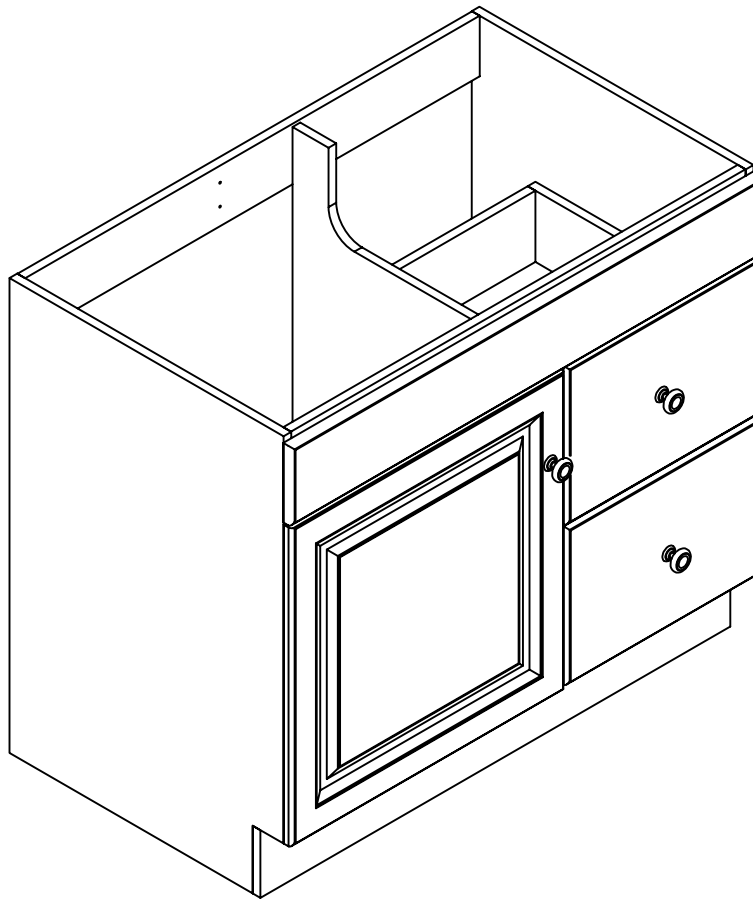




www.todaysdesignhouse.com

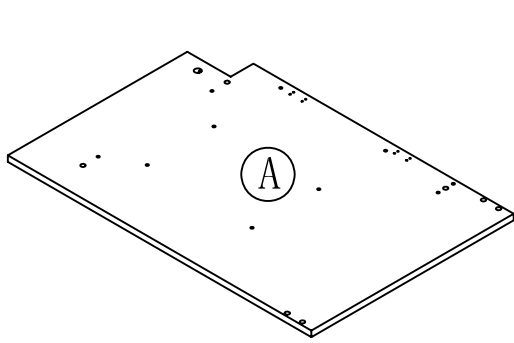


533489 • 532994

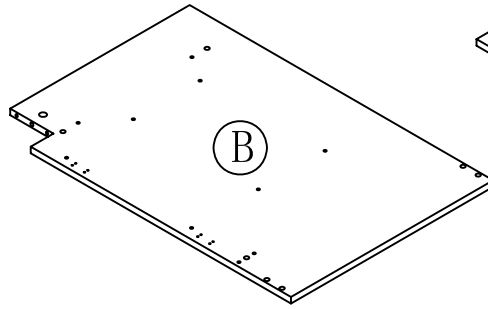
# ASSEMBLY INSTRUCTIONS

DHI Corp. • 5205 W. Donges Bay Rd. • Mequon, WI 53092 • 800.558.8700

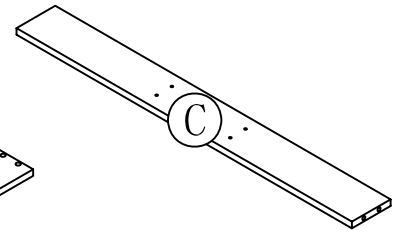
# PARTS LIST:



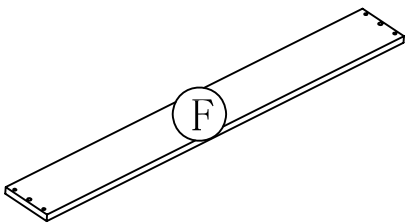
LEFT SIDE PANEL 1PC



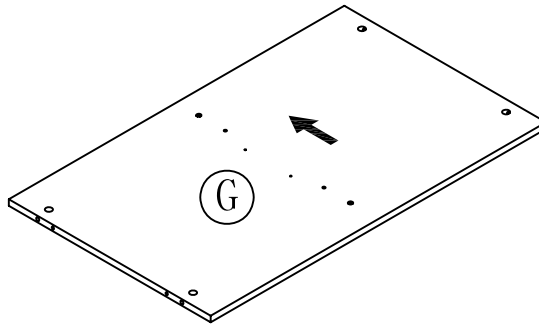
RIGHT SIDE PANEL 1PC



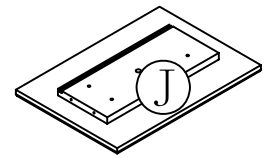
BACK CROSS BRACE 1PC



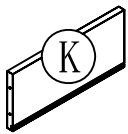
TOE KICK PANEL 1PC



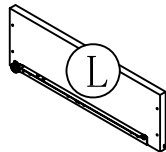
BOTTOM PANEL 1PC



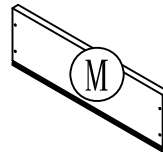
DRAWER FRONT 2PCS



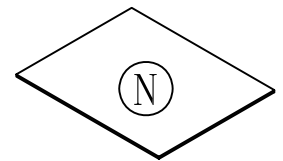
DRAWER BACK PANEL  
2PCS



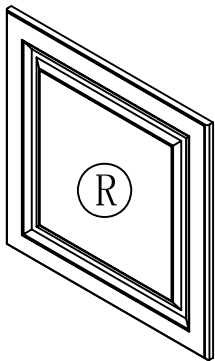
DRAWER LEFT SIDE  
PANEL 2PCS



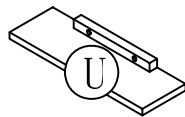
DRAWER RIGHT SIDE  
PANEL 2PCS



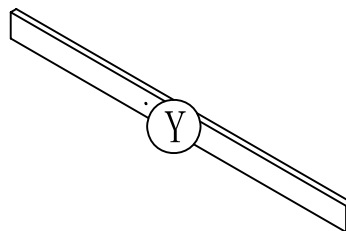
DRAWER BOTTOM  
PANEL 2PCS



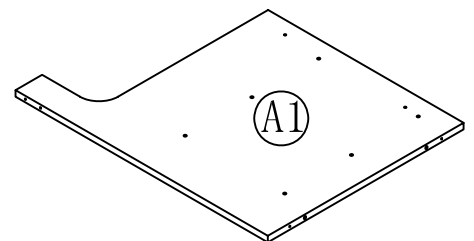
DOOR 1PC



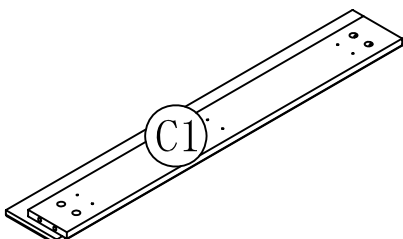
FIXED PANEL 1PC



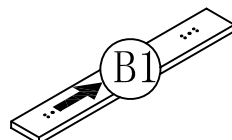
FRONT CROSS BRACE 1PC



BIG PARTITION 1PC



FALSE DRAWER FRONT 1PC

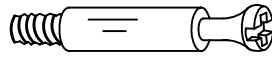


SMALL PARTITION 1PC

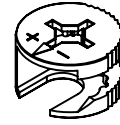
# HARDWARE LIST:



a. WOOD DOWEL 16PCS



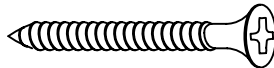
b. CAM LOCK SCREW  
16PCS



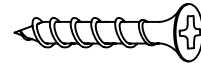
c. CAM LOCK 16PCS



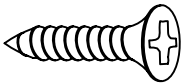
d. 1" L WOOD SCREW 6PCS



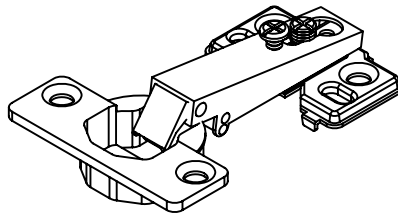
e. 1-1/2" L WOOD  
SCREW 19PCS



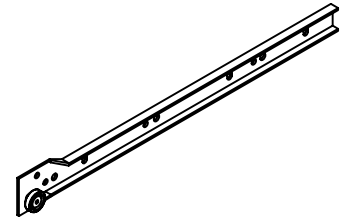
f. 5/8" L FLAT HEAD  
SCREW 12PCS



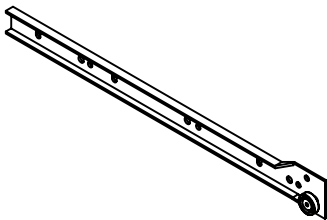
g. 1/2" L WOOD  
SCREW 12PCS



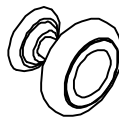
h. HINGE 2PCS



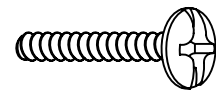
i. LEFT SIDE DRAWER  
GUIDE 2PCS



j. RIGHT SIDE DRAWER  
GUIDE 2PCS



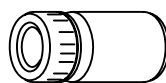
l. KNOB 3PCS



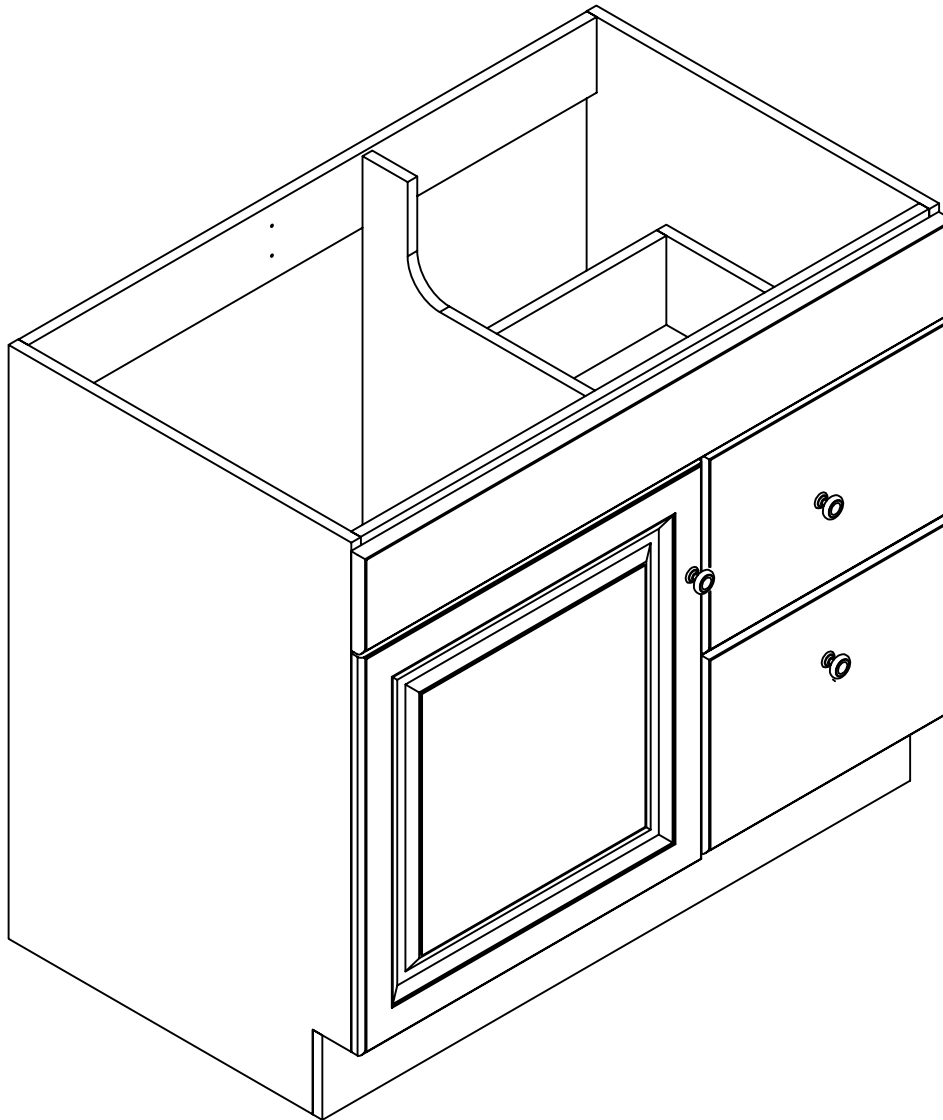
n. KNOB BOLT 3PCS



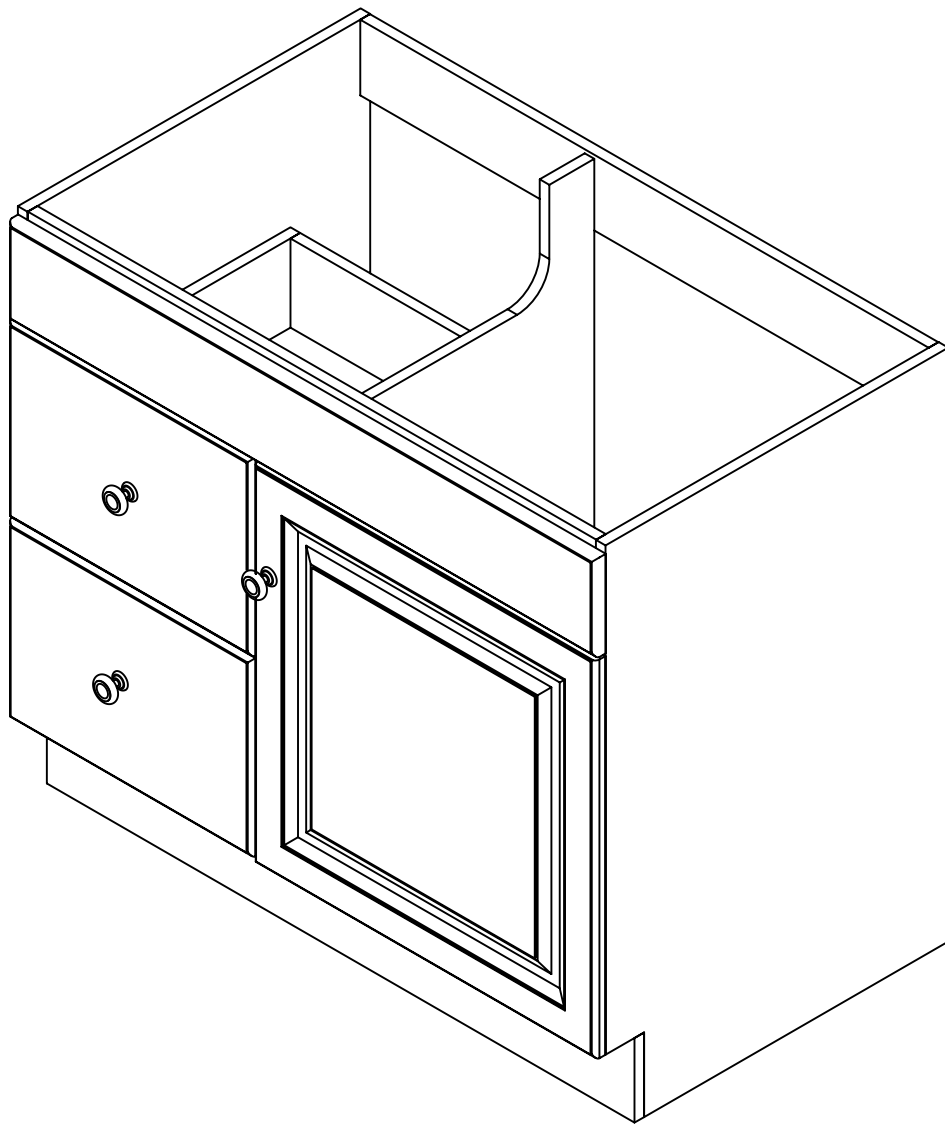
o. WRENCH 1PC



p. GLUE 1PC

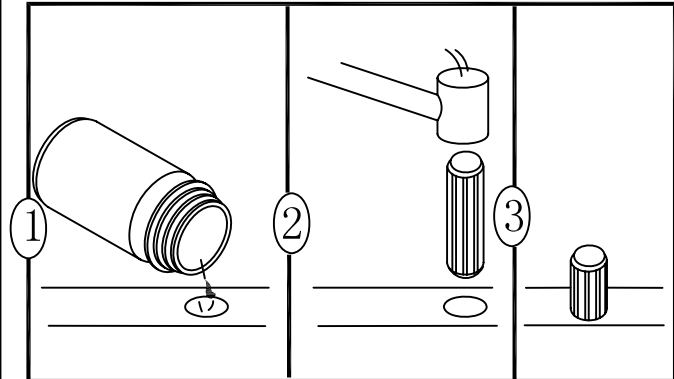
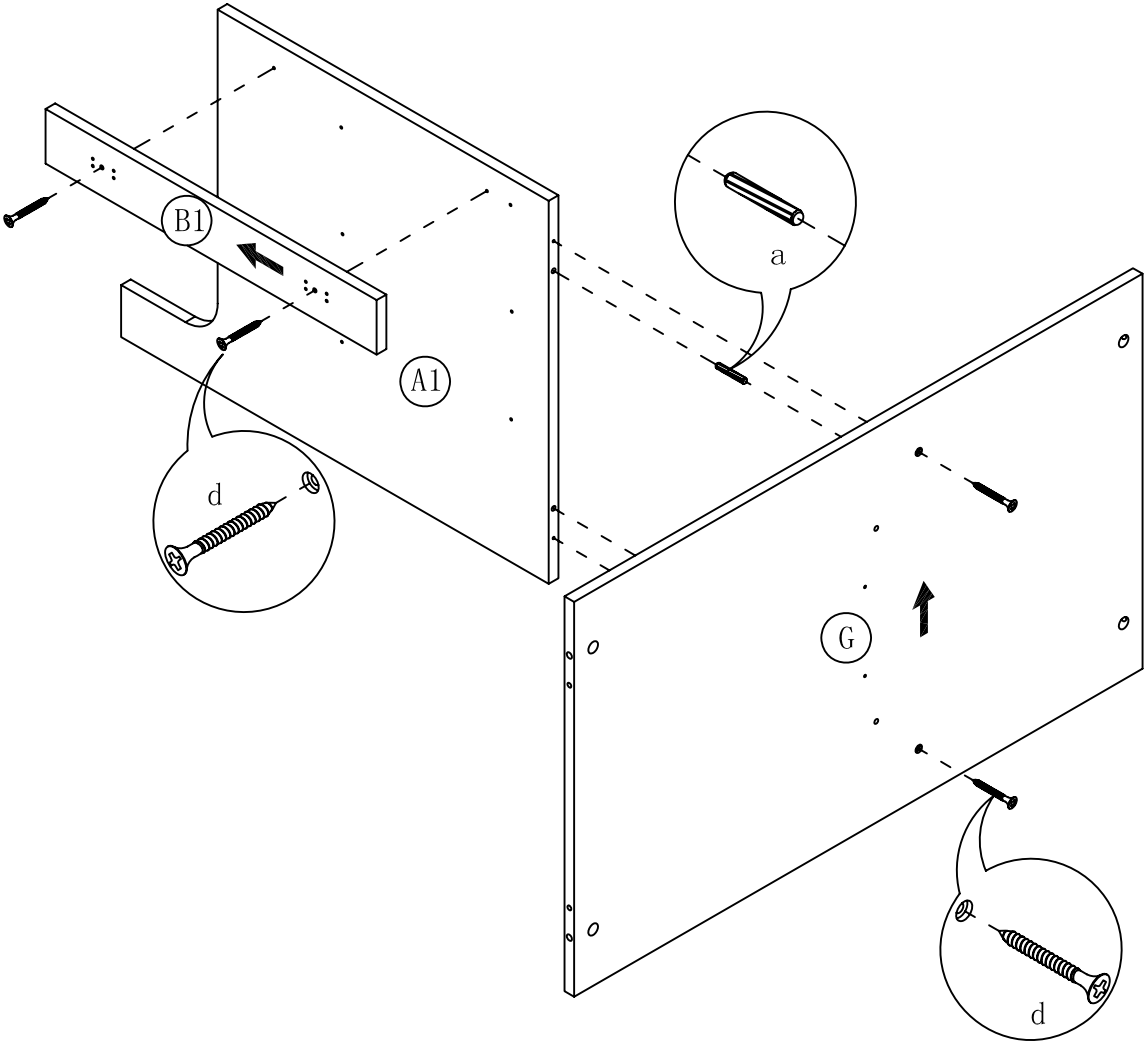
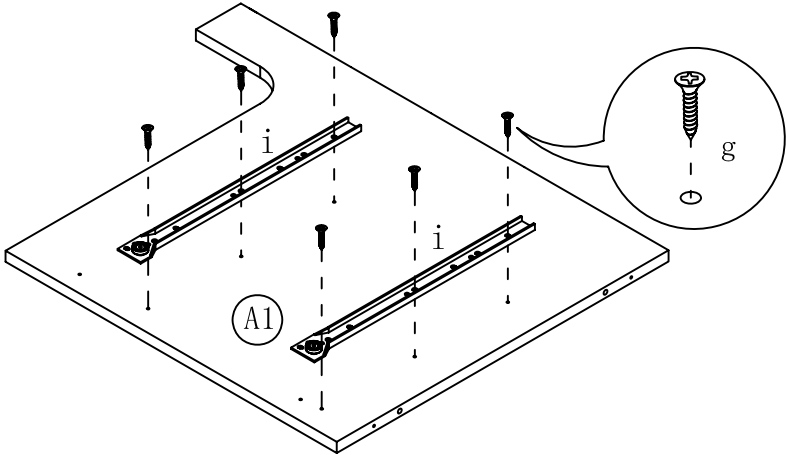


PLEASE FOLLOW STEP1~STEP11 IF YOU  
WOULD LIKE THE DOOR INSTALL ON THE  
LEFT SIDE AND THE DRAWERS INSTALL  
ON THE RIGHT SIDE

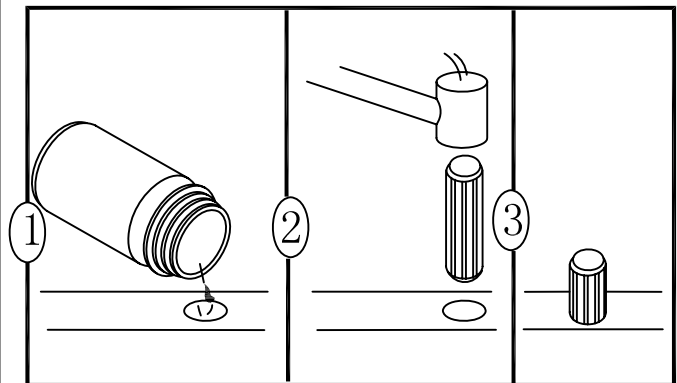
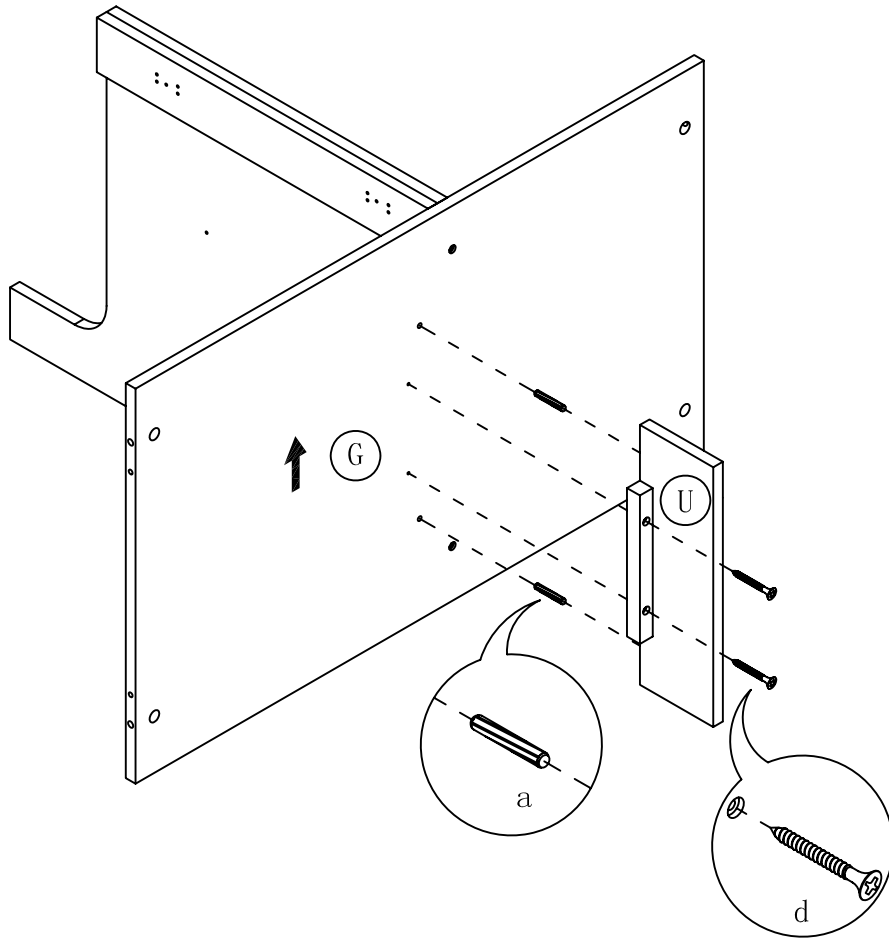


PLEASE FOLLOW STEP12~STEP22 IF YOU  
WOULD LIKE THE DOOR INSTALL ON THE  
RIGHT SIDE AND THE DRAWERS INSTALL  
ON THE LEFT SIDE

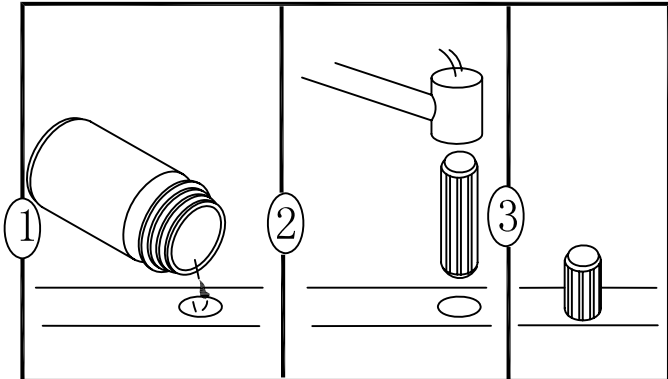
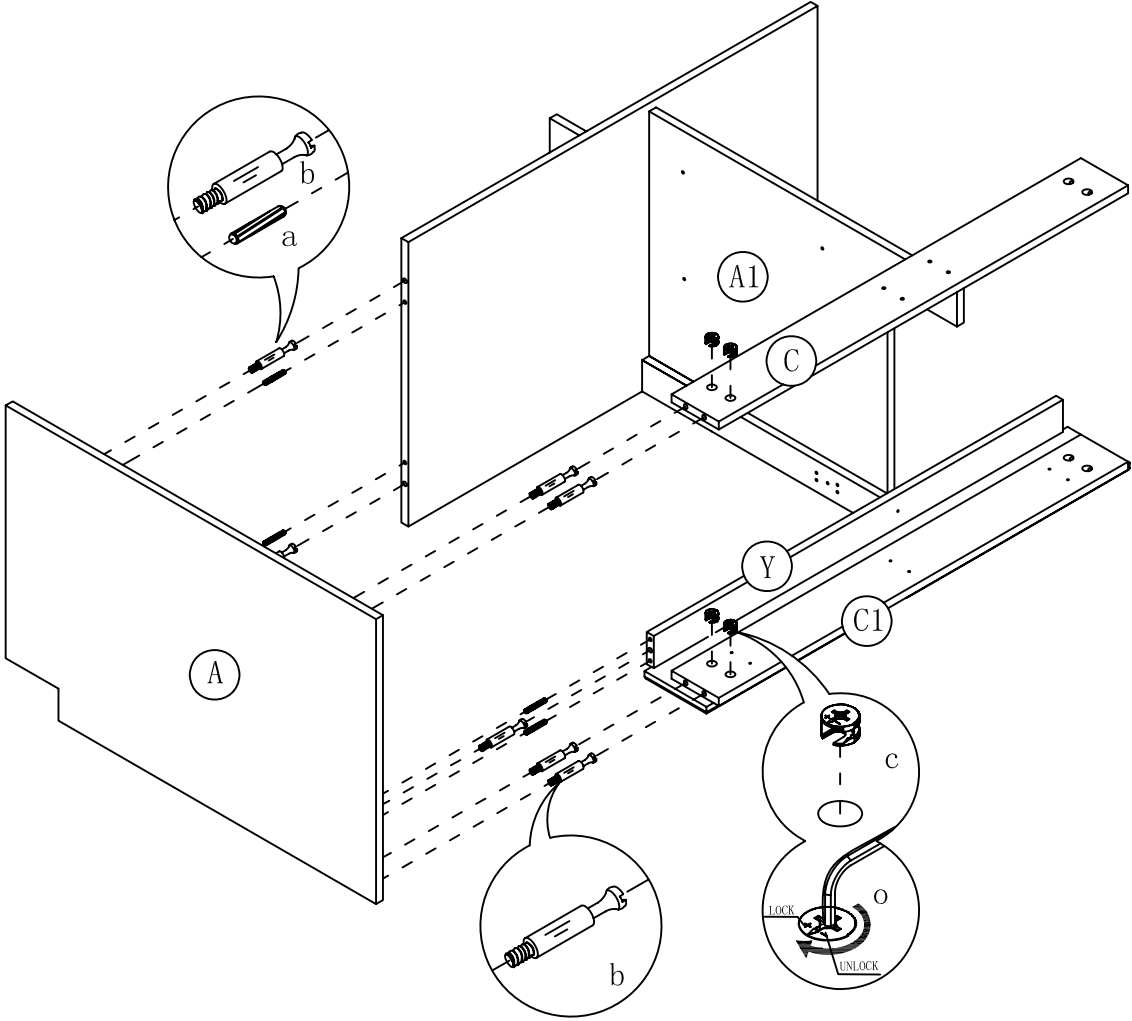
STEP 1



STEP 2

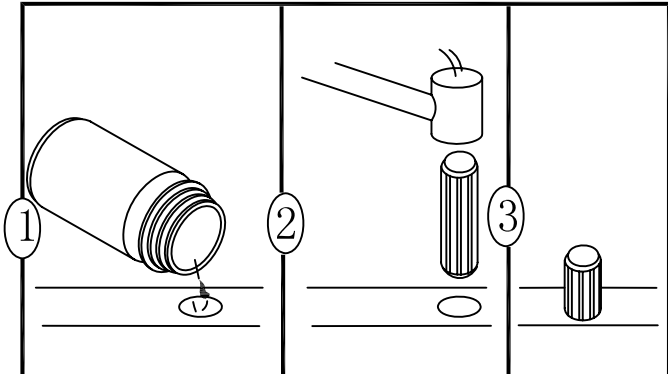
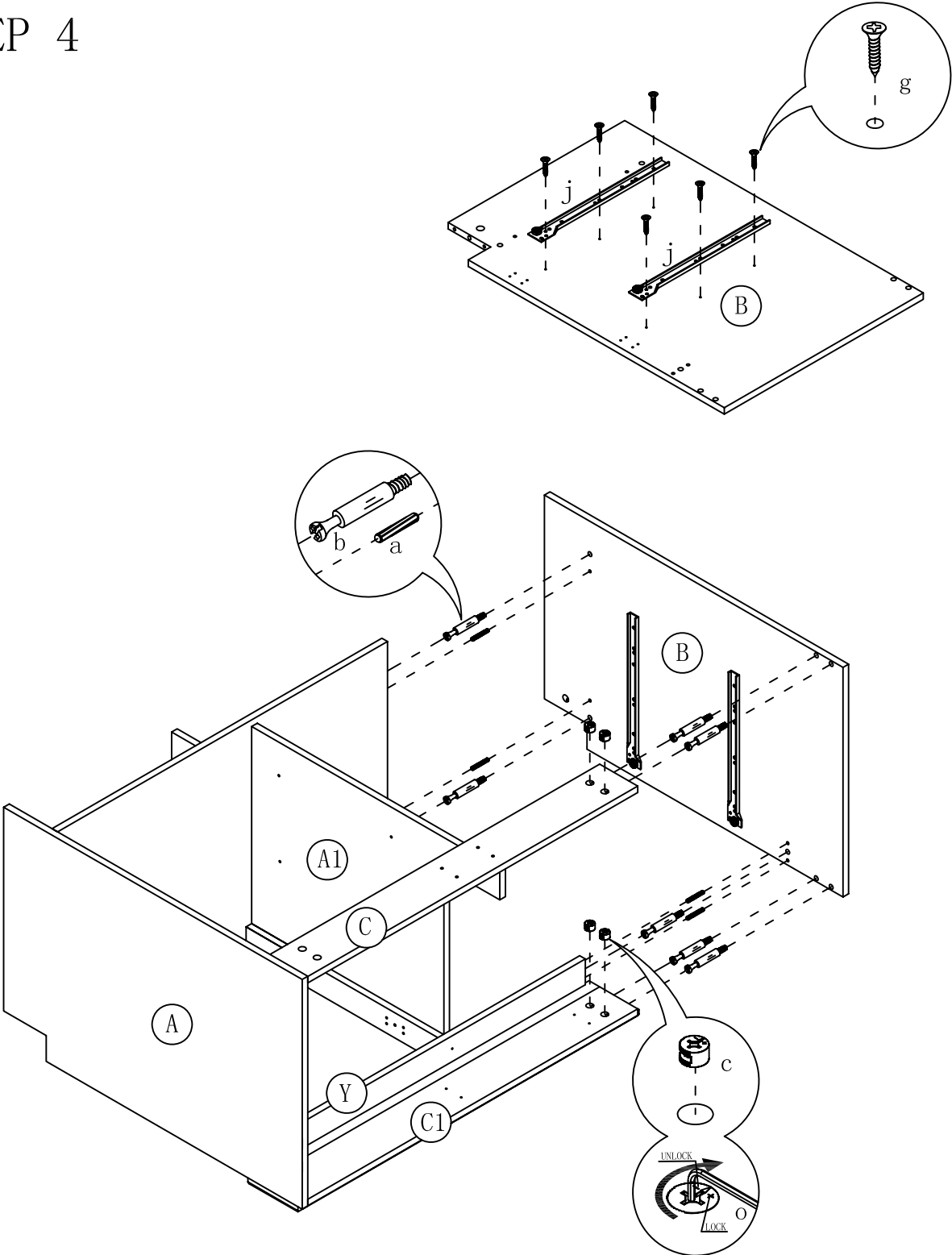


# STEP 3

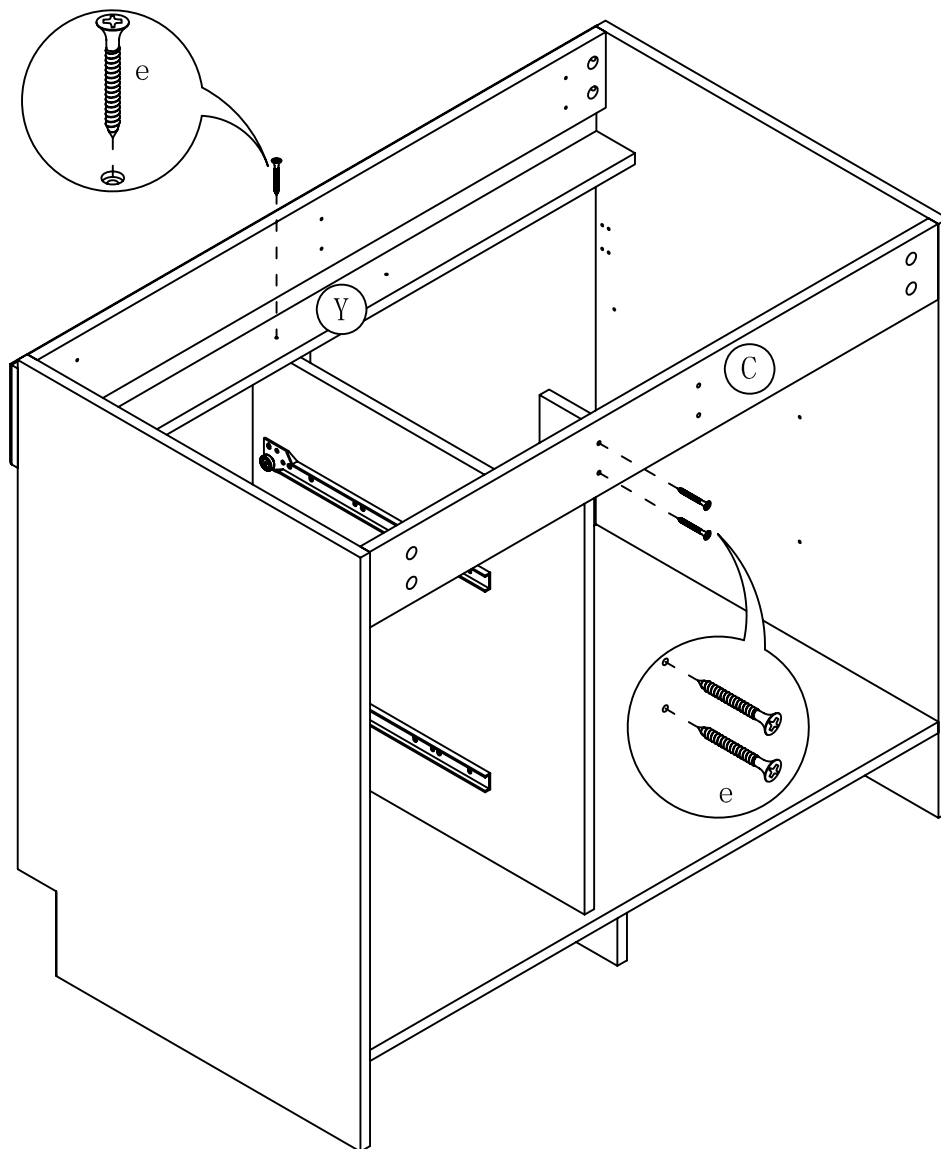




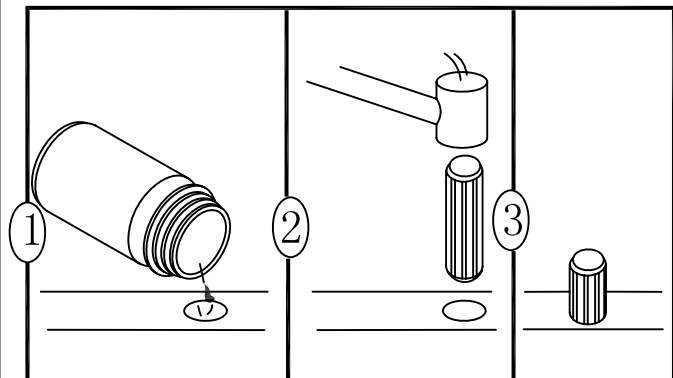
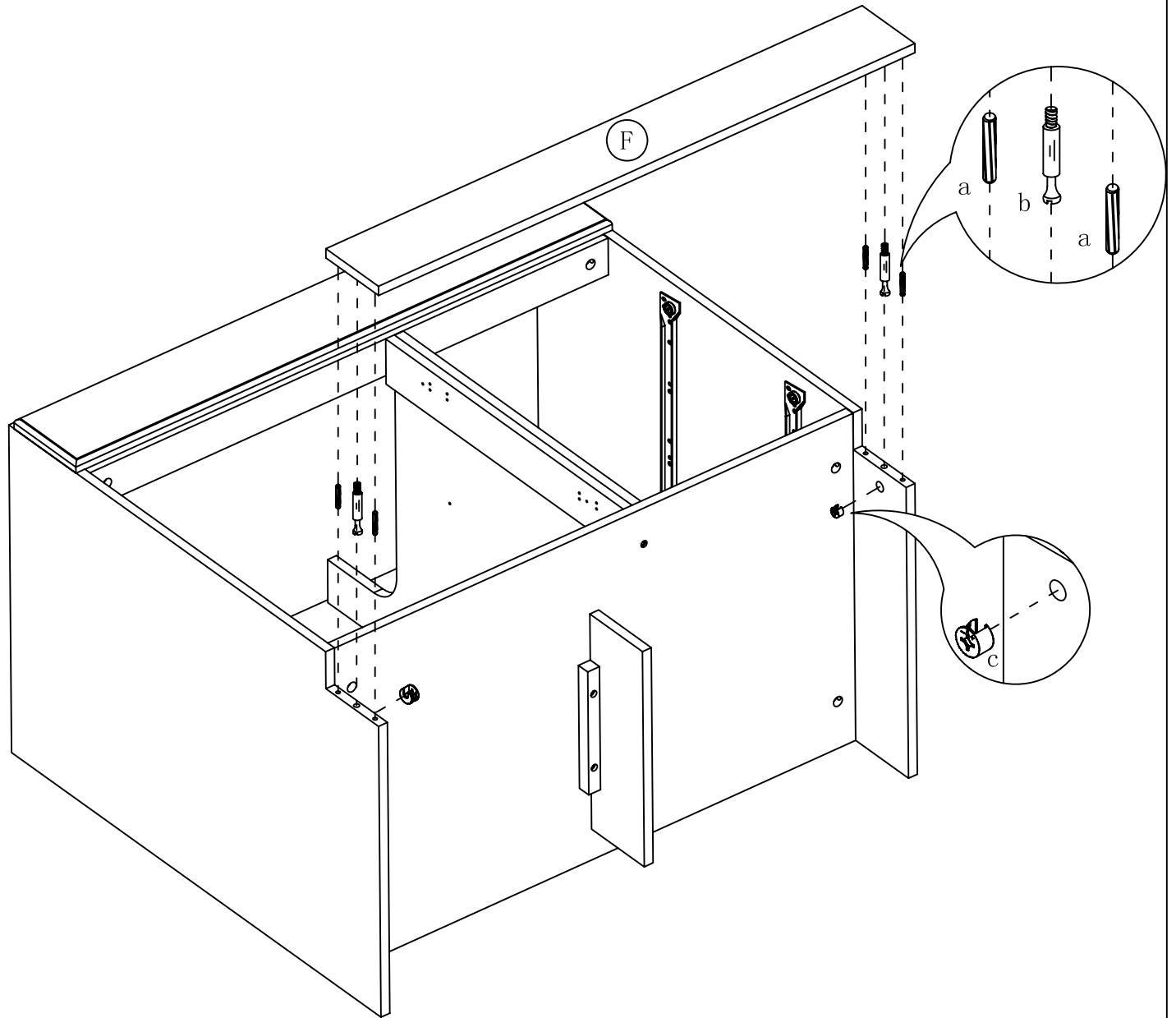
# STEP 4



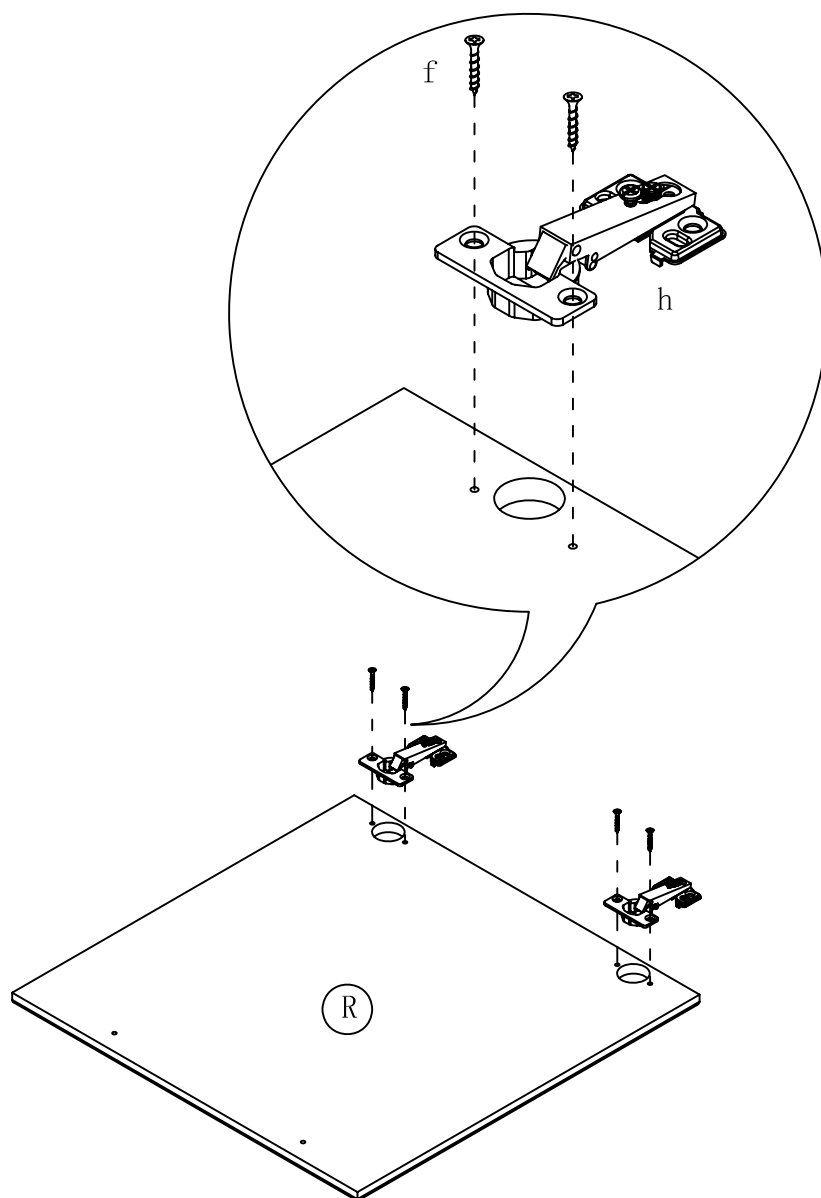
# STEP 5



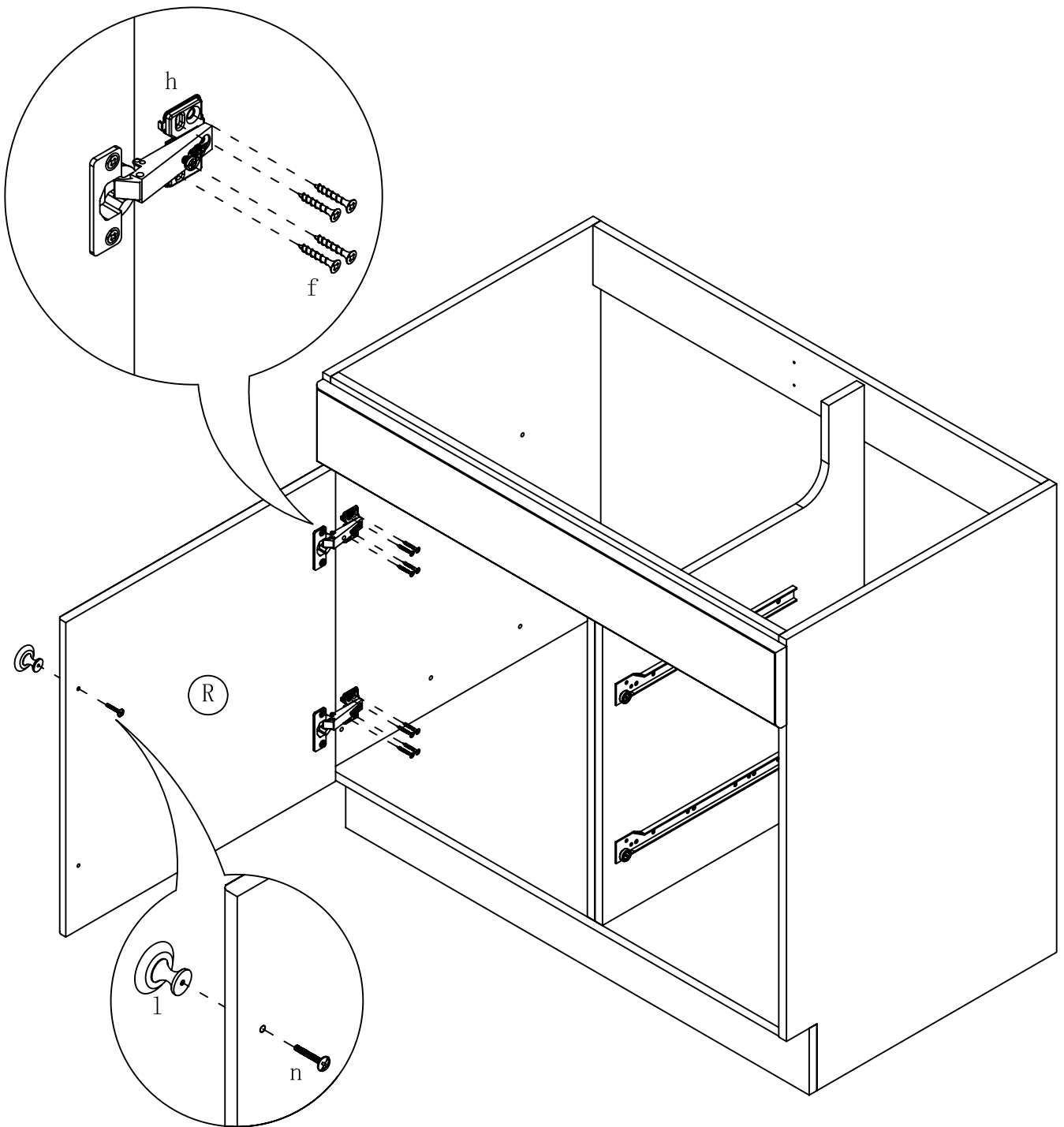
# STEP 6



# STEP 7

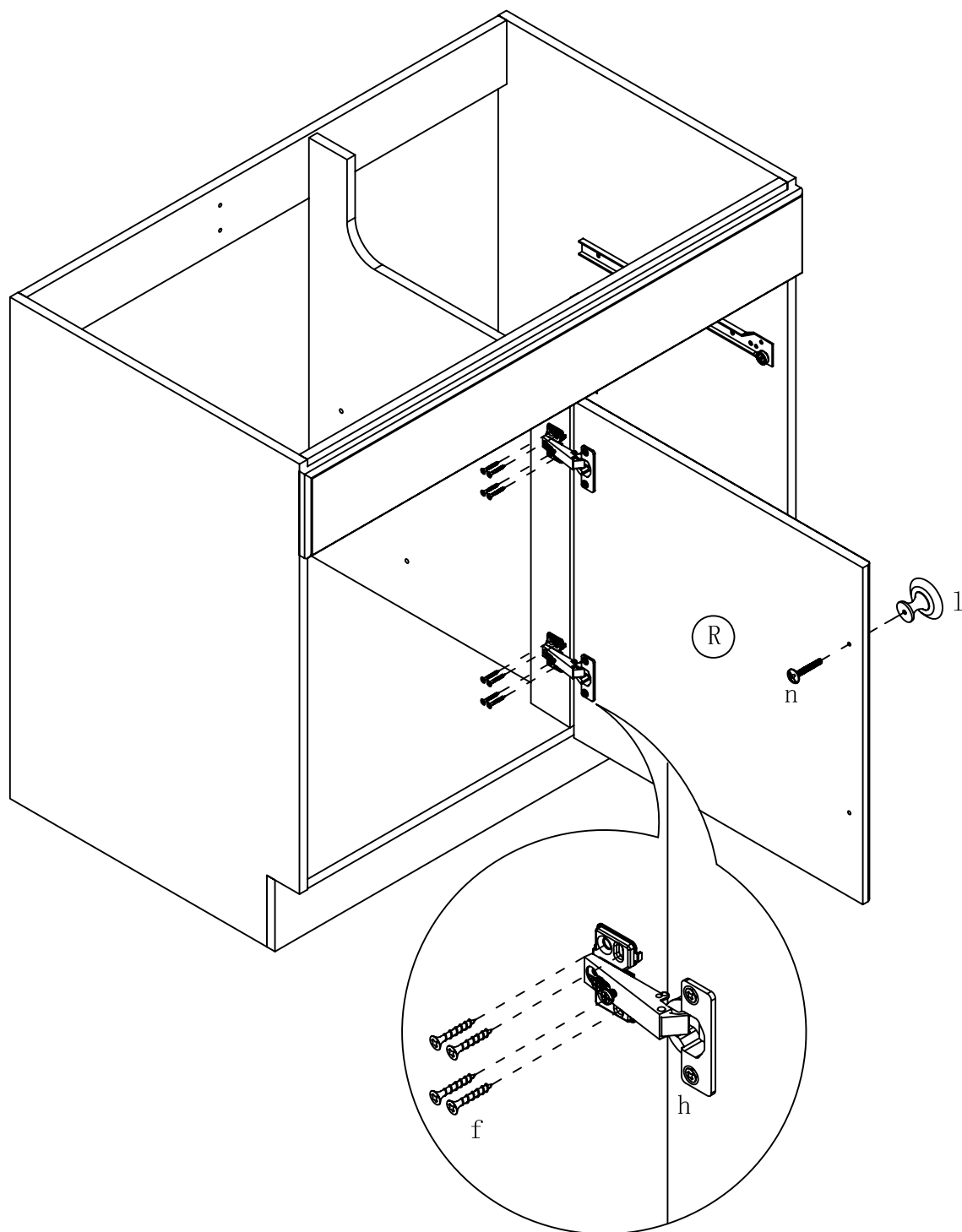


# STEP 8



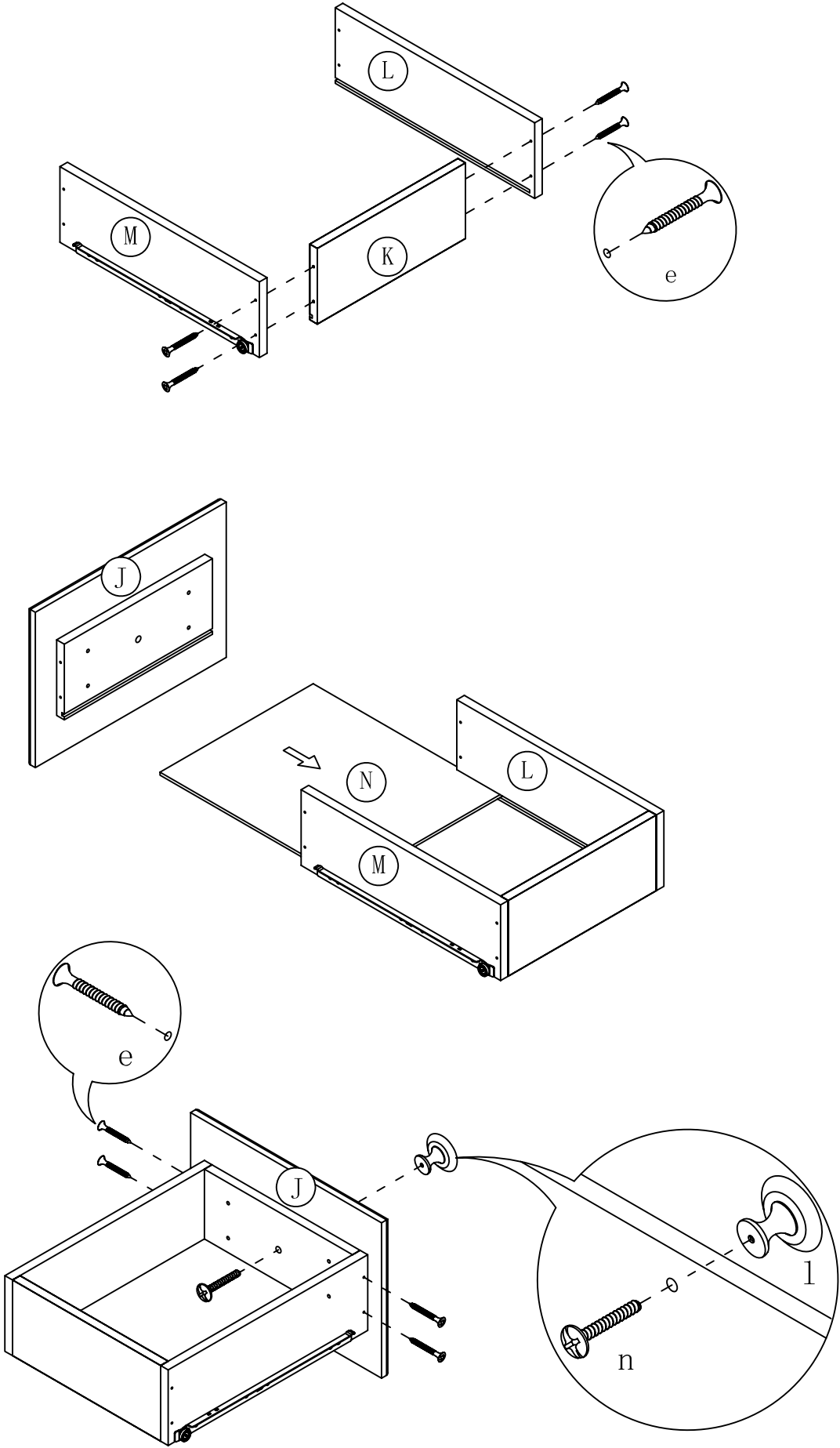
PLEASE FOLLOW STEP 8 IF  
YOU WOULD LIKE THE  
DOOR OPEN FROM THE  
LEFT

# STEP 9

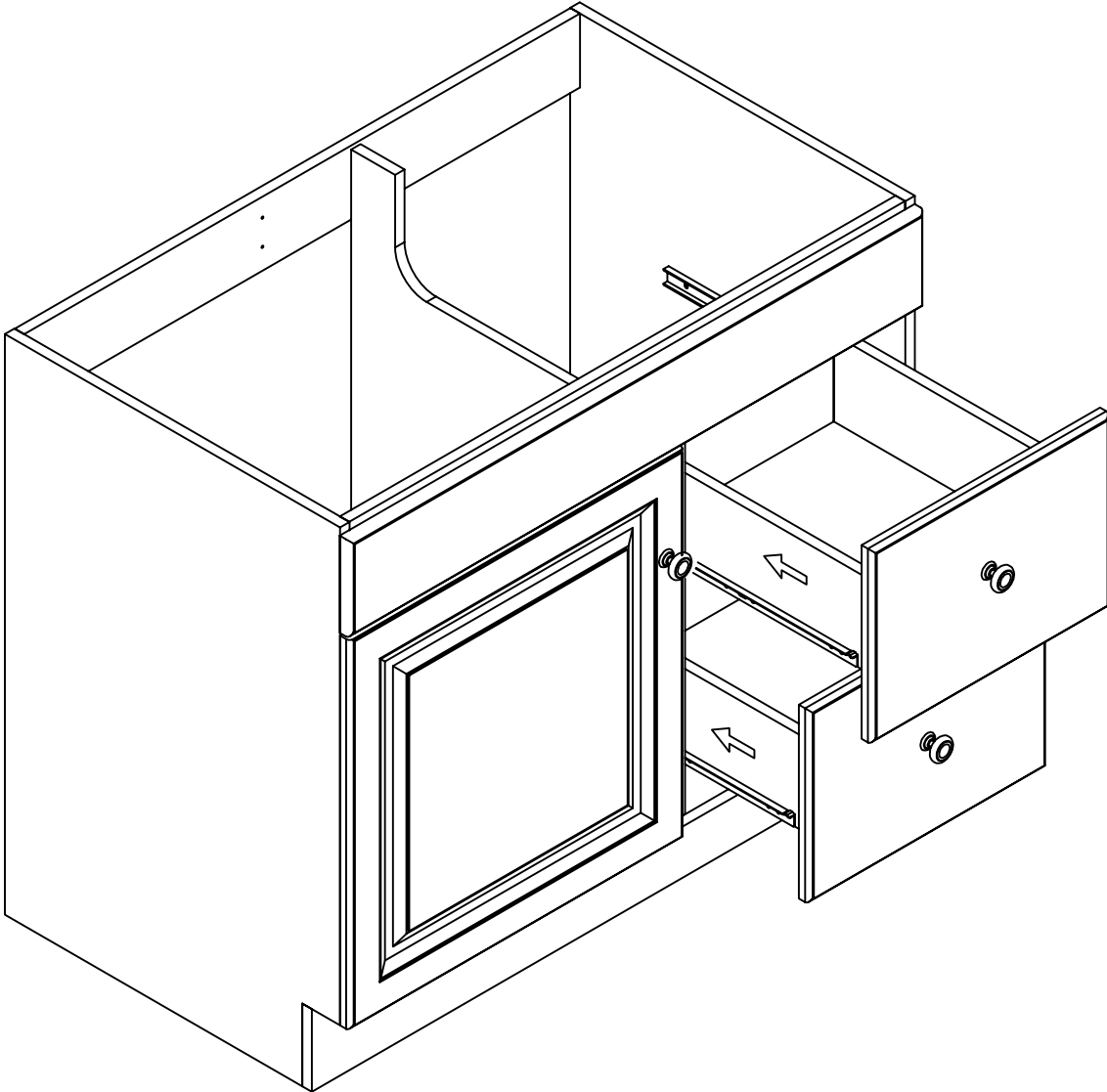


PLEASE FOLLOW STEP 9 IF  
YOU WOULD LIKE THE  
DOOR OPEN FROM THE  
RIGHT

STEP 10

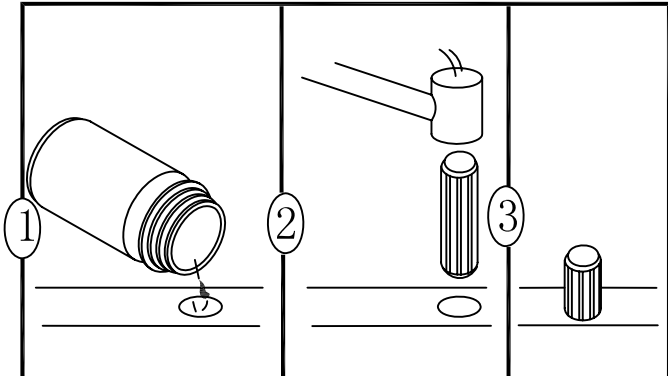
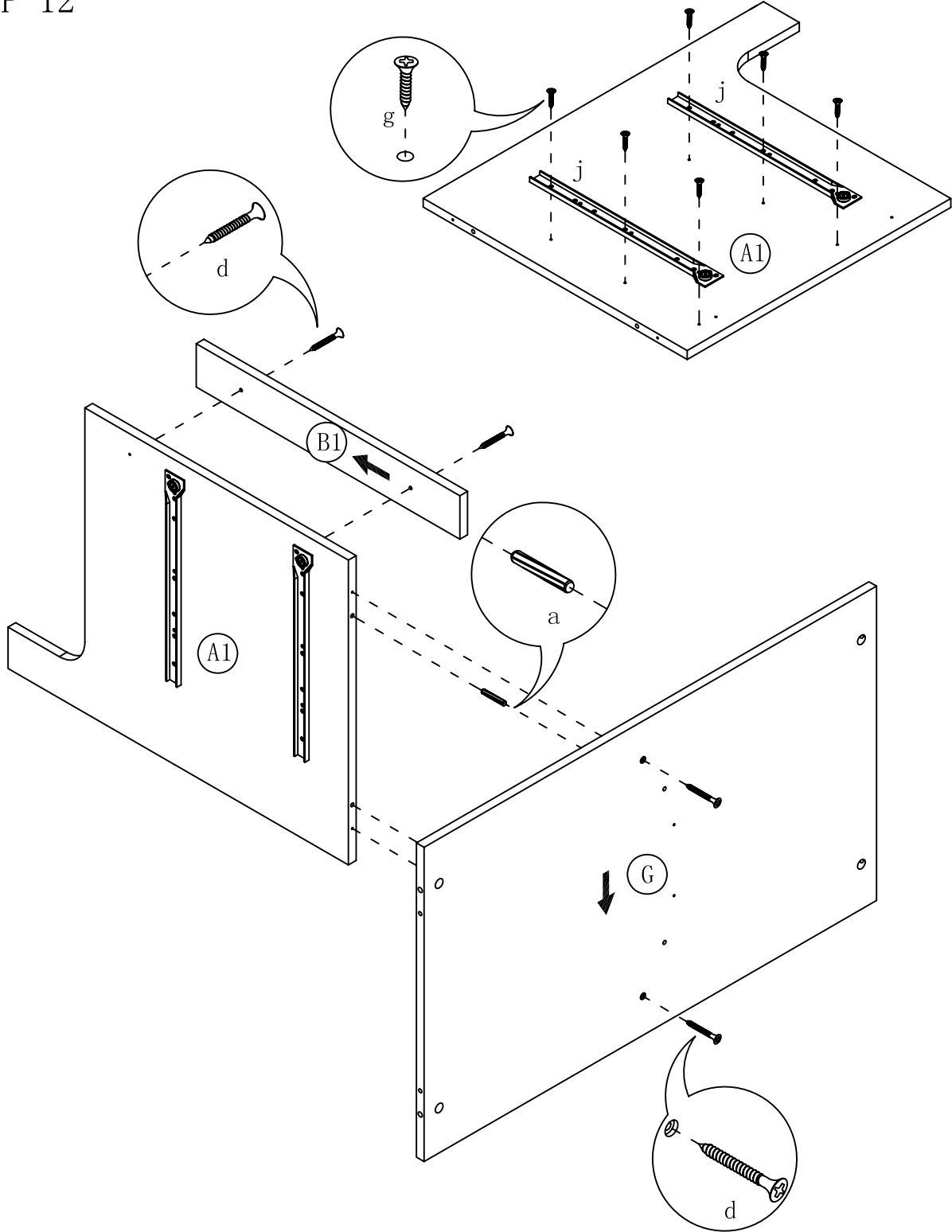


STEP 11

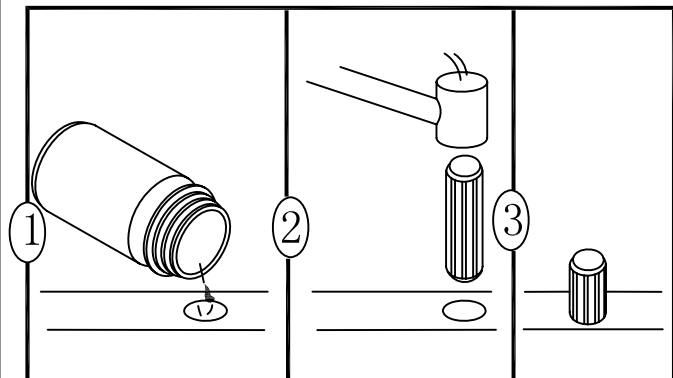
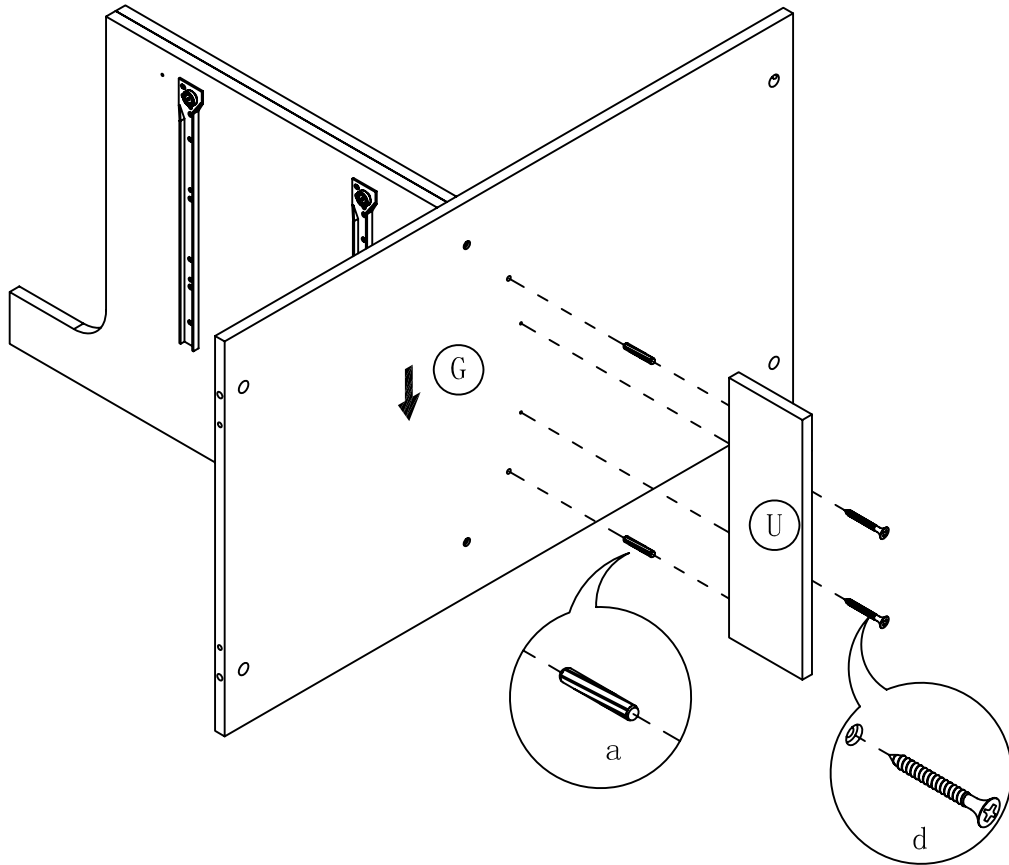




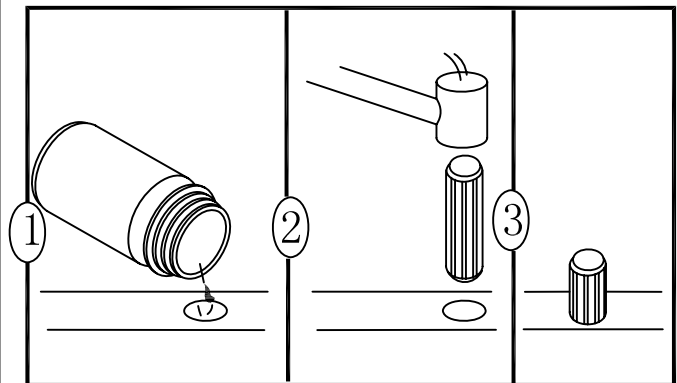
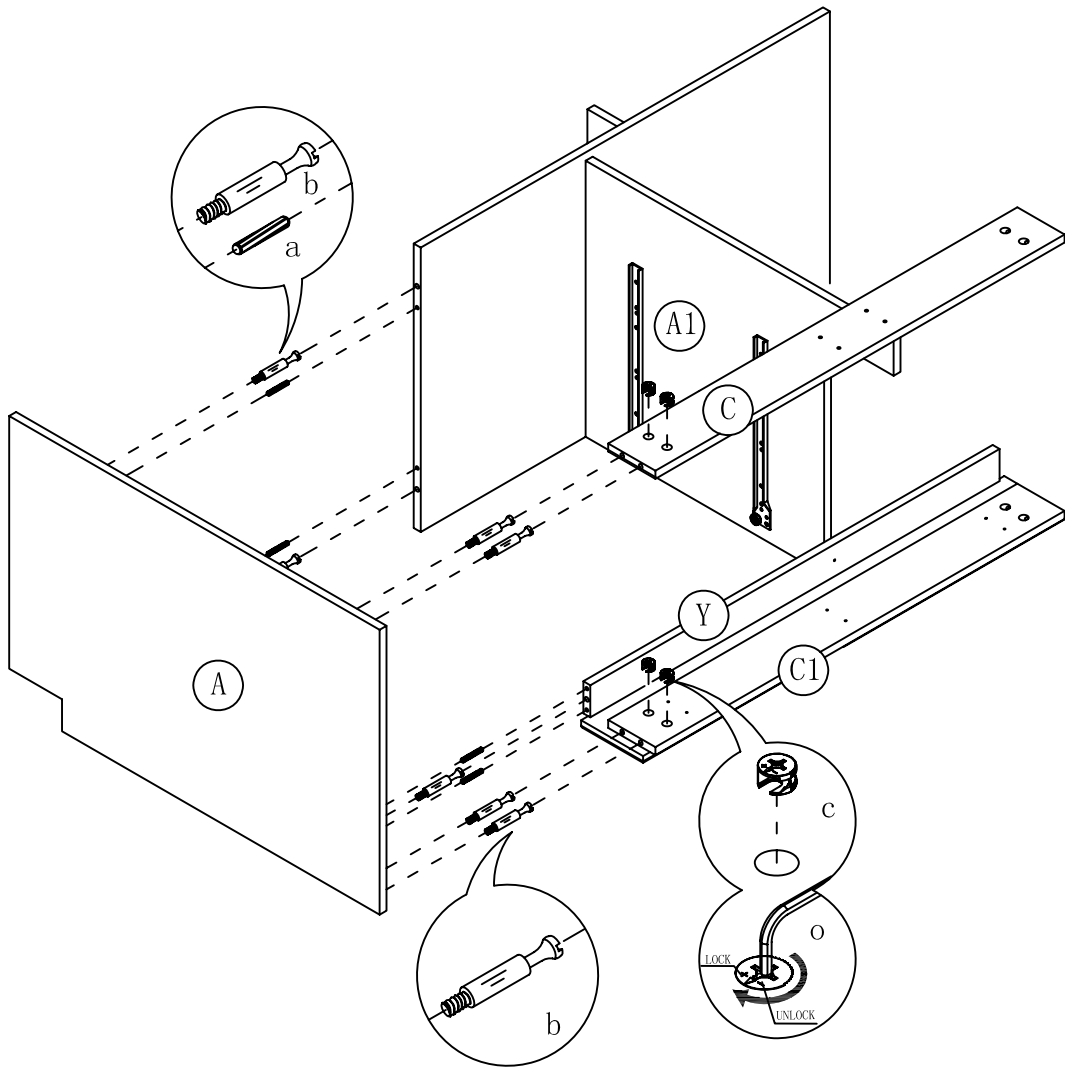
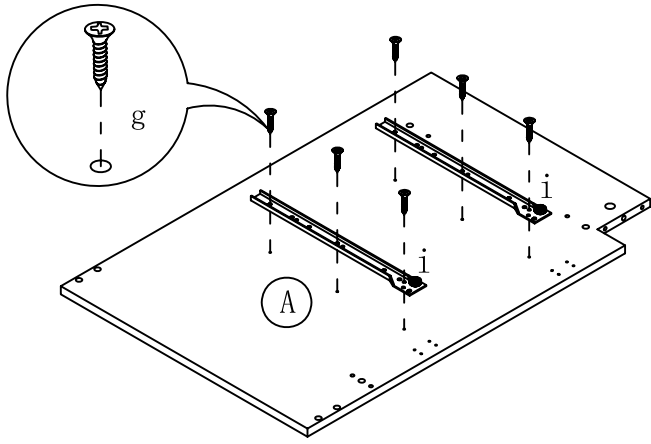
STEP 12



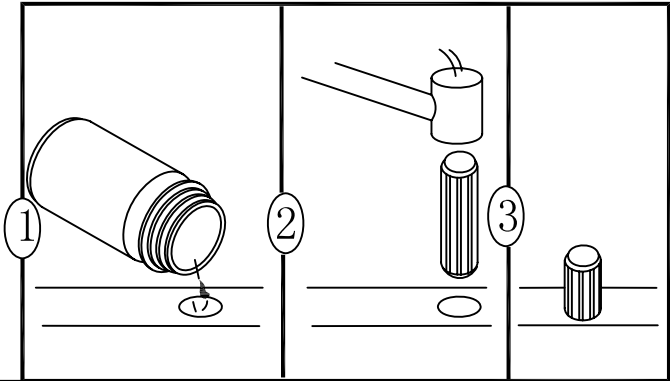
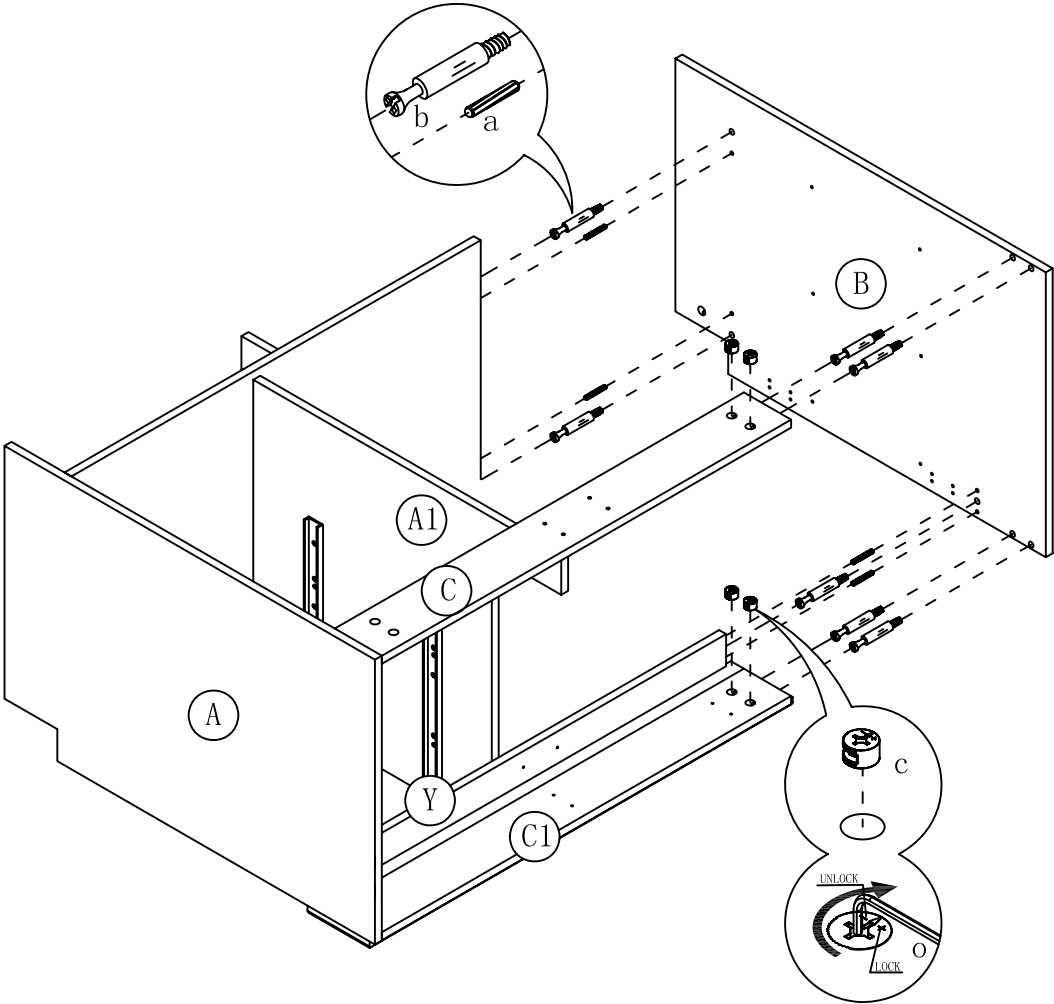
STEP 13



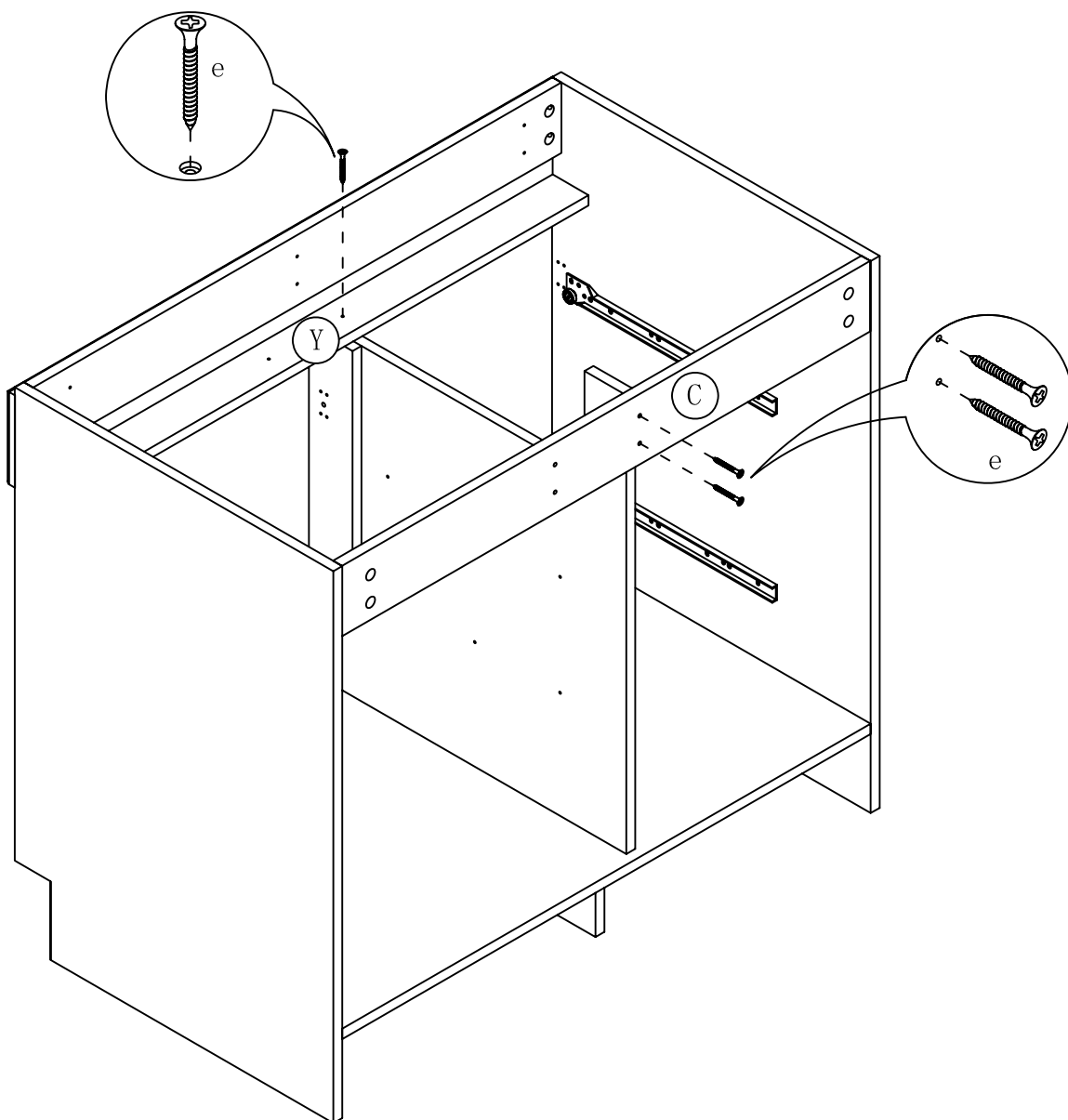
# STEP 14



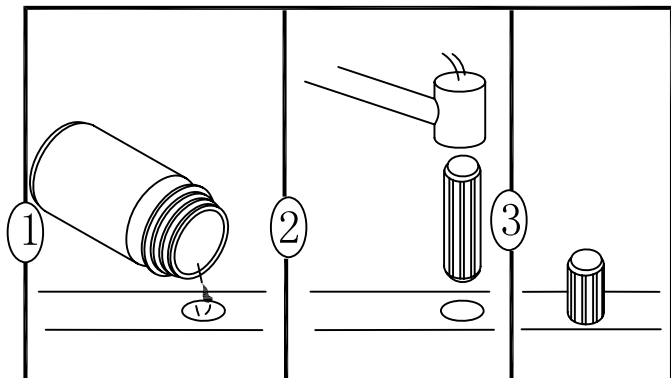
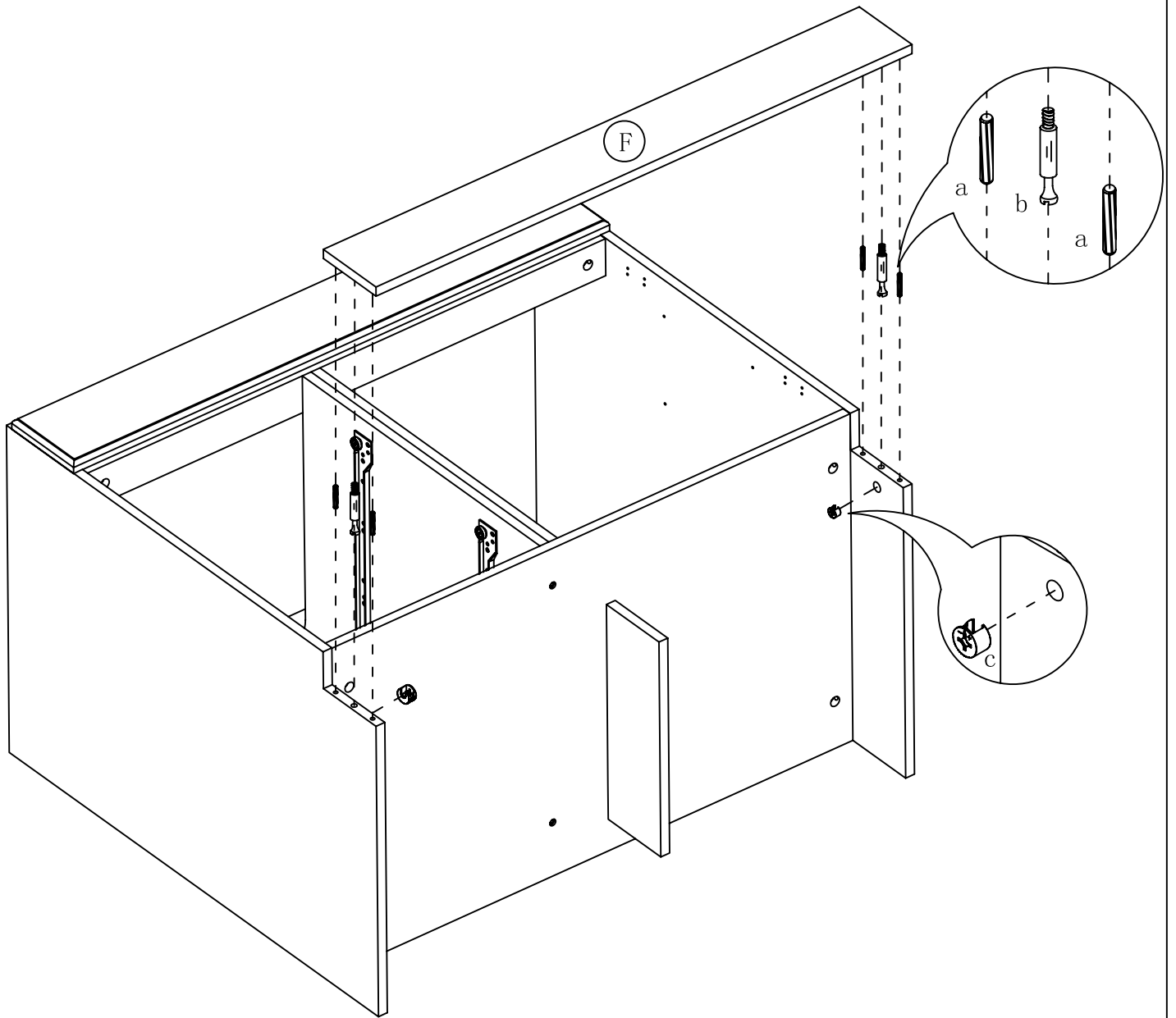
STEP 15



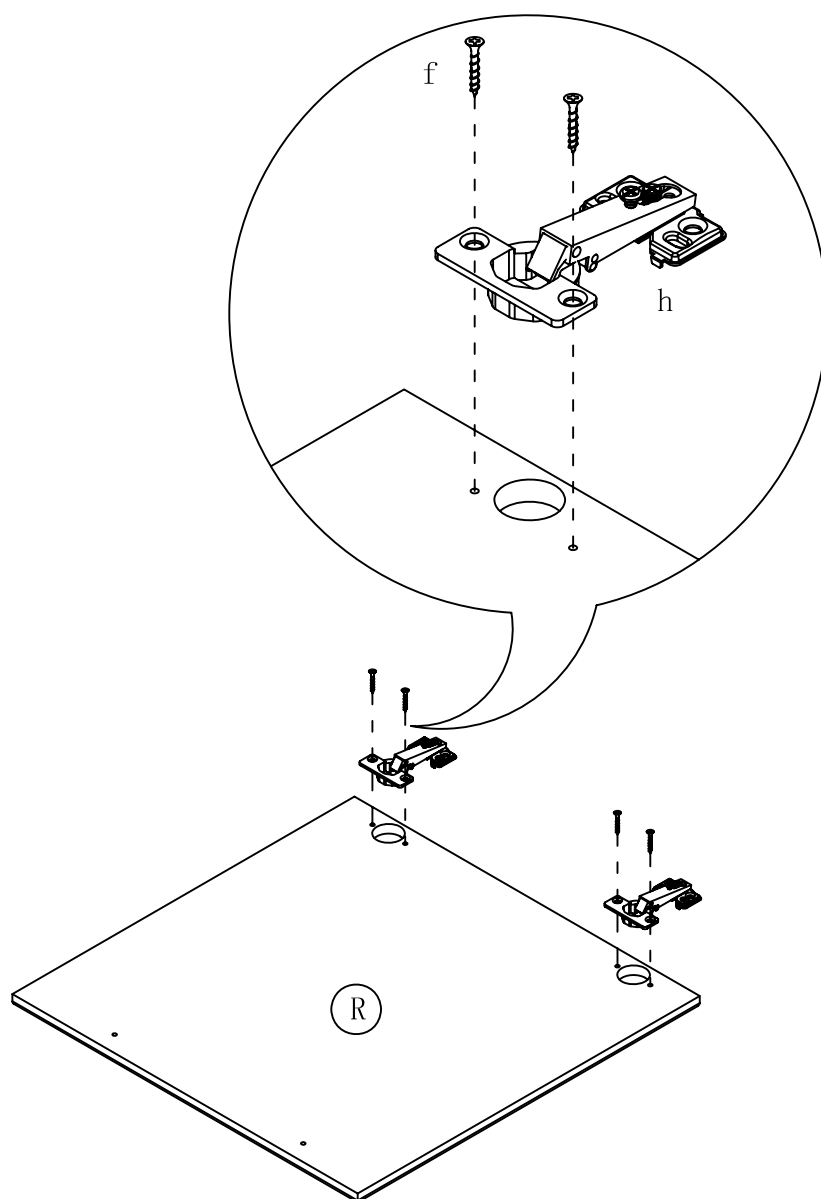
# STEP 16



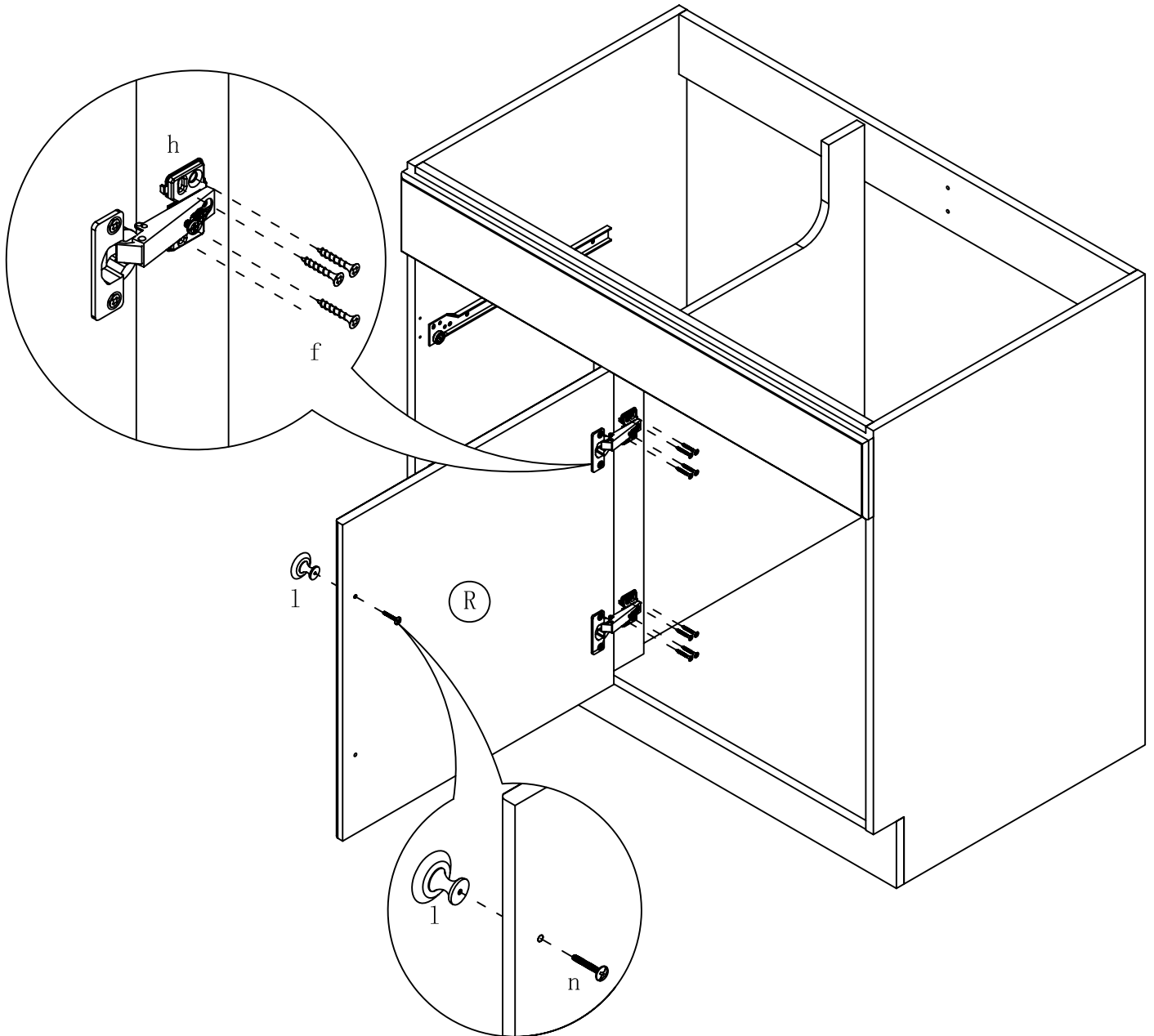
# STEP 17



# STEP 18



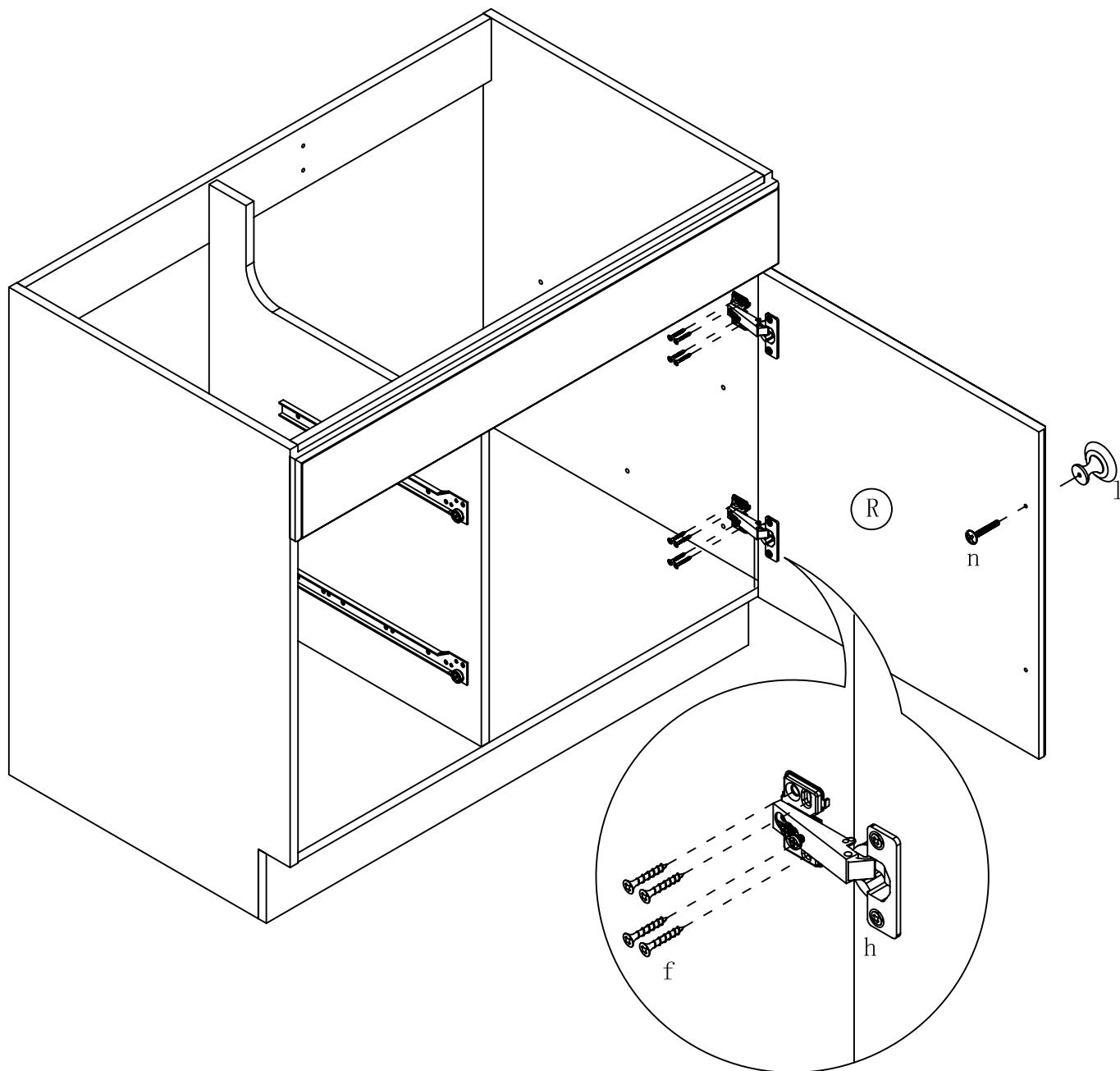
# STEP 19



PLEASE FOLLOW STEP 19 IF  
YOU WOULD LIKE THE  
DOOR OPEN FROM THE  
LEFT

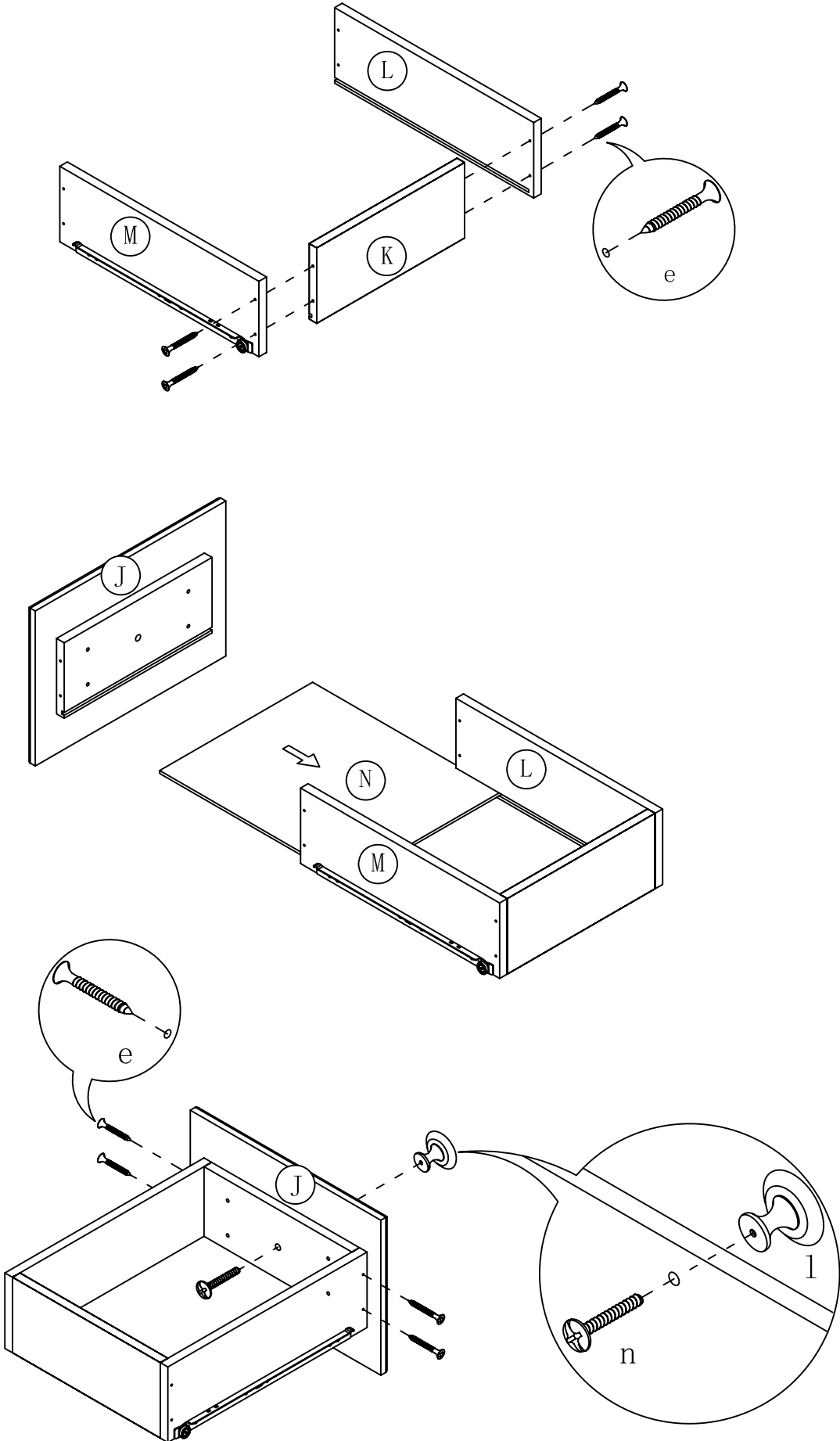


# STEP 20



PLEASE FOLLOW STEP 20 IF  
YOU WOULD LIKE THE  
DOOR OPEN FROM THE  
RIGHT

STEP 21



STEP 22

