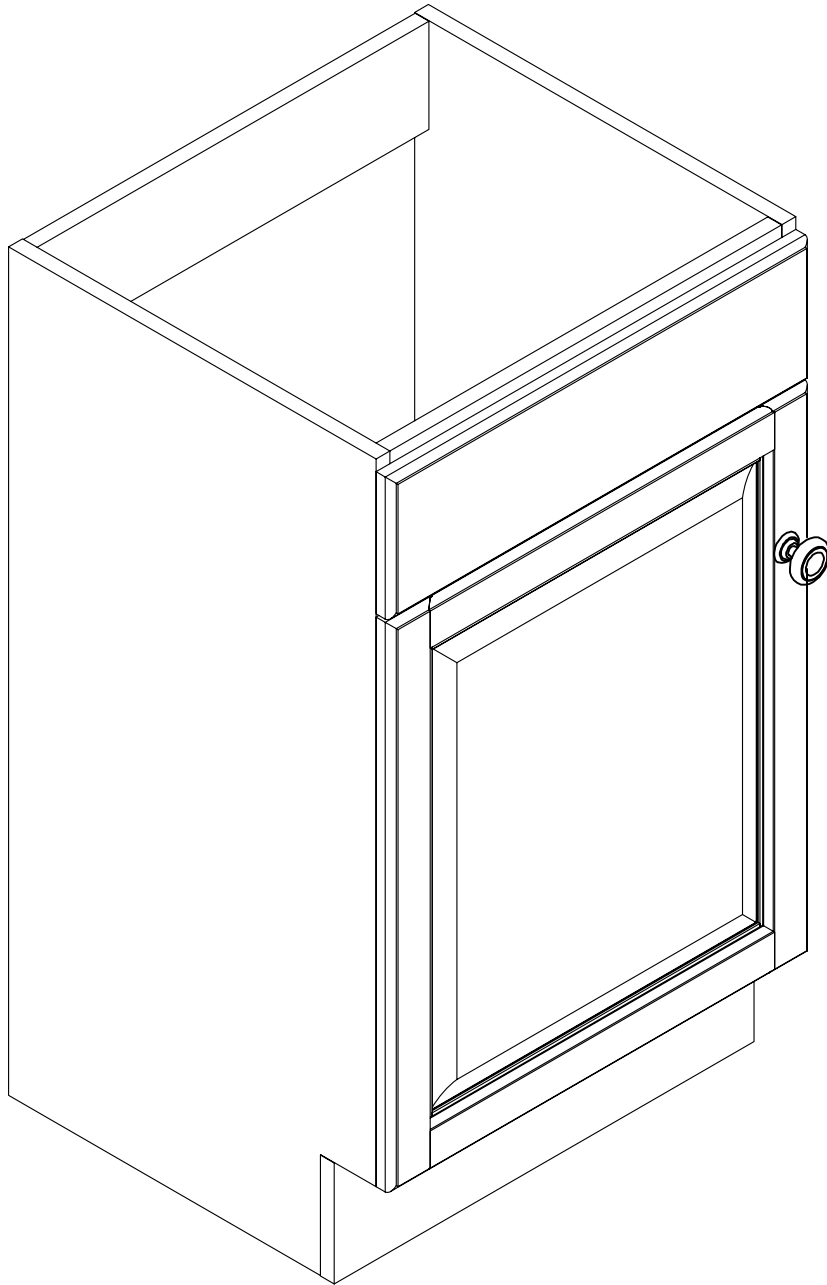




[www.todaysdesignhouse.com](http://www.todaysdesignhouse.com)

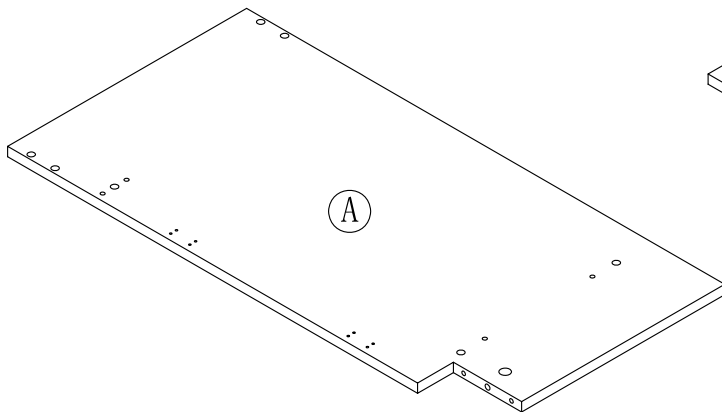


531970

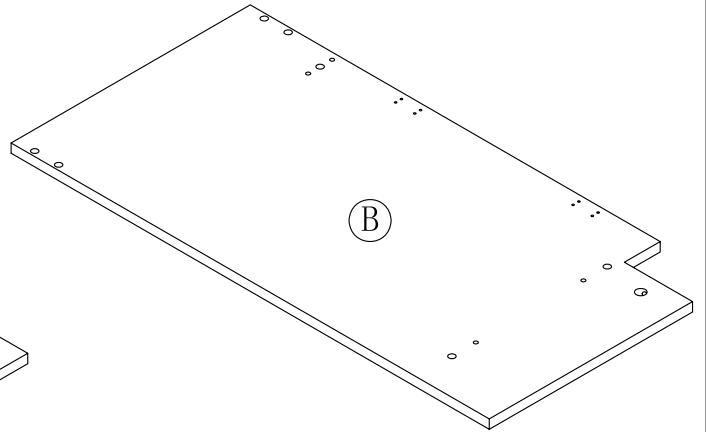
# ASSEMBLY INSTRUCTIONS

DHI Corp. • 5205 W. Donges Bay Rd. • Mequon, WI 53092 • 800.558.8700

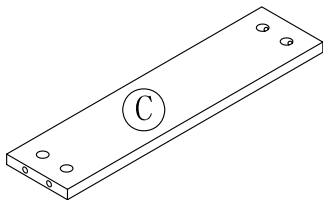
# PARTS LIST:



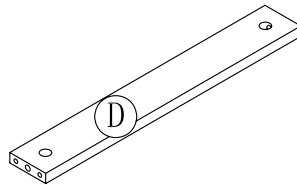
LEFT SIDE PANEL 1PC



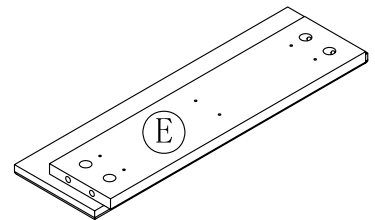
RIGHT SIDE PANEL 1PC



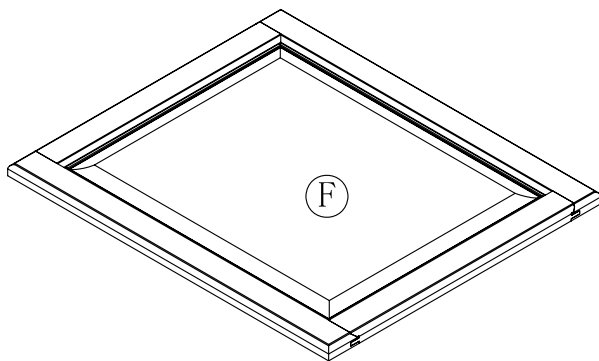
BACK CROSS BRACE 1PC



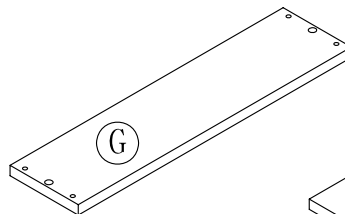
FRONT CROSS BRACE 1PC



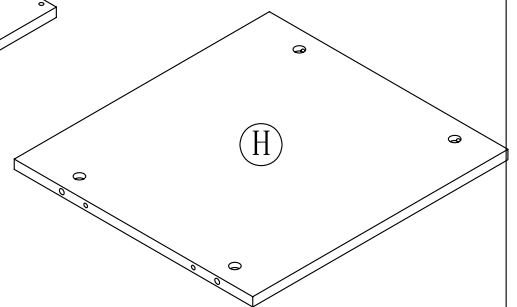
FALSE DRAWER FRONT 1PC



DOOR 1PC



TOE KICK PANEL 1PC

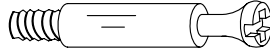


BOTTOM PANEL 1PC

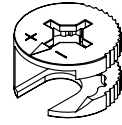
# HARDWARE LIST:



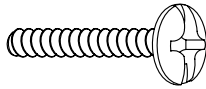
a. WOOD DOWEL 12PCS



b. CAM LOCK SCREW 16PCS



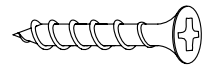
c. CAM LOCK 16PCS



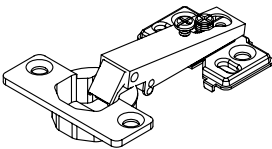
d. KNOB BOLT 1PC



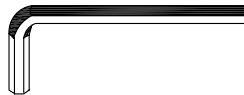
e. KNOB 1PC



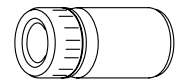
f. 5/8" L FLAT HEAD SCREW 12PCS



g. HINGE 2PCS

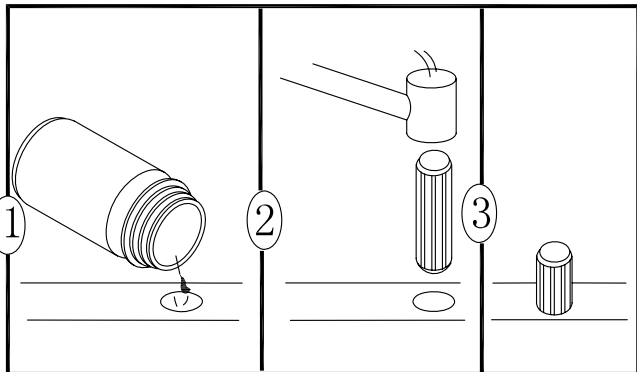
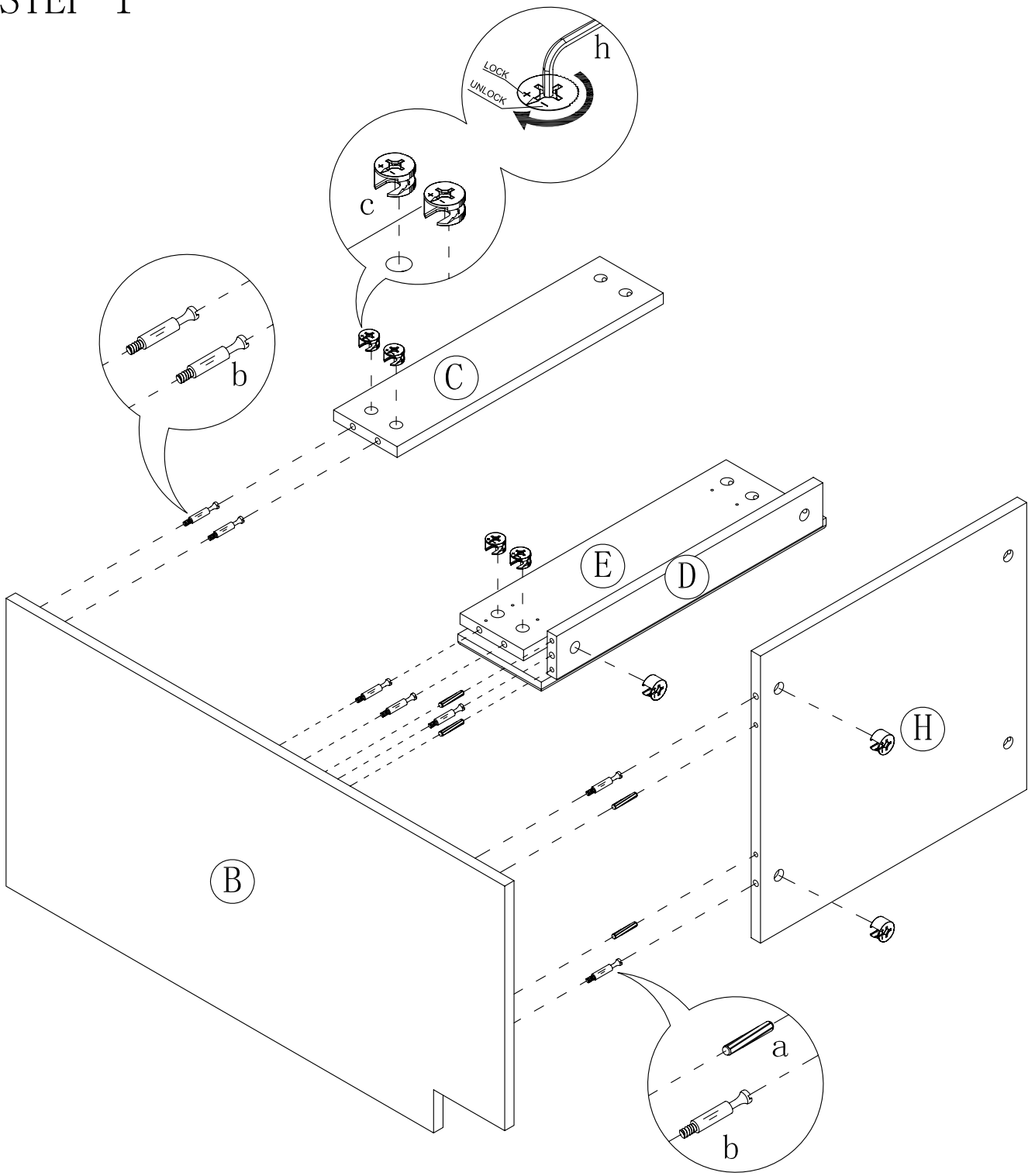


h. WRENCH 1PC

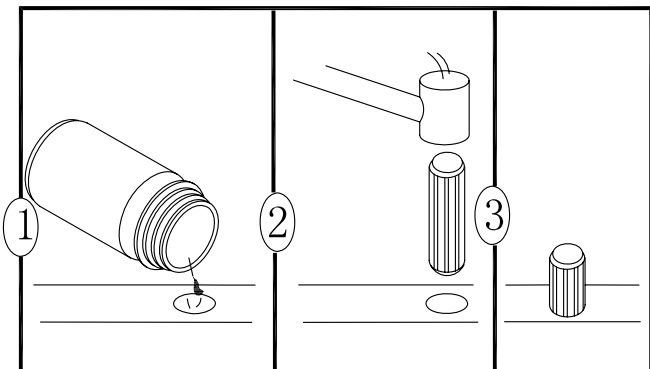
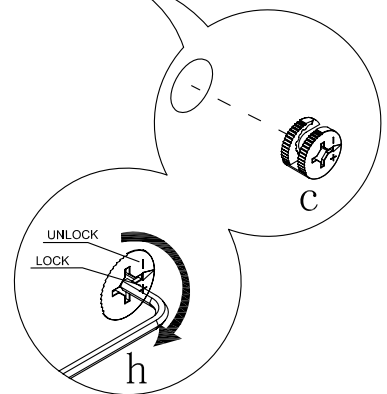
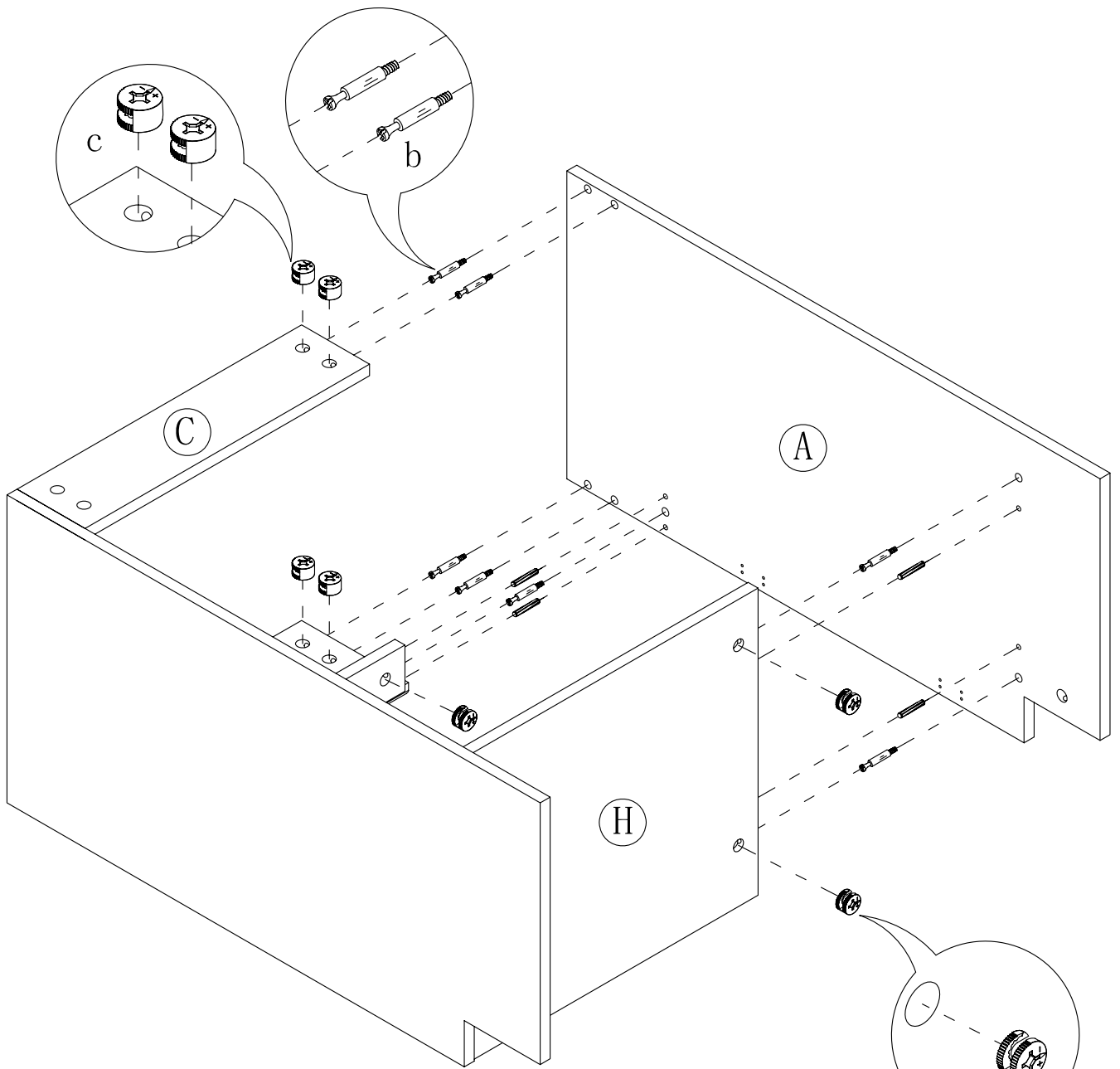


i. GLUE 1PC

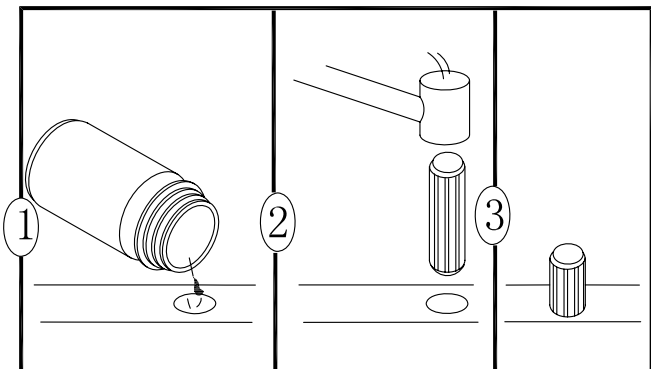
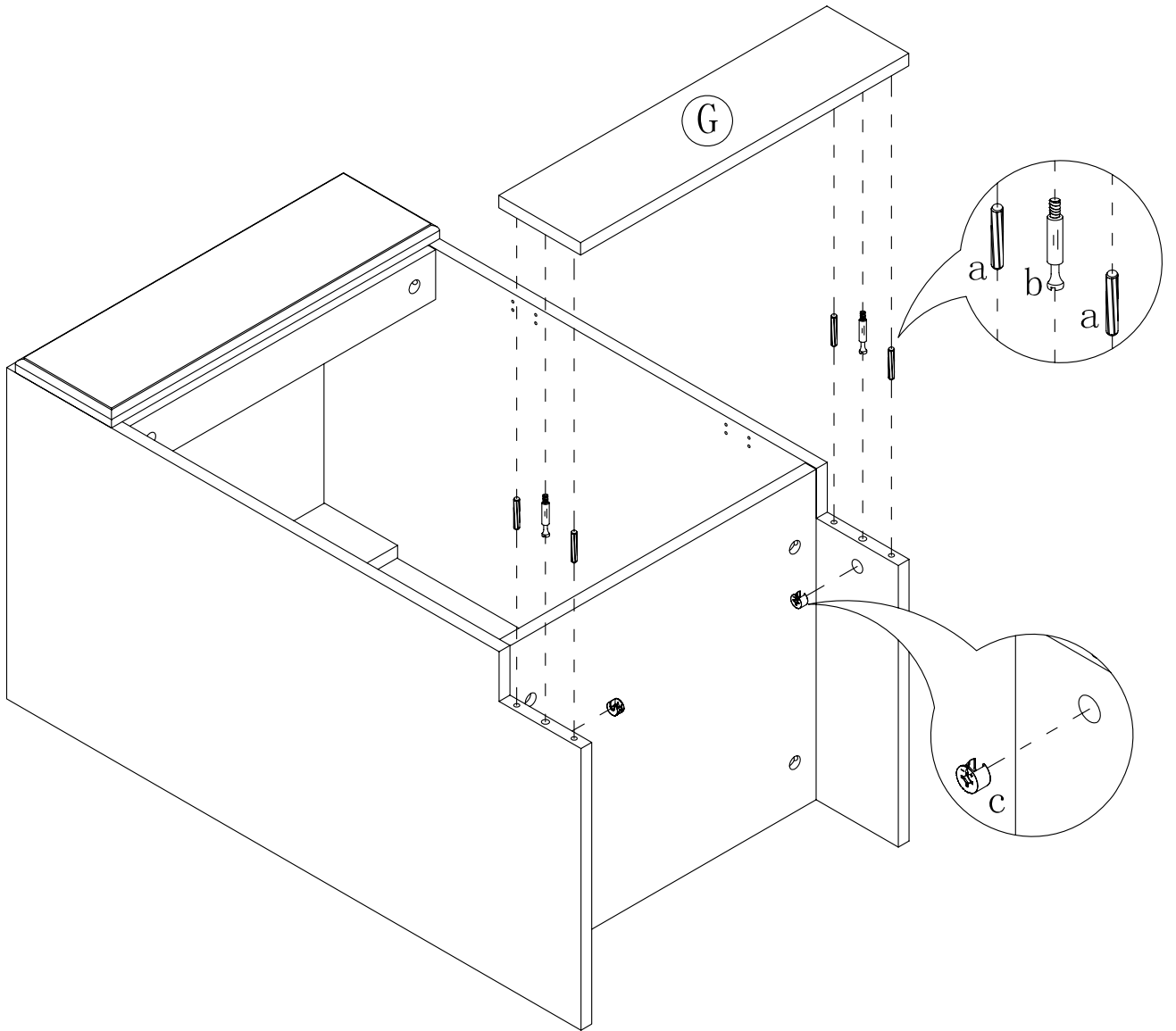
# STEP 1



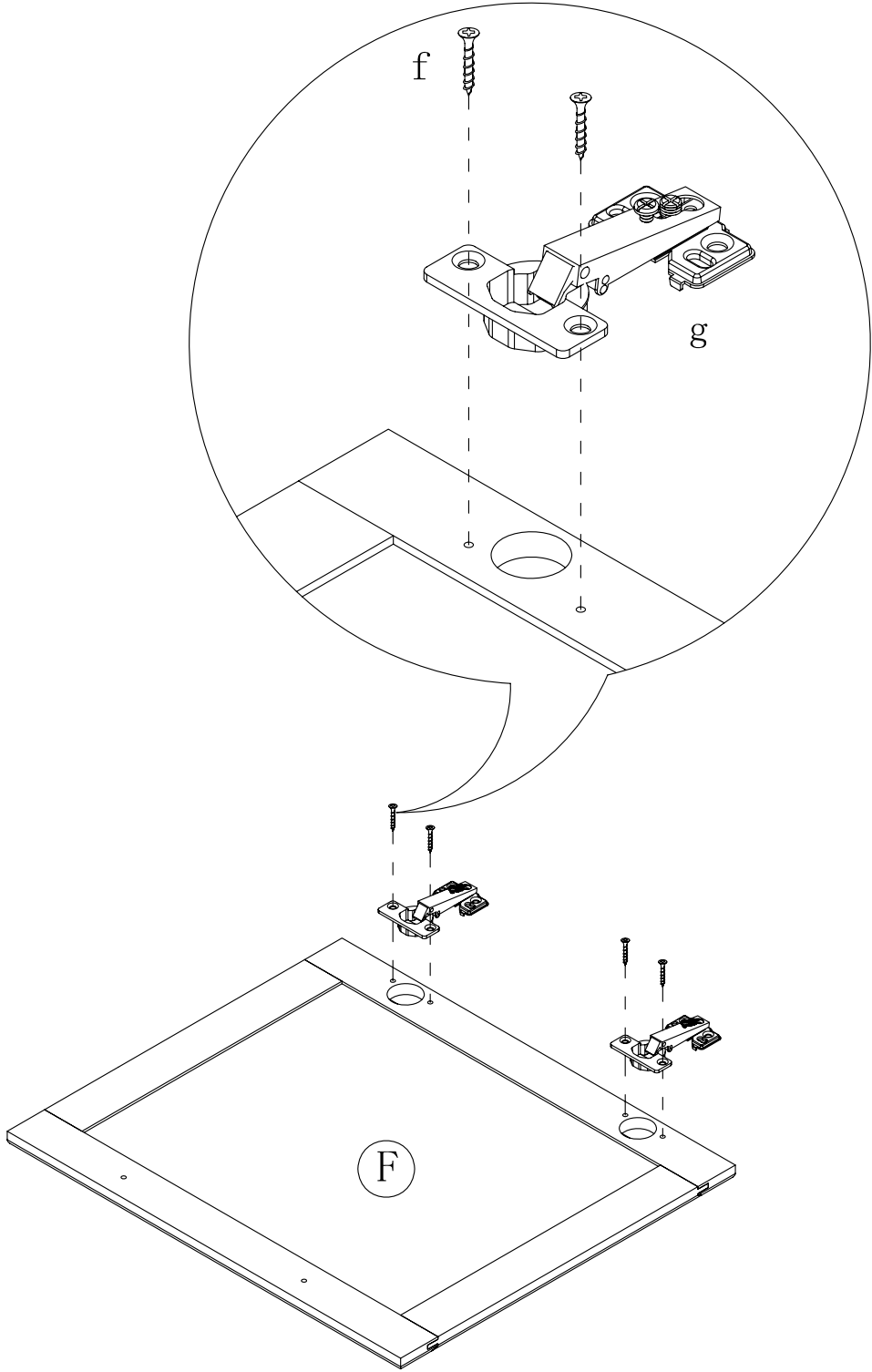
# STEP 2



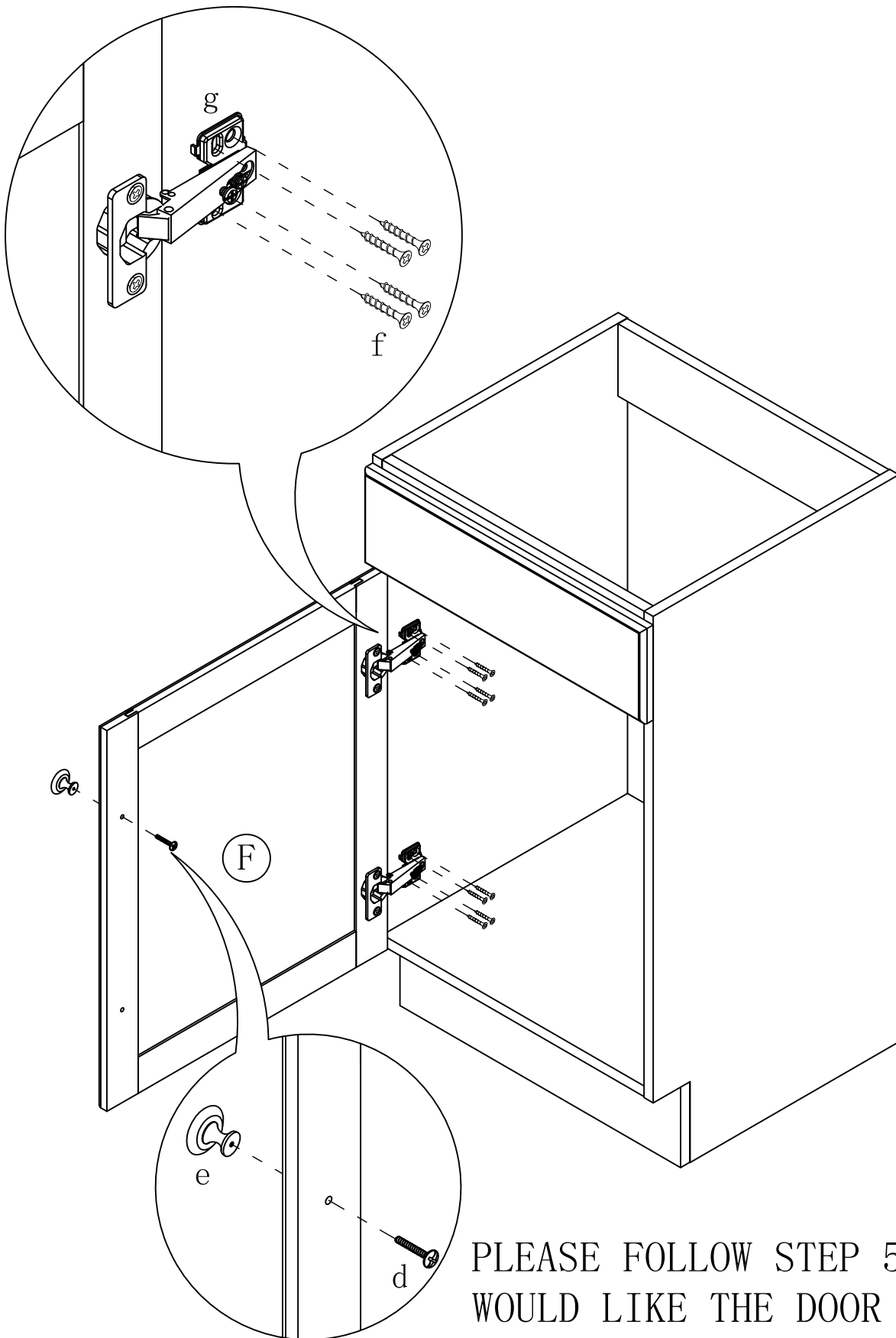
# STEP 3



STEP 4



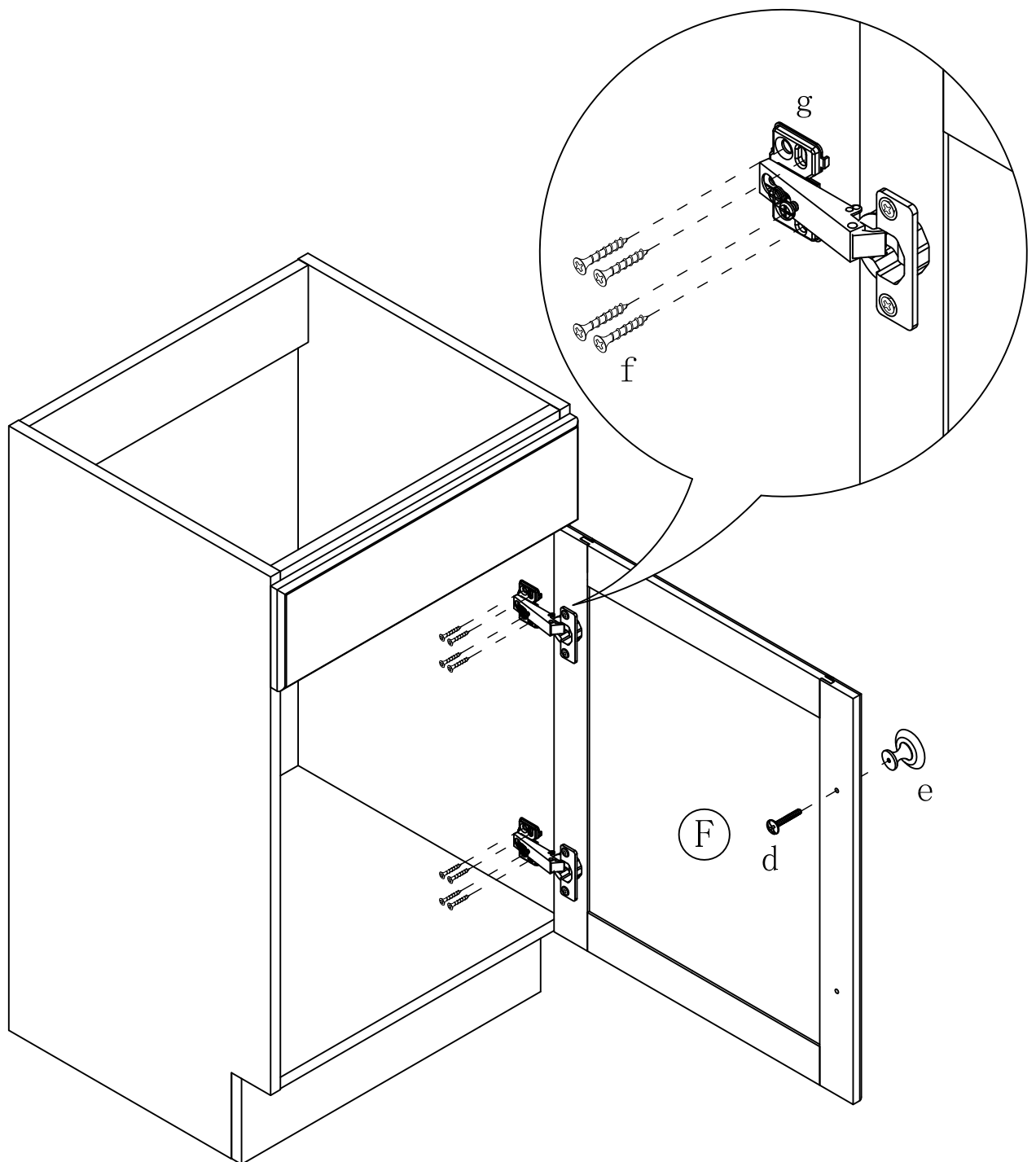
# STEP 5



PLEASE FOLLOW STEP 5 IF YOU WOULD LIKE THE DOOR OPEN FROM THE LEFT



# STEP 6



PLEASE FOLLOW STEP 6 IF YOU  
WOULD LIKE THE DOOR OPEN  
FROM THE RIGHT