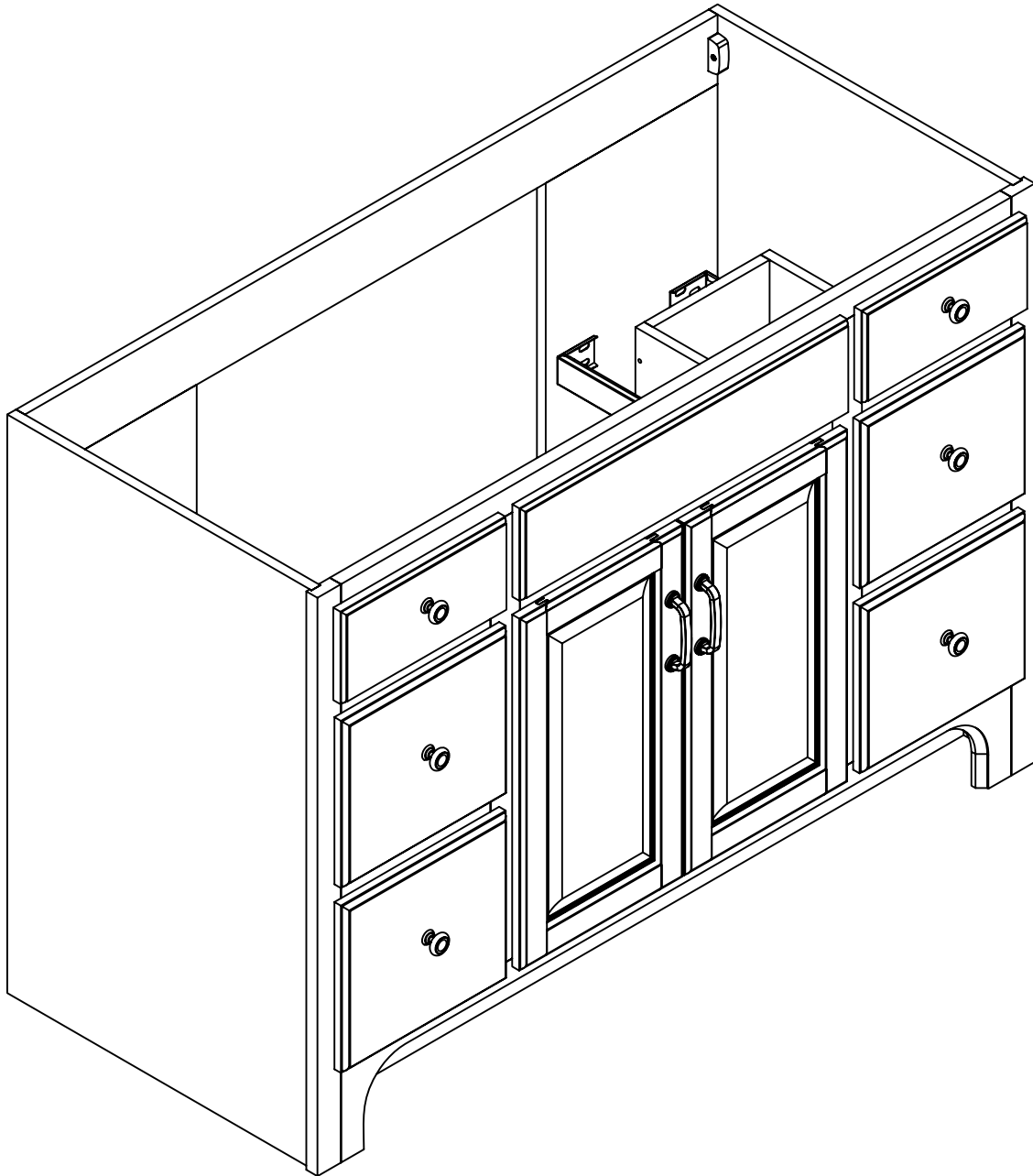




www.todaysdesignhouse.com

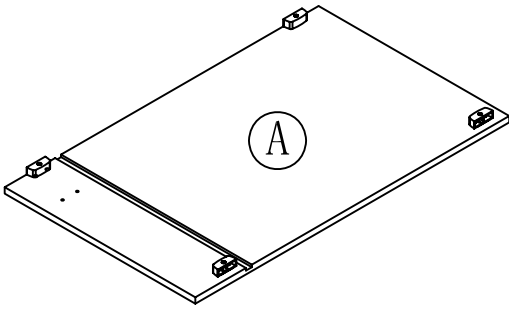


530410 • 530436

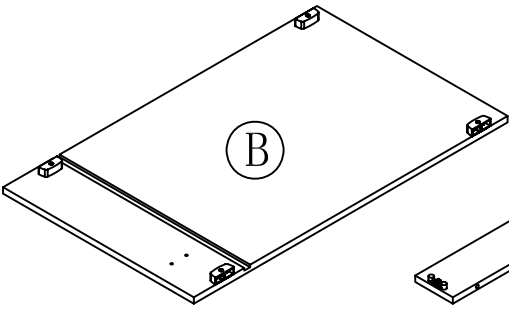
ASSEMBLY INSTRUCTIONS

DHI Corp. • 5205 W. Donges Bay Rd. • Mequon, WI 53092 • 800.558.8700

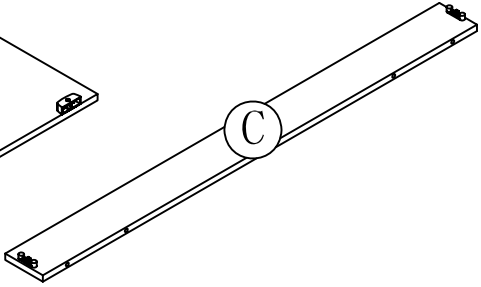
PARTS LIST:



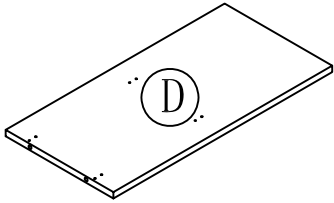
LEFT SIDE PANEL 1PC



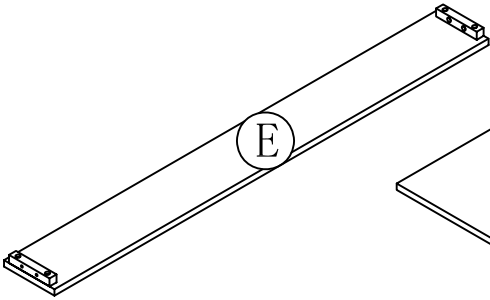
RIGHT SIDE PANEL 1PC



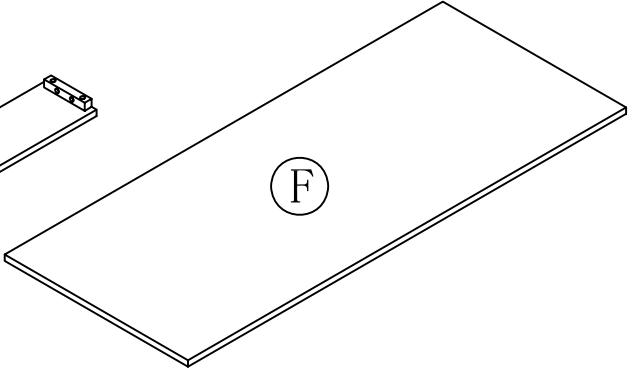
BACK CROSS BRACE 2PCS



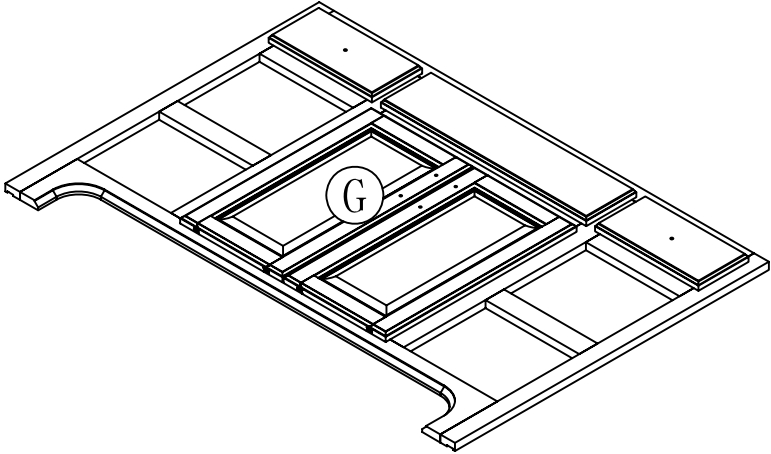
BACK PARTITION
PANEL 2PCS



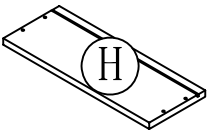
TOE KICK PANEL 1PC



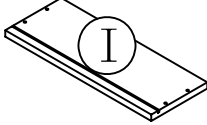
BOTTOM PANEL 1PC



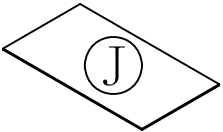
FRONT FRAME 1PC



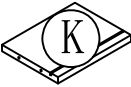
DRAWER LEFT SIDE
PANEL 4PCS



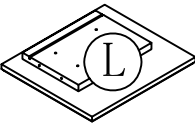
DRAWER RIGHT SIDE
PANEL 4PCS



DRAWER BOTTOM
PANEL 4PCS



DRAWER BACK
PANEL 4PCS



DRAWER FRONT
PANEL 4PCS

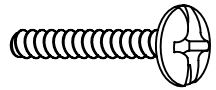
HARDWARE LIST:



a. WOOD DOWEL 8PCS



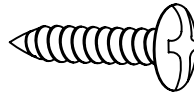
b. 1" L FLAT HEAD
SCREW 4PCS



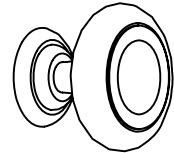
d. HANDLE (KNOB)
BOLT 10PCS



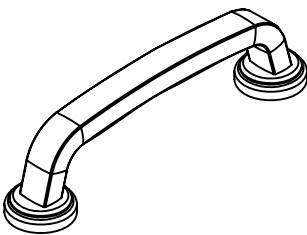
e. 1-1/2" L FLAT HEAD
SCREW 32PCS



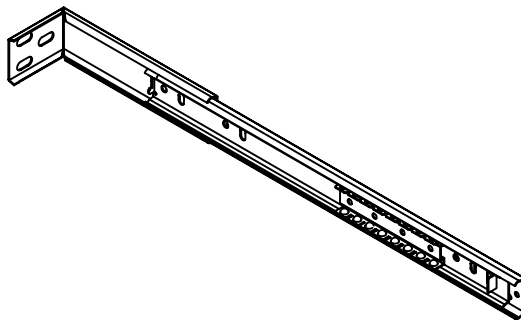
f. 1/2" ROUND HEAD
SCREW 32PCS



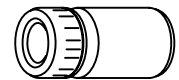
g. KNOB 6PCS



h. HANDLE 2PCS

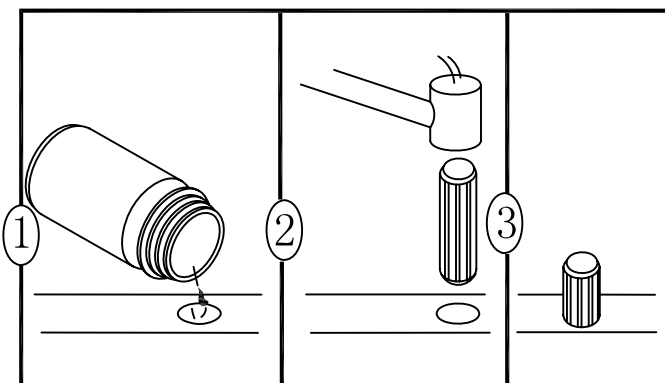
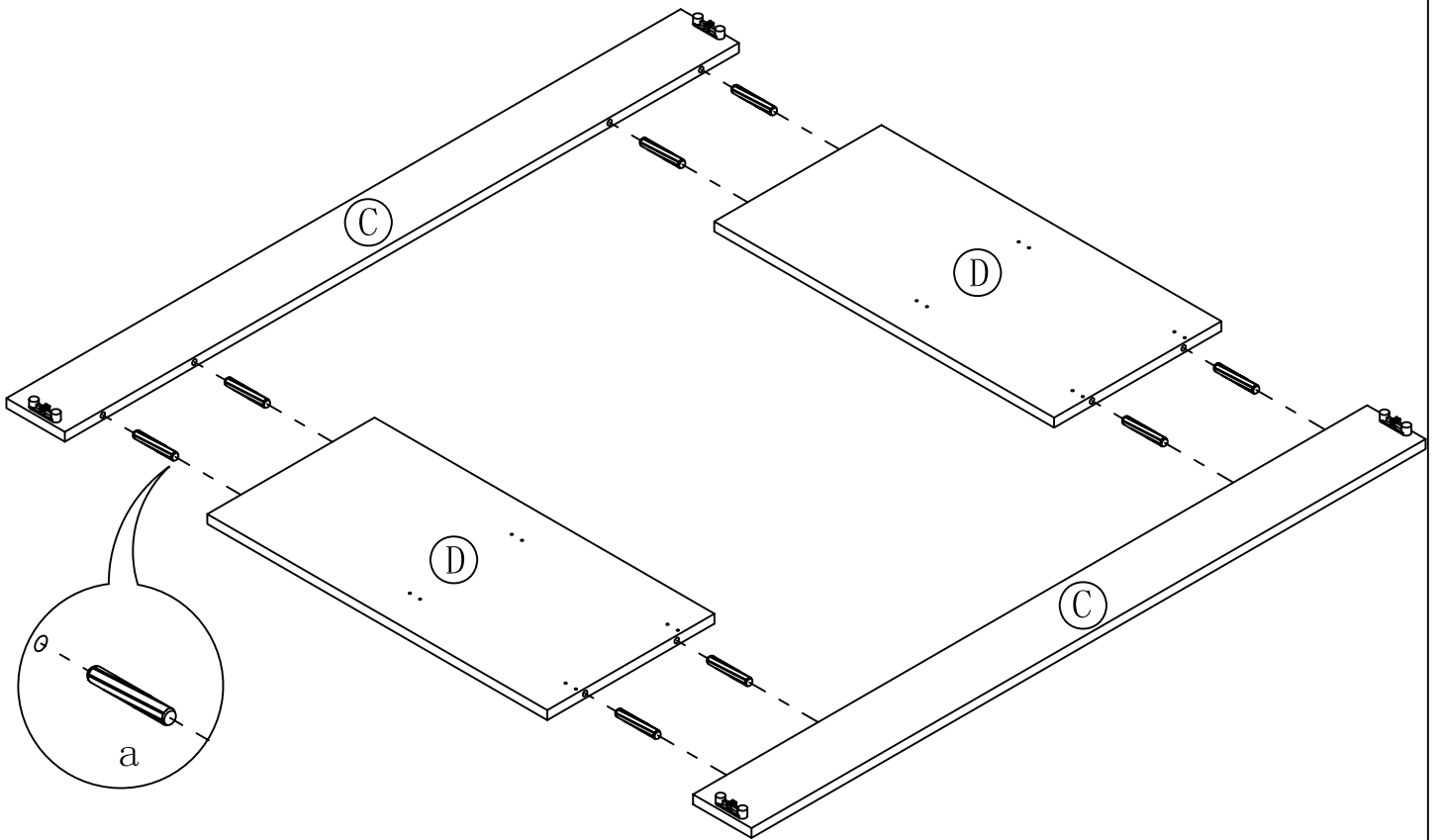


i. DRAWER GUIDE 8PCS

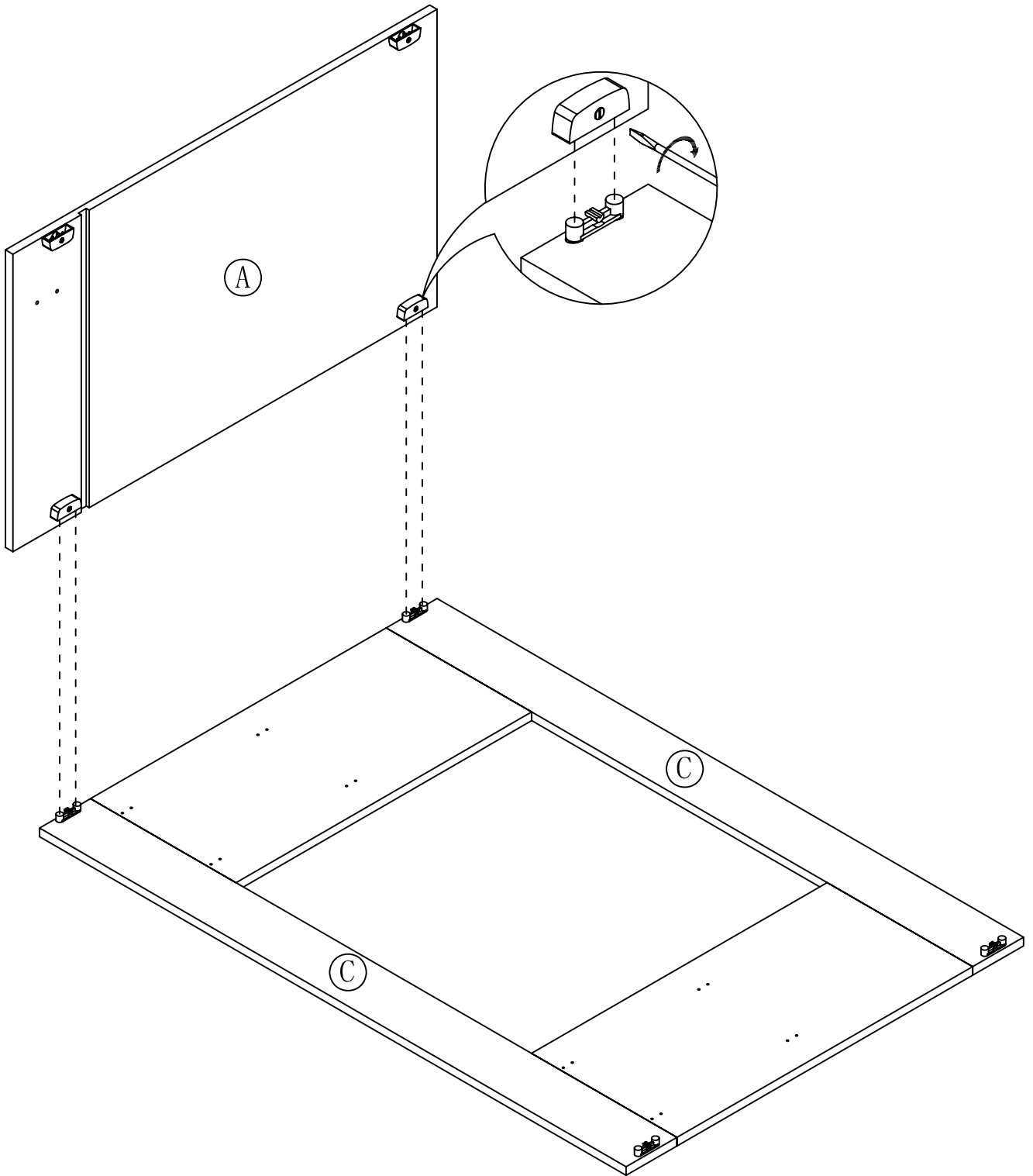


j. GLUE 1PC

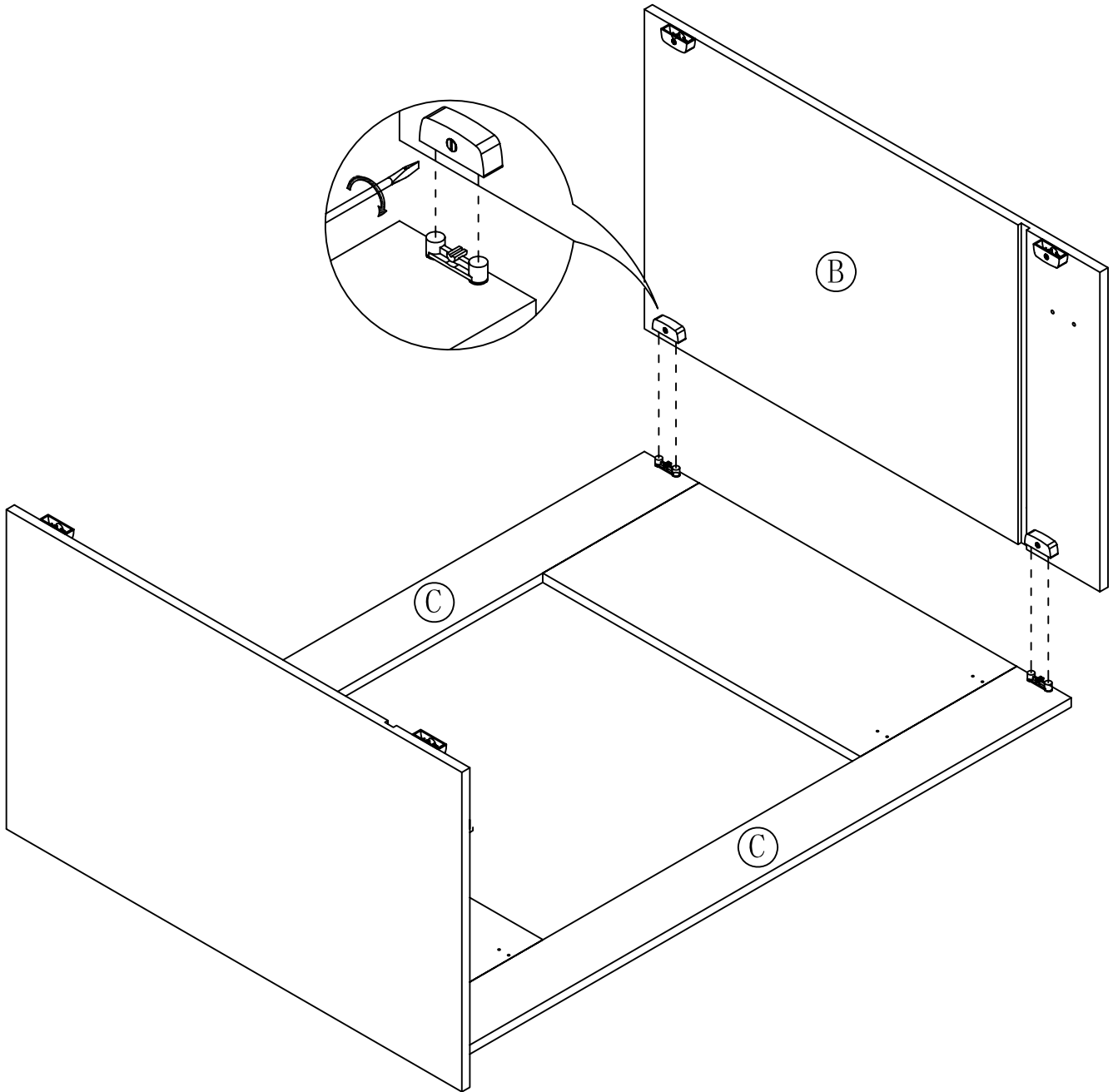
STEP 1



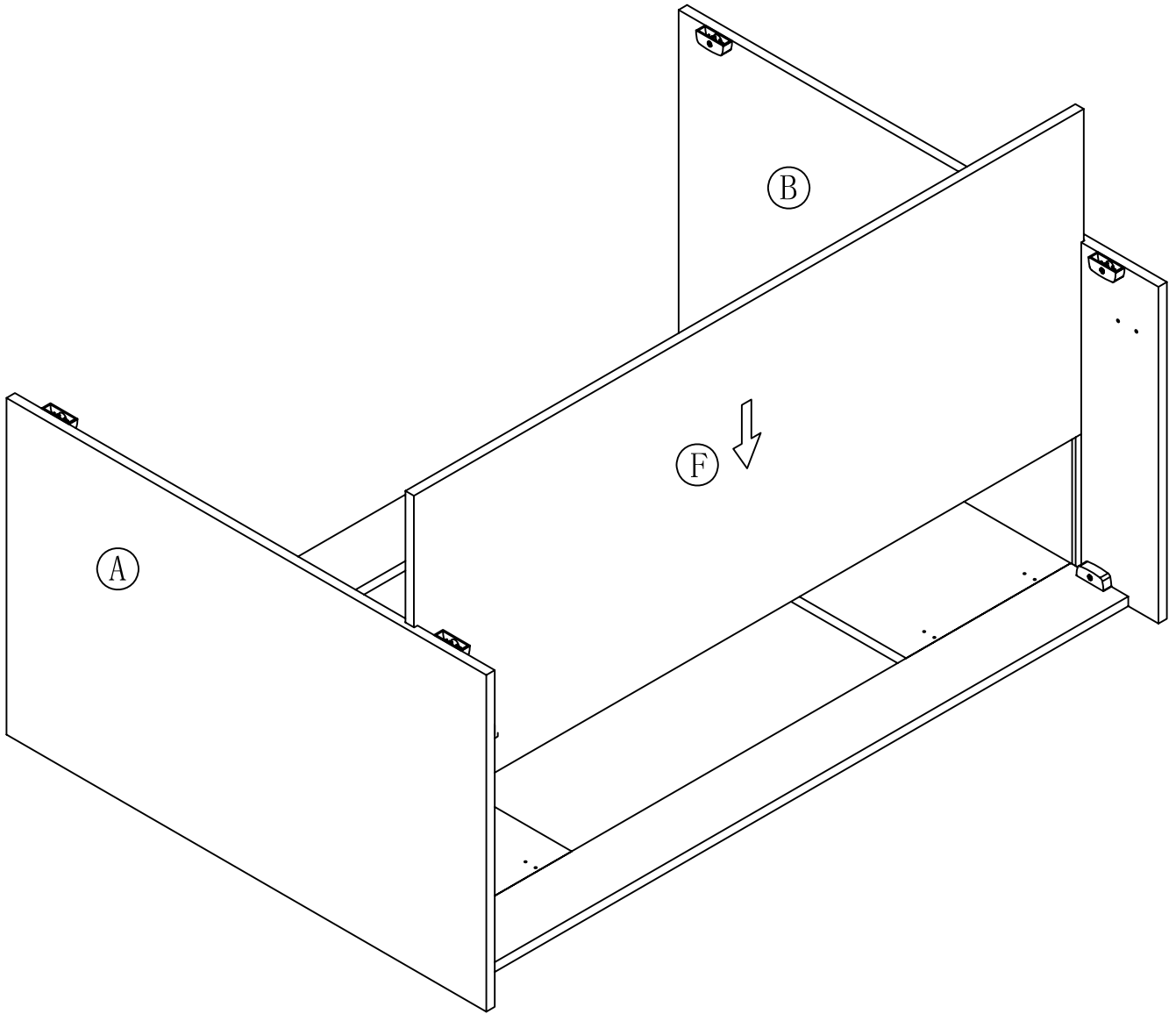
STEP 2



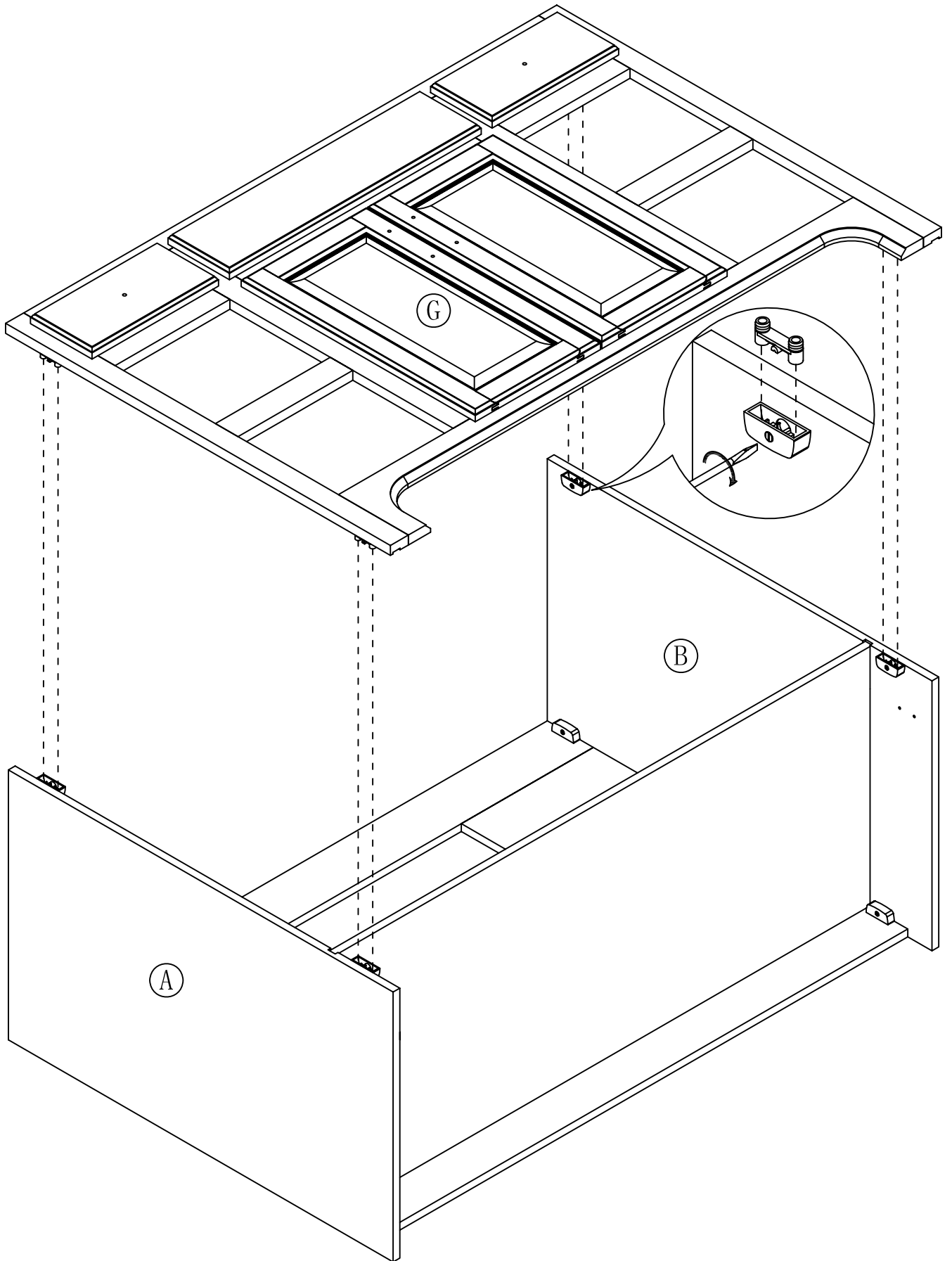
STEP 3



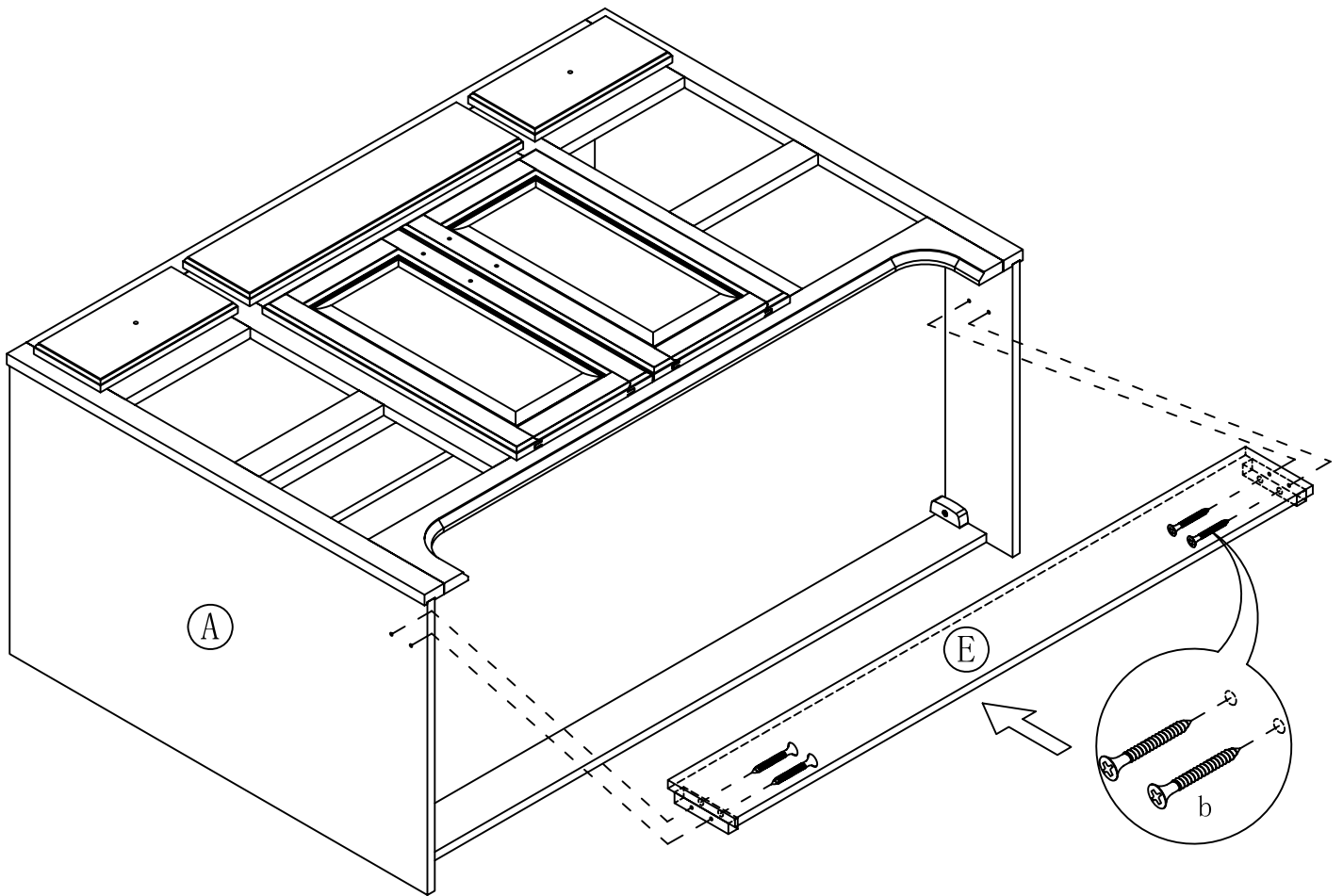
STEP 4



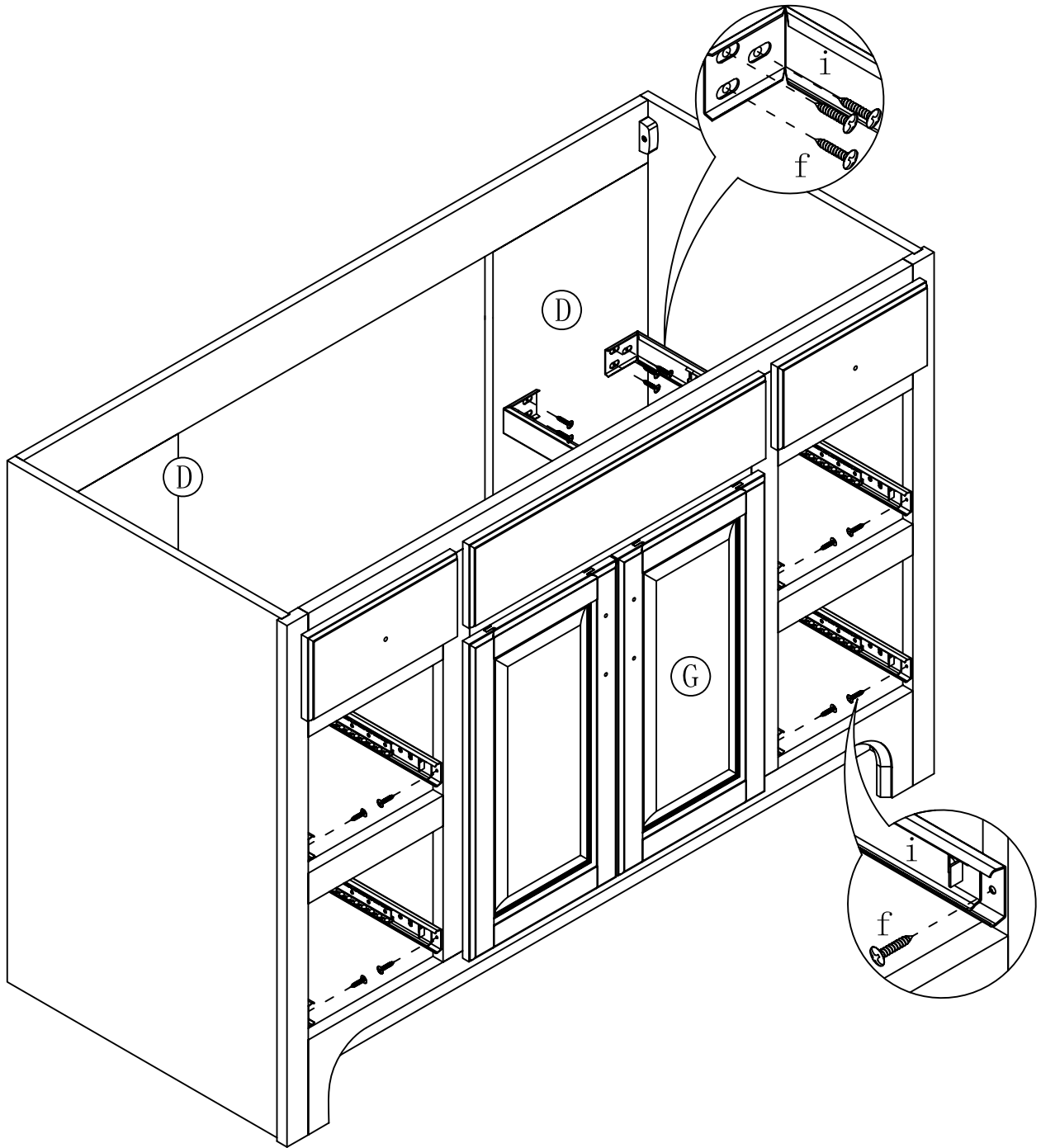
STEP 5



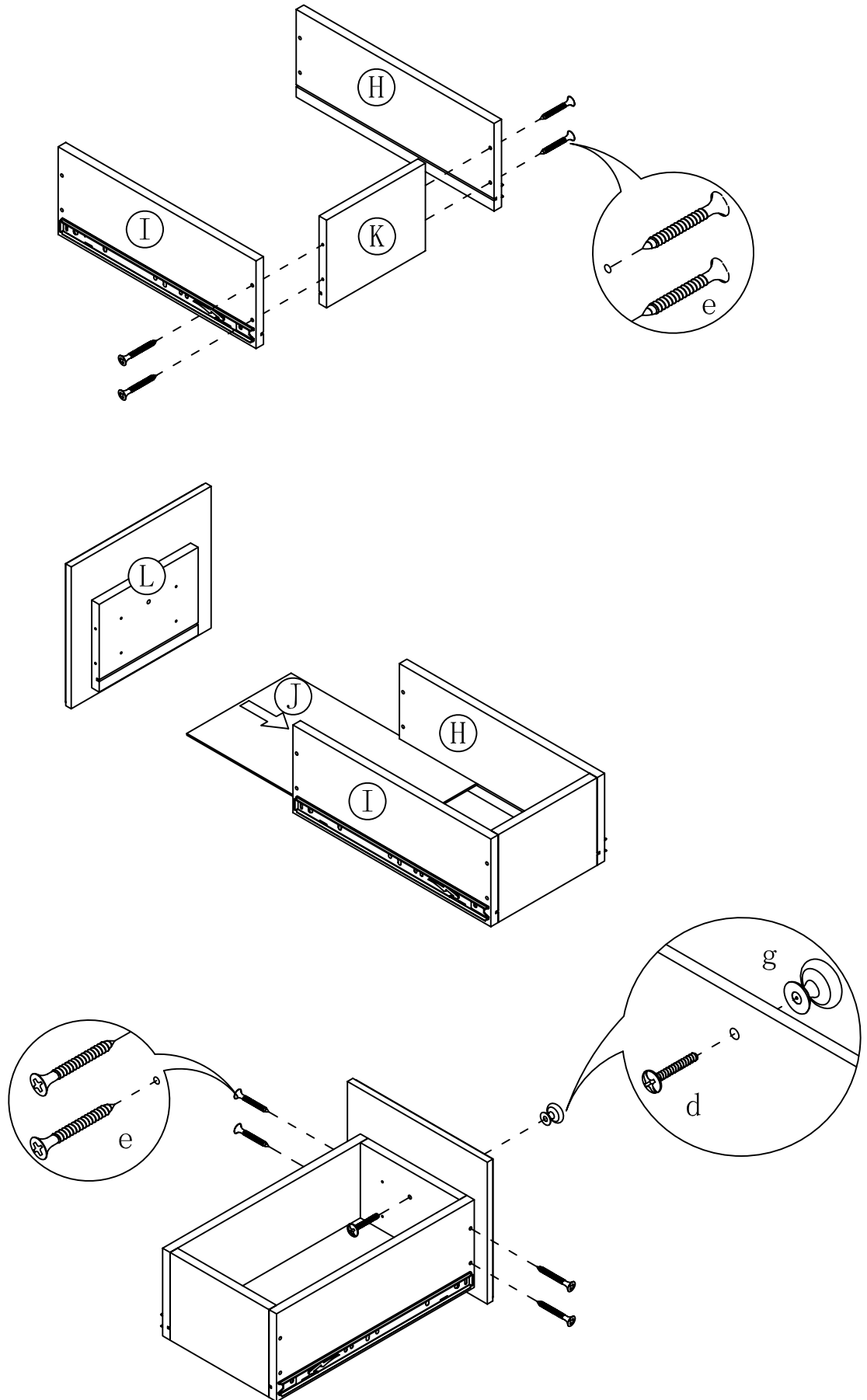
STEP 6



STEP 7



STEP 8



STEP 9

