

# Richland Two Door Linen Cabinet

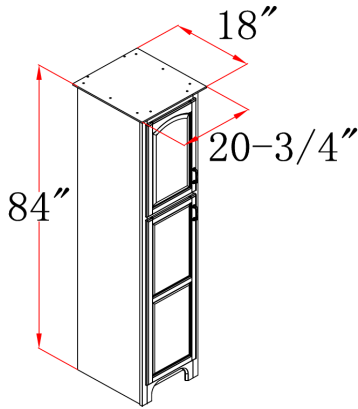


## Specifications

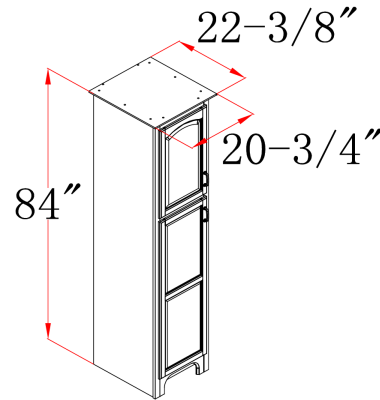
- Cam-lock connectors for fast & easy assembly
- Raised panel doors featuring square and cathedral designs
- Solid wood frame & door frames
- 2 doors and 2 adjustable shelves
- Antique brass hardware with TruMatch™ finish
- Durable water-resistant finish
- Nutmeg Oak Finish



## Dimensions



541185



530444

## Warranty & Compliances

**Warranty** Limited 1 year warranty  
**California 93120** Compliant



## Order Codes & Finishes/Colors

18" w x 18" d x 84" h 541185  
18" w x 21" d x 84" h 530444

<b>Type:</b>
<b>Job:</b>
<b>Order Code:</b>
<b>Approvals:</b>

Design House reserves the right to make changes in materials, specifications & models at any time. Design House also reserves the right to discontinue product without notice or obligation.