



## OAK CREEK POST LGT TXT BLK ASSEMBLY/INSTALLATION INSTRUCTIONS

### Item # 589192-TBK: OAK CREEK POST LGT TXT BLK

Please read carefully and save these instructions, as you may need them at a later date.

## CAUTION

**WARNING:** Risk of Fire. Consult a qualified electrician to ensure correct branch circuit conductor. Turn off the main power at the circuit breaker before installing the fixture, in order to prevent possible shock.

## GENERAL

All electrical connections must be in accordance with local and National Electrical Code (N.E.C.) standards. If you are unfamiliar with proper electrical wiring connections obtain the services of a qualified electrician.

Remove the fixture and the mounting package from the box and make sure that no parts are missing by referencing the illustrations on the installation instructions.

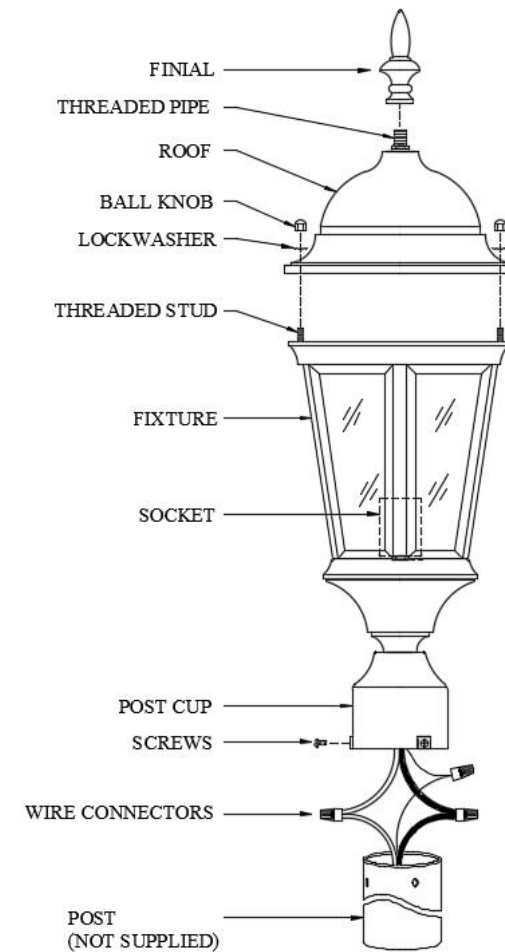
## ASSEMBLY AND INSTALLATION

### Turn off the power at fuse or circuit breaker.

1. Gently take all parts out of the package and lay them on a smooth surface.
2. Slip fixture over post and mark position of mounting holes in post.
3. Remove fixture from post.
4. Drill 3/16" diameter holes in post at positions marked.
5. Make wire connections with wire connectors:
  - A- Connect the black wire from the fixture to the black supply wires.
  - B- Connect the white wire from the fixture to the white supply wires.
  - C- If fixture is provided with ground wire, connect fixture ground wire to outlet box ground wire with wire connector.Never connect ground wire to black or white power supply wires.
6. Slip fixture over post and secure in place using provided screws. Screws should slip into holes drilled in post.
7. Install the bulb (not included) into the socket.
8. Place roof on top of fixture. Pass holes along edge of roof over threaded studs on fixture.
9. Thread ball knobs on to threaded studs. (Do not over tighten.)
10. Thread finial on to threaded pipe on top of the roof. (Do not over tighten.)

### Turn on the power at fuse or circuit breaker

## ASSEMBLY AND INSTALLATION (CONT.)



# 589192-TBK

**IF IN DOUBT ABOUT ELECTRICAL INSTALLATION,  
CONSULT A LICENSED ELECTRICIAN.**

**Customer Service 1-800-558-8700**