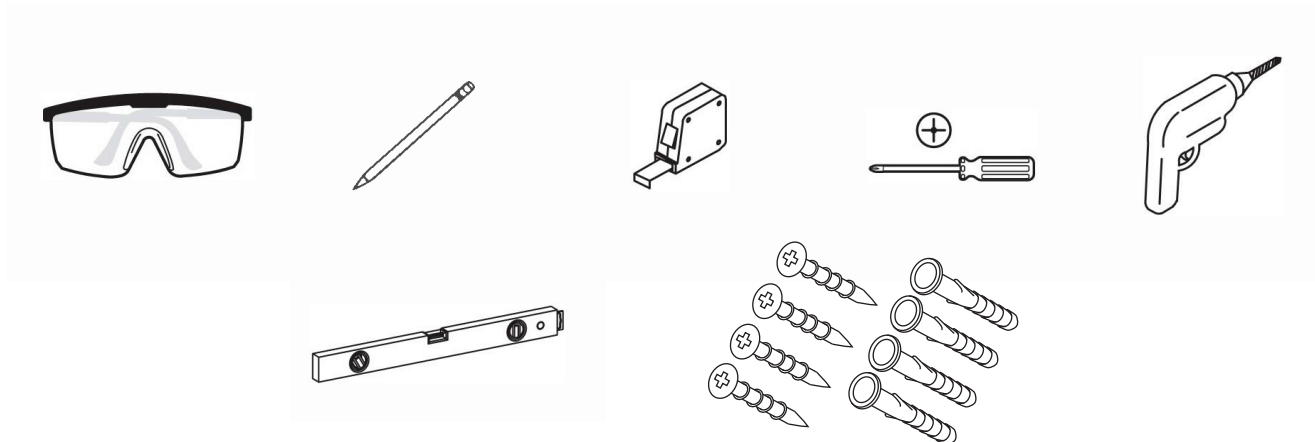


PRE-INSTALLATION

Tools Required

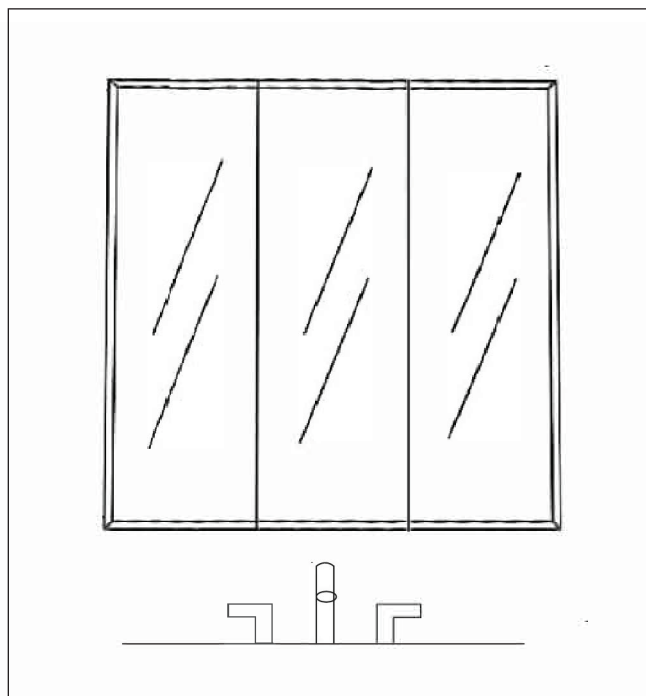


INSTALLATION

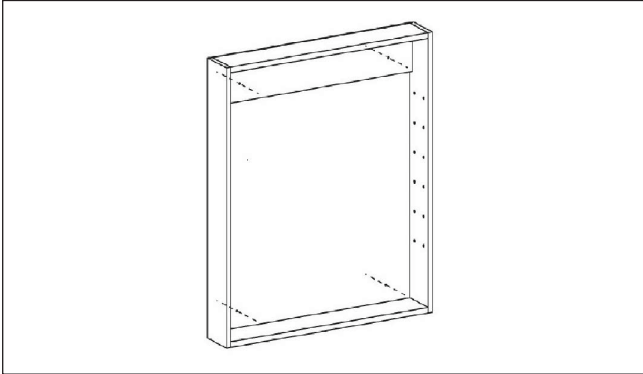
Step 1: Determine the ideal location of your new mirror. Make sure mirror has enough clearance from faucet and ceiling.

See Figure 1.

Figure 1.



Step 2: Install the cabinet.

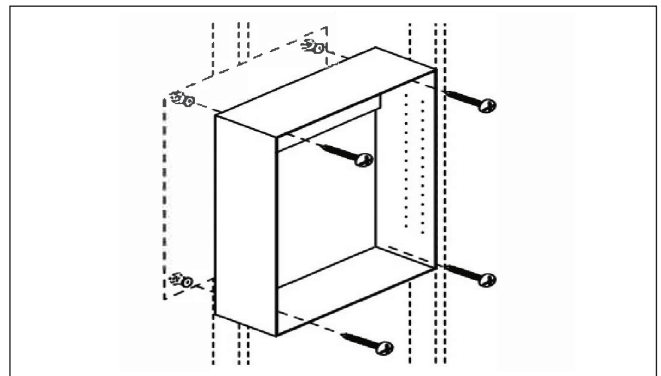
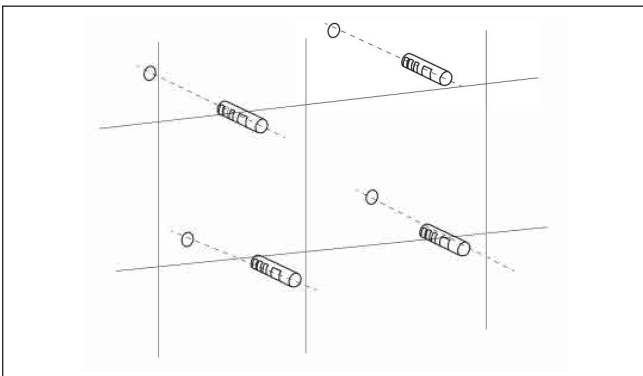
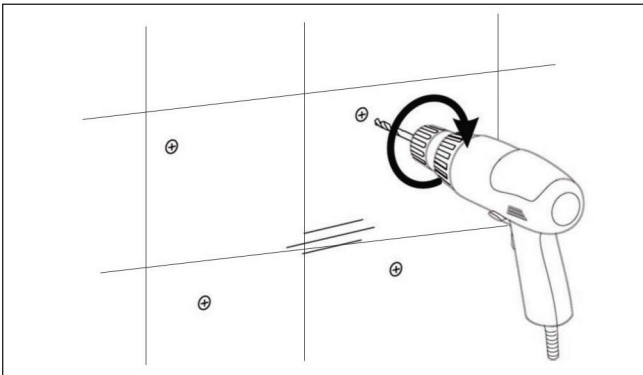


For all installations, make sure that the cabinet is mounted with the reinforcement board on top.

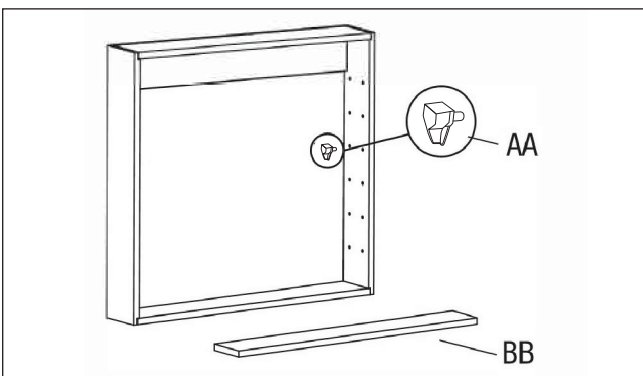
For wall stud installation, insert #12 x 3 in. screws with washers through the pre-drilled cabinet holes and into the stud locations.

For drywall installation, drill holes at the appropriate locations and insert toggle bolts with washers (not included) through the pre-drilled cabinet holes and into the drywall.

For concrete wall installation, drill 1/4 in. holes at the appropriate locations and insert #12 wall anchors into the holes. Then insert #12 x 3 in. screws, through the pre-drilled cabinet holes and into the anchors.



Step 3: Install the nob. (Optional)



Insert the left shelf clips (AA) into the holes on the left side of the cabinet.

Repeat on the right side.

Rest the shelves (BB) on the shelf clips (AA).