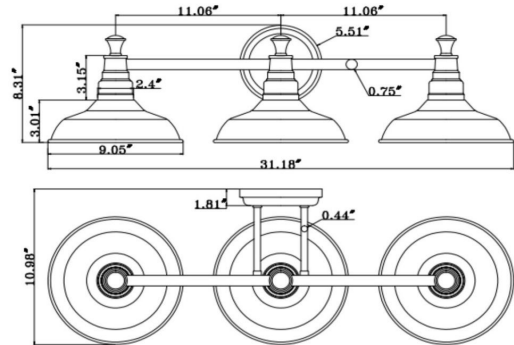


# Kimball 3-Light Vanity Light Galvanized



## SPECIFICATIONS

MOUNTING:	Wall Mount	LED BRIGHTNESS (LUMENS):	N/A
SLOPED CEILING ADAPTABLE:	No	LED COLOR CORRELATED TEMPERATURE (CCT):	N/A
LAMP TYPE 1:	3 lamps 60W Incandescent	LED COLOR RENDERING INDEX (CRI):	N/A
BULB INCLUDED:	N/A	LED EFFICACY:	N/A
WATTS PER BULB:	60W	LED AVERAGE RATED LIFE:	N/A
TOTAL WATTAGE:	180W	ENERGY EFFICIENT:	No
DIMMABLE:	Yes	LIGHTING AMPS:	N/A
MATERIAL CONSTRUCTION:	Steel	VOLTAGE:	120V
ASSEMBLED DIMENSIONS:	10.98" H x 31.18" L x 9.05" D		
WEIGHT:	4.40 lbs.		
BACKPLATE DIMENSIONS:	1.18" H x 5.51" W		
CANOPY/PLATE DIMENSIONS:	N/A		
GLASS/SHADE DIMENSIONS:	3" H x 9" L x 9" D		
GLASS/SHADE MATERIAL:	N/A		
GLASS/SHADE TYPE:	N/A		
GLASS/SHADE COLOR:	Galvanized		

WARRANTY:	10-Year limited warranty
UL/ETL CERTIFICATION:	ETL
WET/DRY/DAMP LISTING:	Damp
ADA COMPLIANT:	No
ENERGY STAR CERTIFIED:	No



TYPE:  
JOB:  
ORDER CODE:  
APPROVALS: