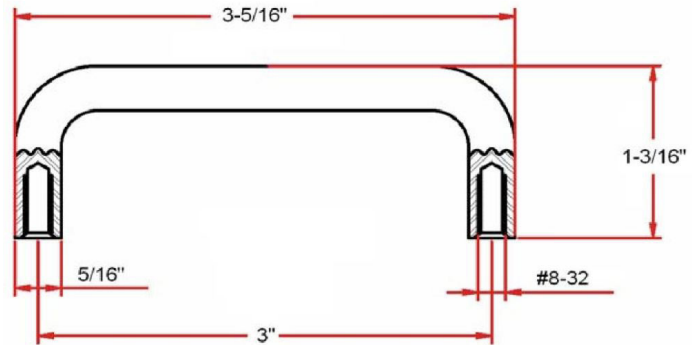


Ardmoore Cabinet Pull
Satin Nickel



SPECIFICATIONS

MATERIAL CONSTRUCTION:	Steel
MOUNTING HARDWARE INCLUDED:	Yes
TOOLS NEEDED FOR INSTALLATION:	Screwdriver
ASSEMBLED DIMENSIONS:	1.187" H x 3.312" L
CENTER TO CENTER:	3"
LEVER/PULL LENGTH:	3.312"
PROJECTION:	1.187"
KNOB DIAMETER:	N/A
ASSEMBLED WEIGHT:	0.12 lbs.

WARRANTY: 1-Year limited warranty
 LEGAL FOR SALE IN CALIFORNIA: Yes



TYPE:
 JOB:
 ORDER CODE:
 APPROVALS: