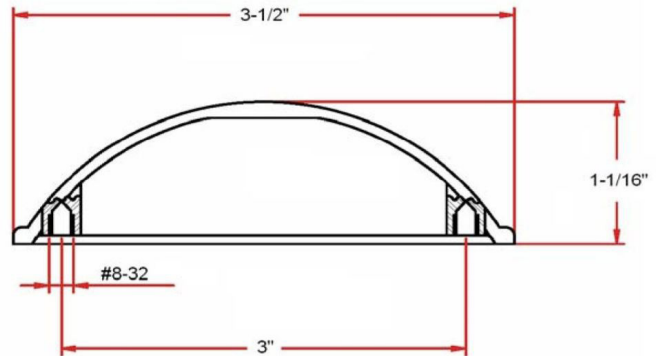


West Side Cabinet Pull
Satin Nickel



SPECIFICATIONS

MATERIAL CONSTRUCTION:	Zinc
MOUNTING HARDWARE INCLUDED:	Yes
TOOLS NEEDED FOR INSTALLATION:	Screwdriver
ASSEMBLED DIMENSIONS:	1.06" H x 3.5" L
CENTER TO CENTER:	3"
LEVER/PULL LENGTH:	3.5"
PROJECTION:	1.06"
KNOB DIAMETER:	N/A
ASSEMBLED WEIGHT:	0.11 lbs.

WARRANTY: 1-Year limited warranty
 LEGAL FOR SALE IN CALIFORNIA: Yes



TYPE:
 JOB:
 ORDER CODE:
 APPROVALS: