



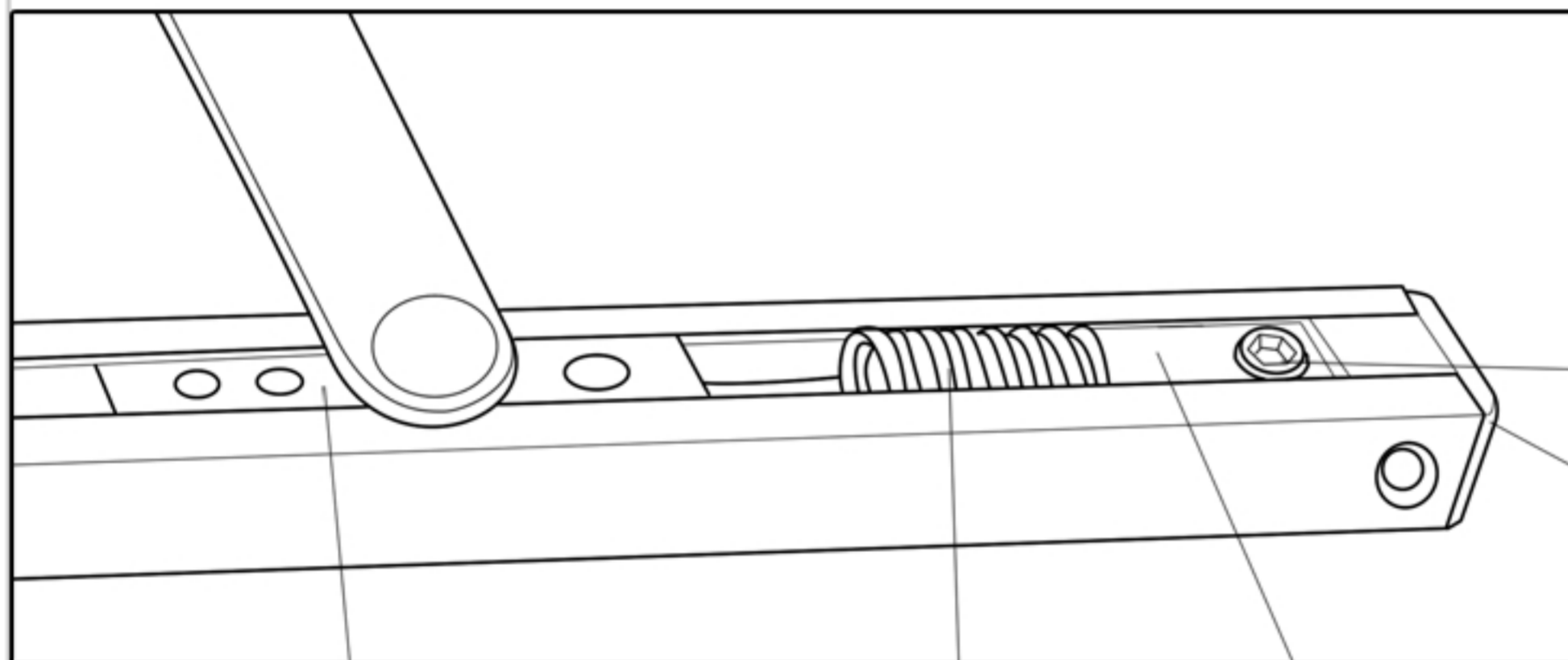
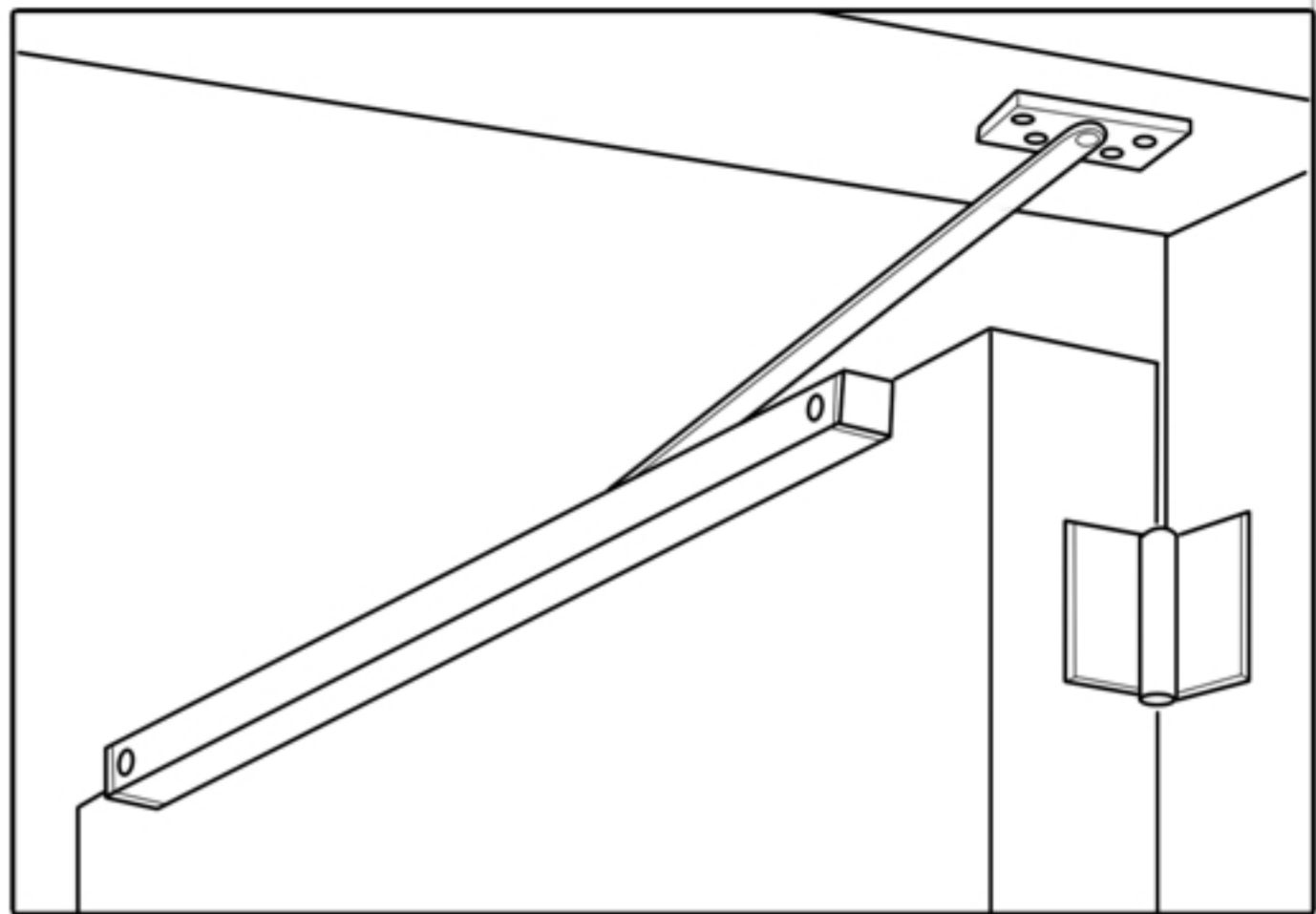
# DCSM10

## Overhead Door Holder, Solid Brass



### PRODUCT DESCRIPTION & FEATURES

- Single Acting Doors
- Non-handed
- Slide Track Design
- Recommended for medium-traffic, medium-weight doors
- Degree of opening fully adjustable and can be adapted to changing needs
- Heavy shock absorber spring provides compression before dead stop
- Standard architectural finishes
- Non-metal slide block and Shock Block
- 110° maximum opening
- Track is 3/4" square tube



SLIDER CAM

SHOCK SPRING

SHOCK BLOCK

SET SCREW

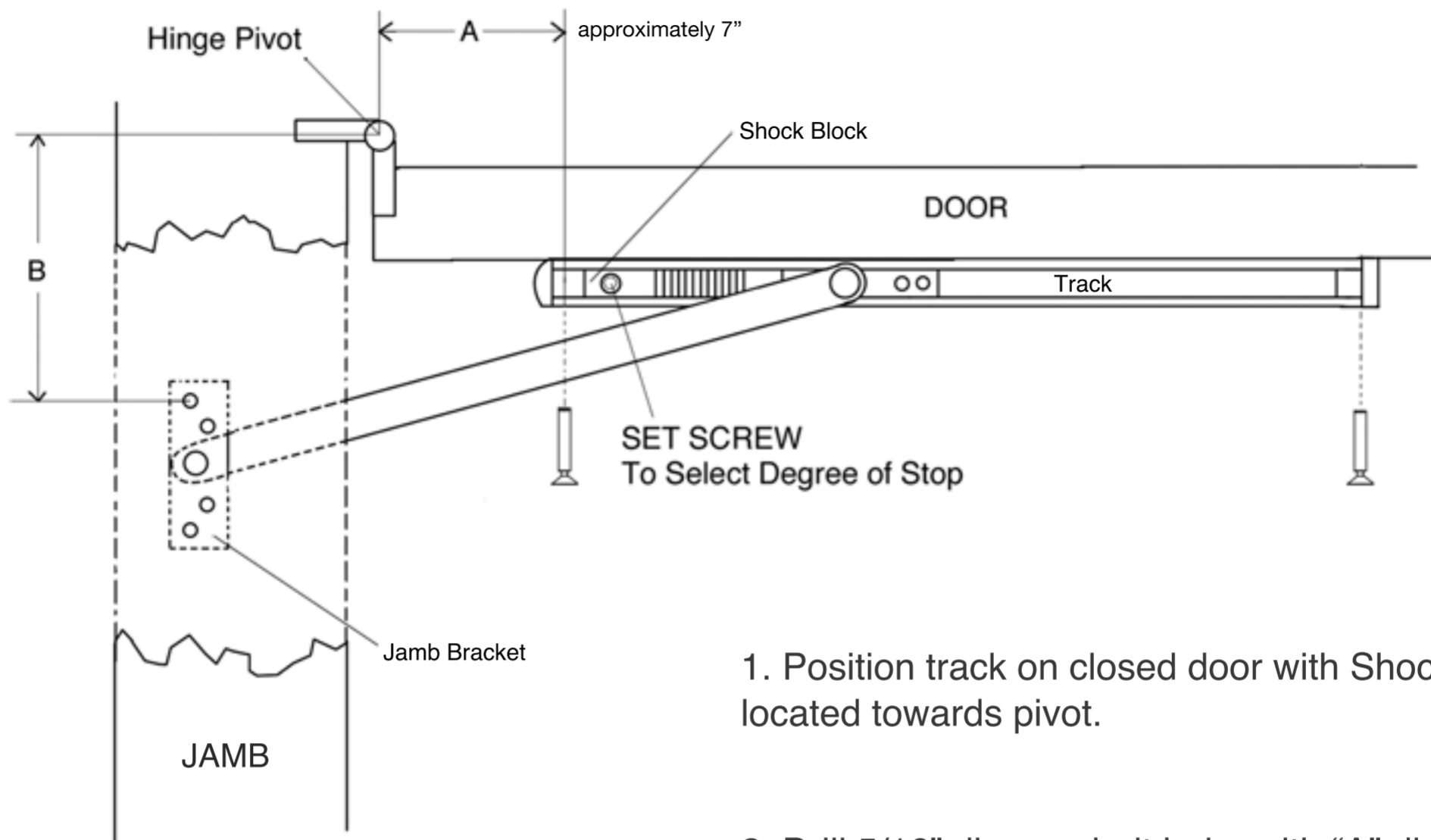
PLASTIC END  
CAP # 1

(CAP #2 Located  
at opposite end  
of track)

### TO ADJUST DEGREE OF STOP

- With a 3/16" hex key wrench, loosen the set screw in the Shock Block.
- Open door to desired degree of opening.
- Slide Shock Block and spring until the spring touches Slider Cam.
- Tighten set screw.
- Verify door opening position and re-adjust, as needed.

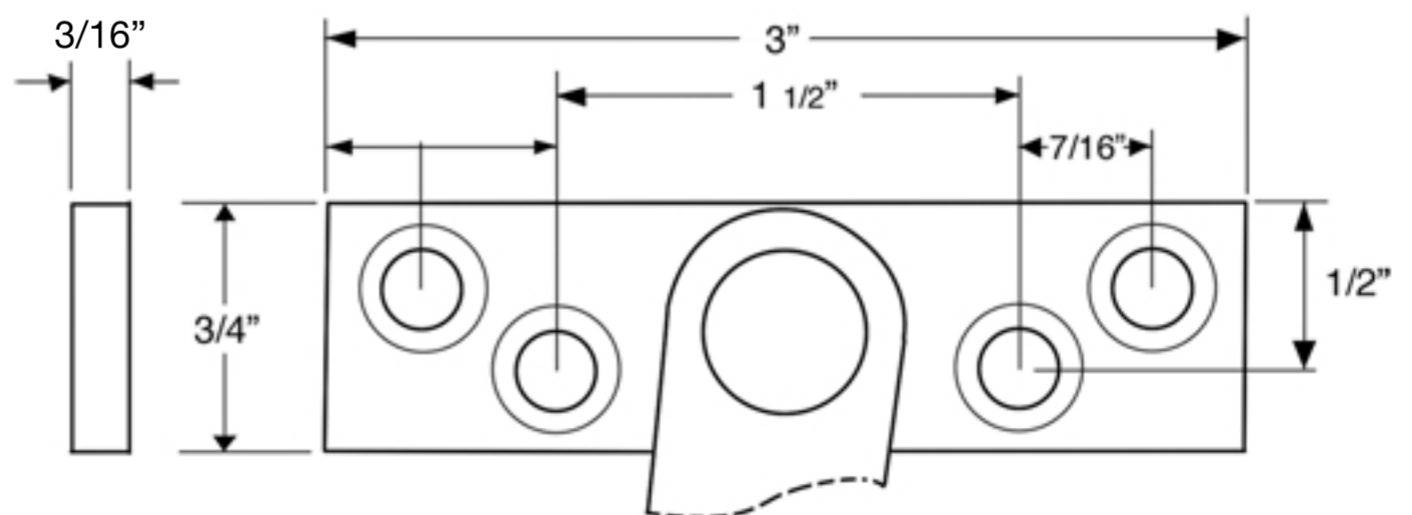
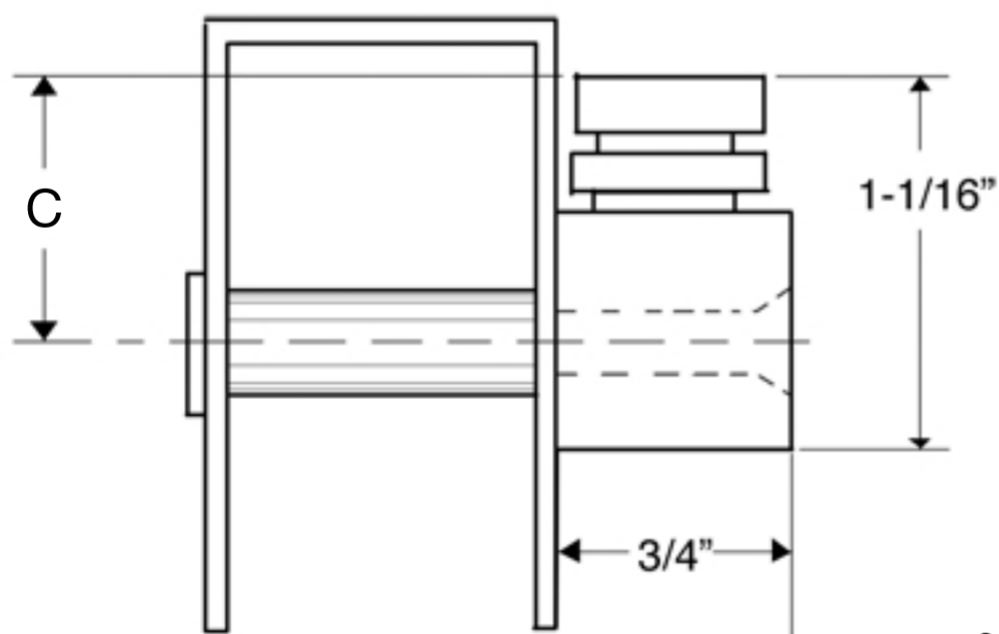
### INSTALLATION INSTRUCTIONS



1. Position track on closed door with Shock Block located towards pivot.

2. Drill  $5/16$ " dia. sex bolt hole, with "A" dimension approximately 7" from pivot edge of door allowing sufficient clearance down from stop strip as shown in dimension "C".

3. Open door to determine the desired open angle ( $110^\circ$  degrees max.) to determine "B" dimension. Install jamb bracket parallel to track when in closed position.



4. To adjust degree of stop:

- With a  $3/16$ " hex key wrench, loosen the set screw in the shock block.
- Open door to desired degree of opening.
- Slide shock block and spring until the spring touches slider cam.
- Tighten set screw.
- Verify door opening position and re-adjust, as needed.