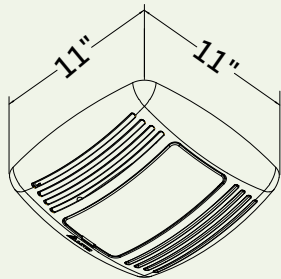
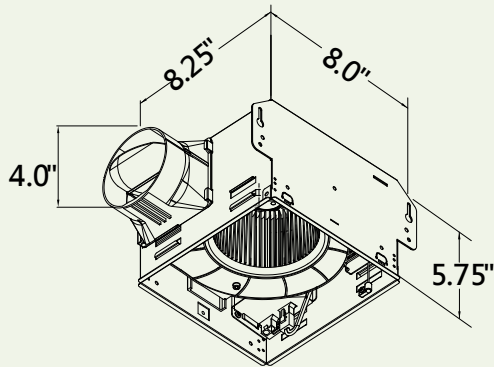




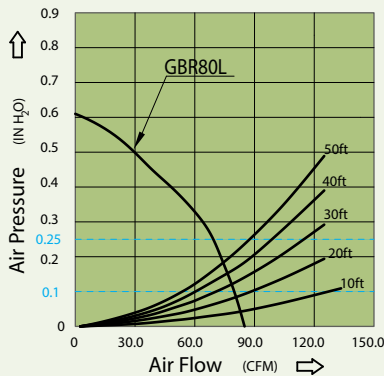
# Delta BreezGreenBuilder Ventilation Fan / Light Combo Specifications

**GBR80L**  
(80 CFM)

### Dimensions



### Fan Curve



### Description

Low noise ceiling mount ventilating fan rated for continuous running. Fan is ENERGY STAR® qualified, HVI, UL, and cUL certified, and can be used to comply with ASHRAE 62.2 (local and whole building continuous and intermittent operation), CA Title 24, and CALGreen requirements.

### Motor/Blower

- Power rating of 120volts/60Hz
- DC brushless motor engineered to run continuously
- Motor equipped with thermal cutoff fuse
- Permanently lubricated motor

### Housing

- Galvanized steel body
- Detachable 4" diameter duct adapter
- Built-in backdraft damper
- Easy installation

### Grille

- Attractive design using ABS material
- Attaches directly to housing with included grille bracket

### Light

- 26-Watt GU24 CFL

### LED Indicator

- Turn the power switch on/off to operate on/off. LED indicator will be green when power is on

### Warranty

- 3-year limited warranty

### Features

- For ceiling mount only, air flow of 80 CFM (±10%) and 0.8 sonas at 0.1" static pressure
- Power consumption approximately 11.0 Watts with an efficiency rating approximately 7.2 CFM/Watt at 0.1" static pressure
- UL and cUL listed for tub/shower enclosure when used with GFCI-protected branch circuit wiring

### DC Motor Technology

- Built-in soft start function to increase bearings' life
- Automatically powers off when the impeller is locked abnormally

### Specifications

GBR80L	4" Duct (Standard)	
Static Pressure (Inches w.g.)	0.1	0.25
Air Flow (CFM)	80	69
Sones	0.8	1.3
Power Consumption (Watts)	11.0	13.6
Energy Efficiency (CFM/Watt)	7.2	5.0
Current (Amps)	0.23 Max	
Power Rating (V/Hz)	120 / 60	
Lamp (Watts)	26	