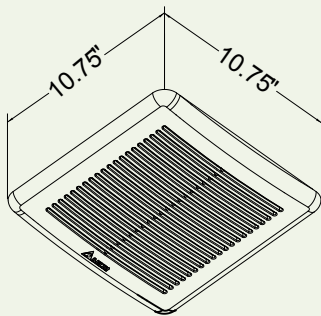
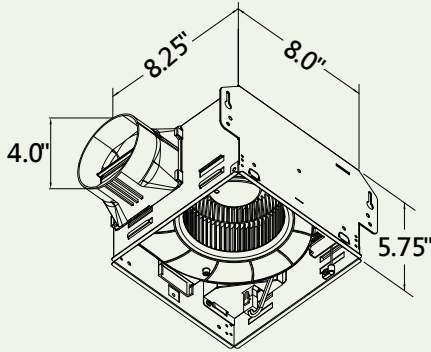




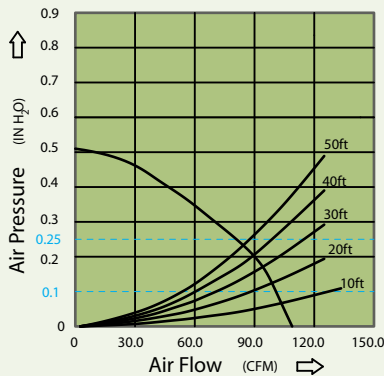
# Delta BreezGreenBuilder Ventilation Single Speed Fan Specifications

GBR100  
(100 CFM)

### Dimensions



### Fan Curve



### Description

Low noise ceiling and wall mount ventilating fan rated for continuous running. Fan has been awarded ENERGY STAR® Most Efficient in 2013. It is HVI, UL, and cUL certified, and can be used to comply with ASHRAE 62.2 (intermittent operation), CA Title 24, and CALGreen requirements.

### Motor/Blower

- Power rating of 120volts/60Hz
- DC brushless motor engineered to run continuously
- Motor equipped with thermal cutoff fuse
- Permanently lubricated motor

### Housing

- Galvanized steel body
- Detachable 4" diameter duct adapter
- Built-in backdraft damper
- Easy installation

### Grille

- Attractive design using ABS material
- Attaches directly to housing with torsion springs

### LED Indicator

- Turn the power switch on/off to operate on/off. LED indicator will be green when power is on

### Warranty

- 3-year limited warranty

### Features

- For ceiling mount only, air flow of 100 CFM ( $\pm 10\%$ ) and 1.4 sones at 0.1" static pressure
- Power consumption approximately 12.6 Watts with an efficiency rating approximately 7.9 CFM/Watt at 0.1" static pressure
- UL and cUL listed for tub/shower enclosure when used with GFCI-protected branch circuit wiring

### DC Motor Technology

- Built-in soft start function to increase bearings' life
- Automatically powers off when the impeller is locked abnormally

### Specifications

GBR100	4" Duct (Standard)	
Static Pressure (Inches w.g.)	0.1	0.25
Air Flow (CFM)	100	81
Sones	1.4	1.3
Power Consumption (Watts)	12.6	11.6
Energy Efficiency (CFM/Watt)	7.9	6.9
Current (Amps)	0.22 Max	
Power Rating (V/Hz)	120/60	