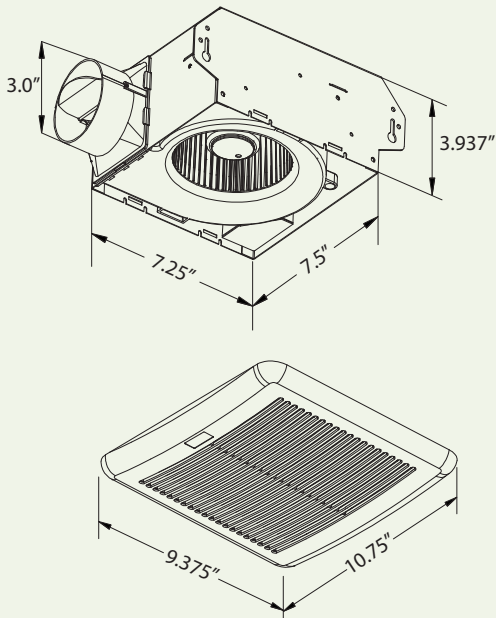




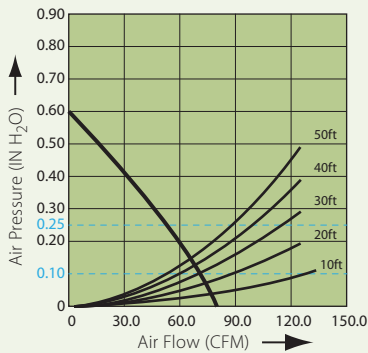
## Delta BreezSlim Ventilation Super Low Profile Fan Specifications

SLM70  
(70 CFM)

### Dimensions



### Fan Curve



### Description

Low noise ceiling/wall mount ventilating fan with super low profile, rated for continuous running. Evaluated by Underwriter Laboratories and conforms to both UL and cUL safety standards.

### Motor/Blower

- Power rating of 120volts/60Hz.
- DC brushless motor engineered to run continuously.
- Motor equipped with thermal cutoff fuse.
- Removable with permanently lubricated plug-in motor.

### Housing

- Galvanized steel body.
- Detachable 3" diameter duct adapter.
- Built-in backdraft damper.
- Easy installation.

### Grille

- Attractive design using ABS material.
- Attaches directly to housing with torsion springs.

### Warranty

- 3-year limited warranty.

### Features

- For ceiling and wall mount, air flow of 70 CFM ( $\pm 10\%$ ) and 2.0 sones at 0.1" static pressure.
- Power consumption approximately 13.1 Watts with an efficiency rating approximately 5.8 CFM/Watt at 0.1" static pressure.
- Duct diameter no less than 3".
- UL and cUL listed for tub/shower enclosure when used with GFCI branch circuit wiring.

### DC Motor Technology

- Built-in soft start function to increase bearings' life.
- Automatically powers OFF when impeller is locked abnormally.

### Specifications

SLM70	3" Duct (Standard)	
Static Pressure (Inches w.g.)	0.1	0.25
Air Flow (CFM)	70	54
Sones	2.0	1.5
Power Consumption (Watts)	13.1	11.5
Energy Efficiency (CFM/Watt)	5.8	5.0
Speed (RPM)	1239	1369
Current (Amps)	0.29 Max	
Power Rating (V/Hz)	120/60	