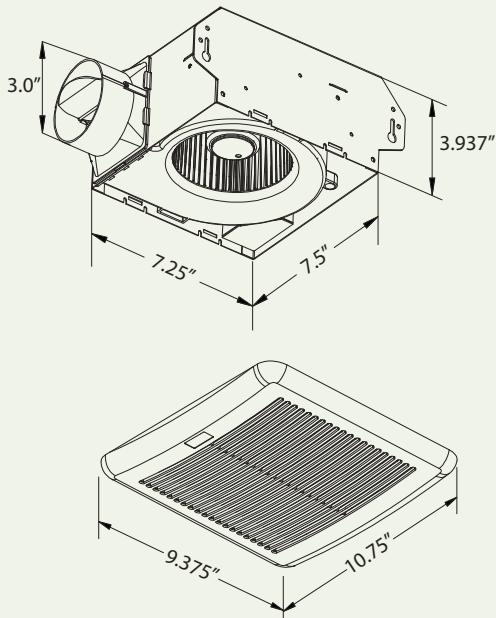




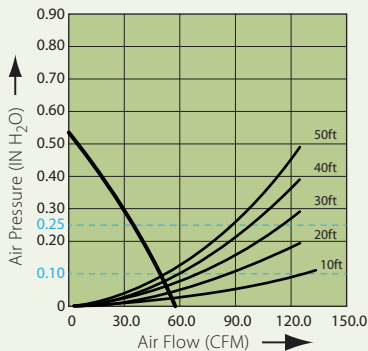
Delta BreezSlim Ventilation Super Low Profile Fan Specifications

SLM50
(50 CFM)

Dimensions



Fan Curve



Description

Low noise ceiling/wall mount ventilating fan with super low profile, rated for continuous running. Fan has been awarded ENERGY STAR® Most Efficient in 2013. Evaluated by Underwriter Laboratories and conforms to both UL and cUL safety standards.

Motor/Blower

- Power rating of 120volts/60Hz.
- DC brushless motor engineered to run continuously.
- Motor equipped with thermal cutoff fuse.
- Removable with permanently lubricated plug-in motor.
- Meets or exceeds the requirements set forth by ASHRAE 62.2 for continuous or intermittent running applications.

Housing

- Galvanized steel body.
- Detachable 3" diameter duct adapter.
- Built-in backdraft damper.
- Easy installation.

Grille

- Attractive design using ABS material.
- Attaches directly to housing with torsion springs.

Warranty

- 3-year limited warranty.

Features

- For ceiling mount only, air flow of 50 CFM ($\pm 10\%$) and 1.0 sone at 0.1" static pressure.
- Power consumption approximately 6.4 Watts with an efficiency rating approximately 8.9 CFM/Watt at 0.1" static pressure.
- Duct diameter no less than 3".
- UL and cUL listed for tub/shower enclosure when used with GFCI branch circuit wiring.

DC Motor Technology

- Built-in soft start function to increase bearings' life.
- Automatically powers OFF when impeller is locked abnormally.

Specifications

SLM50	3" Duct (Standard)	
Static Pressure (Inches w.g.)	0.1	0.25
Air Flow (CFM)	50	36
Sones	1.0	1.2
Power Consumption (Watts)	6.4	6.3
Energy Efficiency (CFM/Watt)	8.9	6.5
Speed (RPM)	1063	1264
Current (Amps)	0.18 Max	
Power Rating (V/Hz)	120/60	