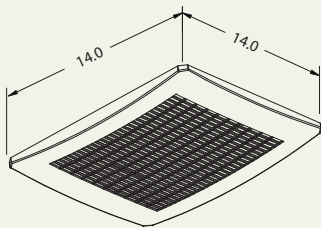
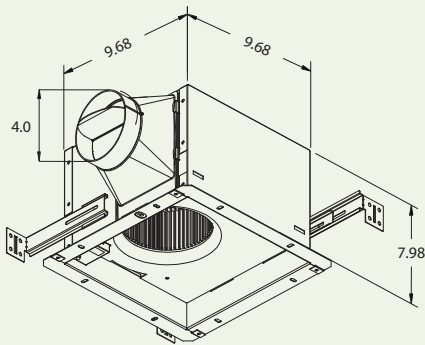




Delta Breez Ventilation Single Speed Fan Specifications

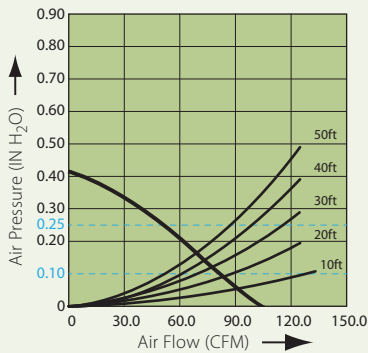
VFB25AC
(80 CFM)

Dimensions



UNIT: INCH

Fan Curve



Description

Low noise ceiling mount ventilating fan rated for continuous running. Evaluated by Underwriter Laboratories and conforms to both UL and cUL safety standards.

Motor/Blower

- Power Rating of 110~220volts/50~60Hz.
- DC Brushless motor engineered to run continuously.
- Motor equipped with thermal cutoff fuse.
- Permanently lubricated motor.

Housing

- Galvanized steel body.
- Detachable 4" diameter duct adapter.
- Built in backdraft damper.
- Easy installation.

Grille

- Attractive design using ABS material.
- Attaches directly to housing with torsion springs.

Warranty

- 3 year limited warranty.

Features

- For ceiling mount only, air flow of 80 CFM ($\pm 10\%$) and < 0.3 Sones at 0.1" static pressure.
- Power consumption approximately 7.1 Watts with an efficiency rating approximately 11.75 CFM/Watt at 0.1" static pressure.
- Duct diameter no less than 4".
- UL and cUL listed for tub/shower enclosure when used with GFCI branch circuit wiring.

DC Motor Technology

- Built in soft start function to increase bearings life.
- Automatically powers OFF when impeller is locked abnormally.

Specifications

VFB25AC	4" Duct (Standard)	
Static Pressure (Inches w.g.)	0.1	0.25
Air Flow (CFM)	80	54.2
Sones	<0.3	N/A
Power Consumption (Watts)	7.1	8.3
Energy Efficiency (CFM/Watt)	11.75	6.51
Speed (RPM)	876	1111
Current (Amps)	0.12 @ 110 Vac	
Power Rating (V/Hz)	110~220/50~60	