

**Description**

Low noise ceiling mount ventilating fan rated for continuous running. Evaluated by Underwriter Laboratories and conforms to both UL and cUL safety standards.

**Motor/Blower**

- Power Rating of 120 volts / 60Hz.
- DC Brushless motor engineered to run continuously.
- Motor equipped with thermal cutoff fuse.
- Permanently lubricated motor.

**Housing**

- Galvanized steel body.
- Detachable 4" diameter duct adapter.
- Built in backdraft damper.
- Easy installation.

**Grille**

- Attractive design using ABS material.
- Attaches directly to housing with included grille bracket

**Light**

- 26 Watt GU24 CFL.

**LED Indicator**

- Turn on the power switch to operate ON/OFF, and LED indicator is green.

**Warranty**

- 3 year limited warranty.

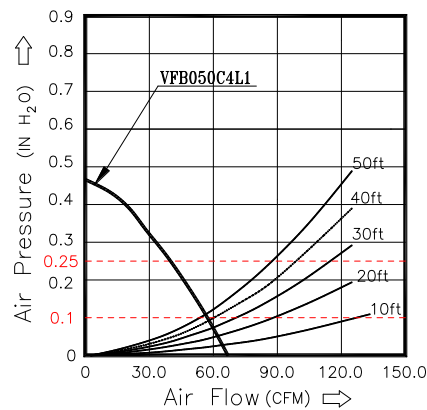
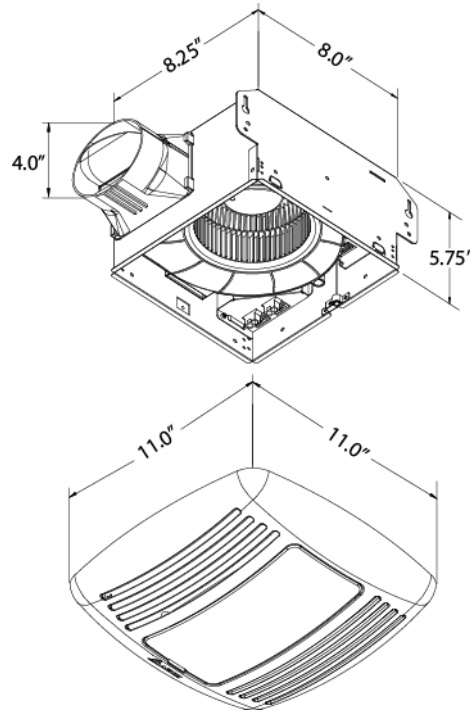
**Feature**

- For ceiling mount only, airflow of 50 CFM (±10%) and <0.3 Sones at 0.1 static pressure.
- Power consumption approximately 4.3 Watts with an efficiency rating approximately 12.2 CFM / Watt at 0.1 static pressure.
- Duct diameter no less than 4".
- UL and cUL listed for tub/shower enclosure when used with GFCI branch circuit wiring.

VFB050C4L1	4" Duct (Standard)	
Static Pressure (inches w.g.)	0.1	0.25
Air Flow (CFM)	50	38
Sones	<0.3	0.7
Power Consumption (Watts)	4.3	5.8
Energy Efficiency (CFM/Watt)	12.2	7.0
Current (Amps)	0.05 @ 120Vac	
Power Rating (V/Hz)	120 / 60	

**DC Motor Technology**

- Built in soft start function to increase bearings life.
- Automatically power OFF when impeller is locked abnormally.



Model	Quantity	Comments	Project:
			Location:
			Architect:
			Engineer:
			Contractor:
			Submitted by:
			Date:

**Description**

Low noise ceiling mount ventilating fan rated for continuous running. Evaluated by Underwriter Laboratories and conforms to both UL and cUL safety standards.

**Motor/Blower**

- Power Rating of 120 volts / 60Hz.
- DC Brushless motor engineered to run continuously.
- Motor equipped with thermal cutoff fuse.
- Permanently lubricated motor.

**Housing**

- Galvanized steel body.
- Detachable 4" diameter duct adapter.
- Built in backdraft damper.
- Easy installation.

**Grille**

- Attractive design using ABS material.
- Attaches to housing with included grille bracket.

**Light**

- 26 Watt GU24 CFL.

**LED Indicator**

- Turn on the power switch to operate ON/OFF, and LED indicator is green.

**Warranty**

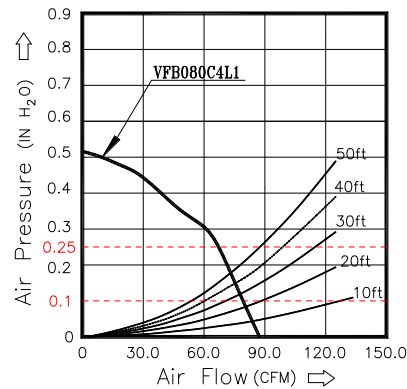
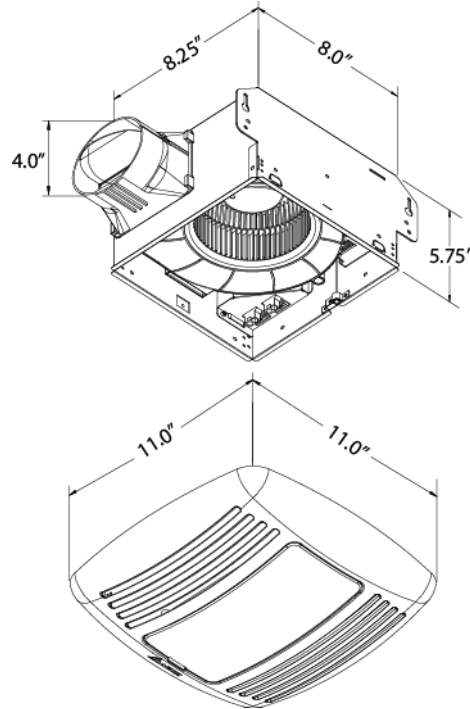
- 3 year limited warranty.

**Feature**

- For ceiling mount only, airflow of 80 CFM (±10%) and 0.8 Sones at 0.1 static pressure.
- Power consumption approximately 8.7 Watts with an efficiency rating approximately 9.2 CFM/Watt at 0.1 static pressure.
- Duct diameter no less than 4".
- UL and cUL listed for tub/shower enclosure when used with GFCI branch circuit wiring.

**DC Motor Technology**

- Built in soft start function to increase bearings life.
- Automatically power OFF when impeller is locked abnormally.

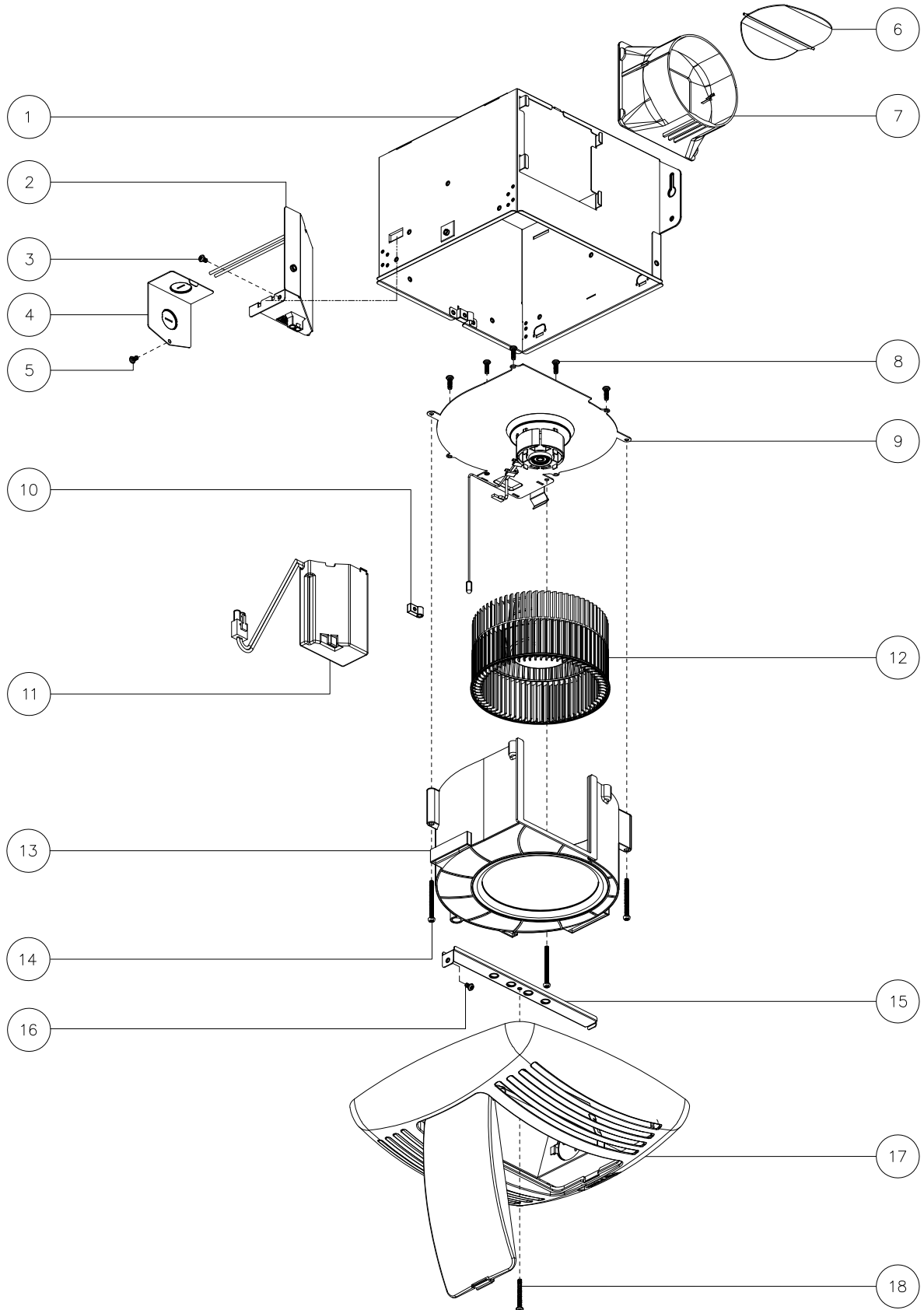


VFB080C4L1	4" Duct (Standard)	
Static Pressure (inches w.g.)	0.1	0.25
Air Flow (CFM)	80	65
Sones	0.8	1.0
Power Consumption (Watts)	8.7	9.7
Energy Efficiency (CFM/Watt)	9.2	6.8
Current (Amps)	0.07 @ 120Vac	
Power Rating (V/Hz)	120 / 60	

Model	Quantity	Comments	Project:
			Location:
			Architect:
			Engineer:
			Contractor:
			Submitted by:
			Date:

# Part Identification

MODEL VFB050C4L1, VFB080C4L1



## Part List

MODEL VFB050C4L1, VFB080C4L1

ITEM	PART NAME	MATERIAL	Q'TY
1	HOUSING	SGCC	1
2	COMPARTMENT	SGCC	1
3	SCREW M4x6	S10C	1
4	COVER	SGCC	1
5	SCREW M4x6	S10C	1
6	DAMPER	ABS	1
7	DUCT	ABS	1
8	SCREW T4x12	S18C	5
9	MOTOR ASSY	---	1
10	LED HOLDER	NYLON66	1
11	POWER ASSY	---	1
12	ROTOR ASSY	---	1
13	FRAME	ABS	1
14	SCREW M4x45	S18C	3
15	GRILLE BRACKET	SGCC	1
16	SCREW M4x6	S10C	1
17	GRILLE ASSY	---	1
18	#8-32x30 SCREW	S18C	1