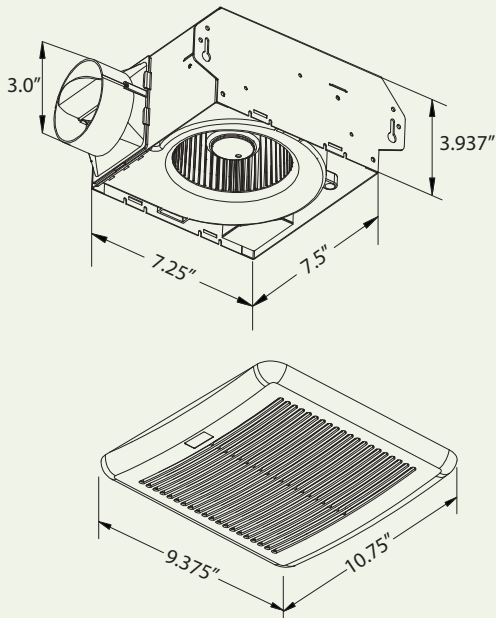




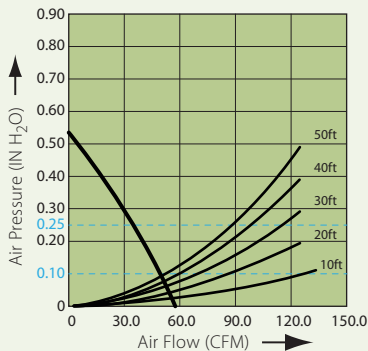
## Delta BreezSlim Ventilation Super Low Profile Fan Specifications

VFB050B3A1  
(50 CFM)

### Dimensions



### Fan Curve



### Description

Low noise ceiling mount ventilating fan with super low profile rated for continuous running. Evaluated by Underwriter Laboratories and conforms to both UL and cUL safety standards.

### Motor/Blower

- Power Rating of 120volts/60Hz.
- DC Brushless motor engineered to run continuously.
- Motor equipped with thermal cutoff fuse.
- Removable with permanently lubricated plug-in motor.

### Housing

- Galvanized steel body.
- Detachable 3" diameter duct adapter.
- Built in backdraft damper.
- Easy installation.

### Grille

- Attractive design using ABS material.
- Attaches directly to housing with torsion springs.

### Warranty

- 3 year limited warranty.

### Features

- For ceiling mount only, air flow of 50 CFM ( $\pm 10\%$ ) and 1.0 Sone at 0.1" static pressure.
- Power consumption approximately 6.4 Watts with an efficiency rating approximately 8.9 CFM/Watt at 0.1" static pressure.
- Duct diameter no less than 3".
- UL and cUL listed for tub/shower enclosure when used with GFCI branch circuit wiring.

### DC Motor Technology

- Built in soft start function to increase bearings life.
- Automatically powers OFF when impeller is locked abnormally.

### Specifications

VFB050B3A1	3" Duct (Standard)	
Static Pressure (Inches w.g.)	0.1	0.25
Air Flow (CFM)	50	36
Sones	1.0	1.2
Power Consumption (Watts)	6.4	6.3
Energy Efficiency (CFM/Watt)	8.9	6.5
Speed (RPM)	1063	1264
Current (Amps)	0.18 @ 120 Vac	
Power Rating (V/Hz)	120/60	