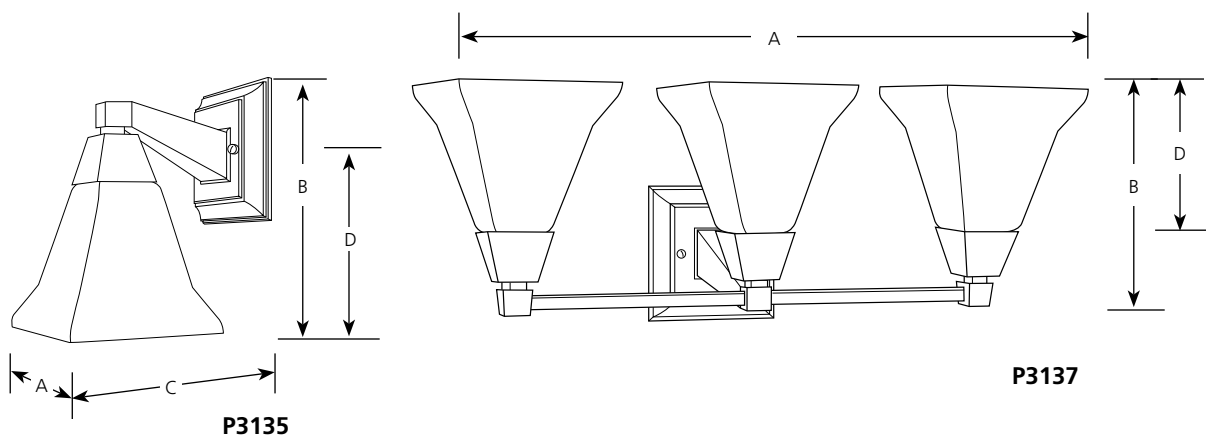


Type	-03	-09	-15	-74
P3135	<input type="checkbox"/>	<input type="checkbox"/>	<input type="checkbox"/>	<input type="checkbox"/>
P3136	<input type="checkbox"/>	<input type="checkbox"/>	<input type="checkbox"/>	<input type="checkbox"/>
P3137	<input type="checkbox"/>	<input type="checkbox"/>	<input type="checkbox"/>	<input type="checkbox"/>

Catalog No.	Finish				Lamping	Dimensions (Inches)			
	Aged Pewter	Brushed Nickel	Polished Chrome	Venetian Bronze		A	B	C	D
P3135	-03	-09	-15	-74	1 (m) 100w	5-3/4	8-3/4	7-3/4	6-3/8
P3136	-03	-09	-15	-74	2 (m) 100w	14-3/8	8-3/4	7-3/4	6-3/8
P3137	-03	-09	-15	-74	3 (m) 100w	23	8-3/4	7-3/4	6-3/8



Specifications:

General

- Square etched opal glass shades: 5-3/4" sq x 5-5/8" ht., 1-5/8" center hole
- Square bar style arms
- Square single back plate
- Plated finishes
- Steel construction

Mounting

- Wall mounted
- Can be mounted in up or down position
- Canopy or back plate covers a standard 4" octagonal recessed outlet box
- Backplate dimension is 5" sq. x 7/8" deep
- Mounting strap for outlet box included

Electrical

- Pre-wired
- Threaded socket ring secures glass

Labeling

- UL-CUL damp location listed