



Electronic Flush Valves & Retrofit Kits

Rough-in for 1601T6104TR Battery operated concealed flush valve-for Wallhung Water Closet with 1.50" Back Inlet spud and 4" x 4" front access cover

Model No: 1601T6104RI-48

COMPLIES WITH:

- CSA certified.
- Complies to ASSE 1037
- IAPMO listed
- ADA compliant and meets Handicapped Accessibility Standard ASME 117.1 of less than 5 lbs operating force
- (Contact Delta Representative for State and/or Local Approvals)



SPECIFICATION:

- Roughin Only (Trim must be purchased separately)
- Electronic solenoid activated Teck® concealed diaphragm flush valve
- Adjustable 110mm (4.31") to 132mm (5.19") inlet/valve outlet centers
- Vacuum breaker
- Renewable seat
- Chloramine resistant diaphragm attached to guide with forged metal retainer
- Pressure loss check angle stop with wheel handle
- BATTERY operated
- For WALLHUNG WC with 1 1/2" BACK inlet
- With metal mounting box for 4" Wallplate-No Front Access
- 4.8L (1.27 US Gal.) Factory Set Flush at 60 psi - Not Field Adjustable

OPERATION:

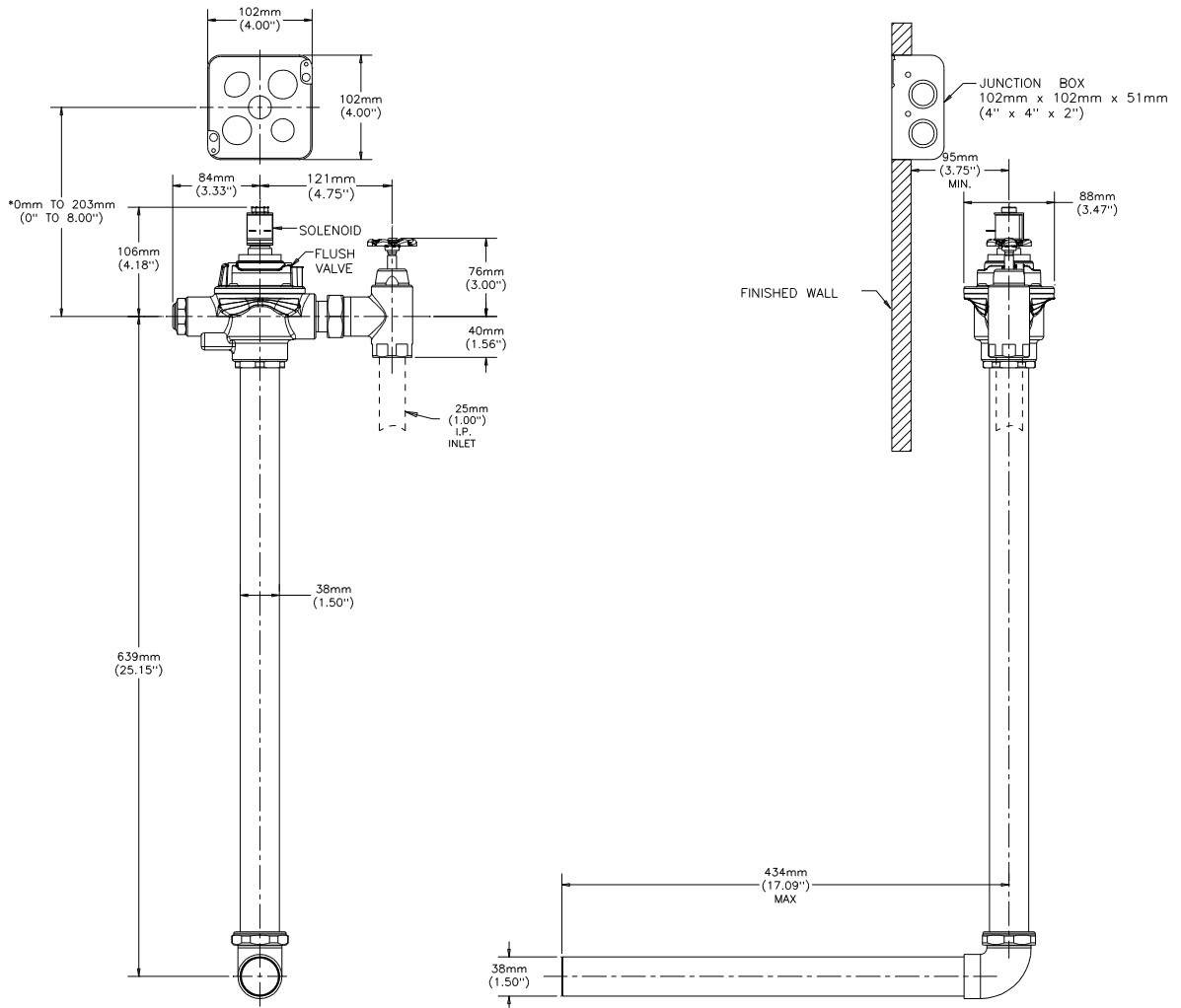
- 8 second blocking time
- 4 second activation delay
- Adjustable flush volume using adjustment screw on flush valve
- Selectable sensing distance: 24" to 56" in 8" increments. Factory set to 40"
- 24 hour courtesy flush factory set to off

(Dimensional drawing on following page)

Delta reserves the right (1) to make changes to specifications and materials, and (2) to change or discontinue models, both without notice or obligation. Dimensions are for reference. Measurement may vary plus or minus 6mm(0.25"). Mounting locations are suggested only. Check with local codes for requirements in your area.

Delta Faucet Company - 55 East 111th St. - Indianapolis, Indiana, USA 46280 - (317) 848-1812
Delta Faucet Canada - 395 Matheson Blvd E - Mississauga, Ontario, Canada L4Z 2H2 - (905) 712-3030

Model No: 1601T6104RI-48



* REFER TO M&I SHEET FOR COMPLETE JUNCTION BOX INSTALLATION INSTRUCTIONS

Delta reserves the right (1) to make changes to specifications and materials, and (2) to change or discontinue models, both without notice or obligation. Dimensions are for reference. Measurement may vary plus or minus 6mm(0.25"). Mounting locations are suggested only. Check with local codes for requirements in your area.

Delta Faucet Company - 55 East 111th St. - Indianapolis, Indiana, USA 46280 - (317) 848-1812
 Delta Faucet Canada - 395 Matheson Blvd E - Mississauga, Ontario, Canada L4Z 2H2 - (905) 712-3030