



Lavatory Faucets

Widespread with CER-TECK® ceramic structures

Model No: 23C674-TI

COMPLIES WITH:

- CSA certified.
- Complies to ASME A112.18.1/CSA B125.1
- Verified to <0.25% Pb average wetted surface regulations
- (Contact Delta Representative for State and/or Local Approvals)
- 102 mm (4") Blade Handle ADA compliant and meets Handicapped Accessibility Standard ICC/ANSI A117.1 of less than 5 lbs operating force



NOTES:

Verified to <0.25% Pb average wetted surface regulations

CA/VT Compliance:

This COMPLETE SERIES is ONLY available as CA/VT Compliant product as of Nov. 1, 2009.

The Product Numbers have NOT changed.

Product Variations(23C6) - NOTE: For Best Delivery, order CER-TECK® Product

SPECIFICATION:

- Two handle widespread lavatory faucet
- 152 to 305 mm (6" to 12") adjustable centers
- Polished chrome plated finish trim
- Metal hold-down package
- CAST BRASS bodies
- Spout: R2 - Smooth End Gooseneck spout- 4.5" radius-Standard rigid/swivel field installation- Vandal resistant .090" wall thickness(R2)
- Outlet#: 7 - Smooth Spout End with Laminar Flow Control in Spout Base - 1.0 GPM (3.8L/min)
- Handle#: 4 - 102 mm (4") Blade Handles- ADA Compliant-Sanitary Hoods- Metal-Color indexed-Vandal resistant screws
- Handle Temperature Indicators
- Heavy Duty Rigid/Swivel Inline (R2) Gooseneck Spout Less Pop-up

OPERATION:

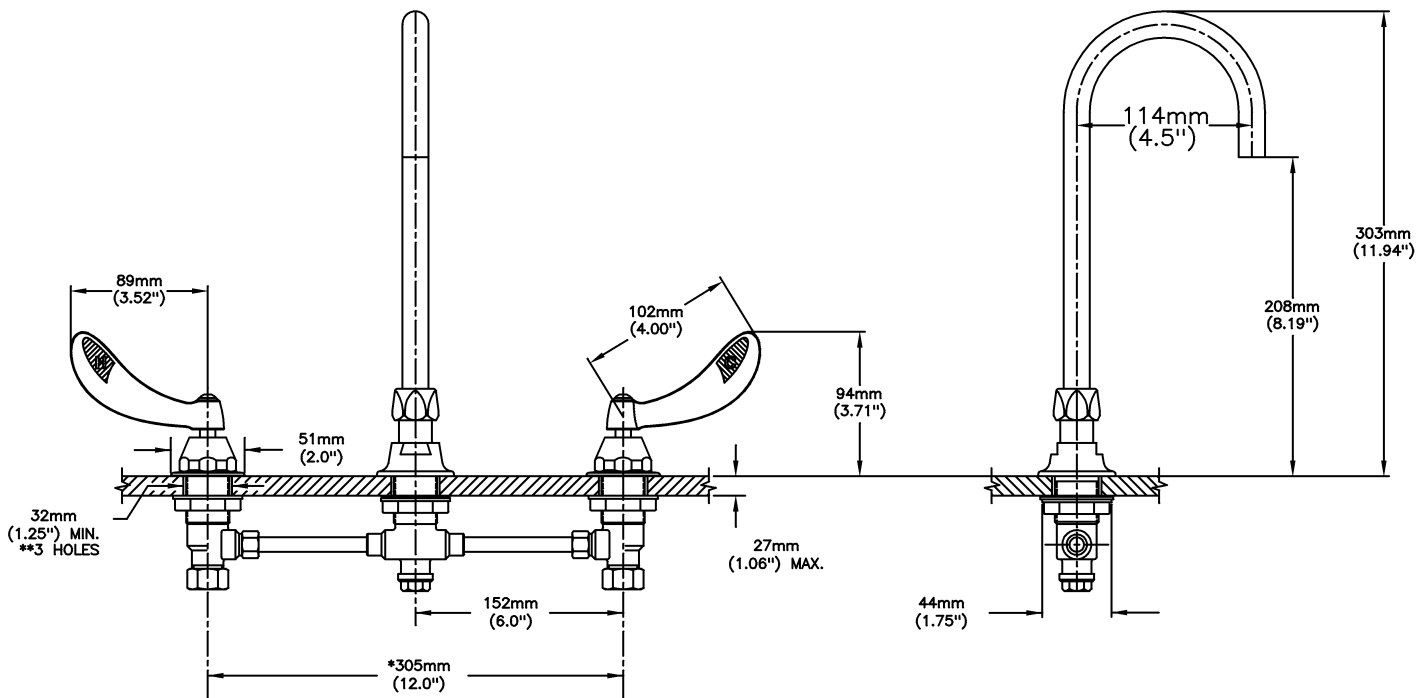
- Not Available

(Dimensional drawing on following page)

Delta reserves the right (1) to make changes to specifications and materials, and (2) to change or discontinue models, both without notice or obligation. Dimensions are for reference. Measurement may vary plus or minus 6mm(0.25"). Mounting locations are suggested only. Check with local codes for requirements in your area. This spec was produced July 18, 2013.

Delta Faucet Company - 55 East 111th St. - Indianapolis, Indiana, USA 46280 - (317) 848-1812
Delta Faucet Canada - 395 Matheson Blvd E - Mississauga, Ontario, Canada L4Z 2H2 - (905) 712-3030

Model No: 23C674-T1



* CAN BE CUT IN FIELD TO 152mm (6.0") MINIMUM

INLET FOR 3/8" OR 1/2" FLEXIBLE RISER
OR 1/2-14 NPSM COUPLING NUT (SUPPLIED)

Delta reserves the right (1) to make changes to specifications and materials, and (2) to change or discontinue models, both without notice or obligation. Dimensions are for reference. Measurement may vary plus or minus 6mm(0.25"). Mounting locations are suggested only. Check with local codes for requirements in your area. This spec was produced July 18, 2013.

Delta Faucet Company - 55 East 111th St. - Indianapolis, Indiana, USA 46280 - (317) 848-1812
Delta Faucet Canada - 395 Matheson Blvd E - Mississauga, Ontario, Canada L4Z 2H2 - (905) 712-3030