



## Lavatory Faucets

4" Centerset- CER-TECK® ceramic structures

### Model No: 21C255

#### COMPLIES WITH:

- CSA certified.
- Complies to ASME A112.18.1/CSA B125.1
- Verified compliant with 0.25% weighted average Pb content regulations
- Verified to <0.25% Pb average wetted surface regulations
- (Contact Delta Representative for State and/or Local Approvals)
- 152 mm (6") Wrist Blade Handle ADA compliant and meets Handicapped Accessibility Standard ICC/ANSI A117.1 of less than 5 lbs operating force



#### NOTES:

Verified to <0.25% Pb average wetted surface regulations

CA/VT Compliance:

This COMPLETE SERIES is ONLY available as CA/VT Compliant product as of July 31, 2009.

The Product Numbers have NOT changed.

***(Dimensional drawing on following page)***

#### SPECIFICATION:

- HEAVY DUTY CAST BRASS centerset faucet
- 102 mm (4")centers, two handle
- Polished chrome plated finish with polished underspout
- Metal hold-down package
- Outlet#: 5 - Vandal Resistant Non-Aerating Spray Outlet -0.5 GPM (1.9 L/min) Flow Rate at 60 psi- pressure compensating
- Handle#: 5 - 152 mm (6") Wrist Blade Handles-ADA Compliant- Sanitary Hoods-Metal-Color indexed-Vandal resistant screws
- Standard Product With Metal Pop-up

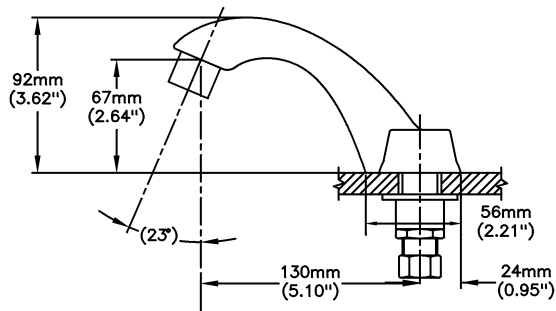
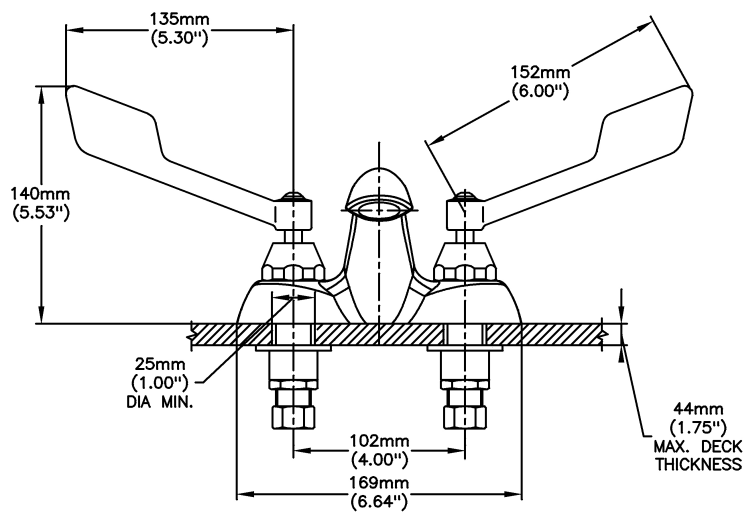
#### OPERATION:

- Not Available

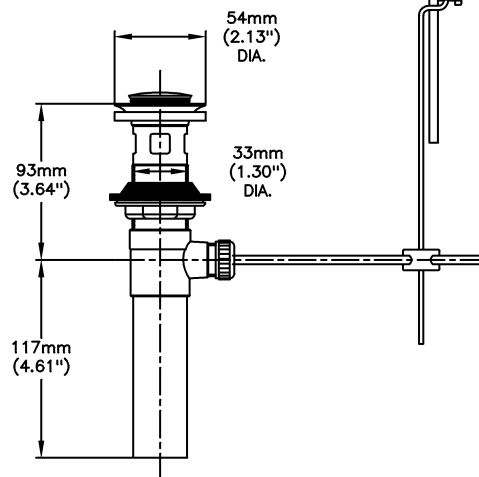
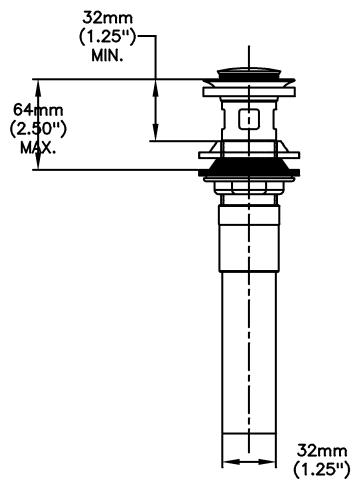
Delta reserves the right (1) to make changes to specifications and materials, and (2) to change or discontinue models, both without notice or obligation. Dimensions are for reference. Measurement may vary plus or minus 6mm(0.25"). Mounting locations are suggested only. Check with local codes for requirements in your area. This spec was produced July 18, 2013.

Delta Faucet Company - 55 East 111th St. - Indianapolis, Indiana, USA 46280 - (317) 848-1812  
Delta Faucet Canada - 395 Matheson Blvd E - Mississauga, Ontario, Canada L4Z 2H2 - (905) 712-3030

Model No: 21C255



INLETS: 1/2" MIP/COUPLING NUTS



Delta reserves the right (1) to make changes to specifications and materials, and (2) to change or discontinue models, both without notice or obligation. Dimensions are for reference. Measurement may vary plus or minus 6mm(0.25"). Mounting locations are suggested only. Check with local codes for requirements in your area. This spec was produced July 18, 2013.