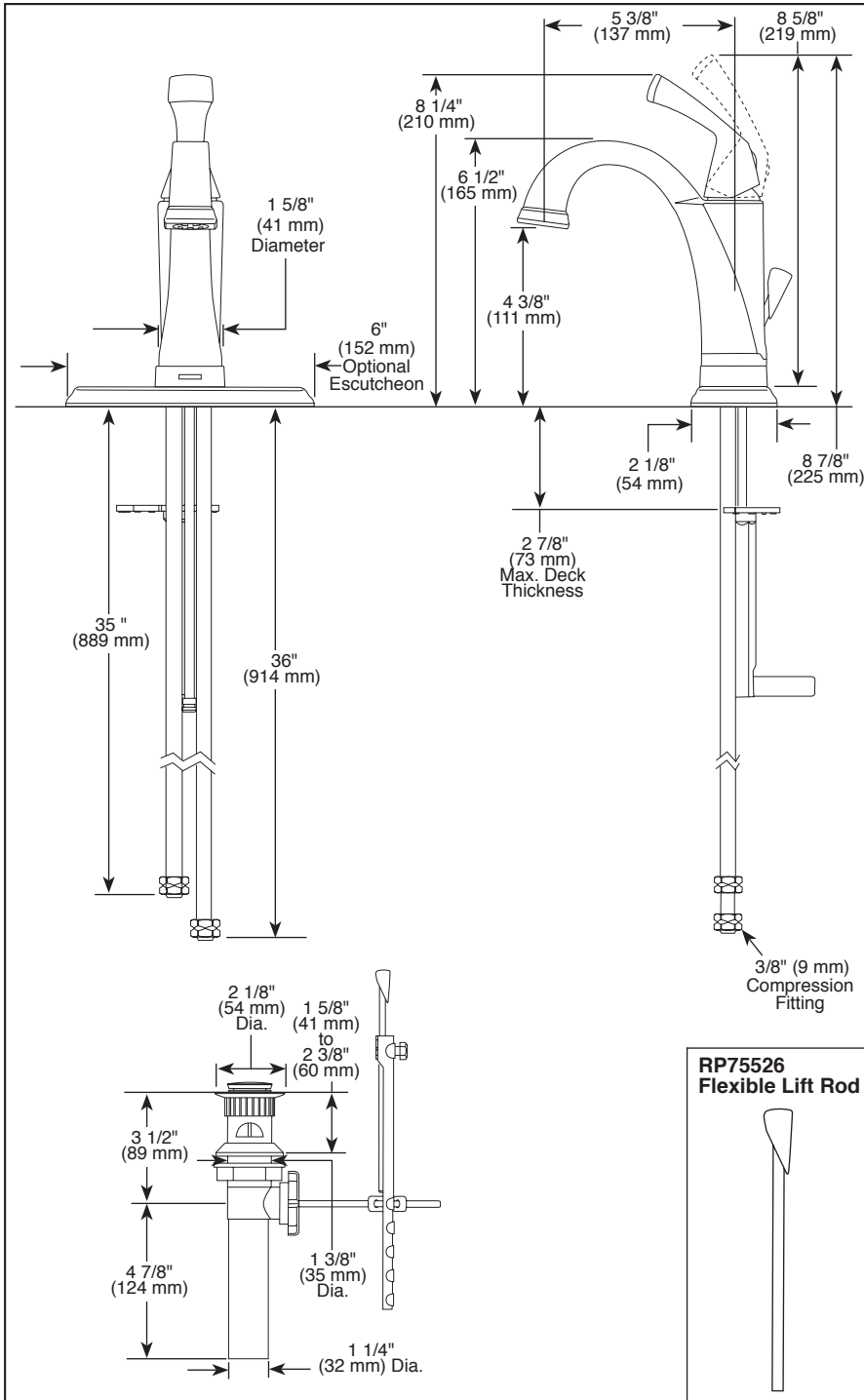


Submitted Model No.: _____

Specific Features: _____



DELTA

LAVATORY FAUCETS

- Dryden™ Collection
 - DIAMOND Seal® Technology
 - Single Handle Deck Mount
 - 1 or 3 Hole Mount
 - (Optional 6" Escutcheon Included)
 - Touch₂O_{xt}™ Technology
- STANDARD SPECIFICATIONS:**

- Single handle lavatory deck faucet.
- 1 or 3 hole mount (6" escutcheon plate included).
- Solid brass body.
- 5 3/8" (137 mm) long spout.
- 1 1/8" minimum - 1 1/2" maximum hole size.
- Lever handle. Control mechanism is the diamond embedded ceramic disc cartridge.
- Control handle shall return to neutral position when valve is turned off.
- 3/8" O.D. straight, staggered pex supply tubes 35" (889 mm) and 36" (914 mm) long.
- Maximum 1.5 gpm flowrate @ 60 PSI.
- Models include polypropylene pop-up.
- Delta Touch₂O_{xt}™ Technology offers both touch and proximity sensing technology to control water flow.
- Blue light flashes for proximity activation and solid blue for touch activation.
- On-off indicator light signals red when batteries are low.
- Uses 4 AA batteries (included).

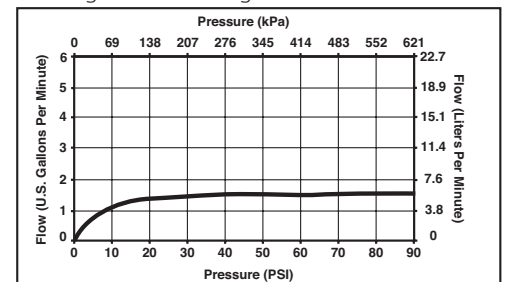
WARRANTY

- Lifetime limited warranty on parts (other than electronic parts and batteries) and finishes: or, for commercial users, for 5 years from date of purchase.
- 5 year limited warranty on electronic parts (other than batteries); or, for commercial users, for 1 year from the date of purchase. No warranty is provided on batteries.



COMPLIES WITH:

- ASME A112.18.1 / CSA B125.1
- ASME A112.18.2 / CSA B125.2
- Indicates compliance to ICC/ANSI A117.1
- EPA WaterSense®
- Verified compliant with .25% weighted average Pb content regulations.



Delta reserves the right (1) to make changes in specifications and materials, and (2) to change or discontinue models, both without notice or obligation. Dimensions are for reference only. See current full-line price book or www.specselect.com for finish options and product availability.

DSP-L-551T-DST Rev. A

55 E. 111th Street, Indianapolis, Indiana 46280
 350 South Edgeware Road, St. Thomas, ON N5P 4L1
 © 2013 Masco Corporation of Indiana