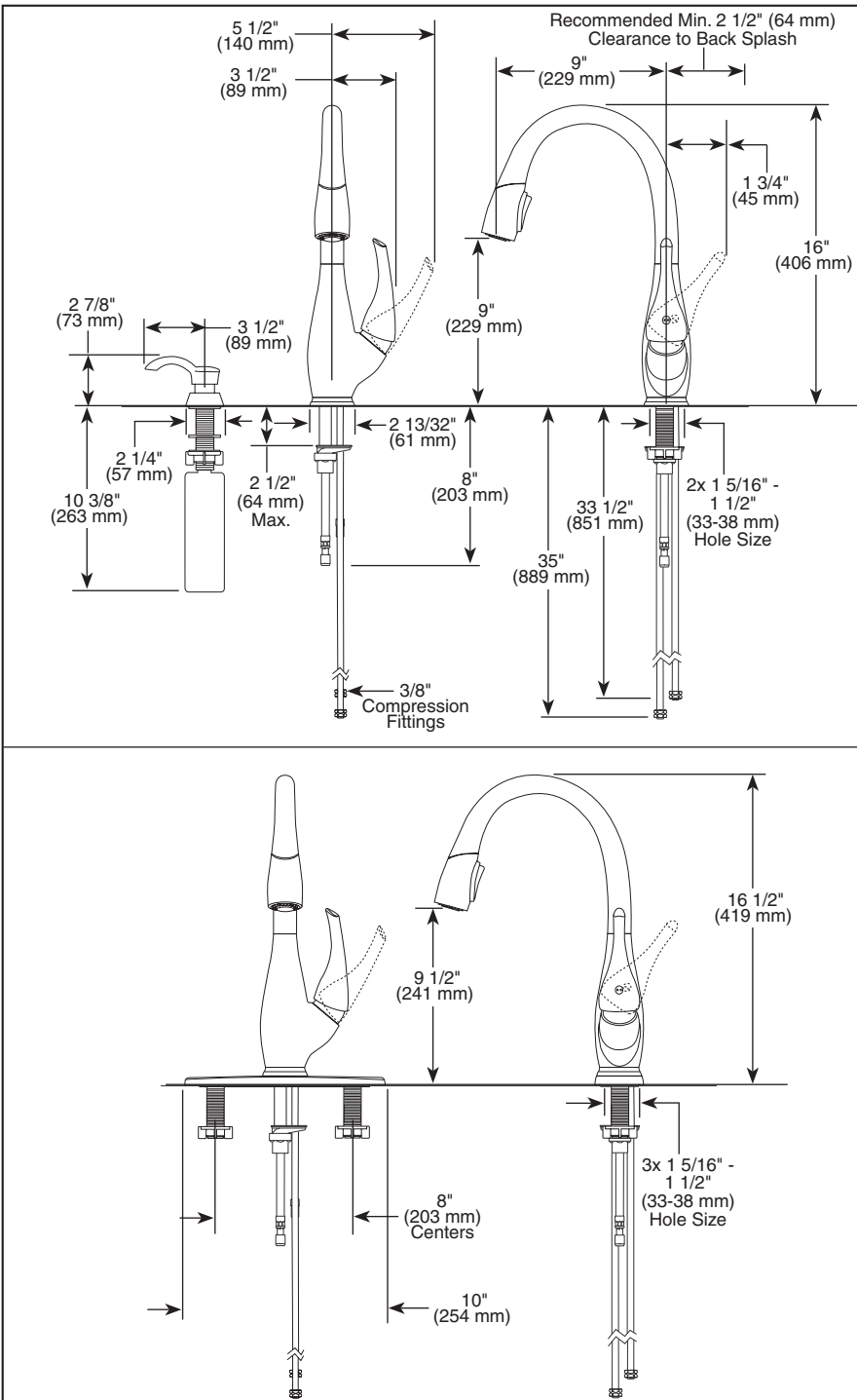


19958-▲SD-DST

19958-▲SD-DST with optional escutcheon

Submitted Model No.: _____

Specific Features: _____



▲ Designate proper finish suffix

Delta reserves the right (1) to make changes in specifications and materials, and (2) to change or discontinue models, both without notice or obligation. Dimensions are for reference only. See current full-line price book or www.specselect.com for finish options and product availability.



KITCHEN FAUCETS

- Fuse™ Pull-Down Collection
- Single Handle Deck Mount
- Single, 2, 3 or 4 Hole Sink Applications
- Optional Soap Dispenser
- Diamond™ Seal Technology
- Integrated Supply Tubes

STANDARD SPECIFICATIONS:

- Centermount or 8" (203 mm) centers with optional 10" (254 mm) escutcheon.
- 16" (406 mm) high, 9" (229 mm) long, spout swings 360°.
- Lever handle. Control mechanism is the diamond embedded ceramic disc cartridge.
- Control shall return to neutral position when faucet is turned off.
- Touch-Clean® 2 function (stream/spray) sprayhead.
- Quick connect hoses.
- Pull-down wand operates in an aerated or spray mode via an ergonomic toggle diverter.
- Red/blue graphics on handle button to indicate hot/cold temperature.
- Magnetic docking system secures sprayer to spout.
- Integral double check valves in sprayer assembly.
- Integral hose lead to aid installation.
- Mounting wrench to assist in tightening mounting nut securely.
- Hose travels inside mounting shank so it will not interfere with deck edges.
- Keyed 10" (254 mm) escutcheon to help alignment and aid installation.
- 3/8" O.D. straight, staggered PEX supply tubes, 33 1/2" (851 mm) and 35" (889 mm).

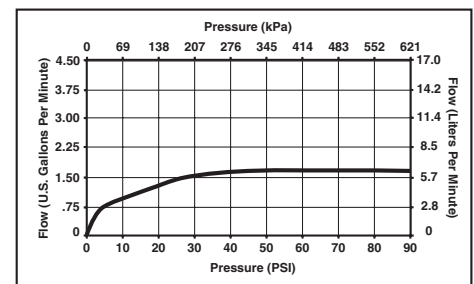
WARRANTY

- Lifetime Faucet and Finish Limited Warranty to the original consumer purchaser to be free from defects in material and workmanship.
- 5 Year Limited Warranty for usage in all industrial, commercial and business applications.



COMPLIES WITH:

- ASME A112.18.1 / CSA B125.1
- ASME A112.18.6
- Indicates compliance to ICC/ANSI A117.1
- Verified compliant with .25% weighted average Pb content regulations.



55 E. 111th Street, Indianapolis, Indiana 46280
 350 South Edgeware Road, St. Thomas, ON N5P 4L1
 © 2011 Masco Corporation of Indiana