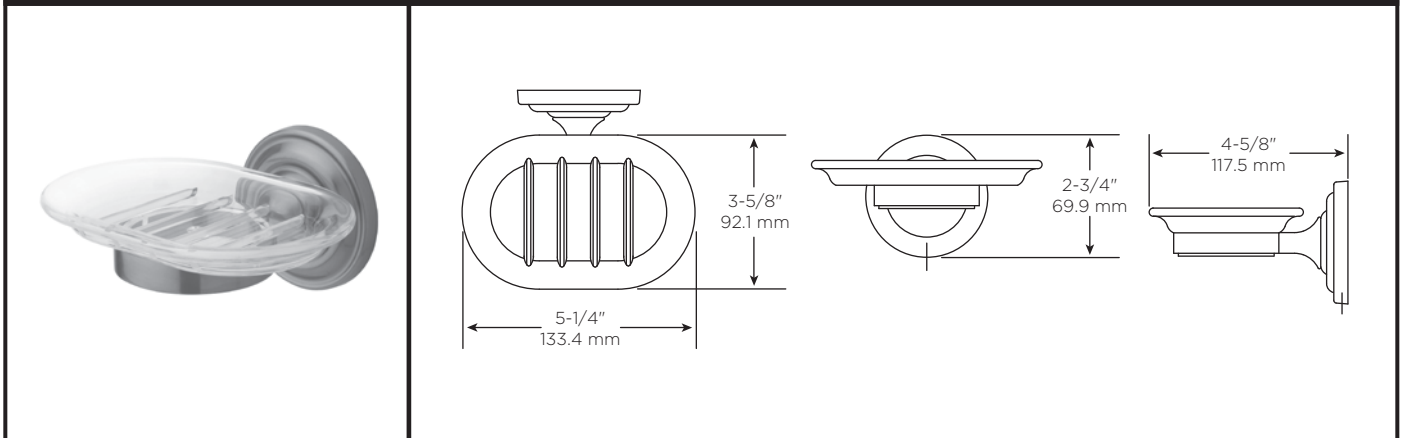


# TECHNICAL DATA

## Greenwich®

## SOAP DISH



**MATERIALS:**  
 Base Plate and Post - Zinc Die Cast  
 Tray - Plastic; Acrylic  
 Wall Plate - Steel x 19 Gauge, Zinc Plated

**OPTIONAL FASTENER INFORMATION:**  
 Wood blocking is preferable behind all wall surfaces. If wood blocking is not available, the following fasteners are suggested: Tile/Masonry - Plastic or Lead Anchors, Plaster/Drywall - Toggle Bolts.

**SPECIFICATION:** Surface mounted soap dish shall be model \_\_\_\_\_  
 (fill in model number) by Liberty Hardware Manufacturing Corporation.

