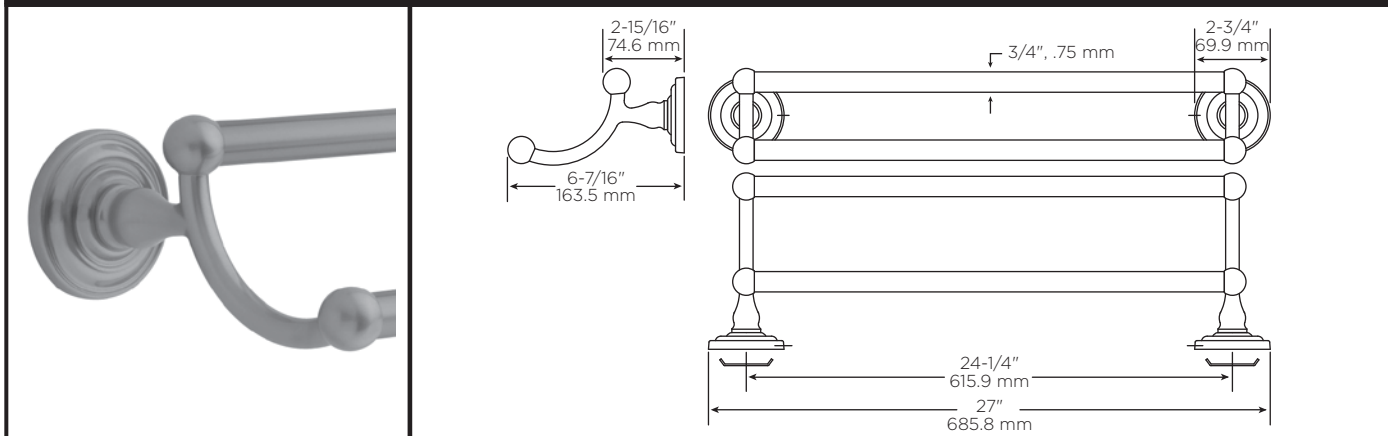


TECHNICAL DATA

Greenwich®

24 in. DOUBLE TOWEL BAR



MATERIALS:
 Base Plate and Post - Zinc Die Cast
 Bars - Aluminum Tube
 Wall Plate - Steel x 19 Gauge, Zinc Plated

OPTIONAL FASTENER INFORMATION:
 Wood blocking is preferable behind all wall surfaces. If wood blocking is not available, the following fasteners are suggested: Tile/Masonry - Plastic or Lead Anchors, Plaster/Drywall - Toggle Bolts.

SPECIFICATION: Surface mounted double towel bar shall be model _____ (fill in model number) by Liberty Hardware Manufacturing Corporation.

