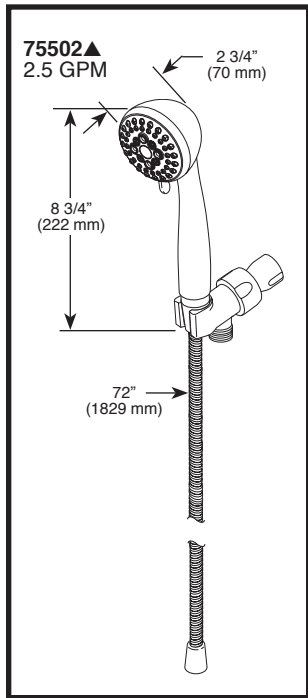


Submitted Model No.: \_\_\_\_\_

Specific Features: \_\_\_\_\_



▲ Designate proper finish suffix



# HAND HELD SHOWERS

## ■ Shower Arm Mount

### STANDARD SPECIFICATIONS:

- 5 spray settings.
- 72" tangle-free hose.
- Touch-clean spray holes.
- Maximum 2.50 gpm @ 80 psi, 9.5 L/min @ 550 kPa

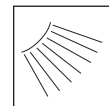
### WARRANTY

- Lifetime limited warranty on parts (other than electronic parts and batteries) and finishes: or, for commercial users, for 5 years from date of purchase.
- 5 year limited warranty on electronic parts (other than batteries); or, for commercial users, for 1 year from the date of purchase. No warranty is provided on batteries.

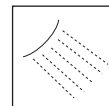
### COMPLIES WITH:

- ASME A112.18.1/CSA B125.1

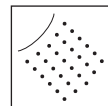
### Spray Patterns



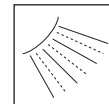
Full Body  
Spray



Fast  
Massage



Soft Drench  
Spray



Full Spray  
w/ Massage



Pause



55 E. 111th Street, Indianapolis, Indiana 46280  
350 South Edgeware Road, St. Thomas, ON N5P 4L1  
© 2015 Masco Corporation of Indiana

Delta reserves the right (1) to make changes in specifications and materials, and (2) to change or discontinue models, both without notice or obligation. Dimensions are for reference only. See current full-line price book or [www.deltafaucet.com](http://www.deltafaucet.com) for finish options and product availability.

DSP-B-75502 Rev. B