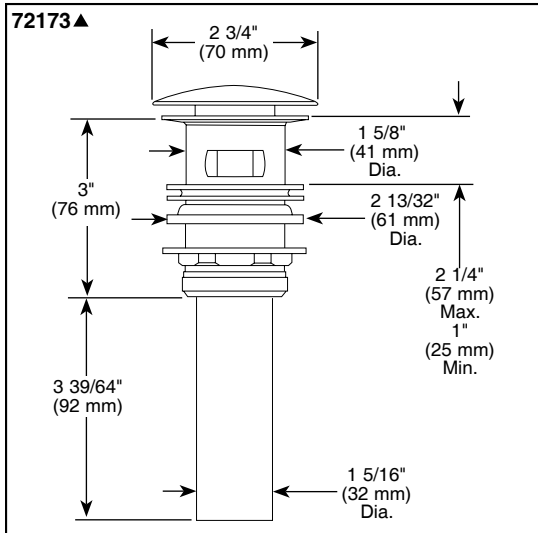
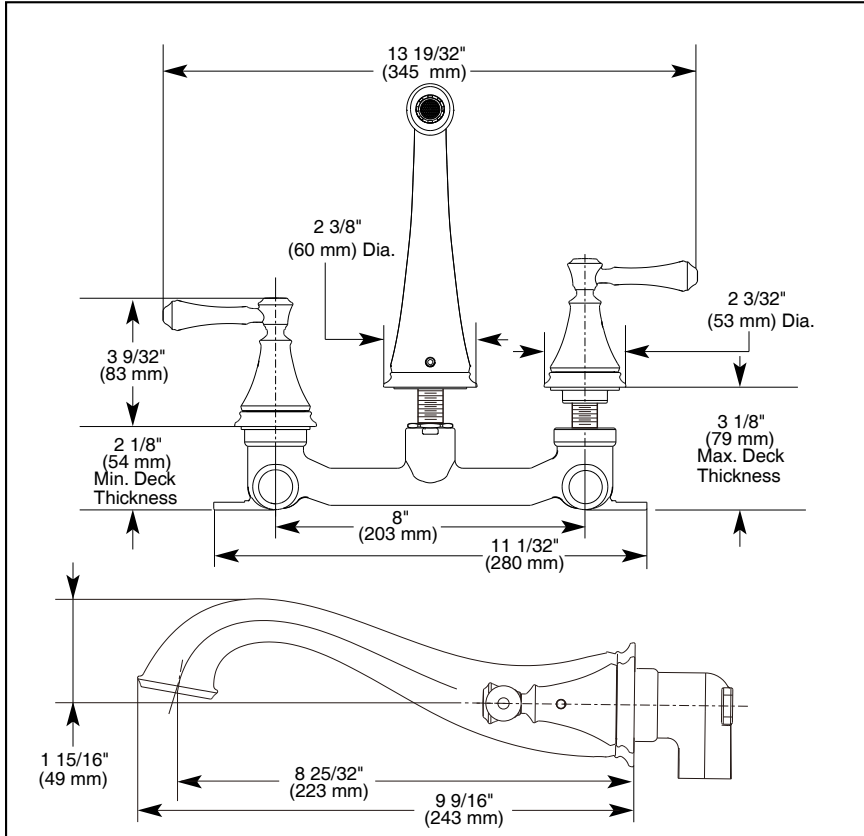


3597LF-▲WL



Submitted Model No.: _____

Specific Features: _____



▲ Designate proper finish suffix

Delta reserves the right (1) to make changes in specifications and materials, and (2) to change or discontinue models, both without notice or obligation. Dimensions are for reference only. See full-line price book or www.specselect.com for finish options and product availability.

DSP-L-3597LF-WL Rev. A



LAVATORY FAUCETS

- Cassidy™ Series
- 3 Hole On Wall
- 8" Centers
- Two Handle

STANDARD SPECIFICATIONS:

- Two handle lavatory faucet for wall mount installation.
- Solid brass fabricated body.
- 8" (203mm) widespread.
- 9 9/16" (243 mm) long rigid spout.
- 1/4 turn handle stops.
- Control mechanism shall be of the rotating cylinder type with ceramic discs and 90° rotation.
- 1/2"-14 NPT threaded female inlets.
- Models have a maximum 1.5 gpm flowrate @ 60 PSI.

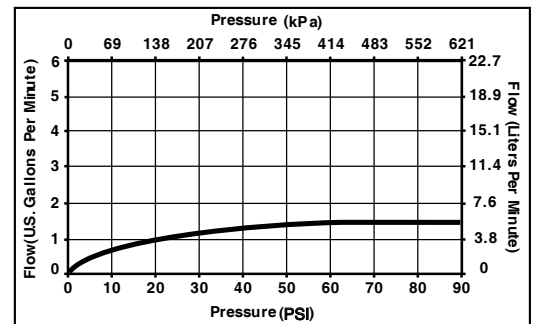
WARRANTY

- Lifetime Faucet and Finish Limited Warranty to the original consumer purchaser to be free from defects in material and workmanship.
- 5 Year Limited Warranty for usage in all industrial, commercial and business applications.



COMPLIES WITH:

- ASME A112.18.1 M / CSA B125.1
 - ASME A112.18.2 / CSA B125.2
 - Indicates compliance to ICC/ANSI A117.1
 - EPA WaterSense
- Verified compliant with 0.25% weighted average Pb content regulations.



55 E. 111th Street, Indianapolis, Indiana 46280
 350 South Edgeware Road, St. Thomas, Ontario Canada N5P 4L1
 © 2012 Masco Corporation of Indiana