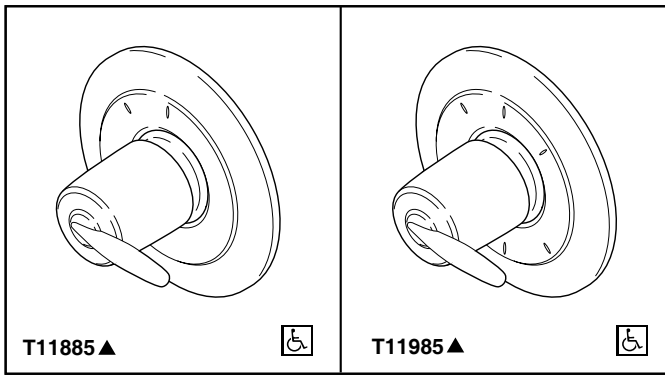




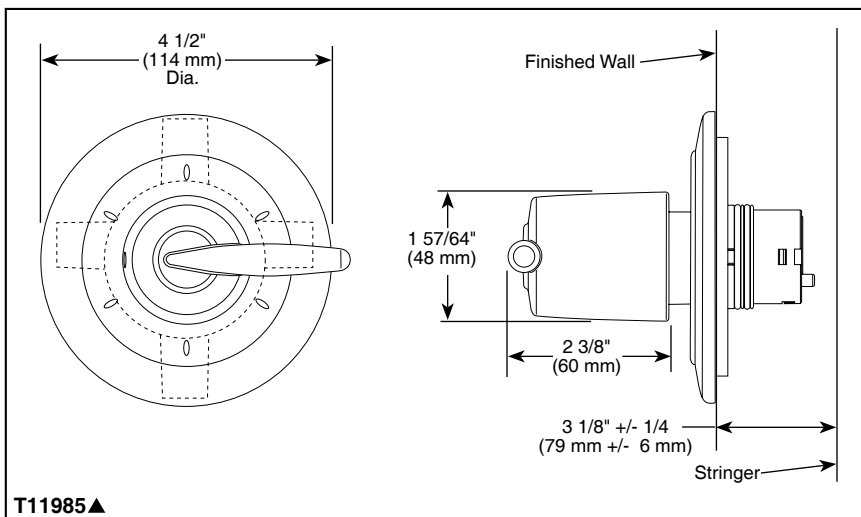
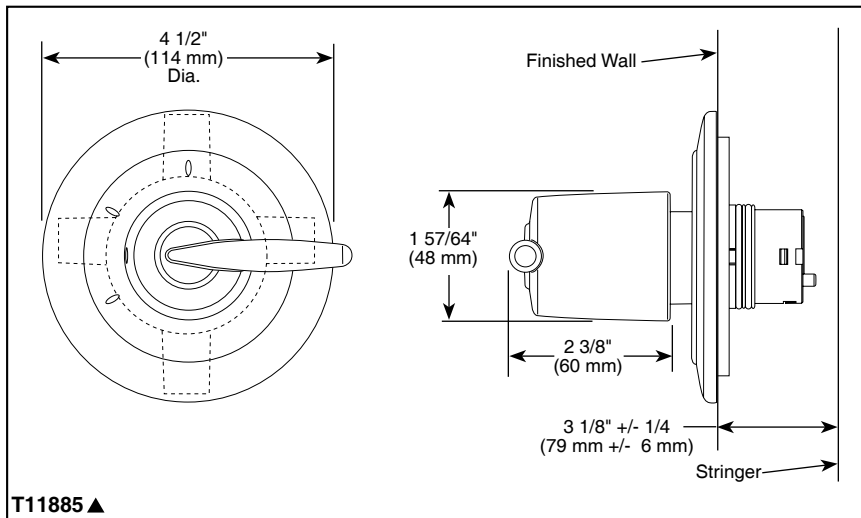
CUSTOM SHOWER DIVERTER

- Grail® Collection
- Three Function Diverter Trim (T11885)
- Six Function Diverter Trim (T11985)
- Coordinates With All Delta Grail® Styled Bath Suites



Submitted Model No.: _____

Specific Features: _____



STANDARD SPECIFICATIONS

- Three function diverter 2 individual positions, 1 shared position.
- Six function diverter 3 individual positions, 3 shared positions.
- 1/2" rough-in.
- Must also order R11000 rough-in.
- Two individual positions, no shared positions order cartridge RP71717.
- Three individual positions, no shared positions order cartridge RP71718.

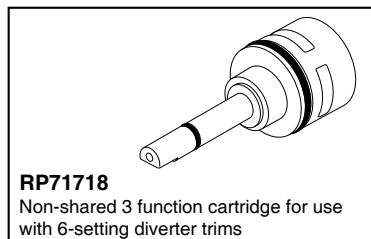
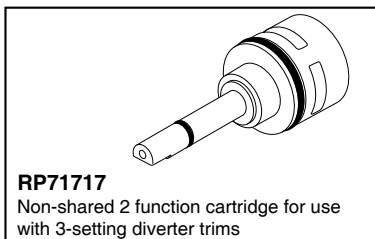
WARRANTY

- Lifetime Faucet and Finish Limited Warranty to the original consumer purchaser to be free from defects in material and workmanship.
- 5 Year Limited Warranty for usage in all industrial, commercial and business applications.



COMPLIES WITH:

- ASME A112.18.1 / CSA B125.1
- Indicates compliance to ICC/ANSI A117.1



▲ Designate proper finish suffix

Delta reserves the right (1) to make changes in specifications and materials, and (2) to change or discontinue models, both without notice or obligation. Dimensions are for reference only. See current full-line price book or www.specselect.com for finish options and product availability.

DSP-B-T11885 Rev. B



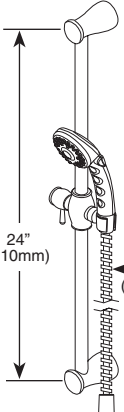
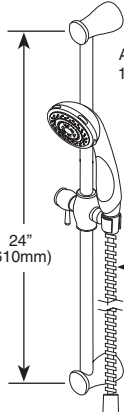
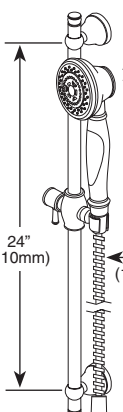
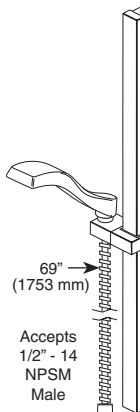
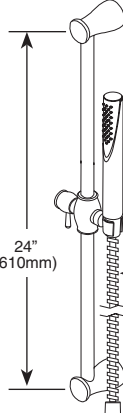
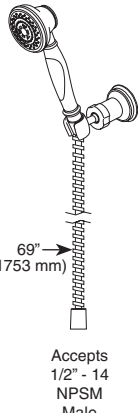
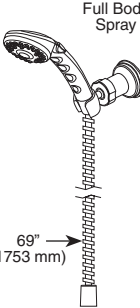
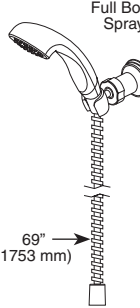
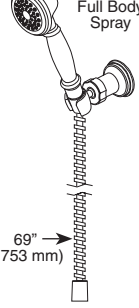
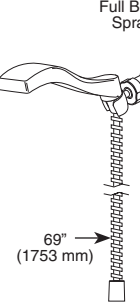
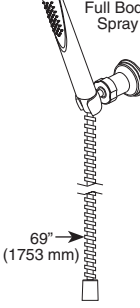
55 E. 111th Street, Indianapolis, Indiana 46280
350 South Edgeware Road, St. Thomas, Ontario Canada N5P 4L1
© 2012 Masco Corporation of Indiana

Submitted Model No.: _____

Specific Features: _____



PERSONAL HAND HELD SHOWERS

<p>57011▲ 2.0 GPM</p>  <p>24" (610mm) 69" (1753 mm)</p> <p>Full Body Spray</p>	<p>57014▲ 2.5 GPM</p>  <p>24" (610mm) 69" (1753 mm)</p> <p>Full Body Spray Accepts 1/2" - 14 NPSM Male Massage Spray Full Spray w/Massage Soft Drench Spray Soft Drench Spray w/ Massage</p>	<p>57021▲ 2.5 GPM</p>  <p>24" (610mm) 69" (1753 mm)</p> <p>Full Body Spray Accepts 1/2" - 14 NPSM Male Massage Spray Full Spray w/Massage Soft Drench Spray Soft Drench Spray w/ Massage</p>		
<p>57051▲ 2.0 GPM</p>  <p>25 3/4" (654 mm) 69" (1753 mm)</p> <p>Full Body Spray</p> <p>Adjustable AS = Aerated Sp</p> <p>Accepts 1/2" - 14 NPSM Male</p>	<p>57085▲ 2.5 GPM</p>  <p>24" (610mm) 69" (1753 mm)</p> <p>Full Body Spray</p> <p>Adjustable AS = Aerated Sp</p> <p>Accepts 1/2" - 14 NPSM Male</p>	<p>55021▲ 2.5 GPM</p>  <p>69" (1753 mm)</p> <p>Full Body Spray Massage Spray Full Spray w/Massage Soft Drench Spray Soft Drench Spray w/ Massage</p> <p>Accepts 1/2" - 14 NPSM Male</p>		
<p>55011▲ 2.0 GPM</p>  <p>69" (1753 mm)</p> <p>Full Body Spray</p> <p>Adjustable AS = Aerated Sp</p> <p>Accepts 1/2" - 14 NPSM Male</p>	<p>55013▲ 2.0 GPM</p>  <p>69" (1753 mm)</p> <p>Full Body Spray</p> <p>Adjustable AS = Aerated Sp</p> <p>Accepts 1/2" - 14 NPSM Male</p>	<p>55020▲ 2.0 GPM</p>  <p>69" (1753 mm)</p> <p>Full Body Spray</p> <p>Adjustable AS = Aerated Sp</p> <p>Accepts 1/2" - 14 NPSM Male</p>	<p>55051▲ 2.0 GPM</p>  <p>69" (1753 mm)</p> <p>Full Body Spray</p> <p>Adjustable AS = Aerated Sp</p> <p>Accepts 1/2" - 14 NPSM Male</p>	<p>55085▲ 2.5 GPM</p>  <p>69" (1753 mm)</p> <p>Full Body Spray</p> <p>Adjustable AS = Aerated Sp</p> <p>Accepts 1/2" - 14 NPSM Male</p>

- 69" (1753 mm) Flexible Hose w/Brass Connections
- Certified Dual Check Valves
- 24" Wall Bar or Handshower
- Wall Mount Handshower

STANDARD SPECIFICATIONS:

- ABS hand held shower with one or five settings – not a positive shut-off.
- 69" (1753 mm) flexible hose.
- Certified dual check valves for backflow protection.
- 24" (610 mm) wall bar with adjustable slide (allows for adjustable shower height) - 57011, 57014, 57021, 57051 and 57085 only. Not to be used as a Grab Bar. Not ADA compliant.
- Wall mount bracket - 55011, 55013, 55020, 55051 and 55085 only.
- 2.5 gpm @ 80 psi (9.5 L/min @ 552 kPa).
- 2.0 gpm @ 80 psi (7.6 L/min @ 552 kPa).

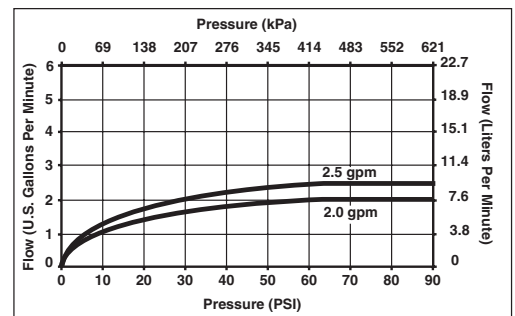
WARRANTY

- Lifetime Faucet and Finish Limited Warranty to the original consumer purchaser to be free from defects in material and workmanship.
- 5 Year Limited Warranty for usage in all industrial, commercial and business applications.



COMPLIES WITH:

- ASME A112.18.1/CSA B125.1 ◆
- * As noted



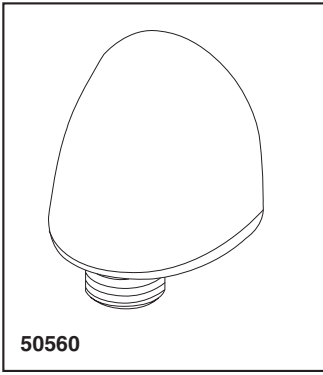
▲ Designate proper finish suffix

◆ Your Delta Faucet hand shower incorporates a backflow protection system that has been tested to be in compliance with ASME A112.18.3 and ASME A112.18.1/CSA B125.1. It incorporates two certified check valves in series, which operate independently and are integral, non-serviceable parts of the wand assembly.



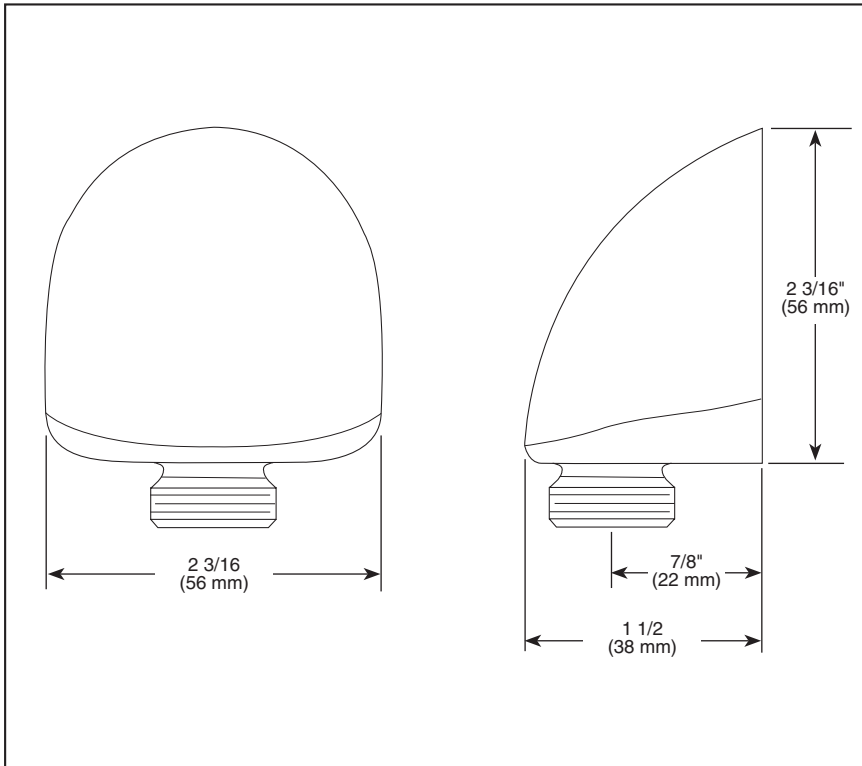
55 E. 111th Street, Indianapolis, Indiana 46280
350 South Edgeware Road, St. Thomas, ON N5P 4L1
© 2011 Masco Corporation of Indiana

Delta reserves the right (1) to make changes in specifications and materials, and (2) to change or discontinue models, both without notice or obligation. Dimensions are for reference only. See current full-line price book or www.specselect.com for finish options and product availability.



Submitted Model No.: _____

Specific Features: _____



ELBOW

STANDARD SPECIFICATIONS

- Solid brass construction.
- 1/2" female NPT inlet.
- 1/2" male NPSM outlet for connecting to shower hoses.

WARRANTY

- Lifetime Faucet and Finish Limited Warranty to the original consumer purchaser to be free from defects in material and workmanship.
- 5 Year Limited Warranty for usage in all industrial, commercial and business applications.

COMPLIES WITH:

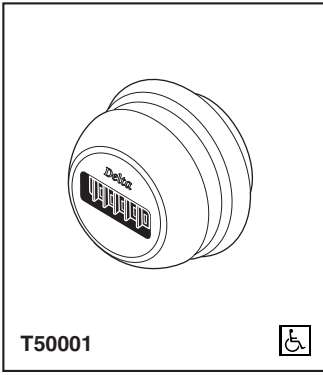
- ASME A112.18.1 / CSA B125.1

Delta reserves the right (1) to make changes in specifications and materials, and (2) to change or discontinue models, both without notice or obligation. Dimensions are for reference only. See current full-line price book or www.specselect.com for finish options and product availability.

DSP-B-50560 Rev. A

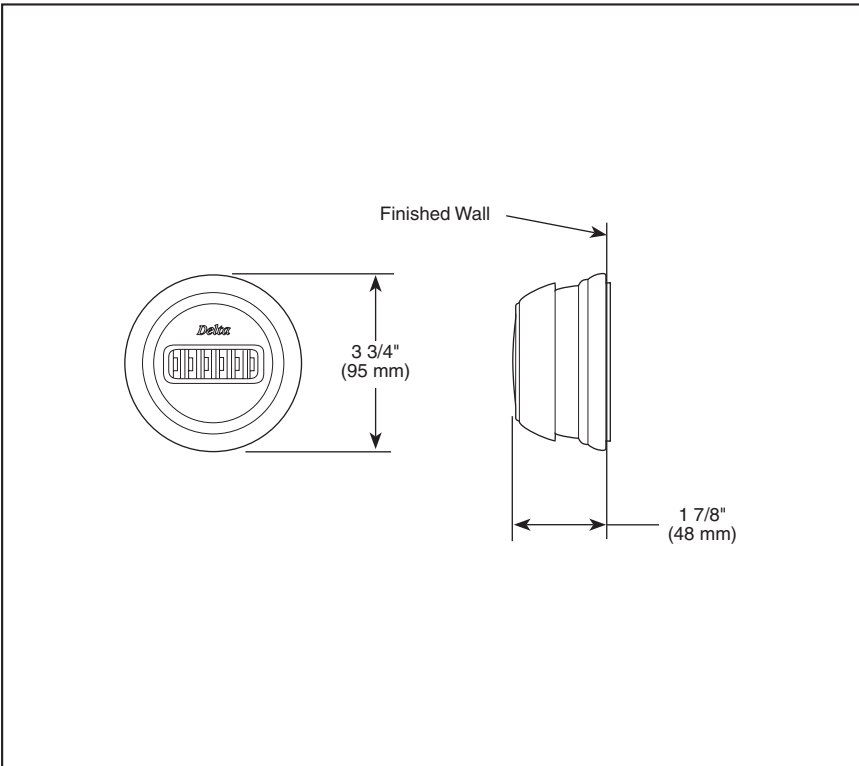


55 E. 111th Street, Indianapolis, Indiana 46280
350 South Edgeware Road, St. Thomas, ON N5P 4L1
© 2012 Masco Corporation of Indiana



Submitted Model No.: _____

Specific Features: _____



BODY SPRAY

- H₂Okinetic Body Spray Trim
- 1.6 GPM, Experience of 2.5 GPM

STANDARD SPECIFICATIONS

- Requires 1/2" R50001 body spray rough-in.
- 1.6 gpm @ 80 PSI, experience of 2.5 gpm.
- Features patented H₂Okinetic Technology®.
- Adjusts both vertically and horizontally.
- Rough opening is 3" to 3 1/8" diameter.
- Previously shipped as complete unit as 50000 series.
- Refer to the installation instructions for more details.

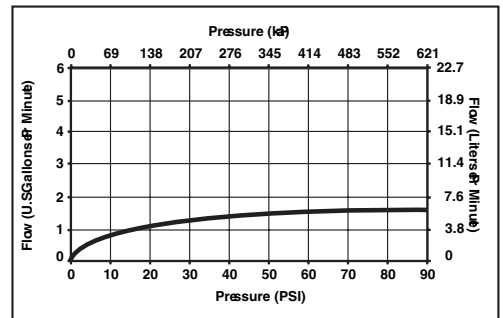
WARRANTY

- Lifetime Faucet and Finish Limited Warranty to the original consumer purchaser to be free from defects in material and workmanship.
- 5 Year Limited Warranty for usage in all industrial, commercial and business applications.



COMPLIES WITH:

- ANSI/ASME A112.18.1 / CSA B125.1
- ICC/ANSI A117.1

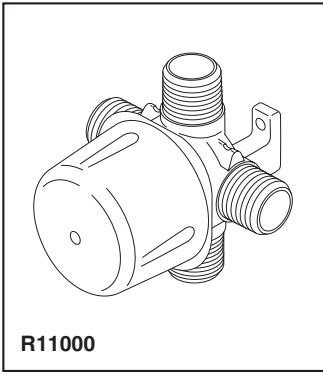


Delta reserves the right (1) to make changes in specifications and materials, and (2) to change or discontinue models, both without notice or obligation. Dimensions are for reference only. See current full-line price book or www.specselect.com for finish options and product availability.

DSP-B-T50001 Rev. C



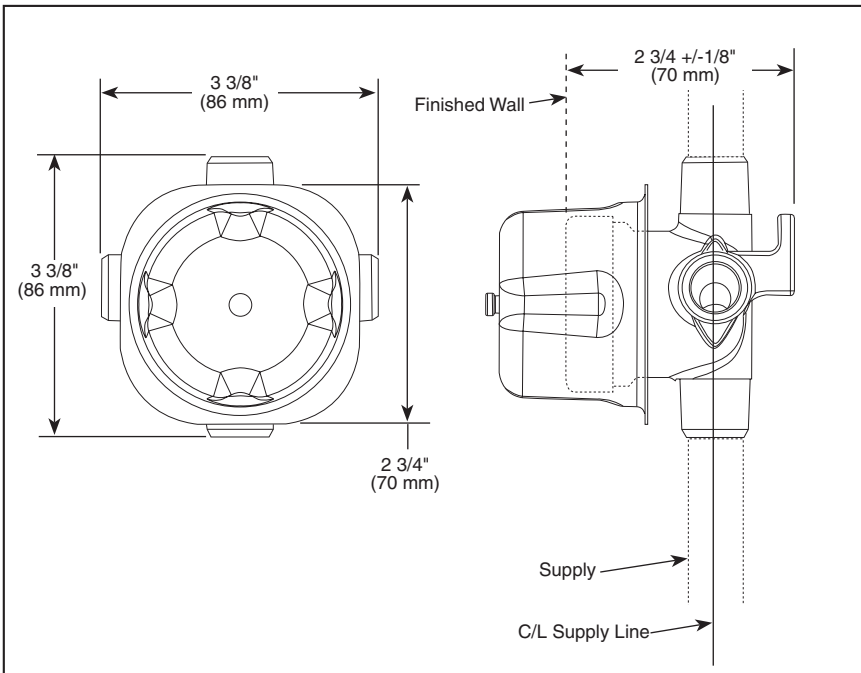
55 E 111th Street, Indianapolis, Indiana 46280
 350 South Edgeware Road, St. Thomas, ON N5P 4C4
 © 2011 Masco Corporation of Indiana



R11000

Submitted Model No.: _____

Specific Features: _____



ROUGH VALVE BODY

- R11000 (Case Qty. 3)
- 1/2" Rough-In

STANDARD SPECIFICATIONS

- Three port diverter rough.
- For use with (3) three or (6) six function diverter.
- Forged brass body.
- Can be tested with air (200 psi) or water (300 psi) using supplied test cap.
- Refer to the installation instructions for more details.

WARRANTY

- Lifetime Faucet and Finish Limited Warranty to the original consumer purchaser to be free from defects in material and workmanship.
- 5 Year Limited Warranty for usage in all industrial, commercial and business applications.



COMPLIES WITH:

- ASME A112.18.1 / CSA B125.1

Delta reserves the right (1) to make changes in specifications and materials, and (2) to change or discontinue models, both without notice or obligation. Dimensions are for reference only. See current full-line price book or www.specselect.com for finish options and product availability.

DSP-B-R11000 Rev. C

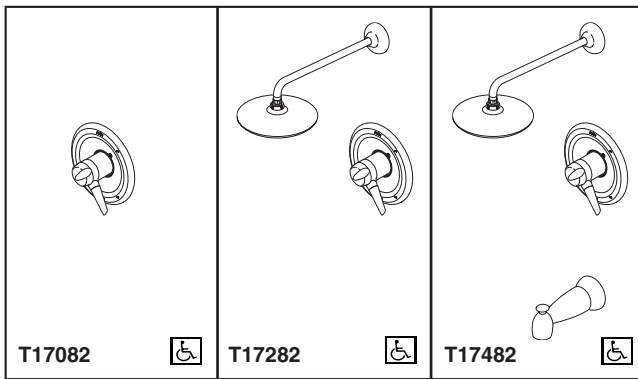


55 E. 111th Street, Indianapolis, Indiana 46280
 350 South Edgeware Road, St. Thomas, ON N5P 4L1
 © 2012 Masco Corporation of Indiana



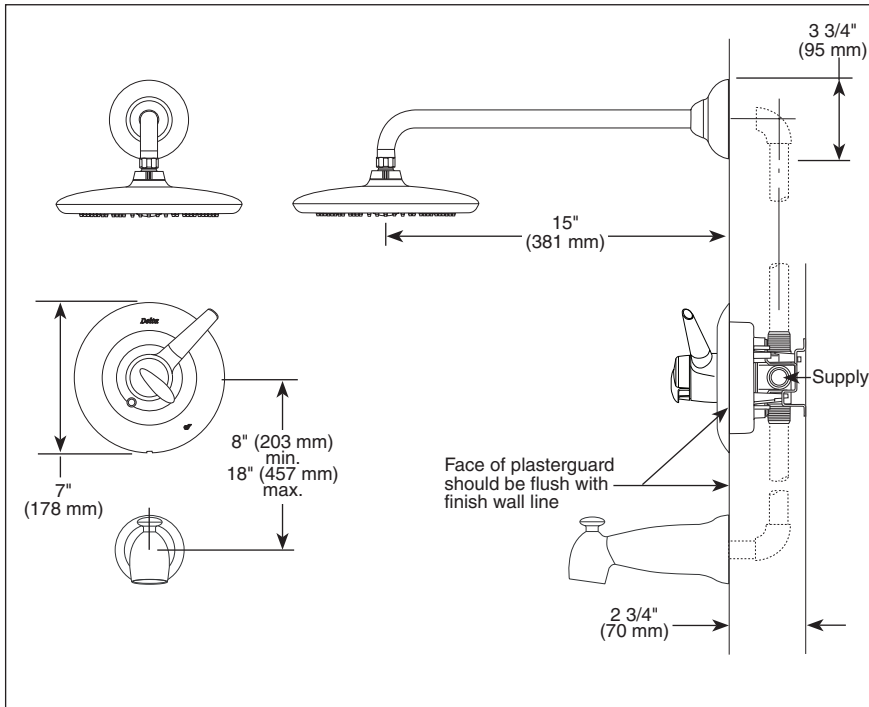
TUB AND SHOWER FAUCET TRIM

- Rhythm® Bath Collection
- Valve Only (T17082 Series)
- Shower Only (T17282 Series)
- Tub/Shower (T17482 Series)

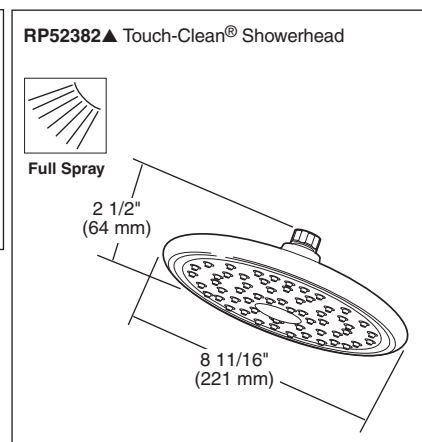
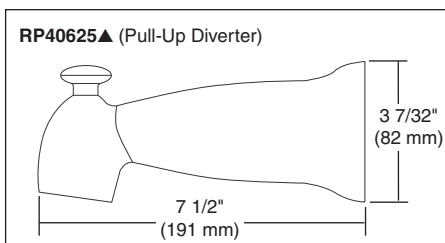


Submitted Model No.: _____

Specific Features: _____



▲ = Designate Proper Finish Suffix



STANDARD SPECIFICATIONS:

- Monitor® 17 Series pressure balanced bath mixing valve with Scald-Guard®.
- Maintains a balanced pressure of hot and cold water even when a valve is turned on or off elsewhere in the system.
- For use with MultiChoice™ Universal rough valve body. (R10000 Series)
- Back-to-back installation capability.
- Solid brass forged body.
- Lever volume control handle; temperature adjustment dial.
- Field adjustable to limit handle rotation into hot water zone.
- Maximum dial rotation adjustable between 90° and 180°.
- All parts replaceable from the front of the valve.

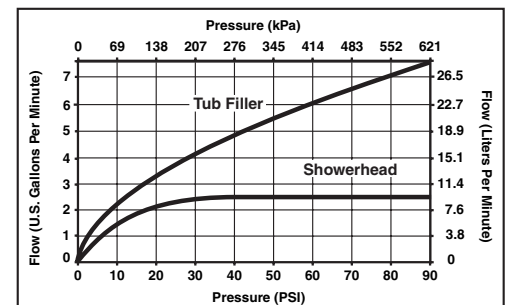
WARRANTY

- Lifetime Faucet and Finish Limited Warranty to the original consumer purchaser to be free from defects in material and workmanship.
- 5 Year Limited Warranty for usage in all industrial, commercial and business applications.



COMPLIES WITH:

- ASME A112.18.1 / CSA B125.1
- ASSE 1016
- Indicates compliance to ICC/ANSI A117.1



Delta reserves the right (1) to make changes in specifications and materials, and (2) to change or discontinue models, both without notice or obligation. Dimensions are for reference only. See current full-line price book or www.specselect.com for finish options and product availability.

55 E. 111th Street, Indianapolis, Indiana 46280
 395 Matheson Blvd. E., Mississauga, ON L4Z 2H2
 © 2009 Masco Corporation of Indiana