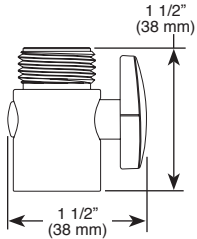
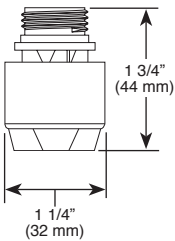
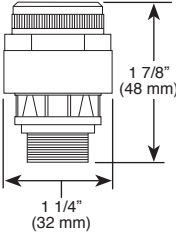
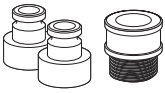
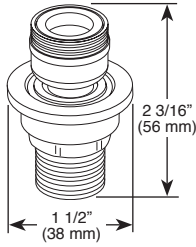


Submitted Model No.: \_\_\_\_\_

Specific Features: \_\_\_\_\_



# ADAPTERS, VACUUM BREAKERS, AND VOLUME CONTROL

<p><b>U4760-▲-PK</b></p> 	<p><b>U4900-▲-PK</b> *</p> 	<p><b>U4910-WH</b> *</p> 
<p><b>U7500</b></p> 	<p><b>U7700</b></p> 	

▲ Designate proper finish suffix

**STANDARD SPECIFICATIONS:**

- Brass construction: U7500, U7700, U4760.
- Brass shield: U4900
- Quick connect: U7500, U7700.
- Atmospheric design: U4900, U4910.
- Trickle feature: U4760.
- 15/16"-27 male and 55/64"-27 female threads: U7700.

**WARRANTY**

- Lifetime limited warranty on parts (other than electronic parts and batteries) and finishes: or, for commercial users, for 5 years from date of purchase.
- 5 year limited warranty on electronic parts (other than batteries); or, for commercial users, for 1 year from the date of purchase. No warranty is provided on batteries.



**COMPLIES WITH:**

- ASME A112.18.1/CSA B125.1



55 E. 111th Street, Indianapolis, Indiana 46280  
 350 South Edgeware Road, St. Thomas, ON N5P 4L1  
 © 2012 Masco Corporation of Indiana

Delta reserves the right (1) to make changes in specifications and materials, and (2) to change or discontinue models, both without notice or obligation. Dimensions are for reference only. See current full-line price book or [www.specselect.com](http://www.specselect.com) for finish options and product availability.