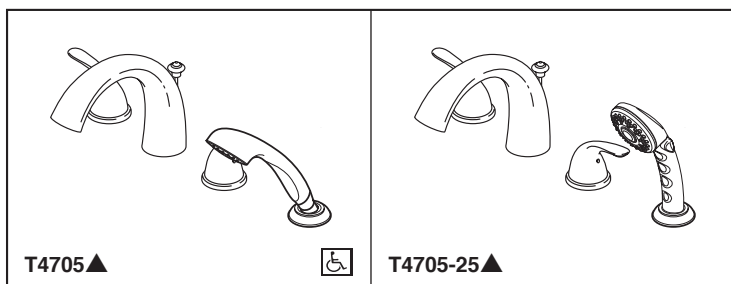




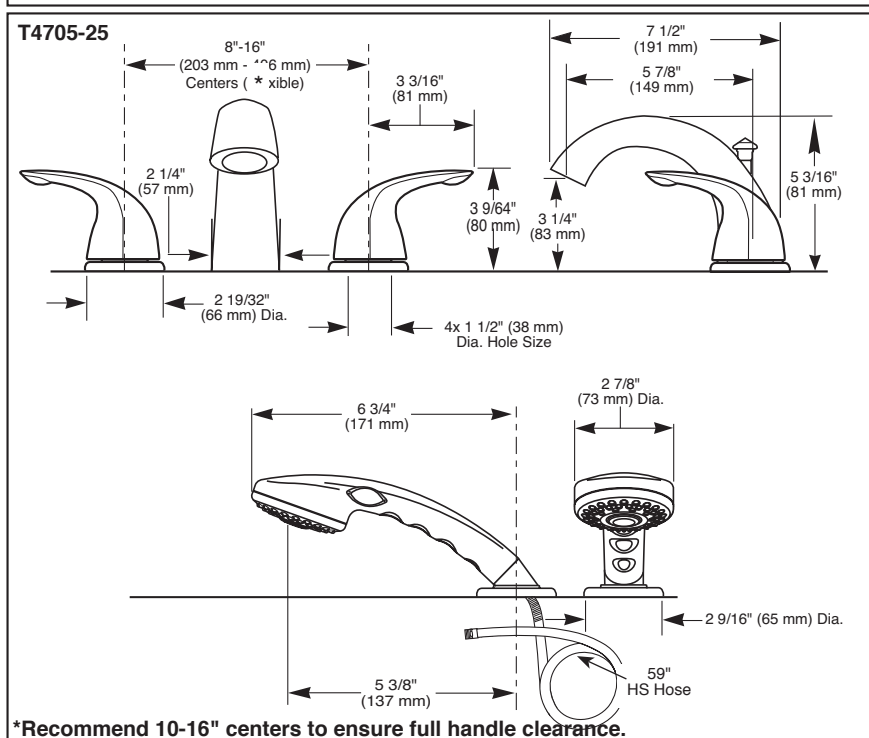
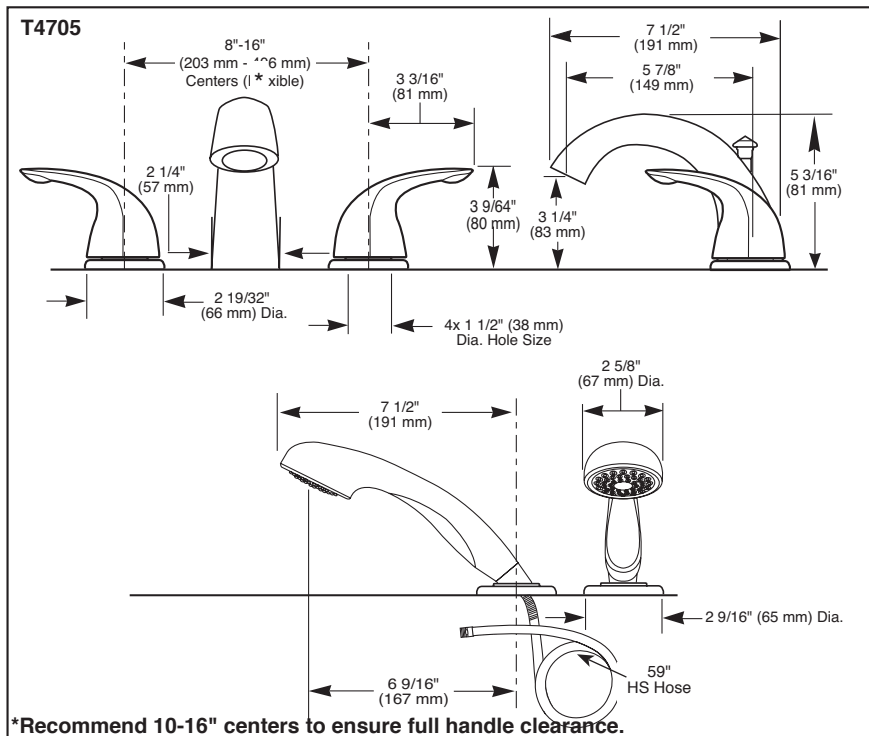
see what Delta can do™

ROMAN TUB/WHIRLPOOL FAUCET TRIM

- Classic Collection
- Four Hole Installation (T4705 Series)



Submitted Model No.: _____
Specific Features: _____



STANDARD SPECIFICATIONS:

- T4705 models flow 1.75 gpm @ 80 psi, 6.6 L/min @ 550 kPa through handshower
- T4705-25 models flow 2.5 gpm @ 80 psi, 9.5 L/min @ 550 kPa through handshower
- Trim only for two handle Roman Tub faucet for concealed mounting
- Temperature and volume controlled with handles
- Rough-In kit must also be ordered to complete installation
 - R4707 for four hole
 - R2700 or R2707 for three hole
 - RP23601 for three hole 10" fixed installation
 There are separate specification sheets on each rough-in kit if more details are required
- Handshower includes double check valves for backflow prevention

WARRANTY

- Lifetime limited warranty on parts (other than electronic parts and batteries) and finishes: or, for commercial users, for 5 years from date of purchase.
- 5 year limited warranty on electronic parts (other than batteries); or, for commercial users, for 1 year from the date of purchase. No warranty is provided on batteries.



COMPLETE VALVE COMPLIES WITH:

- ASME A112.18.1 / CSA B125.1
- Indicates compliance to ICC/ANSI A117.1 - Valve control only
- EPA WaterSense® - Applies to handshower only - RP46683* (T4705)

▲ Designate proper finish suffix

Delta reserves the right (1) to make changes in specifications and materials, and (2) to change or discontinue models, both without notice or obligation. Dimensions are for reference only. See current full-line price book or www.deltafaucet.com for finish options and product availability.

DSP-B-T4705 Rev. E

Delta Faucet Company

55 E. 111th Street, Indianapolis, IN 46280
350 South Edgeware Road, St. Thomas, ON N5P 4L1
© 2017 Delta Faucet Company