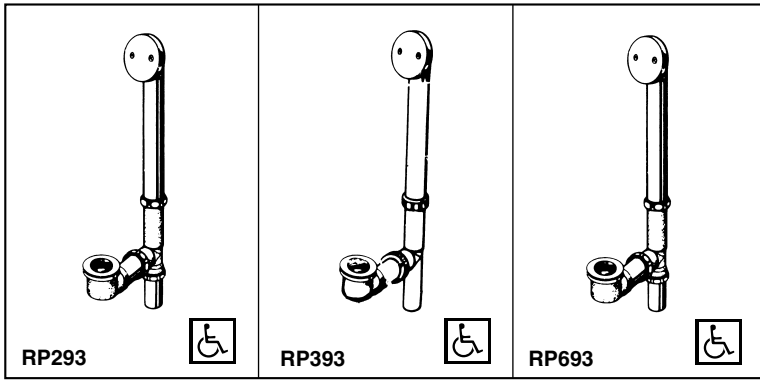




BATH WASTE DRAINS

- Toe-Operated Drain
- 17 Gauge Brass (RP693 Series)
- 20 Gauge Brass (RP293)
- Polypropylene (RP393)
- 13 1/2" (343 mm) Maximum Vertical Adjustment
- 7 3/4" (197 mm) Maximum Horizontal Adjustment



Submitted Model No.: _____

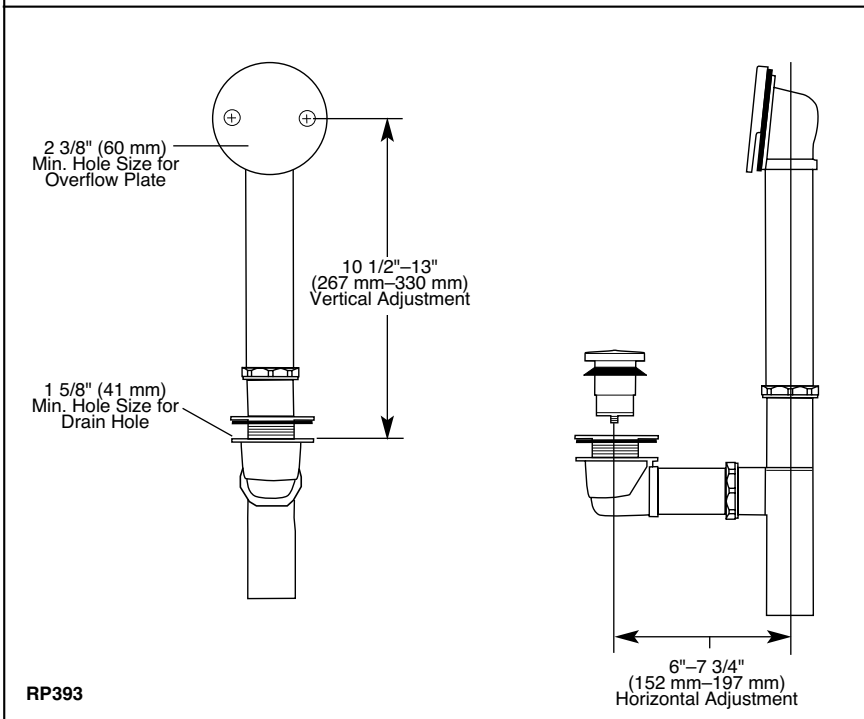
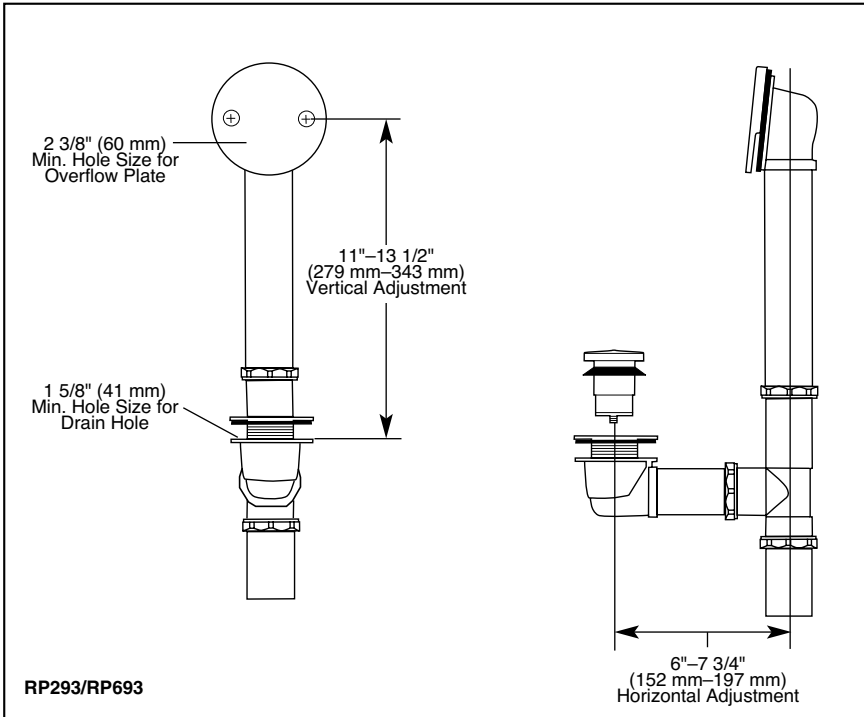
Specific Features: _____

COMPLIES WITH:

- Indicates ADA compliance to CABO/ANSI A117.1-1992
- ASTM F409 (RP393)

STANDARD SPECIFICATIONS:

- Plated brass overflow plate.
- Drain mechanism shall be a toe operated device.
- All materials in drain line and built-in portion of fitting shall be resistant to corrosion.
- Brass construction (RP293 and RP693 series) or polypropylene construction (RP393).
- Slip joints provided in the drain and overflow lines.
- Leakage past stopper when closed shall not exceed one (1) U.S. gallon per hour at a pressure of six-inch water column.
- All moveable parts must be capable of being repaired by being removable from the drain body.
- All exposed external surfaces must be corrosion resistant.



Standard Features	RP293	RP393	RP693AB	RP693PB	RP693WH
Brass Overflow Plate	◆	◆	◆	◆	◆
Toe Operated Drain	♿	♿	♿	♿	♿
20 Gauge Brass Construction	◆				
17 Gauge Brass Construction			◆	◆	◆
Polypropylene Construction		◆			
Slip Joints Provided in Drain and Overflow Lines	◆	◆	◆	◆	◆
10 1/2" (267 mm) to 13" (330 mm) Vertical Adjustment		◆			
11" (279 mm) to 13 1/2" (343 mm) Vertical Adjustment	◆		◆	◆	◆
6" (152 mm) to 7 3/4" (197 mm) Horizontal Adjustment	◆	◆	◆	◆	◆
Chrome Finish	◆	◆			
Antique Brass Finish			◆		
<i>Brilliance</i> ™ Polished Brass Finish				◆	
White Finish					◆



Indianapolis, Indiana 46280
A Division of Masco Corporation of Indiana
© 2001 Masco Corporation of Indiana