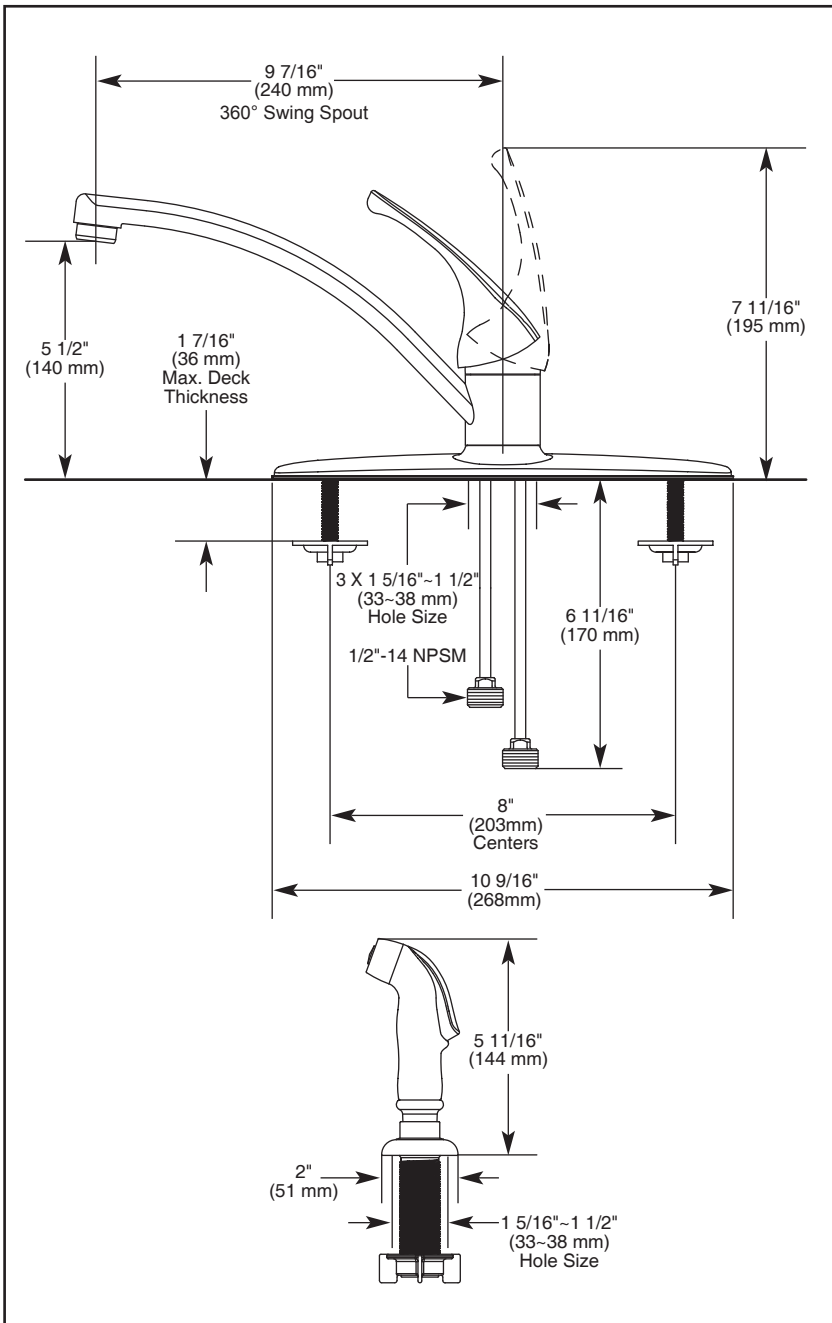


Submitted Model No.: _____
 Specific Features: _____



▲ Designate proper finish suffix

Delta reserves the right (1) to make changes in specifications and materials, and (2) to change or discontinue models, both without notice or obligation. Dimensions are for reference only. See full-line price book or www.specselect.com for finish options and product availability.

DSP-K-10900LF Rev. A



KITCHEN FAUCETS

- Single Handle Deck Mount
- 3 and 4 Hole Sink Applications

STANDARD SPECIFICATIONS

- Single handle kitchen faucet for exposed mounting on 3 and 4 hole sinks with 8" centers.
- 9 7/16" (240 mm) long spout swings 360°.
- Replaceable rotating ball valve with replaceable non-metallic seats.
- Vegetable sprayer hose installation on model 10901LF series.
- 1/2" -14 NPSM threaded male inlet adapters.
- Maximum flow rate 1.8 gpm @ 60 PSI.

WARRANTY

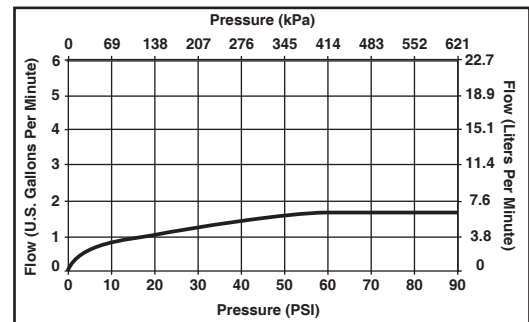
- Lifetime Faucet and Finish Limited Warranty to the Original consumer purchaser to be free from defects in material and workmanship.
- 5 Year Limited Warranty for usage in all Industrial, Commercial and Business applications.



COMPLIES WITH

- ASME A1 12.18.1 / CSA B125.1
- Indicates compliance to ICC / ANSI A117.1
- CSA Certified

Verified compliant with 0.25% weighted average Pb content regulations.



55 E. 111th Street, Indianapolis, Indiana 46280
 350 South Edgeware Road, St. Thomas, ON N5P 4L1
 © 2011 Masco Corporation of Indiana