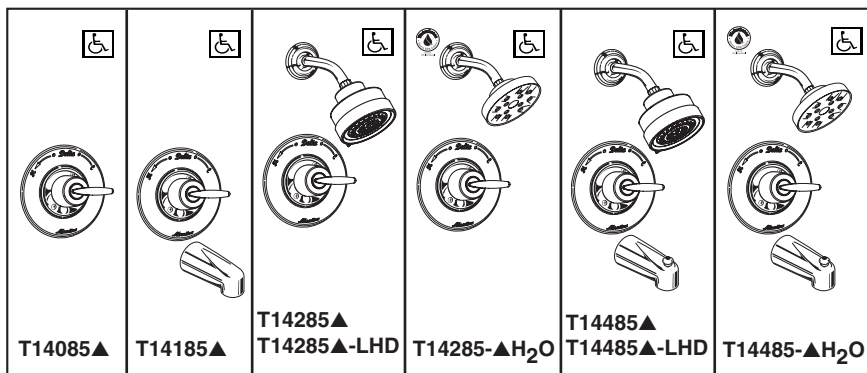




TUB AND SHOWER FAUCET TRIM

- Grail® Series
- Valve Only (T14085)
- Tub Only Trim (T14185)
- Shower Only (T14285)
- Tub/Shower (T14485)
- Single Handle



Submitted Model No.: _____

Specific Features: _____

STANDARD SPECIFICATIONS:

- Pressure balanced single handle bath mixing valve trim.
- Temperature only controlled with handle.
- Field adjustable to limit handle rotation into hot water zone.
- 120° maximum handle rotation.
- All parts replaceable from the front of the valve.
- For use with MultiChoice® Universal rough valve body. (R10000 Series)
- Lever handle.
- Single function H₂O Kinetic Technology® showerhead; 2.0 gpm @ 80 PSI.
- LHD models do not have showerheads and have pad print escutcheon.

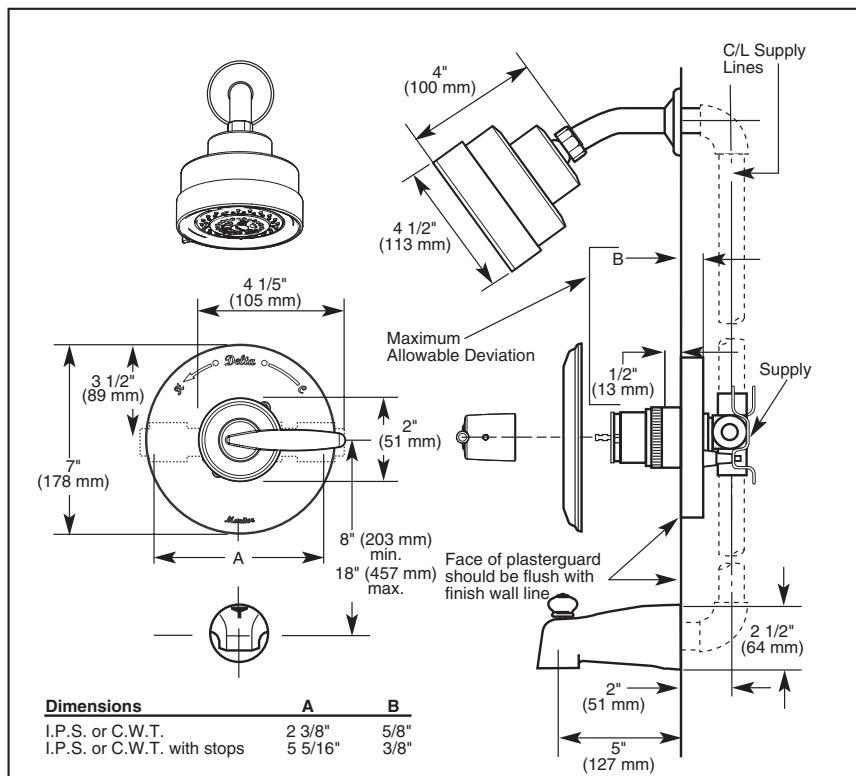
WARRANTY

- Lifetime Faucet and Finish Limited Warranty to the original consumer purchaser to be free from defects in material and workmanship.
- 5 Year Limited Warranty for usage in all industrial, commercial and business applications.

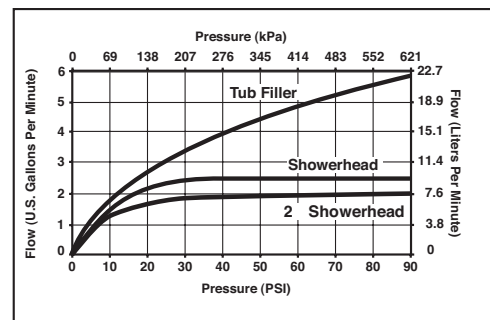
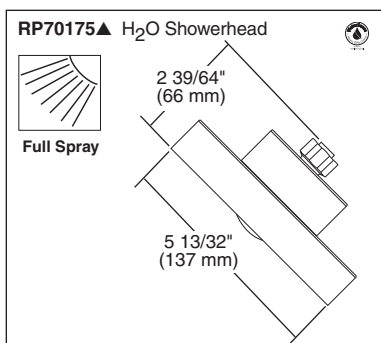


COMPLIES WITH:

- ASME A112.18.1 / CSA B125.1
- ASSE 1016
- Indicates compliance to ICC/ANSI A117.1
- Indicates compliance to WaterSense



▲ Designate Proper Finish Suffix



55 E 111th Street, Indianapolis, Indiana 46280
350 South Edgeware Road, St. Thomas, ON N5P 4L1
© 2011 Masco Corporation of Indiana

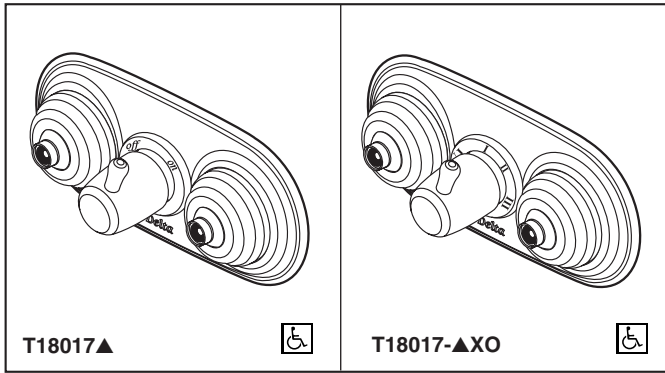
Delta reserves the right (1) to make changes in specifications and materials, and (2) to change or discontinue models, both without notice or obligation. Dimensions are for reference only. See current full-line price book or www.specselect.com for finish options and product availability.

DSP-B-T14085 Rev. E



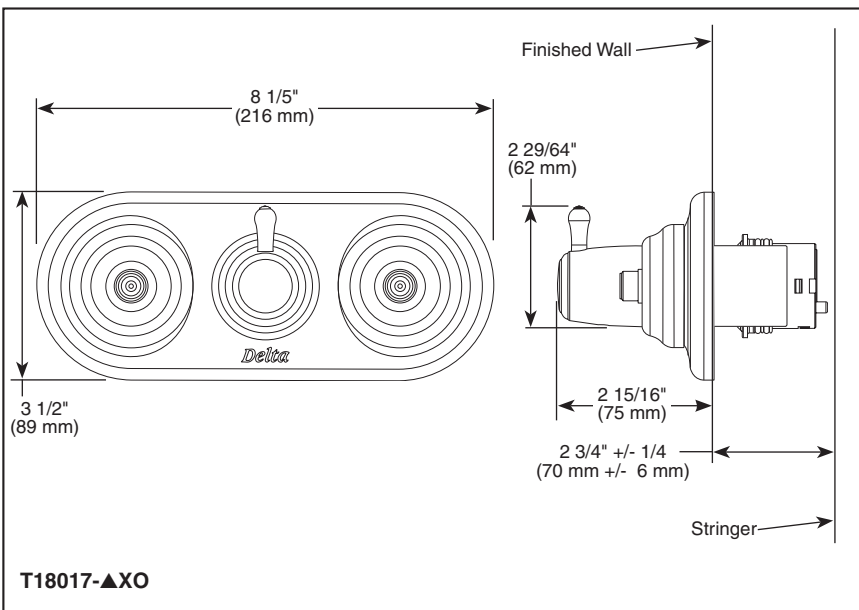
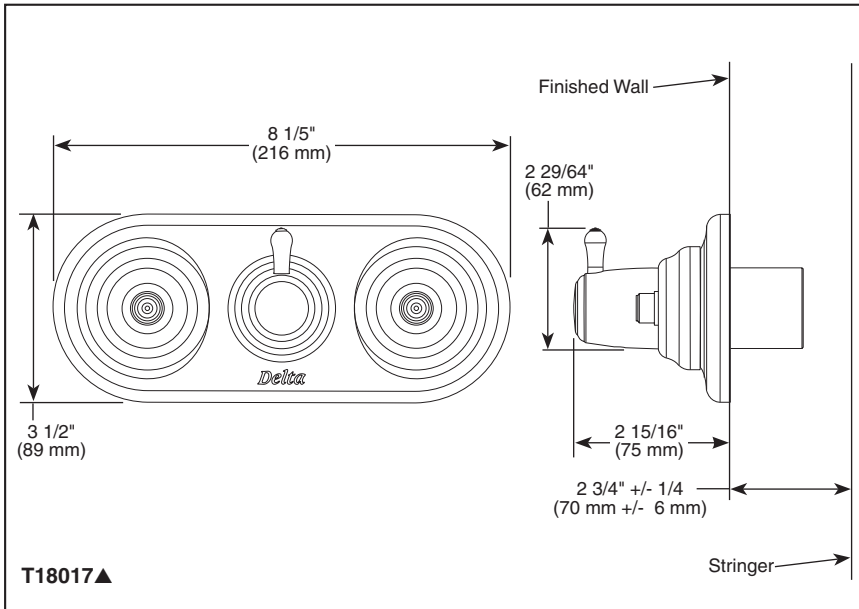
CUSTOM SHOWER DIVERTER

- Innovations® Collection
- Jetted Shower Diverter Trim (T18017)
- Six Function Diverter Trim (T118017-XO)
- Coordinates With All Delta Innovations® Styled Bath Suites



Submitted Model No.: _____

Specific Features: _____



▲ Designate proper finish suffix

Delta reserves the right (1) to make changes in specifications and materials, and (2) to change or discontinue models, both without notice or obligation. Dimensions are for reference only. See current full-line price book or www.specselect.com for finish options and product availability.

DSP-B-T18017 Rev. A

STANDARD SPECIFICATIONS

- Jetted shower - 2 individual positions, 1 shared position - On, or shower only Off.
- Six function diverter. 3 individual positions, 3 shared positions.
- 1/2" rough-in.
- Must also order R1827 or R1827-XO rough-in.

WARRANTY

- Lifetime Faucet and Finish Limited Warranty to the original consumer purchaser to be free from defects in material and workmanship.
- 5 Year Limited Warranty for usage in all industrial, commercial and business applications.



COMPLIES WITH:

- ASME A112.18.1 / CSA B125.1



Indicates compliance to ICC/ANSI A117.1

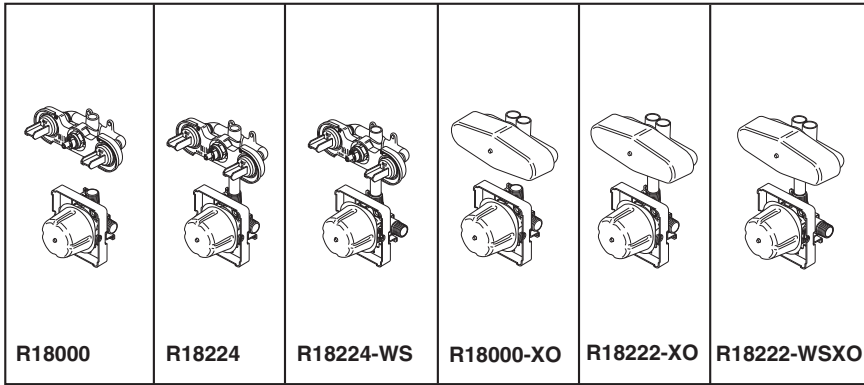


55 E. 111th Street, Indianapolis, Indiana 46280
395 Matheson Blvd. E., Mississauga, ON L4Z 2H2
© 2010 Masco Corporation of Indiana



JETTED SHOWER™ ROUGH VALVE BODY

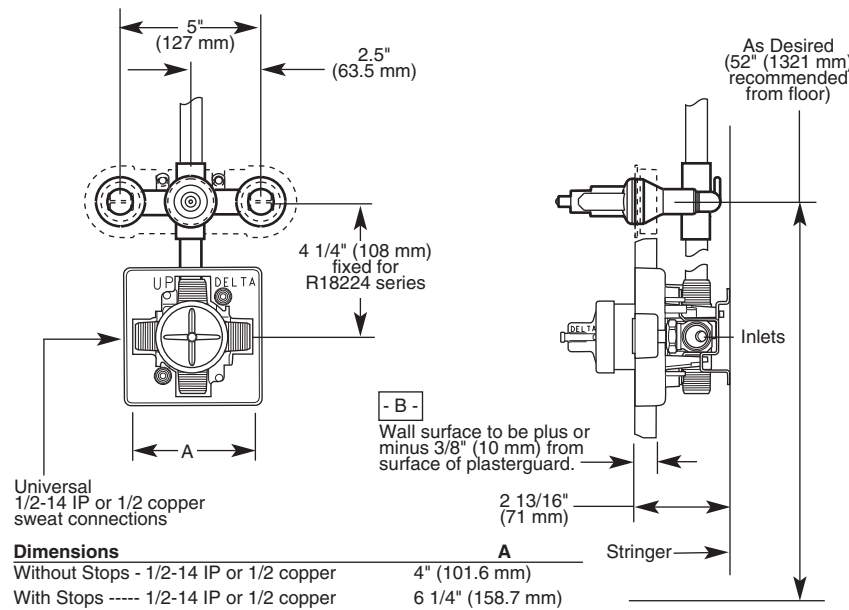
- Shower Only (R18000 & R18224)
- Shower and Extra Outlet (R18000-XO & R18222-XO)



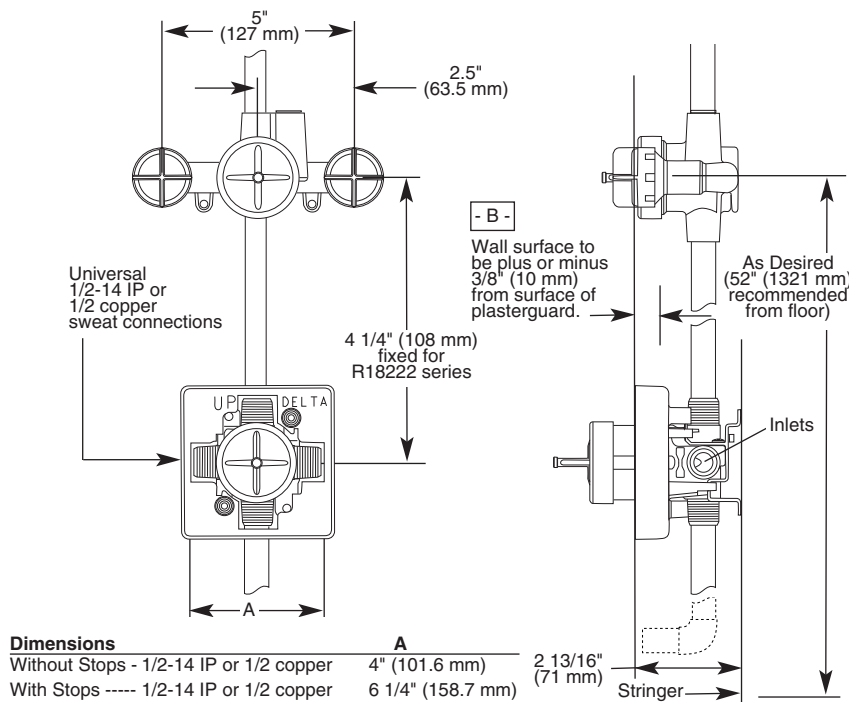
Submitted Model No.: _____

Specific Features: _____

R18000, R18224, R18224-WS



R18000-XO, R18222-XO, R18222-WSXO



STANDARD SPECIFICATIONS:

- Brass body.
- Back-to-back installation capability.
- Can be tested with air (200 psi) or water (300 psi) without cartridge using supplied test cap.
- Adjusts for up to 3/4" wall thickness.
- Extra outlet models (XO) include 3 port, six position diverter.
- R18222 and R18224 include prefabricated valve and jet module.
- R18000 and R18000-XO include separately plumbed valve and jet module.
- For use with Multi Choice Universal 18 Series and 18T Series Jetted Shower™ trim. Monitor® 17 Series dual function pressure balanced cartridge ships with 18 Series trim. 17T Series dual function thermostatic cartridge ships with 18T Series trim.

WARRANTY

- Lifetime Faucet and Finish Limited Warranty to the original consumer purchaser to be free from defects in material and workmanship.
- 5 Year Limited Warranty for usage in all industrial, commercial and business applications.



COMPLETE VALVE COMPLIES WITH:

- ASME A112.18.1 / CSA B125.1



Indianapolis, Indiana 46280
A Division of Masco Corporation of Indiana
© 2009 Masco Corporation of Indiana

Delta reserves the right (1) to make changes in specifications and materials, and (2) to change or discontinue models, both without notice or obligation. Dimensions are for reference only. See current full-line price book or www.specselect.com for finish options and product availability.
DSP-B-R18000 Rev. A