

**Specification: (example)**

Brass body diverter valve,  
ADA compliant lever handle,  
polished chrome plated metal trim.

❑ **060852A** 



❑ **061058A**   
(See Product Variations  
No.'s 3 & 9)



❑ **060274A**

76 mm (3") Diameter wall thermometer,  
18 to 82 degrees C (0 to 180 degrees F),  
stainless steel construction with  
shatterproof Lexan lens, complete with cast  
brass tee, polished chrome plated brass  
nipple and set screw wall flange.



❑ **54T1200** 

With 70mm (2-3/4") ADA compliant lever  
blade handle and integral stop.  
In-wall, volume control stop, TUF-TECK  
institutional structure, polished chrome  
plated finish exposed metal trim, color  
indexed metal handle with vandal  
resistant screw, 1/2" FIP inlet/outlet.



❑ **060732A**

Brass body volume control, polished  
chrome plated finish, flow adjustment  
lever handle, 1/2" NPS inlet/outlet.



❑ **060605A**

Forged brass Toe Tester Spout,  
polished chrome plated finish,  
1/2" FIP inlet.



❑ **060710A**

Brass bent showerarm, metal set  
screw wall flange,  
polished chrome plated finish.  
(Supplied with Shower  
No. 1, 2, 3 & 8)



**Specification: (example)**

Cast brass institutional wallmounted  
shower head, polished chrome plated  
finish, 30° spray angle from wall,  
concealed cast brass mounting plate,  
vandal resistant front mounting screws,  
universal 1/2" FIP/copper sweat inlet.

- ❑ **060793A** – 2.0 USGPM (7.6 L/min.)
- ❑ **060991A** – 1.75 USGPM (6.6 L/min.)
- ❑ **061011A** – 1.5 USGPM (5.7 L/min.)  
(See Shower No. 6 – T13H Series)

❑ **060890A**

Brass body showerhead fixed  
2.2 USGPM (8.4 L/min.) flow control  
spray, polished chrome plate finished.  
(See Shower No. 1 on  
T13H Series)

❑ **RP43381**

3-Function Touch-Clean<sup>®</sup>, chrome plated  
finish, brass ball showerhead,  
2.5 USGPM (9.5 L/min.).  
(See Shower No. 2)

❑ **RP38357**

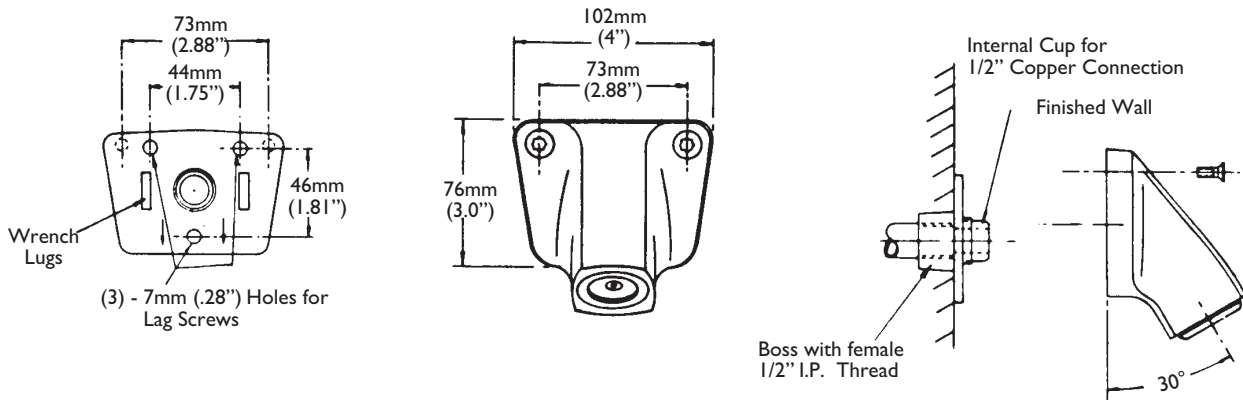
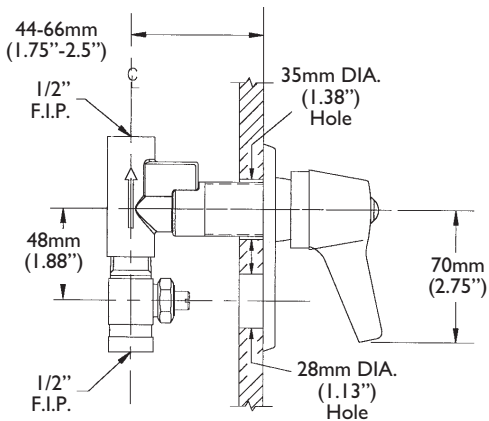
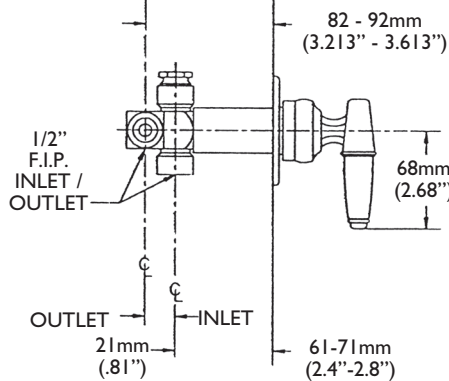
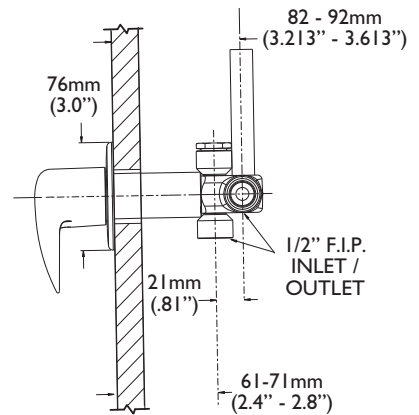
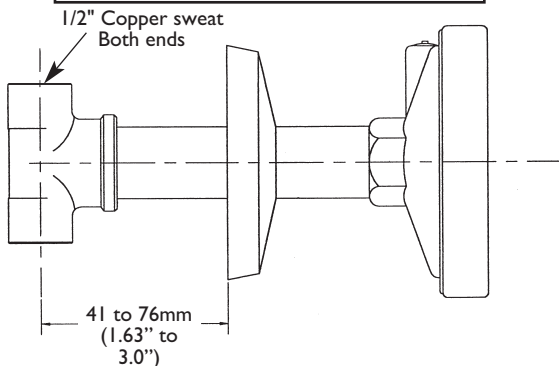
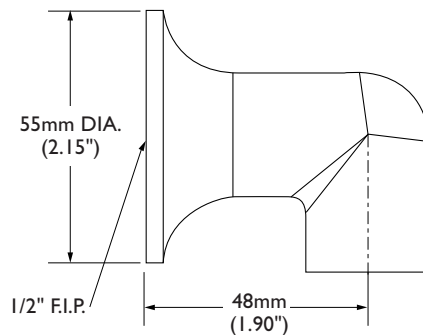
Touch-Clean<sup>®</sup>, polished chrome plated  
finish, brass ball showerhead,  
2.5 USGPM (9.5 L/min.).  
(See Shower No. 3 on  
T17TH Series)

❑ **061048A**

Rubclean, chrome plated brass ball  
showerhead 1.5 USGPM (5.7 L/min.).  
(See Shower No. 3 on  
T13H Series)

❑ **RP46384**

H<sub>2</sub>Okinetic Technology<sup>®</sup> Showerhead,  
1.5 USGPM (5.7 L/min.).  
(See Shower No. 8 on  
T13H Series)

**060793A, 060991A & 061011A SHOWERHEAD**
**ANCHOR PLATE**

**54T1200 CONTROL VALVE**

**060852A DIVERTER VALVE**

**061058A DIVERTER VALVE**

**060274A WALL THERMOMETER**

**060605A TOE TESTER SPOUT**

 Note: Measurements may vary  $\pm 6$ mm (0.25")

Note: Use this page front and back as a product submittal sheet.