
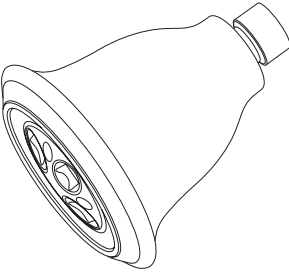
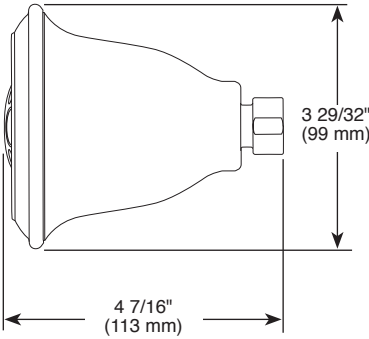

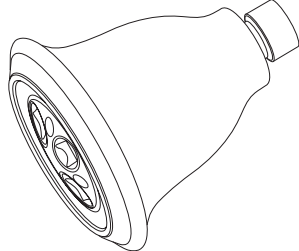
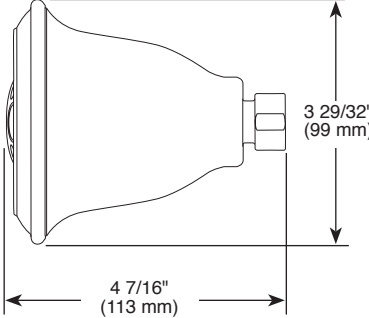
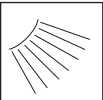
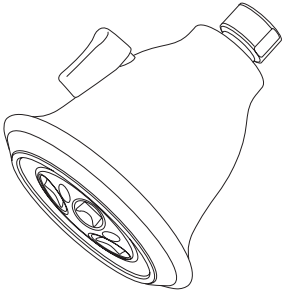
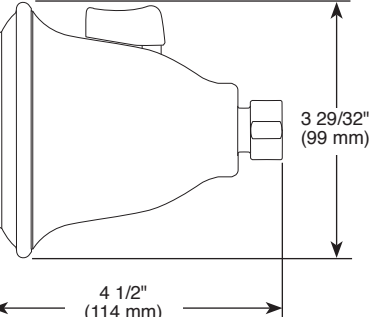


SHOWERHEAD

- 2.0 GPM Max @ 80 PSI
- 1.5 GPM Max @ 80 PSI
- H₂Okinetic Technology®

Submitted Model No.: _____

Specific Features: _____

<p>52658-PK 1.5 GPM Showerhead</p>  <p>Full Body Spray</p> 	 <p>3 29/32" (99 mm)</p> <p>4 7/16" (113 mm)</p>
<p>52659-PK 2.0 GPM Showerhead</p>  <p>Full Body Spray</p> 	 <p>3 29/32" (99 mm)</p> <p>4 7/16" (113 mm)</p>
<p>52660-PK Adjustable Between 1.5 & 2.0 GPM Showerhead</p>  <p>Full Body Spray</p> 	 <p>3 29/32" (99 mm)</p> <p>4 1/2" (114 mm)</p>

STANDARD SPECIFICATIONS

- Full spray function.
- Maximum 1.50 gpm at 80 psi, 5.7 L/min @ 550 kPa
- Maximum 2.00 gpm at 80 psi, 7.6 L/min @ 550 kPa
- H₂Okinetic Technology®

WARRANTY

- Lifetime limited warranty on parts (other than electronic parts and batteries) and finishes; or, for commercial users, for 5 years from date of purchase.
- 5 year limited warranty on electronic parts (other than batteries); or, for commercial users, for 1 year from the date of purchase. No warranty is provided on batteries.



COMPLIES WITH:

- ASME A112.18.1 / CSA B125.1
- EPA WaterSense®



▲ Designate proper finish suffix

Delta reserves the right (1) to make changes in specifications and materials, and (2) to change or discontinue models, both without notice or obligation. Dimensions are for reference only. See current full-line price book or www.deltafaucet.com for finish options and product availability.

DSP-B-52658-PK Rev. B

55 E. 111th Street, Indianapolis, Indiana 46280
350 South Edgeware Road, St. Thomas, ON N5P 4L1
© 2015 Masco Corporation of Indiana