



Submitted Model No.: _____
 Specific Features: _____

DELTA COMMERCIAL

LAVATORY FAUCETS

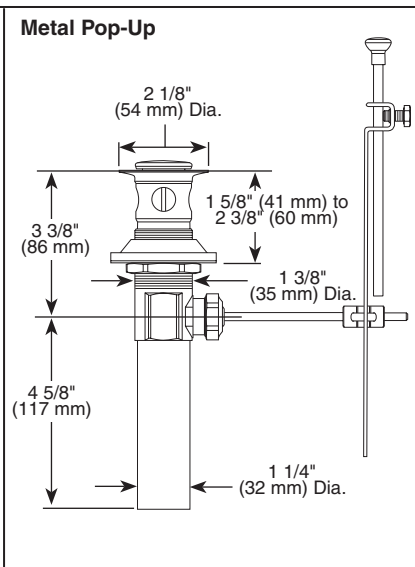
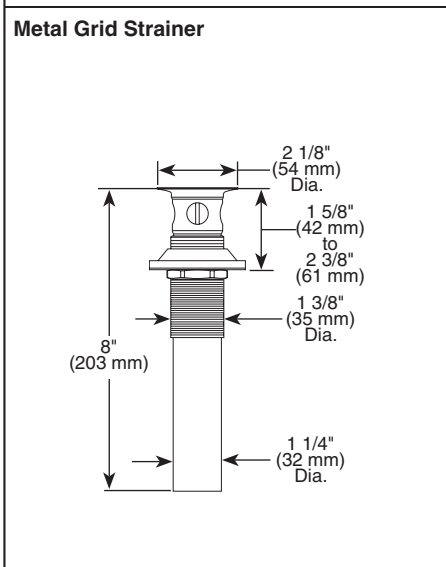
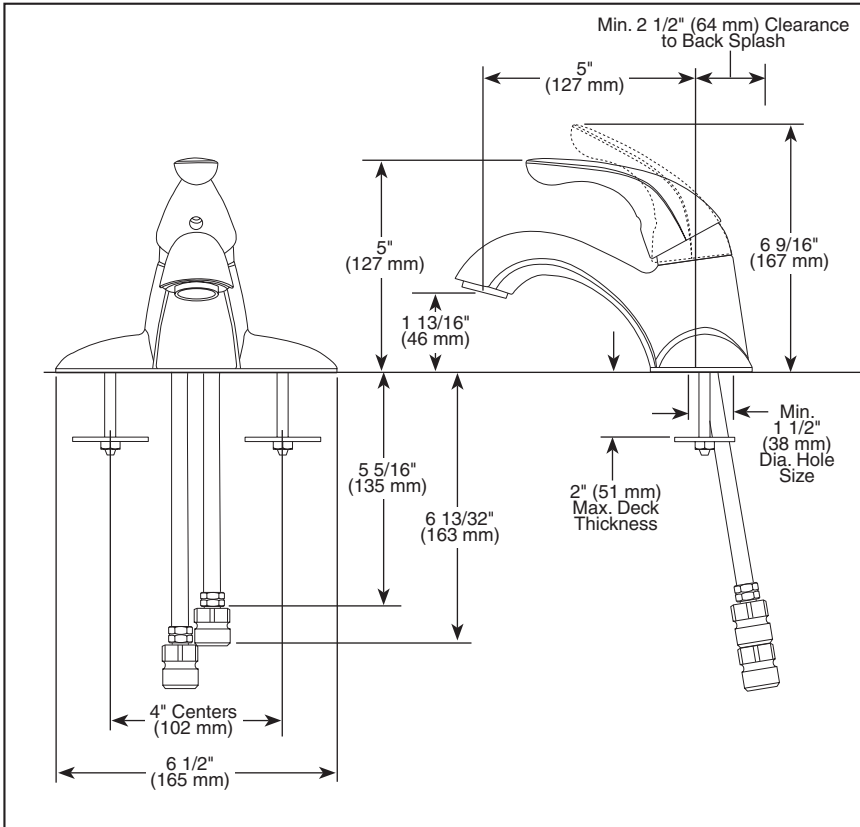
- Single Handle
- 3 Hole Sink Applications
- 4" (102 mm) Centerset

STANDARD SPECIFICATIONS:

- Single handle lavatory deck faucets for exposed mounting on three hole sinks.
- 4" (102 mm) centerset.
- All metal fabricated body.
- 5" (127 mm) spout.
- Vandal resistant aerator or spray outlet.
- Metal grid strainer (523).
- Metal pop-up drain (520).
- Lift rod hole (520).
- Vandal resistant lever handle. Red/blue colored graphics indicate hot/cold temperature.
- Control mechanism is the diamond embedded ceramic disc cartridge.
- Control handle shall return to the neutral position when valve is turned off.
- Adjustable handle limit stop.
- 3/8" O.D. straight, staggered copper supply tubes with 3/8" fittings.
- Available options for field conversion:
 - 6" (152 mm) long elbow handle-red/blue colored graphics indicate hot/cold temperature. Order RP54687.
- Maximum 1.5 gpm flowrate @ 60 PSI.

WARRANTY

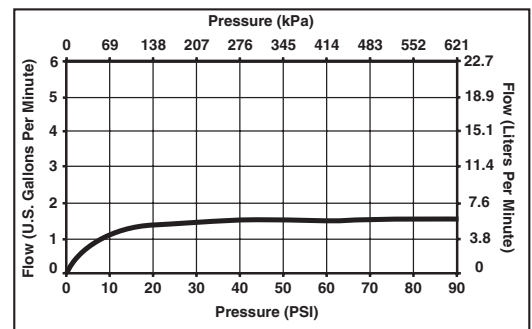
- Lifetime Faucet and Finish Limited Warranty to the original consumer purchaser to be free from defects in material and workmanship.
- 5 Year Limited Warranty for usage in all industrial, commercial and business applications.



▲ Designate proper finish suffix

COMPLIES WITH:

- ASME A112.18.1 / CSA B125.1
- ASME A112.18.2 / CSA B125.2
- Indicates compliance to ICC/ANSI A117.1
- EPA WaterSense®
- Verified compliant with .25% weighted average Pb content regulations.



Delta reserves the right (1) to make changes in specifications and materials, and (2) to change or discontinue models, both without notice or obligation. Dimensions are for reference only. See current full-line price book or www.specselect.com for finish options and product availability.



55 E. 111th Street, Indianapolis, Indiana 46280
 395 Matheson Blvd. E., Mississauga, ON L4Z 2H2
 © 2010 Masco Corporation of Indiana