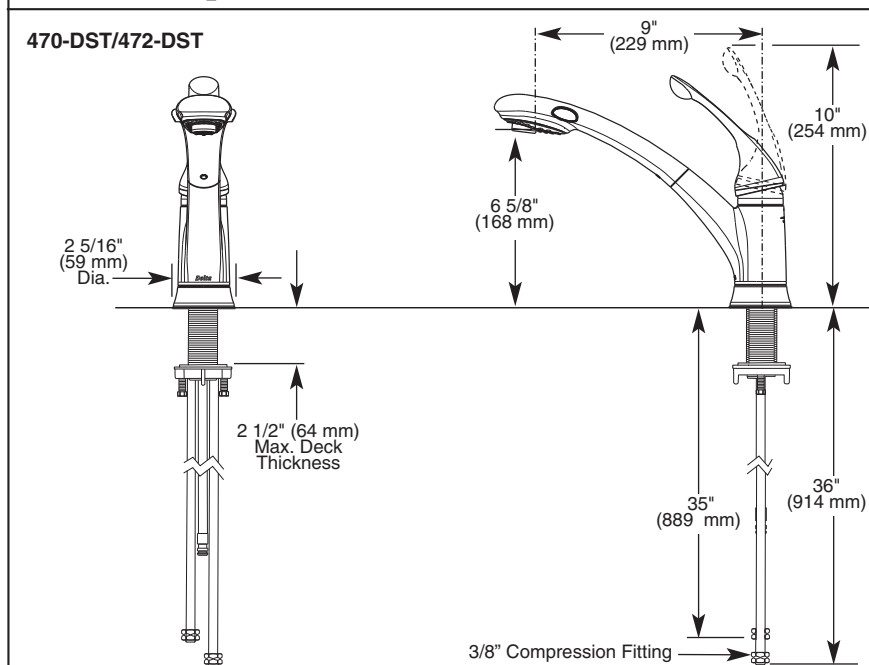
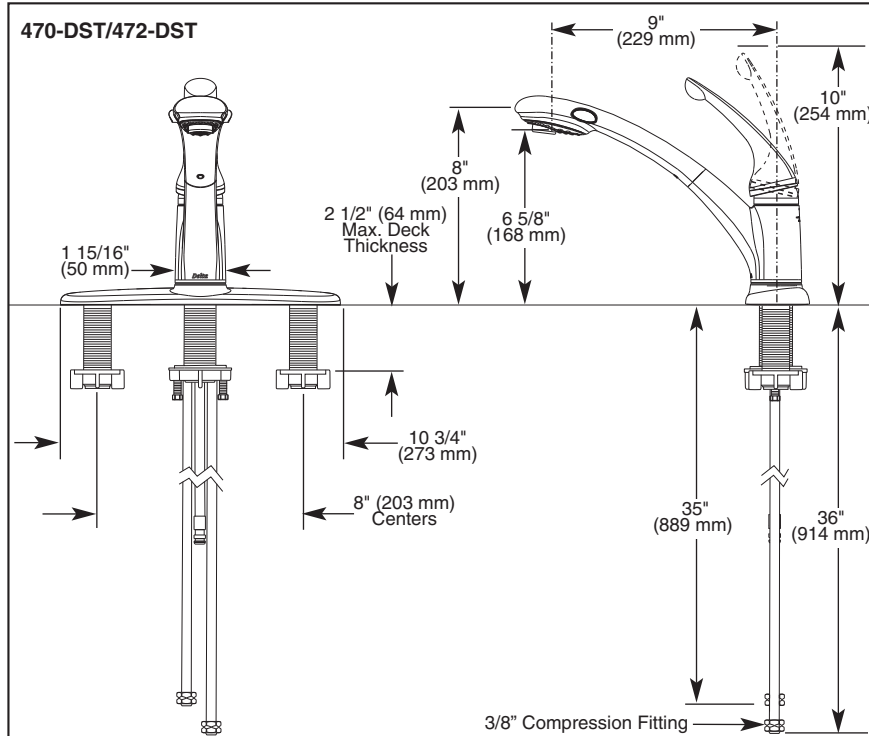


Submitted Model No.: _____

Specific Features: _____



KITCHEN FAUCETS

- Signature® Pull-Out Series
- Single Handle Deck Mount
- Single or 3 Hole Sink Applications

STANDARD SPECIFICATIONS:

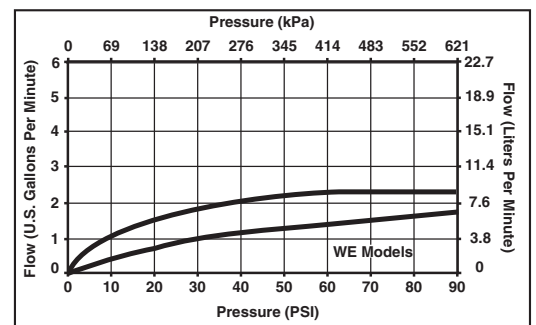
- Single handle kitchen faucets for exposed mounting on single and three hole sinks.
- Centermount or 8" (203 mm) centers with optional included 10 3/4" (273 mm) long escutcheon.
- 8" (203 mm) high, 9" (229 mm) long spout [includes 6 1/4" (159 mm) long pull-out spray] nestled in all metal hub assembly, swings 120°.
- Spout is connected to valve body with a 53" (1346 mm) long hose that extends to 34" (864 mm) usable length.
- Pull-out spout operates in an aerated or spray mode via an easy side-to-side push lever.
- Lever or loop handle shall return to neutral position when faucet is turned off.
- Control mechanism shall be the diamond coated ceramic cartridge.
- Red/blue graphics on handle button to indicate hot/cold temperature.
- Touch-Clean® sprayhead.
- 3/8" O.D. straight, staggered pex supply tubes – 35" (889 mm) and 36" (914 mm) long.
- Standard 3/8" (10 mm) compression gasket fittings.
- Integral double check valves in spout.

WARRANTY

- Lifetime Faucet and Finish Limited Warranty to the original consumer purchaser to be free from defects in material and workmanship.
- 5 Year Limited Warranty for usage in all industrial, commercial and business applications.

COMPLIES WITH:

- ASME A112.18.1 / CSA B125.1
- Indicates compliance to ICC/ANSI A117.1



55 E. 111th Street, Indianapolis, Indiana 46280
 395 Matheson Blvd. E., Mississauga, ON L4Z 2H2
 © 2009 Masco Corporation of Indiana

Delta reserves the right (1) to make changes in specifications and materials, and (2) to change or discontinue models, both without notice or obligation. Dimensions are for reference only. See current full-line price book or www.specselect.com for finish options and product availability.

DSP-K-470-DST Rev. C