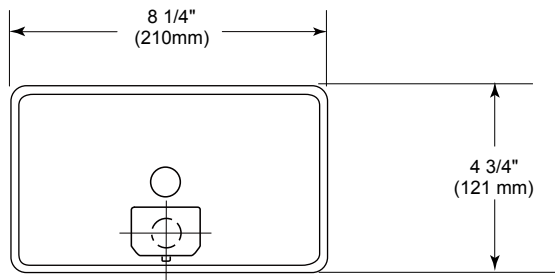


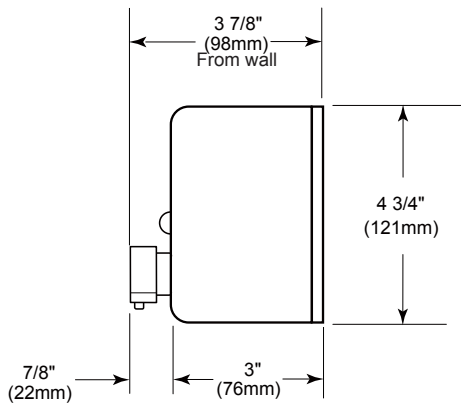
44081▲

Submitted Model No.: \_\_\_\_\_

Specific Features: \_\_\_\_\_



**Mounting Specification**



**▲ Designate proper finish suffix**

Delta reserves the right (1) to make changes in specifications and materials, and (2) to change or discontinue models, both without notice or obligation. Dimensions are for reference only. See full-line price book or [www.specselect.com](http://www.specselect.com) for finish options and product availability.

DSP-B-44081 Rev.A



**ACCESSORIES**

■ Soap Dispensers

**STANDARD SPECIFICATIONS**

- Stainless steel horizontal liquid soap dispenser.
- Shut-off soap valve.
- Valve is chrome plated brass.
- View level indicator is clear plastic 40 oz capacity.
- Wood blocking is preferable behind all wall surfaces. If wood blocking is not available, the following fasteners are suggested: Tile/Masonry-Plastic or lead Anchors Plaster/drywall-Toggle bolts.
- Mounting hardware and mounting template included with product.

**WARRANTY**

- Lifetime Faucet and Finish Limited Warranty to the Original consumer purchaser to be free from defects in material and workmanship.
- 5 Year Limited Warranty for usage in all Industrial, Commercial and business applications.



Liberty Hardware Manufacturing Corporation  
 140 Business Park Drive  
 Winston-Salem, NC 27107  
 800.542.3789

[www.libertyhardware.com](http://www.libertyhardware.com)

©2011 LHMC, A Masco Company