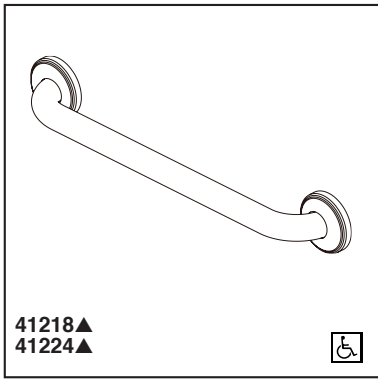


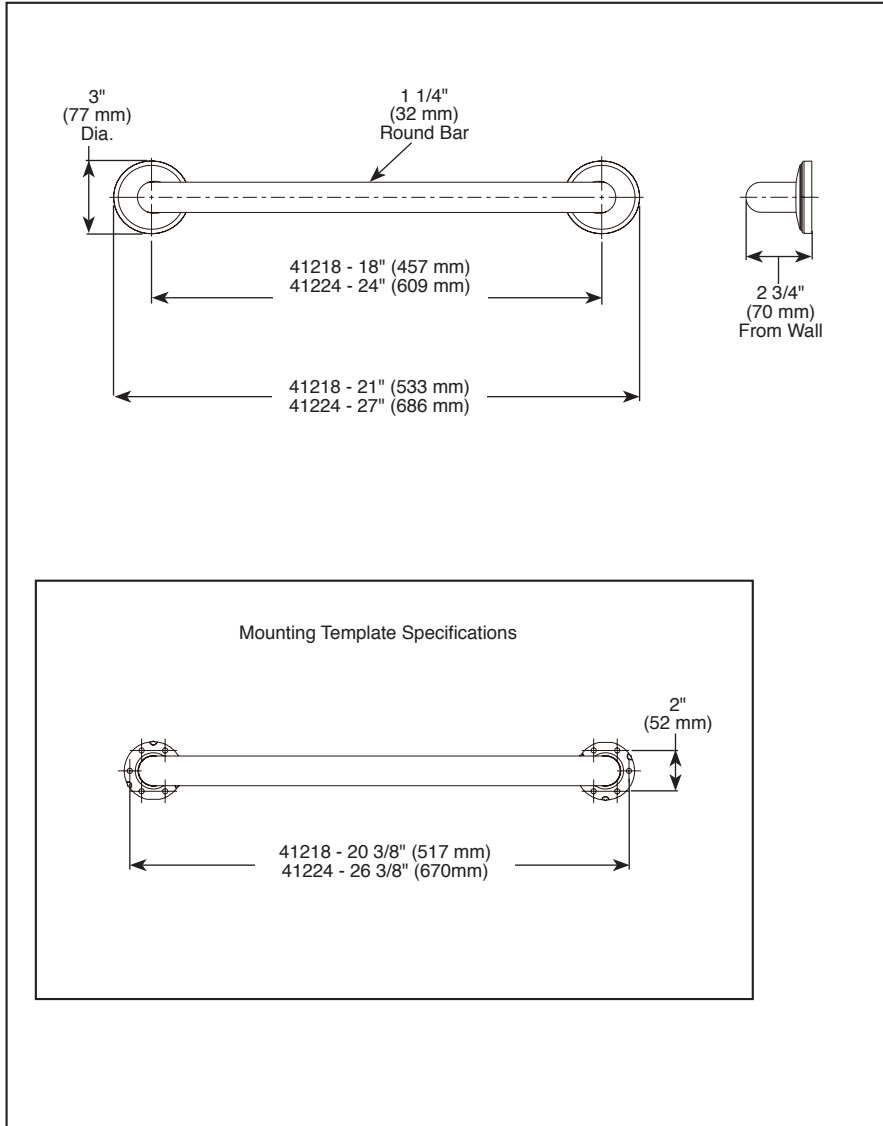
## ACCESSORIES

- Meets ADA Standards
- 18" Grab Bar
- 24" Grab Bar



Submitted Model No.: \_\_\_\_\_

Specific Features: \_\_\_\_\_



▲ Designate Proper Finish Suffix

### STANDARD SPECIFICATIONS:

- Decorative flanges.
- Concealed mounting.
- For forces up to 500 pounds.
- 1 1/2" wall clearance.
- Wood blocking is preferable behind all wall surfaces. If wood blocking is not available, the following fasteners are suggested: Tile/Masonry-plastic or lead anchors plaster/drywall-Toggle bolts.
- Decorative ADA compliant grab bar when installed per accessibility guidelines of the act.
- Mounting hardware included with product.

### WARRANTY

- Lifetime limited warranty on parts (other than electronic parts and batteries) and finishes; or, for commercial users, for 5 years from the date of purchase.
- 5 year limited warranty on electronic parts (other than batteries); or for commercial users, for 1 year from the date of purchase. No warranty is provided on batteries.

### COMPLIES WITH:

-  Indicates compliance to ICC/ANSI A117.1