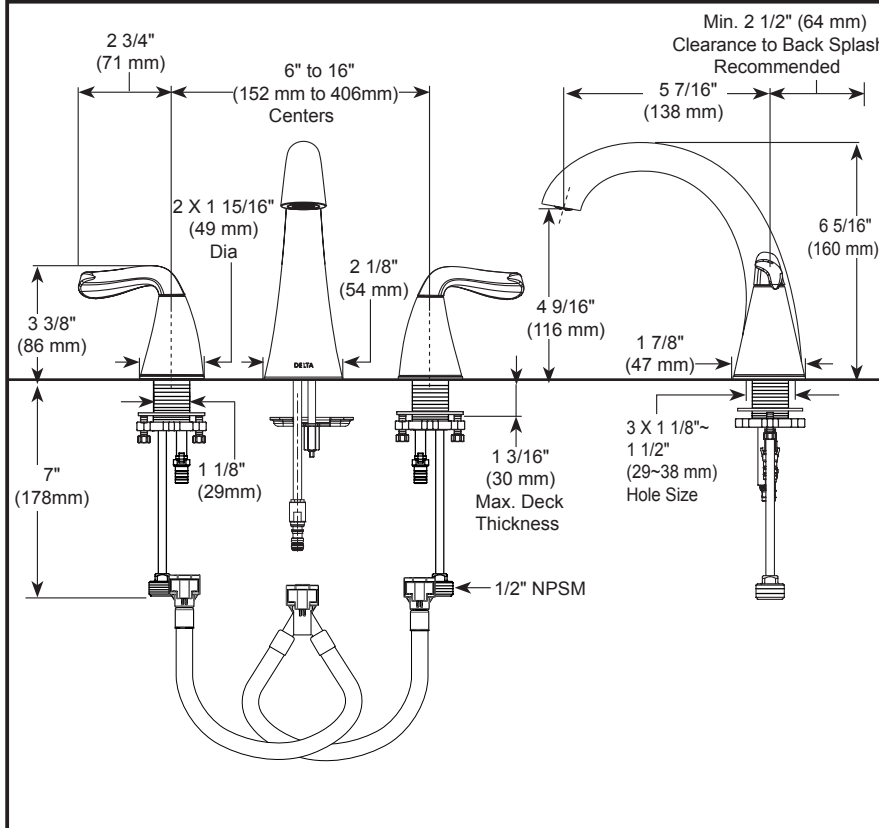




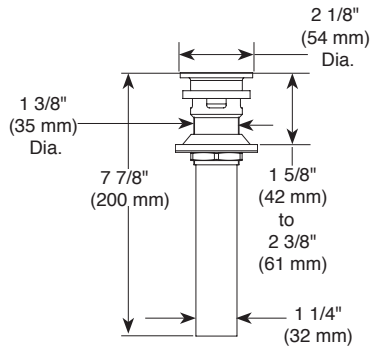
35840LF▲

Submitted Model No.: _____

Specific Features: _____



33W576▲



▲ Designate proper finish suffix

Delta reserves the right (1) to make changes in specifications and materials, and (2) to change or discontinue models, both without notice or obligation. Dimensions are for reference only. See current full-line price book or www.deltafaucet.com for finish options and product availability.

DSP-L-35840LF Rev. A



see what Delta can do™

BATHROOM FAUCET

- Two Handle Widespread, Deck Mount
- 3 Hole Sink Applications

STANDARD SPECIFICATIONS:

- Maximum flow rate 1.2 gpm @ 60 psi, 4.5 L/min @ 414 kPa.
- Three hole mount.
- Solid brass fabricated end valve body.
- Hot and cold stems are interchangeable.
- All operating parts are replaceable from the top.
- 1/4 turn handle stops.
- 1/2"-14 NPSM adapters.
- Control mechanism is a rotating cylinder type with stainless steel plate and 90° rotation, with replaceable non-metallic seats.
- Spring loaded pop-up included with drain plug.
- Note: Standard mounting deck thickness can be extended by 1" with RP10612.

WARRANTY

- Parts and Finish - Lifetime limited warranty; or for commercial purchasers, 10 years for multi-family residential (apartments and condominiums) and 5 years for all other commercial uses, in each case from the date of purchase.
- Electronic Parts and Batteries (if applicable) - 5 years from the date of purchase; or for commercial purchasers, 1 year from the date of purchase. No warranty is provided on batteries.



COMPLIES WITH:

- ASME A112.18.1 / CSA B125.1
- ASME A112.18.2 / CSA B125.2



Indicates compliance to ICC / ANSI A117.1 - Valve control only

- EPA WaterSense®

Delta Faucet Company

55 E. 111th Street, Indianapolis, Indiana 46280
350 South Edgeware Road, St. Thomas, Ontario Canada N5P 4L1
© 2020 Delta Faucet Company