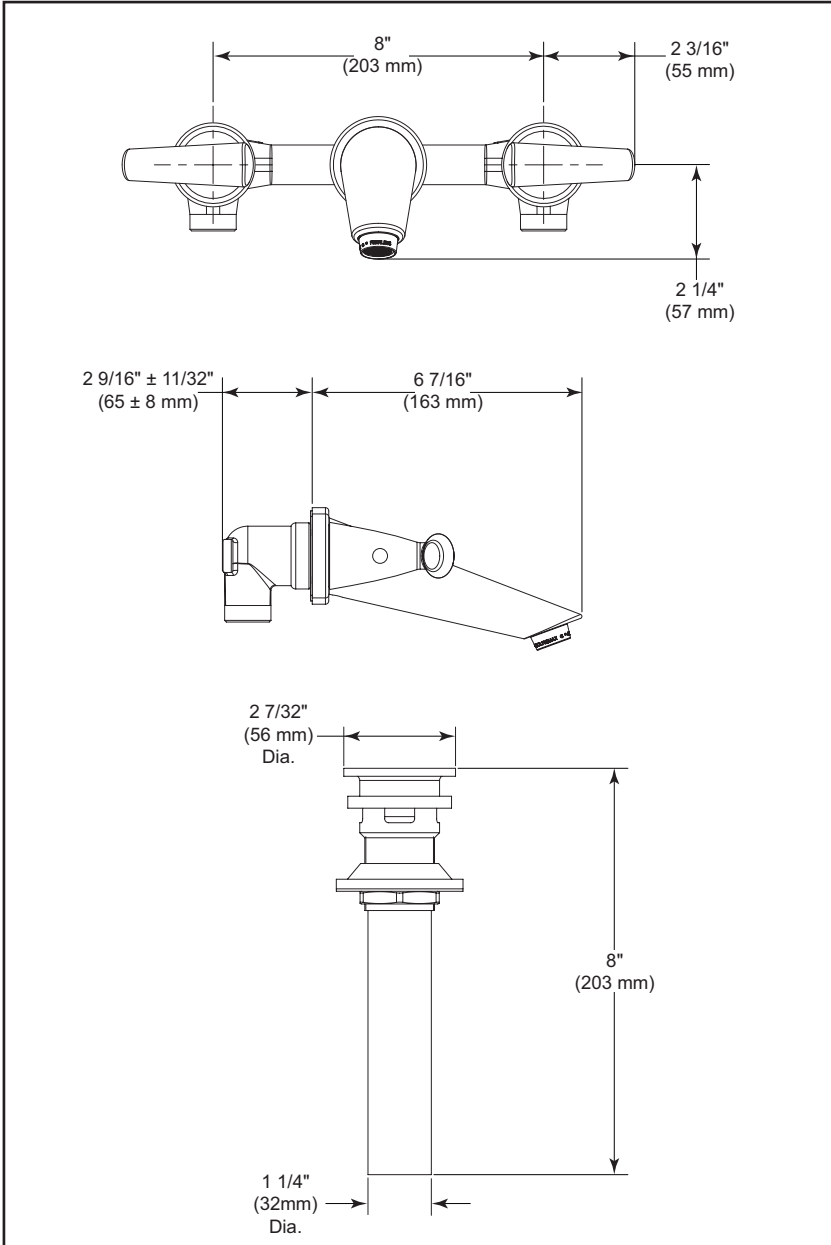


3582LF-WL ▲

Submitted Model No.: _____

Specific Features: _____



▲ Designate proper finish suffix



LAVATORY FAUCETS

- Rhythm® Series
- Two Handle Wallmount
- Vessel Sink Applications
- 3 Hole 8" Centers

STANDARD SPECIFICATIONS

- 3 hole 8" (203 mm) centers.
- 1/4 turn stops.
- Solid brass valve body and spout.
- 6 7/16" (163 mm) long, rigid spout.
- Colour coded plug buttons on handles for hot/cold identification.
- Hot and cold stems are interchangeable.
- Control mechanism shall be of the rotating cylinder type with ceramic discs and 90° rotation.
- Models have metal drain with push pop-up type fitting with plated flange and stopper.
- Maximum flow rate 1.5 gpm @ 60 PSI.

WARRANTY

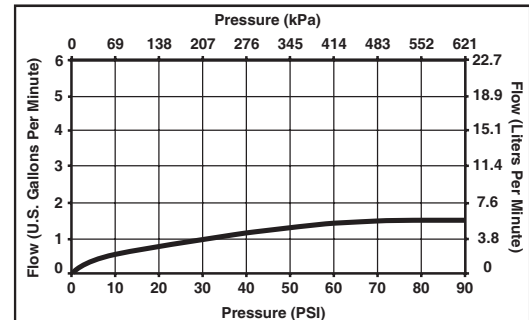
- Lifetime Faucet and Finish Limited Warranty to the Original consumer purchaser to be free from defects in material and workmanship.
- 5 Year Limited Warranty for usage in all Industrial, Commercial and business applications.



COMPLIES WITH

- ASME A112.18.1 / CSA B125.1
- ASME A112.18.2 / CSA B125.2
- NSF 61
- ICC / ANSI A117.1
- EPA WaterSense
- CSA Certified

Verified compliant with 0.25% weighted average Pb content regulations.



55 E. 111th Street, Indianapolis, Indiana 46280
 395 Matheson Blvd. E., Mississauga, ON L4Z 2H2
 © 2009 Masco Corporation of Indiana

Delta reserves the right (1) to make changes in specifications and materials, and (2) to change or discontinue models, both without notice or obligation. Dimensions are for reference only. See full-line price book or www.specselect.com for finish options and product availability.