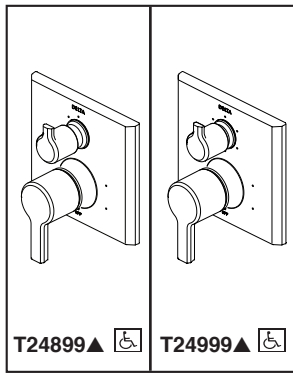




see what Delta can do™



## INTEGRATED SHOWER DIVERTER TRIM

- Pivotal™ Valve Trim with Three Function Diverter (T24899)
- Pivotal™ Valve Trim with Six Function Diverter (T24999)

Submitted Model No.: \_\_\_\_\_

Specific Features: \_\_\_\_\_

### FEATURES:

- Monitor® 14 Series pressure balanced single function bath mixing valve trim
- Three or six function diverter

### STANDARD SPECIFICATIONS:

- Main control utilizes single-function pressure balanced cartridge.
- Maintains a balanced pressure of hot and cold water even when a valve is turned on or off elsewhere in the system.
- For use with MultiChoice® Universal rough valve body. (R22000 Series)
- Top handle controls diverter functions.
- Bottom handle controls on/off and temperature.
- Field adjustable to limit handle rotation into hot water zone.
- Bottom handle 120° Maximum rotation.
- Red/Blue indicator markings.
- Three function diverter for 2 individual positions, 1 shared position.
- For two individual functions, no shared functions, order additional RP71717.
- Six function diverter for 3 individual positions, 3 shared positions.
- For three individual functions, no shared functions, order additional RP71718.
- Cartridges included.
- Standard installation allows up to 1 1/8" finished wall thickness.
- Thick wall installation kit (RP90542▲) can be ordered to allow for up to 2 1/8" finished wall thickness.
- Not recommended for tub spout applications.

### WARRANTY

- Lifetime limited warranty on parts (other than electronic parts and batteries) and finishes: or, for commercial users, for 5 years from date of purchase.
- 5 year limited warranty on electronic parts (other than batteries); or, for commercial users, for 1 year from the date of purchase. No warranty is provided on batteries.

### COMPLIES WITH:

- ASME A112.18.1 / CSA B125.1  
Indicates compliance to  
 ICC/ANSI A117.1

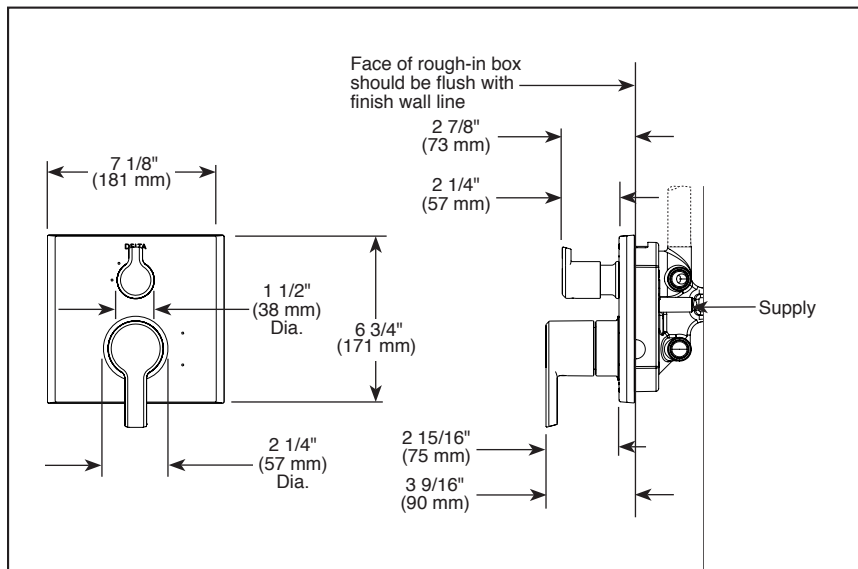
Maximum Flow Rate Guide

Rough	Cartridge	Outlet	40 psi	60 psi	80 psi
R22000	14S	Shower	4.1 gpm	5.0 gpm	5.8 gpm
R22000-WS	14S	Shower	3.9 gpm	4.8 gpm	5.6 gpm

Based on 6 Setting Diverter

### Delta Faucet Company

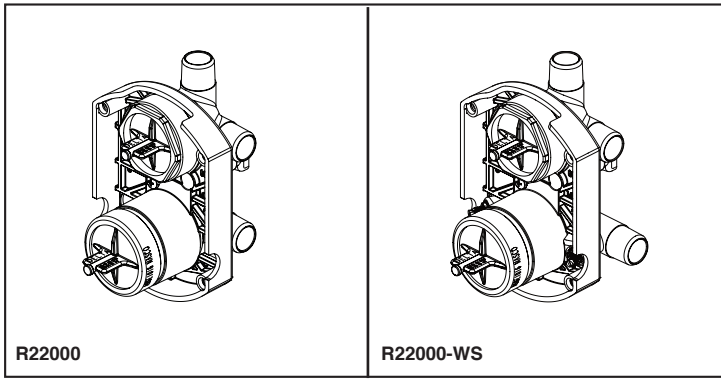
55 E 111th Street, Indianapolis, Indiana 46280  
 350 South Edgeware Road, St. Thomas, ON N5P 4L1  
 © 2017 Delta Faucet Company



### ▲ Designate Proper Finish Suffix

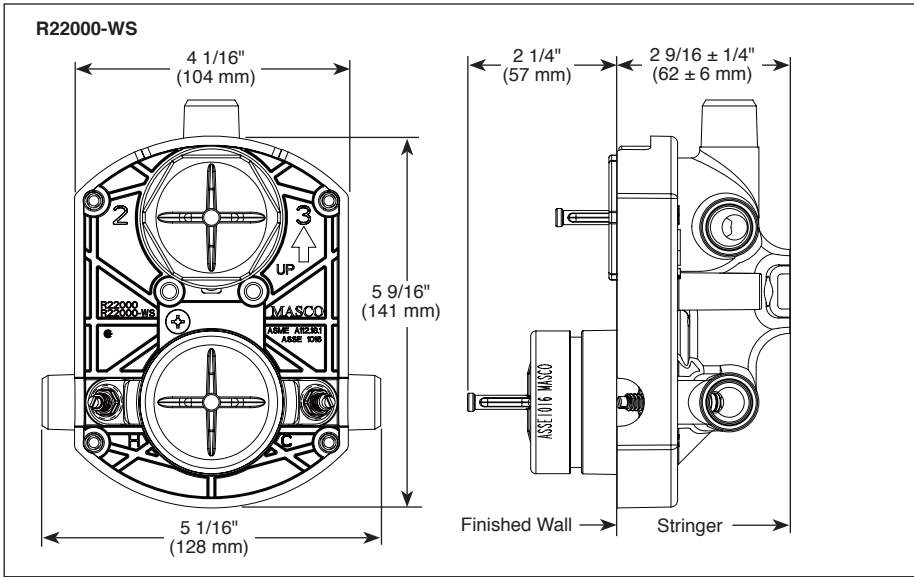
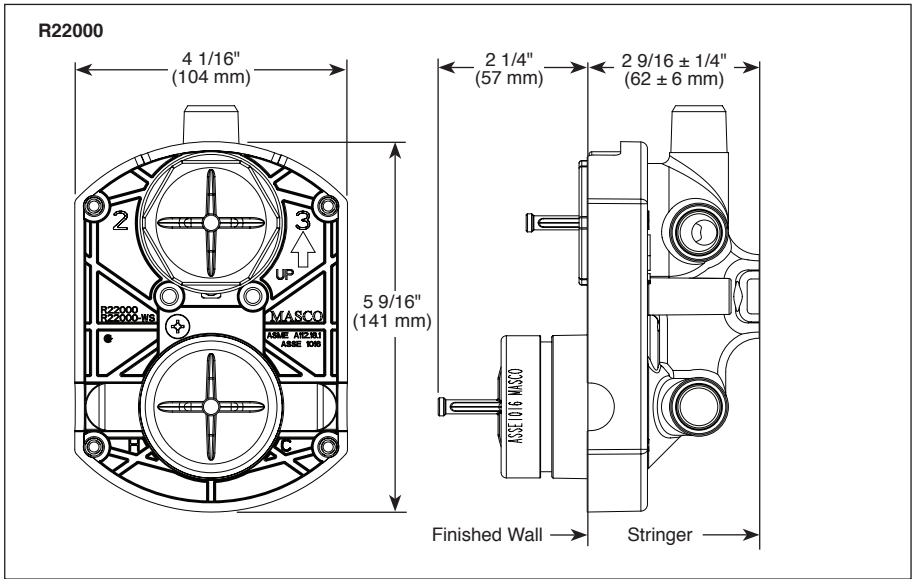


Delta reserves the right (1) to make changes in specifications and materials, and (2) to change or discontinue models, both without notice or obligation. Dimensions are for reference only. See current full-line price book or [www.deltafaucet.com](http://www.deltafaucet.com) for finish options and product availability.



Submitted Model No.: \_\_\_\_\_

Specific Features: \_\_\_\_\_



# MULTICHOICE<sup>®</sup> UNIVERSAL INTEGRATED SHOWER DIVERTER ROUGH

- R22000 (Shower Only)
- R22000-WS (Shower Only with Stops)

**STANDARD SPECIFICATIONS:**

- Forged brass body
  - Back-to-Back installation capabilities
  - Three port diverter.
  - Can be tested with air (200 PSI) or water (300 PSI) without valve using supplied test cap
  - Accepts Delta (3) three or (6) six function diverter cartridges plus all MultiChoice<sup>®</sup> cartridges.
  - Plug provided for 3 setting diverter installation.
  - Cartridges ship with trim
  - Non-shared diverter cartridges also available (RP71717 and RP71718)
  - 1/2" outlets and connections
  - Universal type fitting and is 1/2" NPT male thread with 1/2" C.W.T. female sweat
  - Sweat onto 1/2" C.W.T. or accepts 1/2" iron pipe, PEX or CPVC adapters
  - Standard installation accommodates finished wall thickness up to 1 1/8"
  - Thick wall installation kits can be ordered to allow for up to 2 1/8" finish wall thickness (order by valve type).
  - 14 Series Monitor<sup>®</sup> with Diverter Trim Extension Kit available (RP90542▲)
  - 17 Series Monitor<sup>®</sup> with Diverter Trim Extension Kit available (RP90543▲)
  - TempAssure<sup>®</sup> Thermostatic with Diverter Extension Kit available (RP90544▲)
  - Not recommended for tub spout applications
- Note: No tub outlet
- Note: Should use proper fitting with each type (copper tubing, iron pipe, and pex fitting)

**WARRANTY**

- Lifetime limited warranty on parts (other than electronic parts and batteries) and finishes: or, for commercial users, for 5 years from date of purchase.
- 5 year limited warranty on electronic parts (other than batteries); or, for commercial users, for 1 year from the date of purchase. No warranty is provided on batteries.

**COMPLIES WITH:**

- ASME A112.18.1 / CSA B125.1

Maximum Flow Rate Guide					
Rough	Cartridge	Outlet	40 psi	60 psi	80 psi
R22000	13/14S	Shower	4.1 gpm	5.0 gpm	5.8 gpm
	17S	Shower	4.7 gpm	5.8 gpm	6.7 gpm
	17T	Shower	5.9 gpm	7.2 gpm	8.3 gpm
R22000-WS	13/14S	Shower	3.9 gpm	4.8 gpm	5.6 gpm
	17S	Shower	4.4 gpm	5.4 gpm	6.3 gpm
	17T	Shower	5.3 gpm	6.5 gpm	7.4 gpm

Based on 6 Setting Diverter



55 E. 111th Street, Indianapolis, Indiana 46280  
350 South Edgeware Road, St. Thomas, ON N5P 4L1  
© 2016 Masco Corporation of Indiana

Delta reserves the right (1) to make changes in specifications and materials, and (2) to change or discontinue models, both without notice or obligation. Dimensions are for reference only. See current full-line price book or www.deltafaucet.com for finish options and product availability.



# SHOWERHEAD

- 5-Spray Setting Showerhead
- Push Button Diverter

### FEATURES:

- H<sub>2</sub>Okinetic Technology® Showerhead
- Touch-Clean® Nozzles

### STANDARD SPECIFICATIONS:

- Maximum 1.75 gpm @ 80 psi, 6.6 L/min @ 550 kPa (52664▲)
- Maximum 2.0 gpm @ 80 psi, 7.6 L/min @ 550 kPa (52664-▲20)
- Change spray modes with push button
- ABS showerhead with five spray settings – not a positive shut-off
- Metal ball connector for durability, easy installation
- Ball connector swivel angle is 44° (22° per side)
- Standard 1/2"-14 NPT pipe fitting

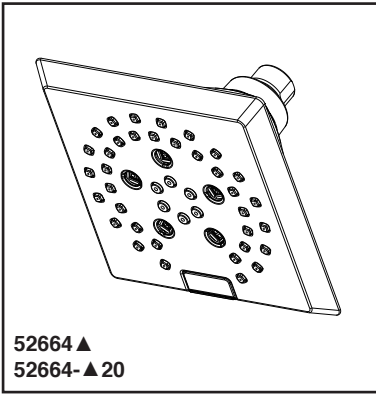
### WARRANTY

- Lifetime limited warranty on parts (other than electronic parts and batteries) and finishes: or, for commercial users, for 5 years from date of purchase.
- 5 year limited warranty on electronic parts (other than batteries); or, for commercial users, for 1 year from the date of purchase. No warranty is provided on batteries.



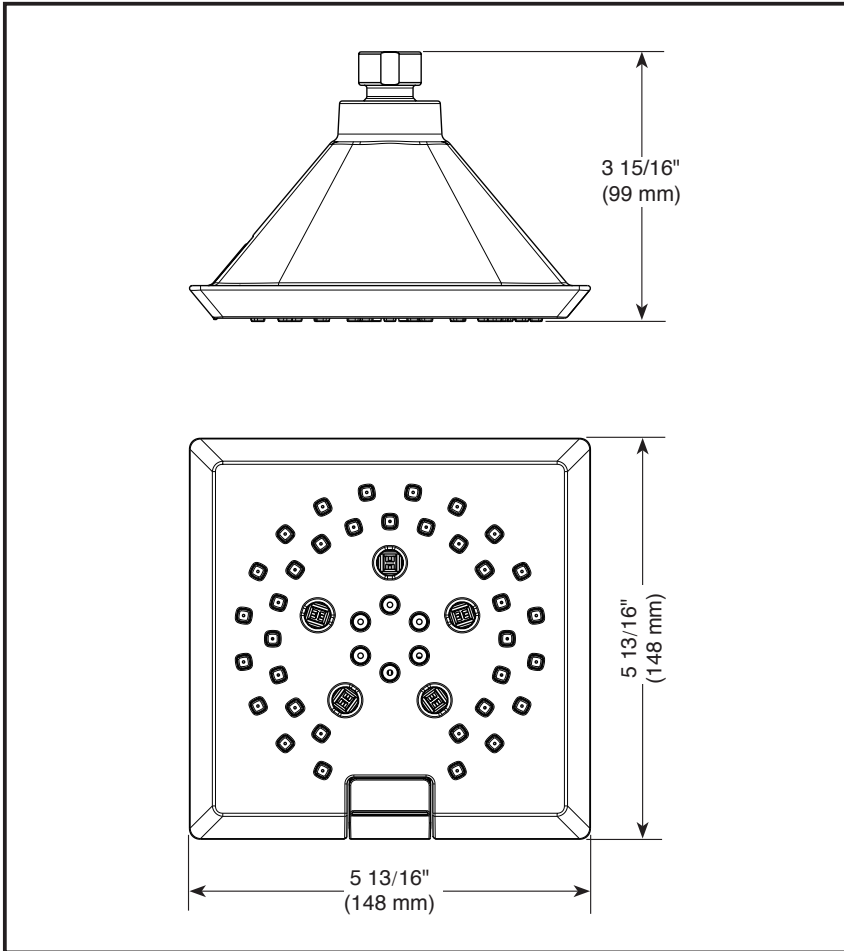
### COMPLIES WITH

- ASME A112.18.1 / CSA B125.1
- EPA WaterSense®



Submitted Model No.: \_\_\_\_\_

Specific Features: \_\_\_\_\_



▲ Designate proper finish suffix

### Spray Pattern

- H<sub>2</sub>Okinetic Spray
- Full Body Spray
- Massage Spray
- Full Spray w/ Massage
- Pause

Delta reserves the right (1) to make changes in specifications and materials, and (2) to change or discontinue models, both without notice or obligation. Dimensions are for reference only. See current full-line price book or [www.deltafaucet.com](http://www.deltafaucet.com) for finish options and product availability.

DSP-B-52664 Rev. B



55 E. 111th Street, Indianapolis, Indiana 46280  
350 South Edgeware Road, St. Thomas, Ontario Canada N5P 4L1  
© 2016 Masco Corporation of Indiana



# HANDSHOWER

- H2Okinetic Technology® Handshower
- 3-Spray Setting Handshower

## STANDARD SPECIFICATIONS:

- Maximum 1.75 gpm @ 80 psi, 6.6 L/min @ 550 kPa.
- Certified dual check valves for backflow protection.
- Change spray modes with pushbutton.
- Hand held shower with three spray settings - not a positive shut-off.
- 60"- 82"(1524mm-2083mm) stretchable metal hose.
- 24" (610 mm) wall bar with adjustable slide - 51799 only.
- Wall mount bracket for hands-free showering - 55799 only.

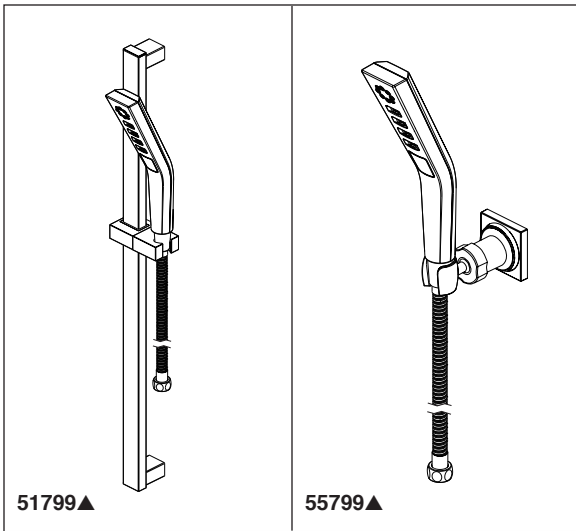
## WARRANTY

- Lifetime limited warranty on parts (other than electronic parts and batteries) and finishes; or, for commercial users, for 5 years from the date of purchase.
- 5 year limited warranty on electronic parts (other than batteries); or for commercial users, for 1 year from the date of purchase. No warranty is provided on batteries.



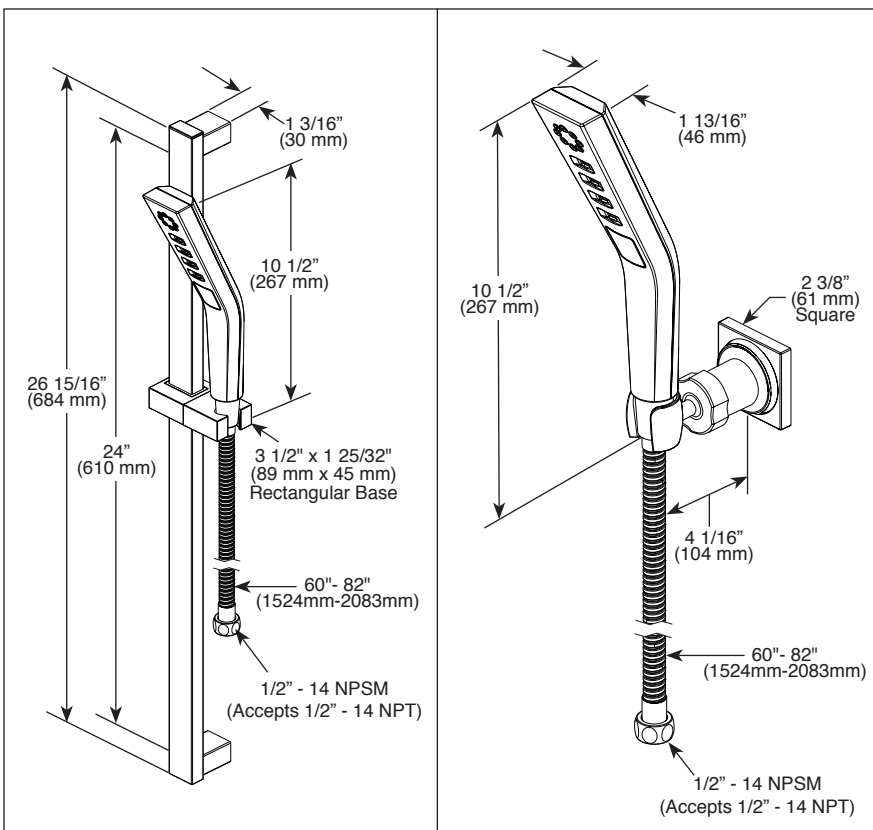
## COMPLIES WITH:

- ASME A112.18.1 / CSA B125.1
- ASME A112.18.3
- EPA WaterSense®



Submitted Model No.: \_\_\_\_\_

Specific Features: \_\_\_\_\_



▲ Designate proper finish suffix

## Spray Pattern

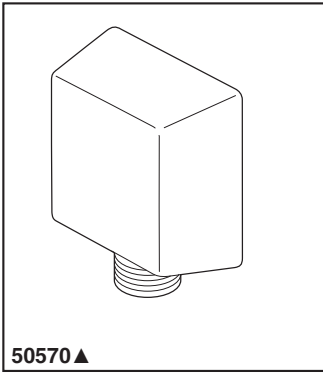


Delta reserves the right (1) to make changes in specifications and materials, and (2) to change or discontinue models, both without notice or obligation. Dimensions are for reference only. See current full-line price book or [www.deltafaucet.com](http://www.deltafaucet.com) for finish options and product availability.

DSP-B-51799 Rev. B

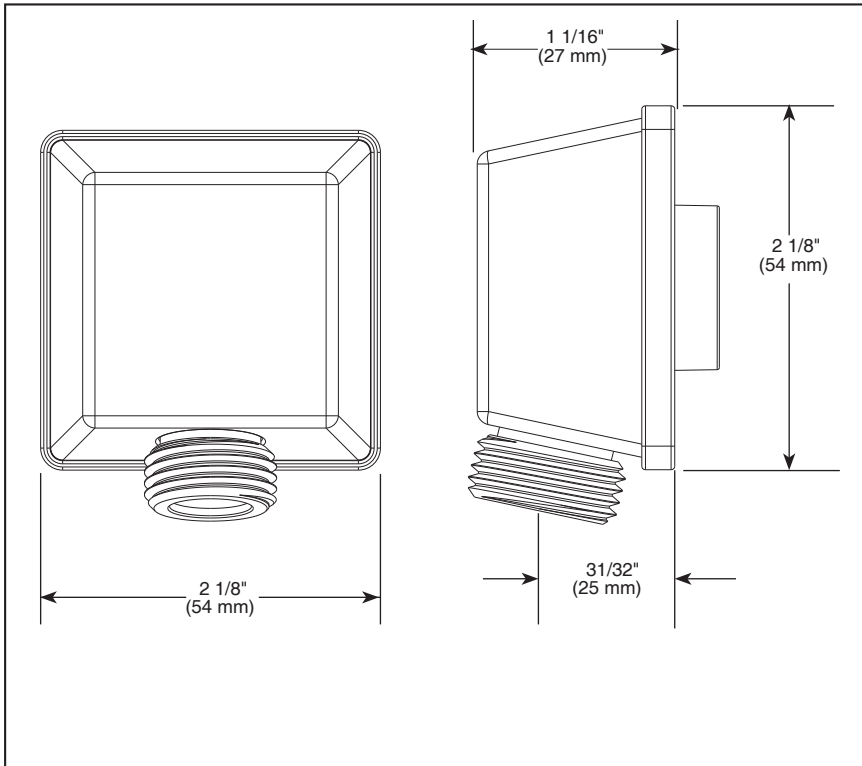


55 E. 111th Street, Indianapolis, Indiana 46280  
 350 South Edgeware Road, St. Thomas, Ontario Canada N5P 4L1  
 © 2016 Masco Corporation of Indiana



Submitted Model No.: \_\_\_\_\_

Specific Features: \_\_\_\_\_



▲ Designate proper finish suffix



## ELBOW

### STANDARD SPECIFICATIONS

- Solid brass construction.
- 1/2" female NPT inlet.
- 1/2" male NPSM outlet for connecting to shower hoses.

### WARRANTY

- Lifetime Faucet and Finish Limited Warranty to the original consumer purchaser to be free from defects in material and workmanship.
- 5 Year Limited Warranty for usage in all industrial, commercial and business applications.

### COMPLIES WITH:

- ASME A112.18.1 / CSA B125.1

Delta reserves the right (1) to make changes in specifications and materials, and (2) to change or discontinue models, both without notice or obligation. Dimensions are for reference only. See current full-line price book or [www.specselect.com](http://www.specselect.com) for finish options and product availability.

DSP-B-50570 Rev. A



55 E. 111th Street, Indianapolis, Indiana 46280  
 350 South Edgeware Road, St. Thomas, ON N5P 4L1  
 © 2012 Masco Corporation of Indiana