



INTEGRATED SHOWER DIVERTER TRIM

- Contemporary Valve Trim with Three Function Diverter (T24859)
- Contemporary Valve Trim with Six Function Diverter (T24959)

FEATURES:

- Monitor® 14 Series pressure balanced single function bath mixing valve trim
- Three or six function diverter

STANDARD SPECIFICATIONS:

- Main control utilizes single-function pressure balanced cartridge.
- Maintains a balanced pressure of hot and cold water even when a valve is turned on or off elsewhere in the system.
- For use with MultiChoice® Universal rough valve body. (R22000 Series)
- Top handle controls diverter functions.
- Bottom handle controls on/off and temperature.
- Field adjustable to limit handle rotation into hot water zone.
- Bottom handle 120° Maximum rotation.
- Red/Blue indicator markings.
- Three function diverter for 2 individual positions, 1 shared position.
- For two individual functions, no shared functions, order additional RP71717.
- Six function diverter for 3 individual positions, 3 shared positions.
- For three individual functions, no shared functions, order additional RP71718.
- Cartridges included.
- Standard installation allows up to 1 1/8" finished wall thickness.
- Thick wall installation kit (RP90542▲) can be ordered to allow for up to 2 1/8" finished wall thickness.
- Not recommended for tub spout applications.

WARRANTY

- Lifetime limited warranty on parts (other than electronic parts and batteries) and finishes: or, for commercial users, for 5 years from date of purchase.
- 5 year limited warranty on electronic parts (other than batteries); or, for commercial users, for 1 year from the date of purchase. No warranty is provided on batteries.

COMPLIES WITH:

- ASME A112.18.1 / CSA B125.1
Indicates compliance to
 ICC/ANSI A117.1

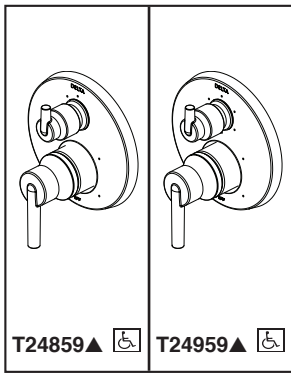
Maximum Flow Rate Guide

Rough	Cartridge	Outlet	40 psi	60 psi	80 psi
R22000	14S	Shower	4.1 gpm	5.0 gpm	5.8 gpm
R22000-WS	14S	Shower	3.9 gpm	4.8 gpm	5.6 gpm

Based on 6 Setting Diverter

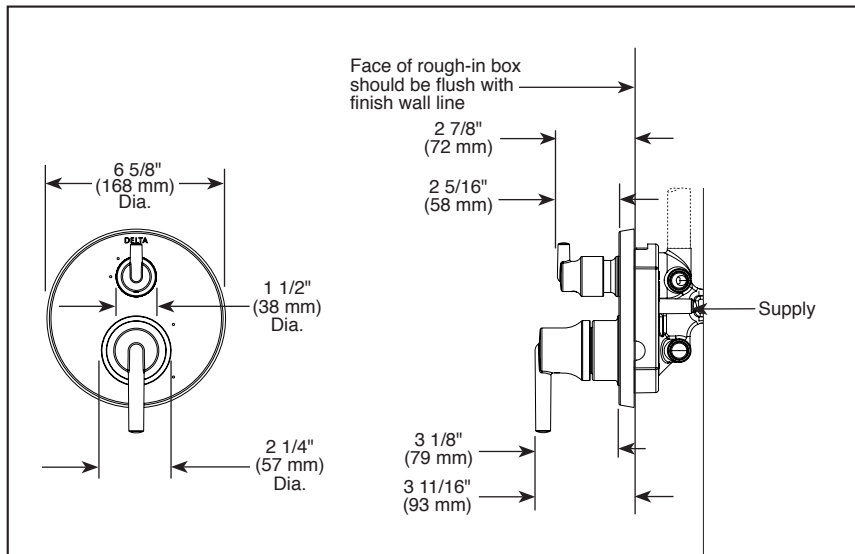


55 E 111th Street, Indianapolis, Indiana 46280
 350 South Edgeware Road, St. Thomas, ON N5P 4L1
 © 2016 Masco Corporation of Indiana



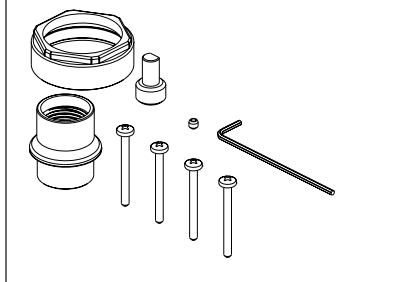
Submitted Model No.: _____

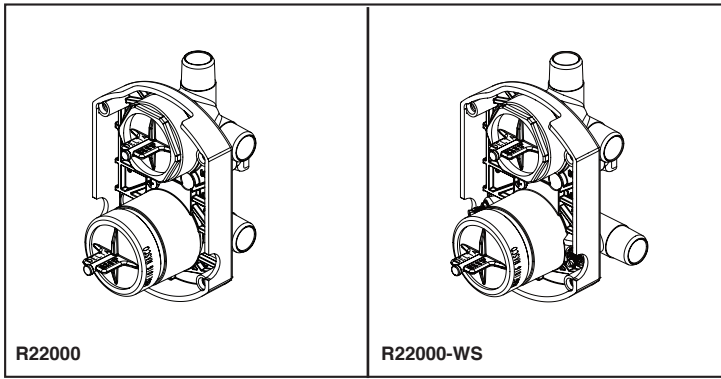
Specific Features: _____



▲ Designate Proper Finish Suffix

RP90542 Available Thick Wall Installation Kit



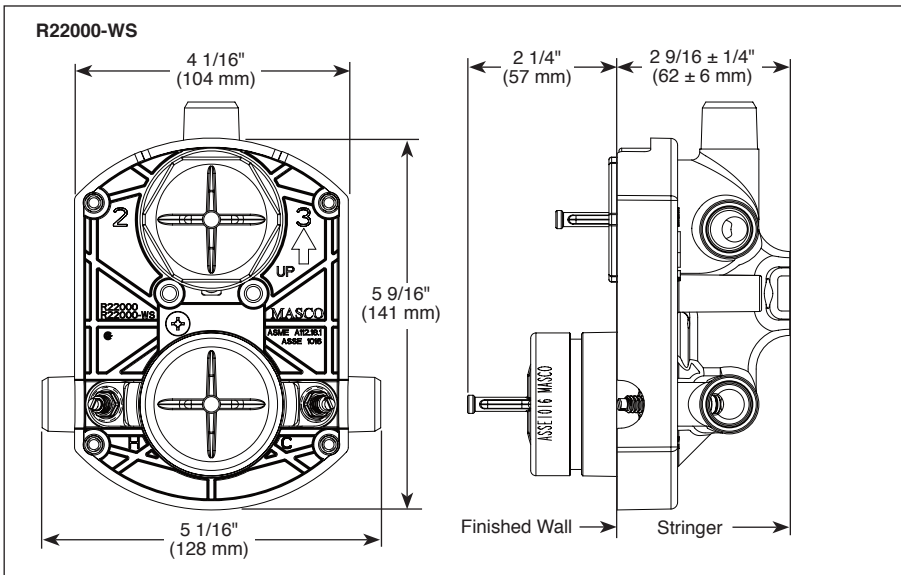
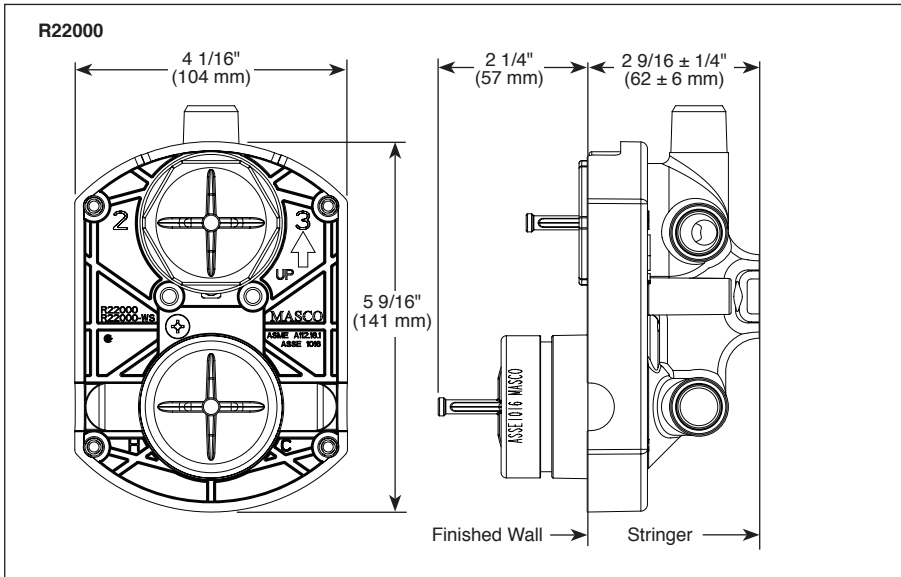


R22000

R22000-WS

Submitted Model No.: _____

Specific Features: _____



MULTICHOICE[®] UNIVERSAL INTEGRATED SHOWER DIVERTER ROUGH

- R22000 (Shower Only)
- R22000-WS (Shower Only with Stops)

STANDARD SPECIFICATIONS:

- Forged brass body
 - Back-to-Back installation capabilities
 - Three port diverter.
 - Can be tested with air (200 PSI) or water (300 PSI) without valve using supplied test cap
 - Accepts Delta (3) three or (6) six function diverter cartridges plus all MultiChoice[®] cartridges.
 - Plug provided for 3 setting diverter installation.
 - Cartridges ship with trim
 - Non-shared diverter cartridges also available (RP71717 and RP71718)
 - 1/2" outlets and connections
 - Universal type fitting and is 1/2" NPT male thread with 1/2" C.W.T. female sweat
 - Sweat onto 1/2" C.W.T. or accepts 1/2" iron pipe, PEX or CPVC adapters
 - Standard installation accommodates finished wall thickness up to 1 1/8"
 - Thick wall installation kits can be ordered to allow for up to 2 1/8" finish wall thickness (order by valve type).
 - 14 Series Monitor[®] with Diverter Trim Extension Kit available (RP90542▲)
 - 17 Series Monitor[®] with Diverter Trim Extension Kit available (RP90543▲)
 - TempAssure[®] Thermostatic with Diverter Extension Kit available (RP90544▲)
 - Not recommended for tub spout applications
- Note: No tub outlet
- Note: Should use proper fitting with each type (copper tubing, iron pipe, and pex fitting)

WARRANTY

- Lifetime limited warranty on parts (other than electronic parts and batteries) and finishes: or, for commercial users, for 5 years from date of purchase.
- 5 year limited warranty on electronic parts (other than batteries); or, for commercial users, for 1 year from the date of purchase. No warranty is provided on batteries.

COMPLIES WITH:

- ASME A112.18.1 / CSA B125.1

Maximum Flow Rate Guide					
Rough	Cartridge	Outlet	40 psi	60 psi	80 psi
R22000	13/14S	Shower	4.1 gpm	5.0 gpm	5.8 gpm
	17S	Shower	4.7 gpm	5.8 gpm	6.7 gpm
	17T	Shower	5.9 gpm	7.2 gpm	8.3 gpm
R22000-WS	13/14S	Shower	3.9 gpm	4.8 gpm	5.6 gpm
	17S	Shower	4.4 gpm	5.4 gpm	6.3 gpm
	17T	Shower	5.3 gpm	6.5 gpm	7.4 gpm

Based on 6 Setting Diverter



55 E. 111th Street, Indianapolis, Indiana 46280
350 South Edgeware Road, St. Thomas, ON N5P 4L1
© 2016 Masco Corporation of Indiana

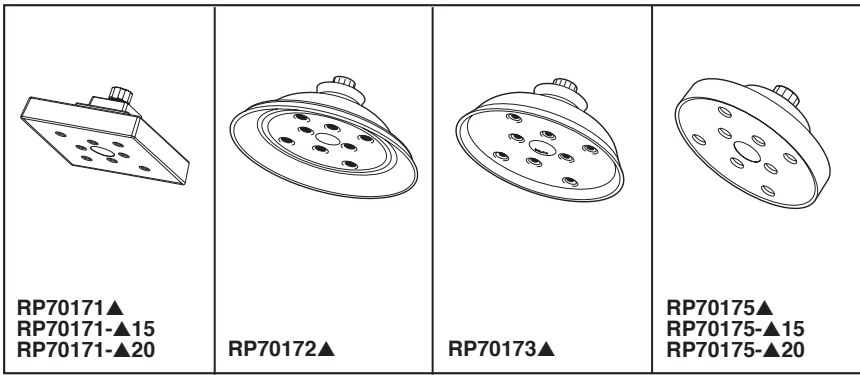
Delta reserves the right (1) to make changes in specifications and materials, and (2) to change or discontinue models, both without notice or obligation. Dimensions are for reference only. See current full-line price book or www.deltafaucet.com for finish options and product availability.



see what Delta can do™

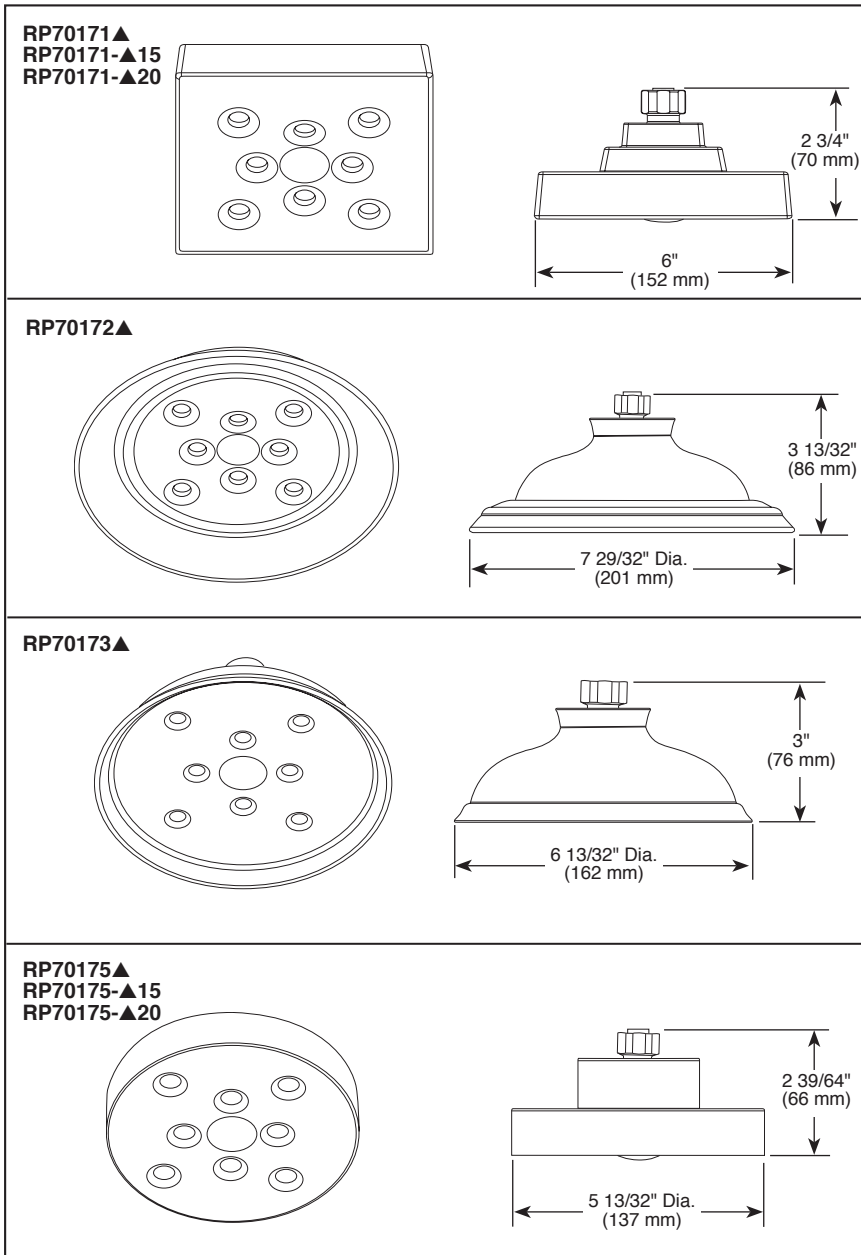
WATER EFFICIENT SHOWERHEADS

■ H₂Okinetic Technology®



Submitted Model No.: _____

Specific Features: _____



▲ Designate Proper Finish Suffix

STANDARD SPECIFICATIONS

- H₂Okinetic spray
- Standard 1/2" pipe fitting
- Maximum 1.5 gpm @ 80 psi, 5.7 L/min @ 550 kPa (RP70171-▲15 & RP70175-▲15)
- Maximum 1.75 gpm @ 80 psi, 6.6 L/min @ 550 kPa (RP70171▲, RP70172▲, RP70173▲ & RP70175▲)
- Maximum 2.0 gpm @ 80 psi, 7.6 L/min @ 550 kPa (RP70171-▲20 & RP70175-▲20)

WARRANTY

- Lifetime limited warranty on parts (other than electronic parts and batteries) and finishes: or, for commercial users, for 5 years from date of purchase.
- 5 year limited warranty on electronic parts (other than batteries); or, for commercial users, for 1 year from the date of purchase. No warranty is provided on batteries.



COMPLIES WITH:

- ASME A112.18.1 / CSA B125.1
- EPA WaterSense®

Spray Patterns



H₂Okinetic®
Spray

Delta reserves the right (1) to make changes in specifications and materials, and (2) to change or discontinue models, both without notice or obligation. Dimensions are for reference only. See current full-line price book or www.deltafaucet.com for finish options and product availability.

DSP-B-RP70172 Rev. F

Delta Faucet Company

55 E. 111th Street, Indianapolis, IN 46280
350 South Edgware Road, St. Thomas, ON N5P 4L1
© 2017 Delta Faucet Company

Submitted Model No.: _____
 Specific Features: _____



PERSONAL HAND HELD SHOWERS

Wall Mount Handshower

STANDARD SPECIFICATIONS:

- 2.50 gpm @ 80 psi, 9.5 L/min @ 550 kPa
- 2.00 gpm @ 80 psi, 7.6 L/min @ 550 kPa
- ABS hand held shower with one or five settings – not a positive shut-off
- 70" ultra-flex hose: 55013 & 57014
- 60"-82" stretchable metal hose: 57021, 57051, 57085, 55020, 55021, 55051 & 55085
- Certified dual check valves for backflow protection
- 24" (610 mm) wall bar with adjustable slide (allows for adjustable shower height) - 57014, 57021, 57051 and 57085 only. Not to be used as a Grab Bar. Not ADA compliant
- Wall mount bracket - 55013, 55020, 55051 and 55085 only

WARRANTY

- Lifetime limited warranty on parts (other than electronic parts and batteries) and finishes: or, for commercial users, for 5 years from date of purchase.
- 5 year limited warranty on electronic parts (other than batteries); or, for commercial users, for 1 year from the date of purchase. No warranty is provided on batteries.



- ### COMPLIES WITH:
- ASME A112.18.1/CSA B125.1
 - EPA WaterSense®

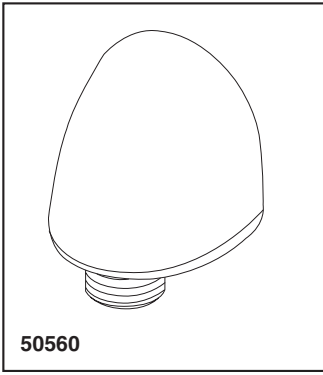
<p>57014▲ 2.5 GPM</p> <p>Full Body Spray Massage Spray Aerated Spray</p> <p>Accepts 1/2" - 14 NPSM Male</p>	<p>57021▲ 2.0 GPM</p> <p>Full Body Spray Massage Spray Aerated Spray</p> <p>Accepts 1/2" - 14 NPSM Male</p>	<p>57051▲ 2.0 GPM</p> <p>Full Body Spray</p> <p>Accepts 1/2" - 14 NPSM Male</p>
<p>57085▲ 2.0 GPM</p> <p>Full Body Spray</p> <p>Accepts 1/2" - 14 NPSM Male</p>	<p>55013▲ 2.0 GPM</p> <p>Full Body Spray</p> <p>Accepts 1/2" - 14 NPSM Male</p>	<p>55020▲ 2.0 GPM</p> <p>Full Body Spray</p> <p>Accepts 1/2" - 14 NPSM Male</p>
<p>55021▲ 2.0 GPM</p> <p>Full Body Spray Massage Spray Aerated Spray</p> <p>Accepts 1/2" - 14 NPSM Male</p>	<p>55051▲ 2.0 GPM</p> <p>Full Body Spray</p> <p>Accepts 1/2" - 14 NPSM Male</p>	<p>55085▲ 2.0 GPM</p> <p>Full Body Spray</p> <p>Accepts 1/2" - 14 NPSM Male</p>

- ▲ Designate proper finish suffix
- ◆ Your Delta Faucet handshower incorporates a backflow protection system that has been tested to be in compliance with ASME A112.18.3 and ASME A112.18.1/CSA B125.1. It incorporates two certified check valves in series, which operate independently and are integral, non-serviceable parts of the wand assembly.



55 E. 111th Street, Indianapolis, Indiana 46280
 350 South Edgeware Road, St. Thomas, ON N5P 4L1
 © 2016 Masco Corporation of Indiana

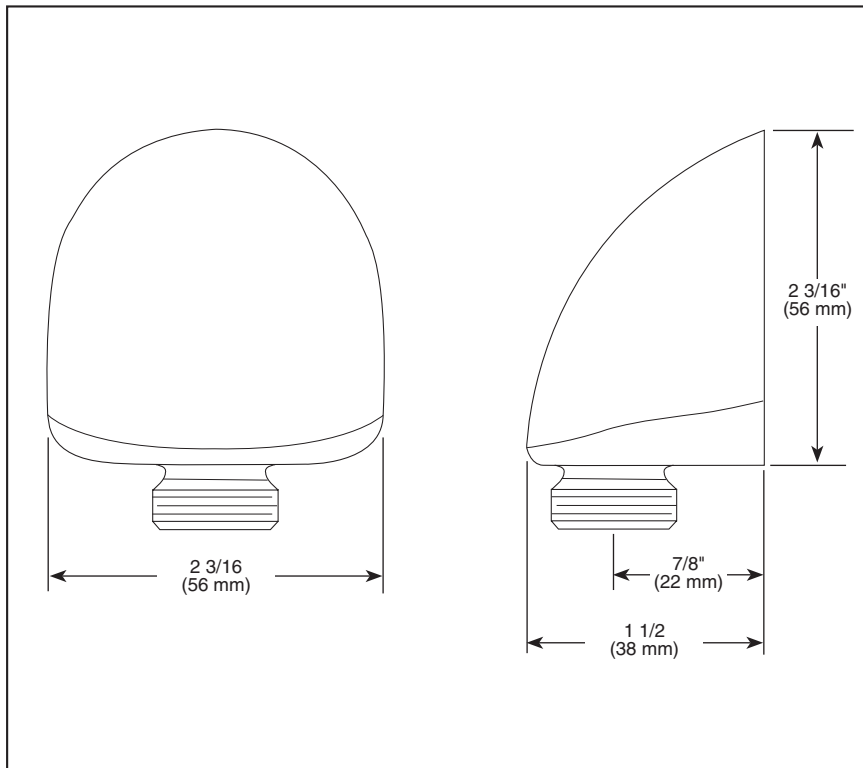
Delta reserves the right (1) to make changes in specifications and materials, and (2) to change or discontinue models, both without notice or obligation. Dimensions are for reference only. See current full-line price book or www.deltafaucet.com for finish options and product availability.
 DSP-B-55021 Rev. B



50560

Submitted Model No.: _____

Specific Features: _____



ELBOW

STANDARD SPECIFICATIONS

- Solid brass construction.
- 1/2" female NPT inlet.
- 1/2" male NPSM outlet for connecting to shower hoses.

WARRANTY

- Lifetime Faucet and Finish Limited Warranty to the original consumer purchaser to be free from defects in material and workmanship.
- 5 Year Limited Warranty for usage in all industrial, commercial and business applications.

COMPLIES WITH:

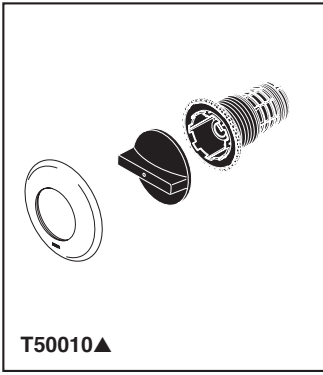
- ASME A112.18.1 / CSA B125.1

Delta reserves the right (1) to make changes in specifications and materials, and (2) to change or discontinue models, both without notice or obligation. Dimensions are for reference only. See current full-line price book or www.specselect.com for finish options and product availability.

DSP-B-50560 Rev. A

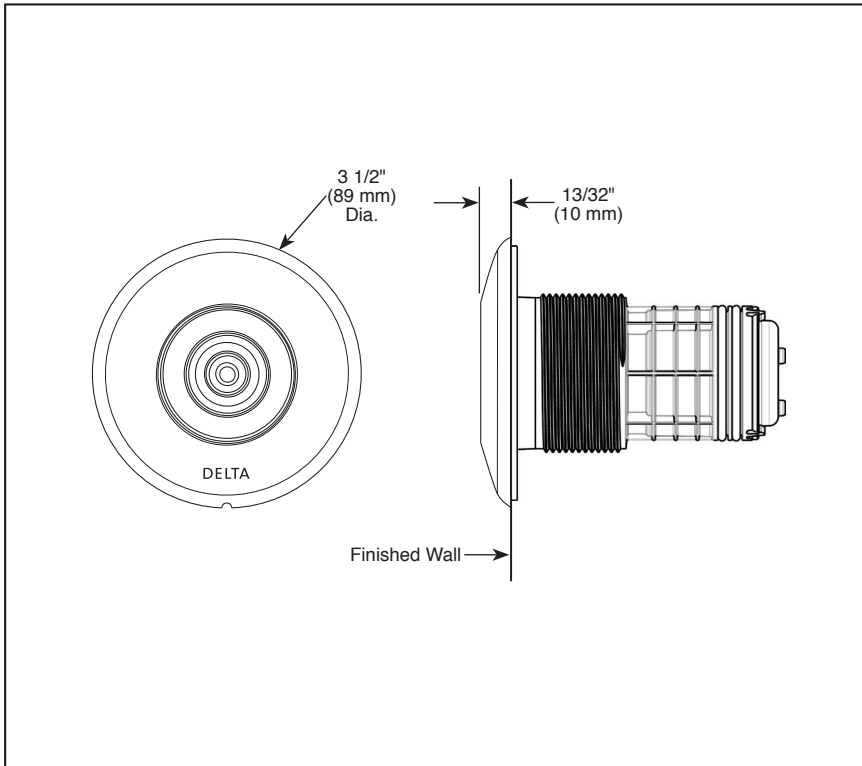


55 E. 111th Street, Indianapolis, Indiana 46280
 350 South Edgeware Road, St. Thomas, ON N5P 4L1
 © 2012 Masco Corporation of Indiana



Submitted Model No.: _____

Specific Features: _____



▲ Designate proper finish suffix



HYDRACHOICE™ ROUND BODY SPRAY TRIM

■ 1.0 GPM

STANDARD SPECIFICATIONS

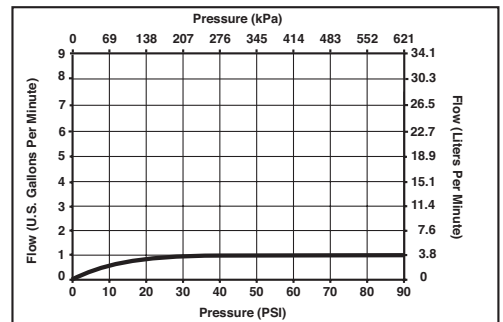
- Flush mount installation.
- Must also order rough (R50200) and spray heads (SH5000▲, SH5002▲, SH5003▲, or SH5005▲) separately.
- 1.0 gpm @ 80 PSI, 3.8 L/min @ 550 kPa.

WARRANTY

- Lifetime limited warranty on parts (other than electronic parts and batteries) and finishes: or, for commercial users, for 5 years from date of purchase.
- 5 year limited warranty on electronic parts (other than batteries); or, for commercial users, for 1 year from the date of purchase. No warranty is provided on batteries.

COMPLIES WITH:

- ASME A112.18.1 / CSA B125.1



Delta reserves the right (1) to make changes in specifications and materials, and (2) to change or discontinue models, both without notice or obligation. Dimensions are for reference only. See current full-line price book or www.deltafaucet.com for finish options and product availability.

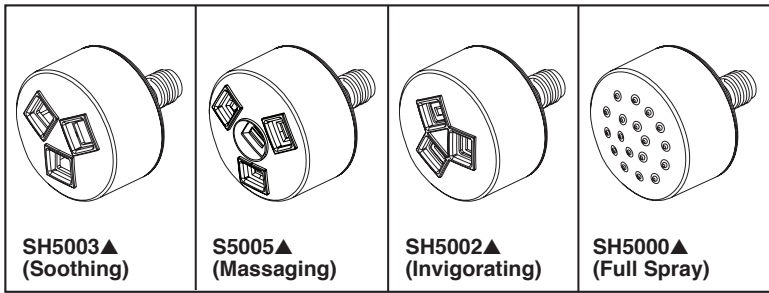
DSP-B-T50010 Rev. B



55 E. 111th Street, Indianapolis, Indiana 46280
350 South Edgeware Road, St. Thomas, ON N5P 4L1
© 2014 Masco Corporation of Indiana

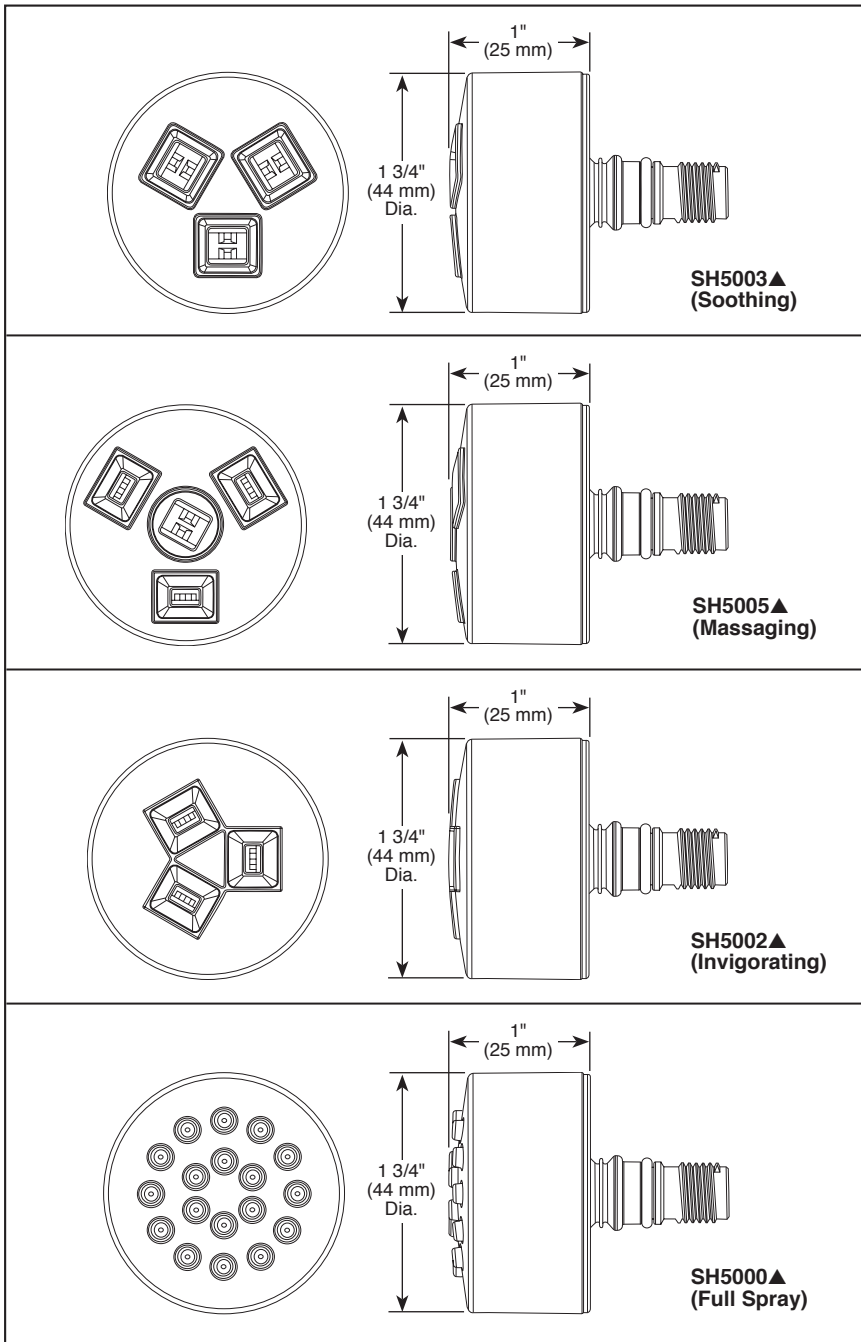


HYDRACHOICE™ SPRAY HEADS



Submitted Model No.: _____

Specific Features: _____



STANDARD SPECIFICATIONS

- Must order rough (R50200) and trim (T50010▲ or T50210▲) separately.
- Spray head automatically extends 1 11/32" out of the wall when water is turned on.
- Spray heads are interchangeable by user.
- Spray heads adjust up to 50° in any direction once extended.
- HydraChoice™ soothing, massaging, and invigorating spray heads feature H₂Okinetic® Technology.
- HydraChoice™ full spray head features Touch-Clean® spray holes.

WARRANTY

- Lifetime limited warranty on parts (other than electronic parts and batteries) and finishes: or, for commercial users, for 5 years from date of purchase.
- 5 year limited warranty on electronic parts (other than batteries); or, for commercial users, for 1 year from the date of purchase. No warranty is provided on batteries.

COMPLIES WITH:

- ASME A112.18.1 / CSA B125.1

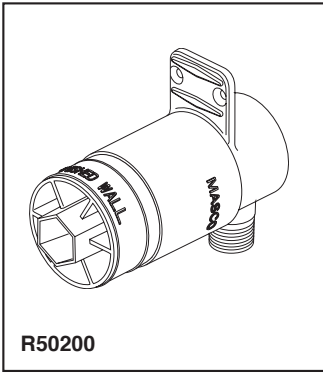
▲ Designate proper finish suffix

Delta reserves the right (1) to make changes in specifications and materials, and (2) to change or discontinue models, both without notice or obligation. Dimensions are for reference only. See current full-line price book or www.deltafaucet.com for finish options and product availability.

DSP-B-SH5000 Rev. B

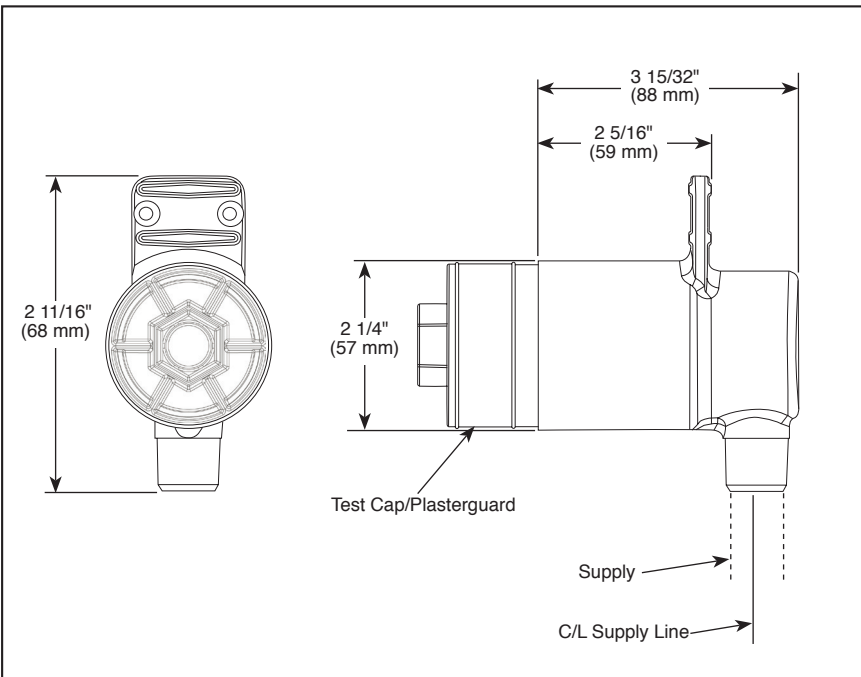


55 E. 111th Street, Indianapolis, Indiana 46280
350 South Edgeware Road, St. Thomas, ON N5P 4L1
© 2014 Masco Corporation of Indiana



Submitted Model No.: _____

Specific Features: _____



▲ Designate proper finish suffix



HYDRACHOICE™ ROUGH VALVE BODY

- R50200 (Case Qty. 3)
- 1/2" Rough-In

STANDARD SPECIFICATIONS

- 2 9/16" thru hole in wall.
- Forged brass body.
- Includes test cap and plasterguard.
- Can be tested with air (200 psi) or water (300 psi) using supplied test cap.
- Accomodates up to 3" wall thickness.
- Must also order trim (T50010▲ or T50210▲) and spray heads (SH5000▲, SH5002▲, SH5003▲, or SH5005▲) separately.

WARRANTY

- Lifetime limited warranty on parts (other than electronic parts and batteries) and finishes: or, for commercial users, for 5 years from date of purchase.
- 5 year limited warranty on electronic parts (other than batteries); or, for commercial users, for 1 year from the date of purchase. No warranty is provided on batteries.

COMPLIES WITH:

- ASME A112.18.1 / CSA B125.1

Delta reserves the right (1) to make changes in specifications and materials, and (2) to change or discontinue models, both without notice or obligation. Dimensions are for reference only. See current full-line price book or www.deltafaucet.com for finish options and product availability.

DSP-B-R50200 Rev. B



55 E. 111th Street, Indianapolis, Indiana 46280
350 South Edgeware Road, St. Thomas, ON N5P 4L1
© 2015 Masco Corporation of Indiana