



# MultiChoice® Valve Trim with Diverter Installation Instructions

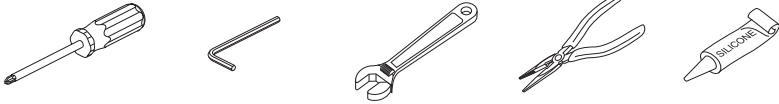
## Owners Manual

T27859, T27867, T27897,  
T27959, T27967 & T27997  
Series

82667

Write purchased model number here.

### You May Need



### Table of Contents:

|   |             |
|---|-------------|
| Warranties .....                        | Page 2      |
| Installation Instructions .....         | Pages 3 - 7 |
| Clean and care.....                     | Page 9      |
| Maintenance .....                       | Page 9      |
| Cartridge Summary Reference Sheet ..... | Page 9      |
| Classic Series Replacement Parts .....  | Page 10-12  |

**For additional replacement parts, visit [www.deltafaucet.com](http://www.deltafaucet.com)**

**THIS VALVE MEETS OR EXCEEDS THE FOLLOWING STANDARDS: ASME A112.18.1/ CSA B125.1 and ASSE 1016 (Type -P- or -T-).**

**CAUTION:** This system/device must be set by the installer to ensure safe, maximum temperature. Any change in the setting may raise the discharge temperature above the limit considered safe and may lead to hot water burns.

**NOTICE TO INSTALLER: CAUTION!**—As the installer of this valve, it is your responsibility to properly **INSTALL** and **ADJUST** this valve per the instructions given. This valve does not automatically adjust for inlet temperature changes, therefore, someone must make the necessary Rotational Limit Stop adjustments at the time of installation and further adjustments may be necessary due to seasonal water temperature change. **YOU MUST** inform the owner/user of this requirement by following the instructions. If you or the owner/user are unsure how to properly make these adjustments please refer to page 7 and if still uncertain, call us at 1-800-345-DELTA.

After installation and adjustment, you must affix your name, company name and the date you

adjusted the Rotational Limit Stop to the caution label provided and apply or attach the label to the back side of the closest cabinet door and the warning label to the water heater. **Leave this Instruction Sheet for the owner's/user's reference.**

**WARNING:** This pressure balanced or thermostatic bath valve is designed to minimize the effects of outlet water temperature changes due to inlet pressure changes, commonly caused by dishwashers, washing machines, toilets and the like. It may not provide protection from hot water burns when there is a failure of other temperature controlling devices elsewhere in the plumbing system, if the rotational limit stop is not properly set or if the hot water temperature is changed after the settings are made or if the water inlet changes due to seasonal changes.

**WARNING:** Do not install a shut-off device on either outlet of this valve. When this type of device shuts off the water flow, it can defeat the ability of the valve to balance the hot and cold water pressures.

# Lifetime Faucet and Finish Limited Warranty

## Parts and Finish

All parts (other than electronic parts and batteries) and finishes of this Delta® faucet are warranted to the original consumer purchaser to be free from defects in material and workmanship for as long as the original consumer purchaser owns the home in which the faucet was first installed or, for commercial users, **for 5 years from the date of purchase.**

## Electronic Parts and Batteries (if applicable)

Electronic parts (other than batteries), if any, of this Delta® faucet are warranted to the original consumer purchaser to be free from defects in material and workmanship for 5 years from the date of purchase or, for commercial users, for one year from the date of purchase. No warranty is provided on batteries.

Delta Faucet Company will replace, **FREE OF CHARGE**, during the applicable warranty period, any part or finish that proves defective in material and/or workmanship under normal installation, use and service. If repair or replacement is not practical, Delta Faucet Company may elect to refund the purchase price in exchange for the return of the product. **These are your exclusive remedies.**

Delta Faucet Company recommends using a professional plumber for all installation and repair. We also recommend that you use only genuine Delta® replacement parts.

Delta Faucet Company shall not be liable for any damage to the faucet resulting from misuse, abuse, neglect or improper or incorrectly performed installation, maintenance or repair, including failure to follow the applicable care and cleaning instructions.

Replacement parts may be obtained by calling the applicable number below or by writing to:

## In the United States and Mexico:

Delta Faucet Company  
Product Service  
55 E. 111th Street  
Indianapolis, IN 46280  
1-800-345-DELTA (3358)  
customerservice@deltafaucet.com

## In Canada:

Masco Canada Limited, Plumbing Group  
Technical Service Centre  
350 South Edgeware Road  
St. Thomas, Ontario, Canada N5P 4L1  
1-800-345-DELTA (3358)  
customerservice@mascocanada.com

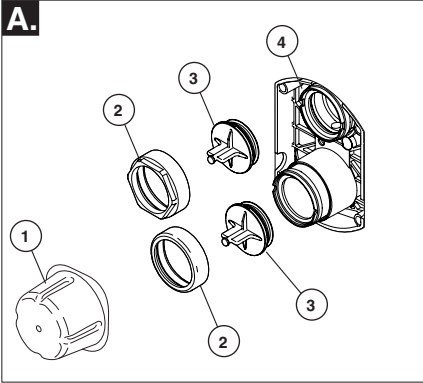
Proof of purchase (original sales receipt) from the original purchaser must be made available to Delta Faucet Company for all warranty claims unless the purchaser has registered the product with Delta Faucet Company. This warranty applies only to Delta® faucets manufactured after January 1, 1995 and installed in the United States of America, Canada and Mexico.

DELTA FAUCET COMPANY SHALL NOT BE LIABLE FOR ANY SPECIAL, INCIDENTAL OR CONSEQUENTIAL DAMAGES (INCLUDING LABOR CHARGES) FOR BREACH OF ANY EXPRESS OR IMPLIED WARRANTY ON THE FAUCET. Some states/provinces do not allow the exclusion or limitation of special, incidental or consequential damages, so these limitations and exclusions may not apply to you. This warranty gives you special legal rights. You may also have other rights which vary from state/province to state/province.

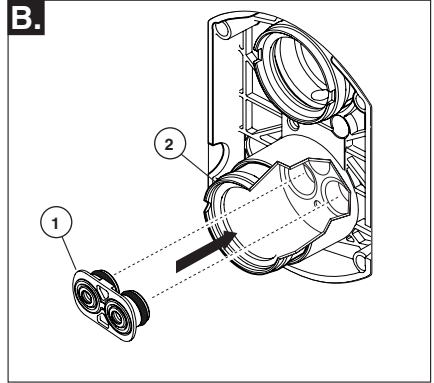
This is Delta Faucet Company's exclusive written warranty and the warranty is not transferable.

If you have any questions or concerns regarding our warranty, please view our Warranty FAQs at [www.deltafaucet.com](http://www.deltafaucet.com), email us at [customerservice@deltafaucet.com](mailto:customerservice@deltafaucet.com) or call us at the applicable number above.

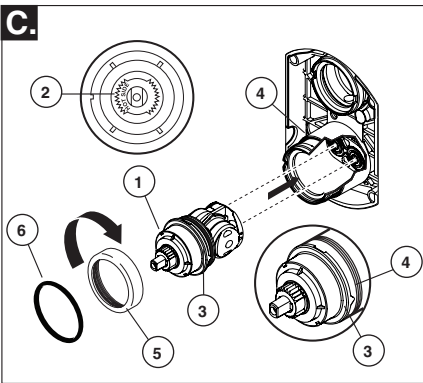
## 1 Cartridge Installation



**Turn off water supplies.** Remove cover (1), bonnet nuts (2) and test caps (3) from the rough-in body (4). Place a bucket or small container over the front of the valve body and slowly open the water supplies to flush any debris from the supply lines before installing the cartridge. Turn the water supplies back off.

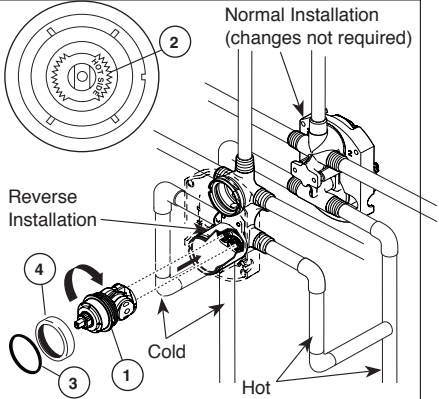


Insert adapter assembly (1) into rough-in body (2). Make sure the adapter assembly is correctly positioned and is pressed all the way down inside rough-in body.



Rotate cartridge (1) so the words "HOT SIDE" (2) appear on the left. Insert cartridge assembly into rough-in body. Make sure the key (3) on the valve cartridge is fully engaged with the slot in the brass body (4). Insert bonnet nut (5) over the cartridge and thread onto the body. Hand tighten securely, slide o-ring (6) over bonnet nut and cartridge. A light coating of plumbers grease applied to o-rings may aid in assembly.

## Back to back Installation



For the exceptions of back to back or reverse installations (hot on right and cold on left) only: Rotate valve cartridge (1) so "HOT SIDE" appears on the right.

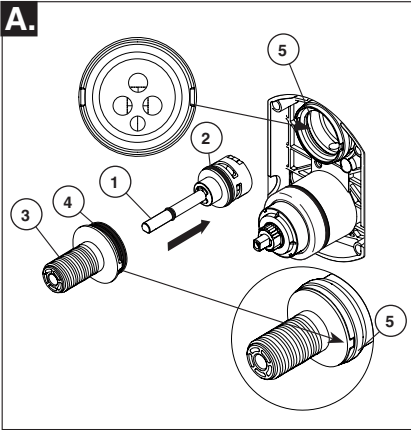
Apply silicone lube to the three o-rings shown above to make the cartridge easier to install and remove from the rough-in body.

Install the cartridge making sure that the keys are fully engaged with the slot in the rough-in body (see step C).

Slide o-ring (3) and bonnet nut (4) over the cartridge and thread onto the rough-in body. Hand tighten securely.

# Installation

## 2 Diverter Cartridge Installation

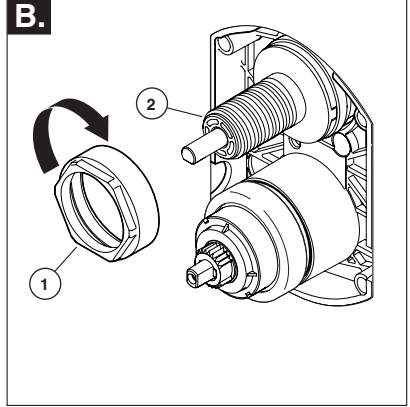


### FOR DIVERTER CARTRIDGE INSTALLATION:

Apply silicone lube to the o-ring (2) to make the diverter sleeve (3) easier to install diverter cartridge. A light coating of plumbers grease applied to o-rings (4) may aid in assembly.

Install diverter cartridge (1) assuring that the locating pin on the bottom of the cartridge aligns with mating hole in rough-in body.

Slide diverter sleeve (3) over cartridge stem aligning tabs on the diverter sleeve with slots in rough-in body (5).



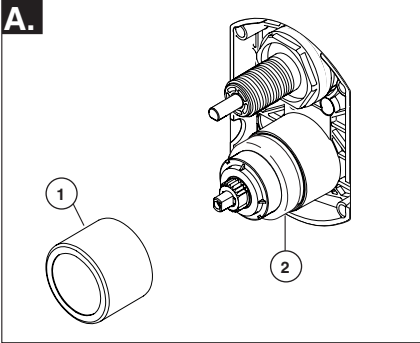
### For Bonnet Installation

Slide bonnet nut (1) over diverter sleeve (2) and thread into rough-in body.

Hand tighten securely.



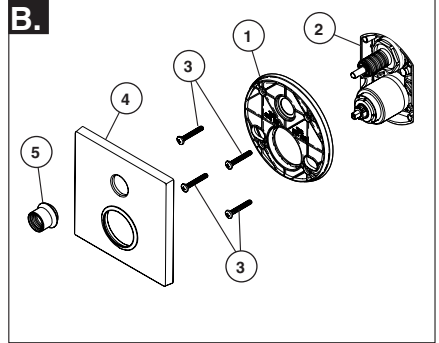
## 3 Trim Installation



### Trim Sleeve Installation

Slide trim sleeve (1) over the bonnet (2), cartridge and rough-in body.

Ensure sleeve is properly positioned over the front of cartridge.



### Escutcheon Installation

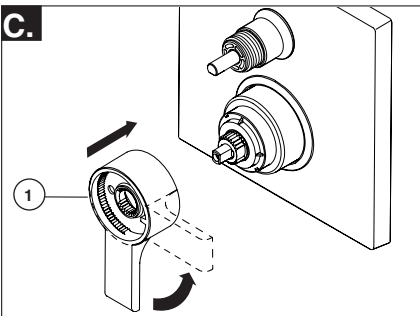
For finished wall thickness up to 1 1/8". Secure the backplate (1) to the rough-in body (2) using 4 screws (3) provided.

**Note: Be sure backplate is oriented front side forward and markings are visible.**

Slide escutcheon (4) over diverter cartridge, thread trim nut (5) provided onto diverter sleeve.

**Note: For thick wall installations, order installation kit RP90543 to support finished wall thickness up to 2 1/8".**

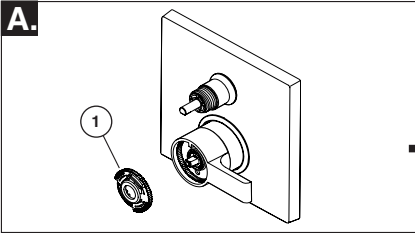
On rough or uneven surfaces it is necessary to apply caulk around the backplate (1) to supplement the seal. Do not caulk the drip notch in the bottom of the backplate (1). Do not caulk the escutcheon (4).



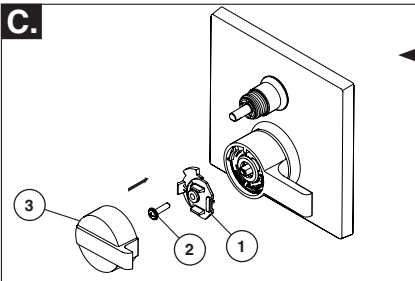
Install volume control handle (1) with lever pointing down, then turn to the on position.  
**DO NOT SECURE WITH SCREW.**

# Installation

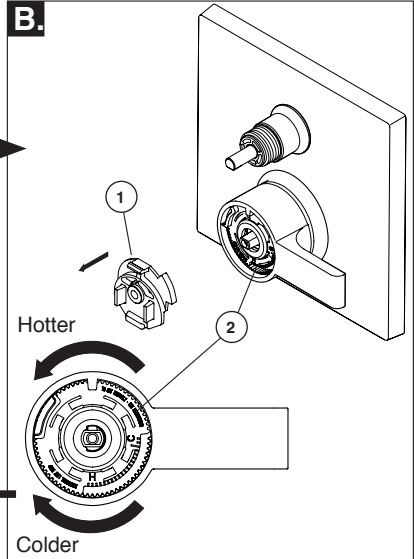
## 4 Installation and Adjustment of the Rotational Limit Stop



Place the temperature control knob (1) on volume handle and rotate to the mixed position (if required). **DO NOT SECURE WITH SCREW.** Turn on water supplies; let the water run until both hot and cold water is as hot/cold as possible. Place thermometer in a plastic tumbler, and hold the tumbler in the water stream. Record the temperature reading.



Secure temperature control knob (1) with screw (2). snap on temperature control cover (3) with side snaps onto knob (1).

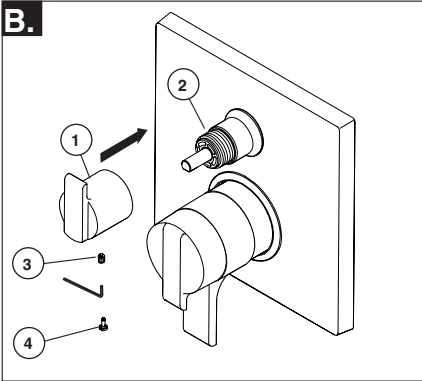


If the water temperature is above 120°F, remove the temperature control knob (1) and rotate the limit stop (2) clockwise one tooth for every 4°F - 6°F (approximate) change in temperature. If water temperature is cooler than desired, rotate the limit stop counterclockwise.

**IMPORTANT:** The first position of the Rotational Limit Stop (the Limiter) is that position that restricts the rotation of the stem the most and is at the maximum clockwise setting. According to industry standards, the maximum allowable temperature of the water exiting from the valve is 120°F. This temperature may vary in your local area. The Rotational Limit Stop may need to be readjusted if the inlet water temperature changes. For instance, during the winter, the cold water temperature is colder than it is during the summer which could result in varying outlet temperatures. Typical temperature for a comfortable bath or shower is between 90°–110° F.

**5** Potential scald or thermal shock injury could result due to cross flow if outlet at the shower is blocked or restricted (e.g., pause control on showerhead). Be sure to point showerhead away from you when re-starting flow or install inlet check valves on both supply lines to prevent possible injury.

## 6 Diverter handle Installation

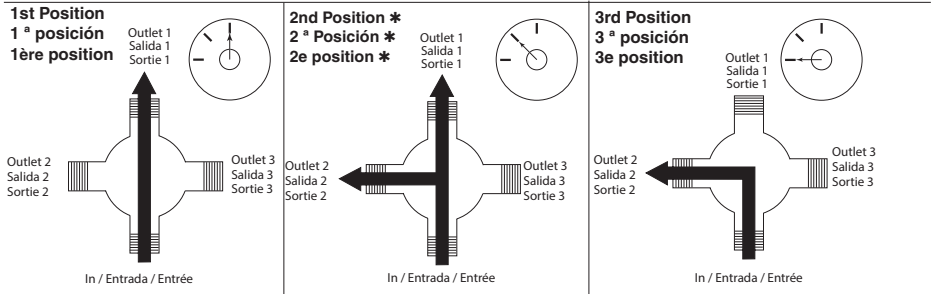


### Diverter Handle Installation

Slide diverter handle (1) onto trim sleeve (2).  
Using an allen wrench, insert set screw (3) into  
handle (1). Applying pressure, insert set screw  
cover (4) until properly seated.

# Diverter Handle Reference Sheet

## Water Flow For 3 Function Diverter / Flujo de agua para Desviadores de 3 posiciones / Écoulement de l'eau pour les inverseurs à 3 positions

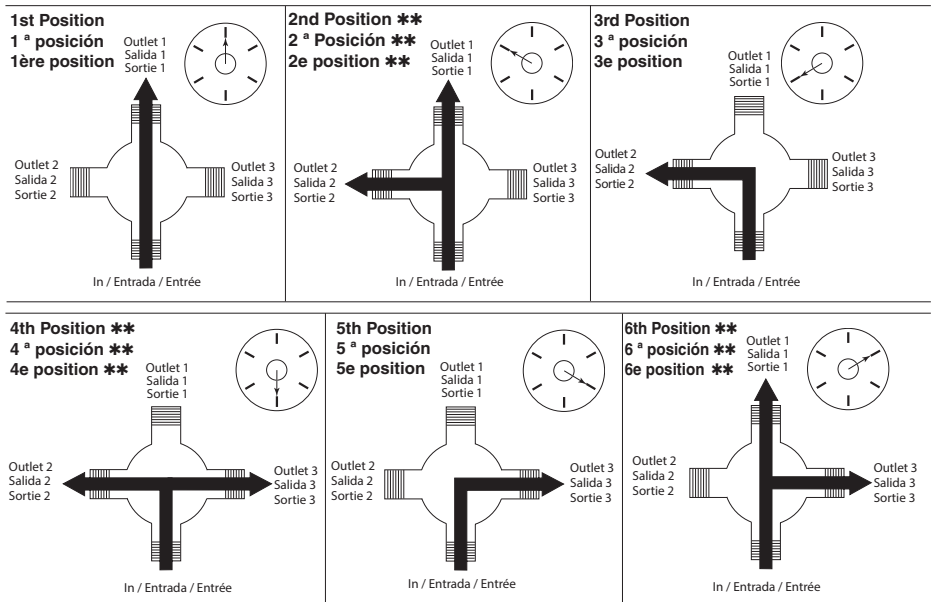


\* Shared positions do not exist in non-shared cartridges.

\* Los ajustes o posiciones compartidas no existen en los cartuchos no-compartidos.

\* Comme leur nom l'indique, les cartouches sans position partagée ne comportent aucune position partagée.

## Water Flow For 6 Function Diverter / Flujo de agua para Desviadores de 6 posiciones / Écoulement de l'eau pour les inverseurs à 6 positions



\*\* Shared positions do not exist in non-shared cartridges.

\*\* Los ajustes o posiciones compartidas no existen en los cartuchos no-compartidos.

\*\* Comme leur nom l'indique, les cartouches sans position partagée ne comportent aucune position partagée.

## Clean and Care

Care should be given to the cleaning of this product. Although its finish is extremely durable, it can be damaged by harsh abrasives or polish. To clean, simply wipe gently with a damp cloth and blot dry with a soft towel.

## Maintenance

### Faucet leaks from showerhead: SHUT OFF WATER SUPPLIES.

Replace valve cartridge  
RP46463 or RP32104

See Helpful Hints 1, 2, 3 & 4.

### Helpful Hints:

1. Before removing valve cartridge assembly for any maintenance, be sure to note the position of the rotational limit stop on the cap. The valve cartridge assembly must always be put back in the same position. **BE SAFE!** After you have finished the installation, turn on valve to make sure **COLD WATER FLOWS FIRST.**

2. To remove valve cartridge from body, shut off water supplies and remove handle and bonnet nut. Do not pry the valve cartridge out of the body with a screwdriver. Place handle on stem and rotate counterclockwise approximately 1/4 turn after the stop has been contacted. Lift valve cartridge out of body.

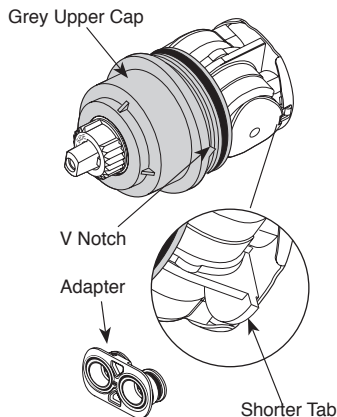
Remove seats and springs and replace.

Place the largest diameter of the spring into the seat pocket first and then press the tapered end of the seal over the spring. Reassemble valve cartridge and replace in body following instructions given in 1 above.

3. If the water in your area has lime, rust, sand or other contaminants in it, your pressure balance valve will require periodic inspection. The frequency of the inspection will depend on the amount of contaminants in the water. To inspect valve cartridge remove it and follow the steps in note 1 above. Turn the valve to the full mix position and shake the cartridge vigorously. If there is a rattling sound, the unit is functional and can be reinstalled following instructions given in note 1 above. If there is no rattle, replace the housing assembly with the proper RP.

## Cartridge Summary Reference Sheet

T27



**Order RP46463 to  
Replace Cartridge.**





# Instrucciones para la instalación del Accesorio de la Válvula MultiChoice® con desviador

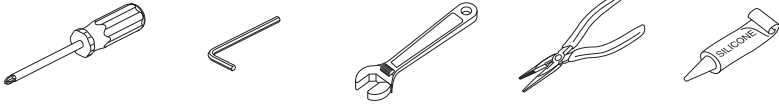
## Manual para propietarios

T27859, T27867, T27897,  
T27959, T27967 & T27997  
Serie

82667

Escriba el número del modelo aquí.

### Puede necesitar



### Tabla de contenido:

|   |               |
|---|---------------|
| Garantía .....  | Página 2      |
| Instrucciones de instalación .....  | Páginas 3 - 7 |
| Limpieza y cuidado .....  | Página 9      |
| Mantenimiento .....   | Página 9      |
| Hoja de referencia para el Cartucho .....   | Página 9      |
| Piezas de repuesto para la serie Classic .....  | Página 10-12  |
| <b>Para obtener piezas de repuesto adicionales, visite <a href="http://www.deltafaucet.com">www.deltafaucet.com</a></b> |               |

ESTA VALVULA cumple o excede las siguientes normas: ASME A112.18.1 / CSA B125.1 y ASSE 1016 (Tipo -P- o -T-).

**ADVERTENCIA:** Este sistema/dispositivo debe configurarse por el instalador para asegurar una temperatura máximo segura. Cualquier cambio en el ajuste puede aumentar la temperatura de salida por encima del límite considerado seguro y puede dar lugar a quemaduras por agua caliente.

**AVISO PARA EL INSTALADOR: ¡ATENCIÓN!** -Como el instalador de esta válvula, es su responsabilidad de **INSTALAR y AJUSTAR** correctamente esta válvula según las instrucciones proporcionadas. Esta válvula no se ajusta automáticamente a los cambios de temperatura de entrada, por lo tanto, alguien debe hacer los ajustes necesarios al Tope del Límite Rotacional en el momento de la instalación y ajustes adicionales pueden ser necesarios debido a cambios estacionales de la temperatura del agua. **USTED DEBE informar al propietario/usuario de este requisito siguiendo las instrucciones.** Si usted o el dueño/consumidor no está seguro de como hacer estos ajustes, **por favor consulte la página 7** y si aún tiene duda, llámenos al **1-800-345-DELTA**.

Después de la instalación y el ajuste, debe colocar su nombre, nombre de la empresa y la fecha en que ajustó la perilla de control de la temperatura a la etiqueta de precaución proporcionada y aplique o pegue la etiqueta en la parte trasera de la puerta del armario más cercano y la ~~etiqueta de advertencia al calentador de agua~~.

Deje esta hoja de instrucciones para referencia del propietario /usuario.

**ADVERTENCIA:** Esta válvula termostática de baño está diseñada para minimizar los efectos de los cambios de temperatura del agua de salida debido a cambios de presión y temperatura, causados habitualmente por los lavaplatos, las lavadoras, los inodoros y otros aparatos similares. Puede no ofrecer protección contra las quemaduras por agua caliente cuando hay un fallo de otros dispositivos para el control de temperatura en otras partes del sistema de plomería, si el Tope del Límite Rotacional no está configurado correctamente o si se cambia la temperatura del agua caliente después de realizar los ajustes o si el agua admisión cambia debido a los cambios estacionales.

**ADVERTENCIA:** No instale un dispositivo de cierre en cualquiera de las tuberías de salida de agua de esta válvula. Cuando este tipo de dispositivo cierra el flujo del agua, pueda aminorar el propósito de la válvula para balancear las presiones del agua caliente y fría.

## Garantía Limitada De Por Vida de la Llave y su Acabado

### Piezas y Acabado

Todas las piezas (menos las piezas electrónicas y las pilas) y acabados de esta Llave de agua – grifo Delta® están garantizados al consumidor comprador original, de estar libres de defectos en materiales y mano de obra durante el tiempo que el comprador original sea dueño de la casa en la cual la llave de agua fue instalada por primera vez o, **para los usuarios comerciales, por cinco (5) años desde la fecha de compra.**

### Piezas electrónicas y las baterías/pilas (si aplicable)

Las piezas electrónicas (excepto las baterías), sea el caso, de este grifo Delta® están garantizadas al consumidor comprador original, de estar libres de defectos en materiales y mano de obra durante 5 años desde la fecha de compra o, para los usuarios comerciales, durante un año desde la fecha de compra. La garantía no cubre las baterías.

Delta Faucet Company reparará o reemplazará, SIN COSTO ALGUNO, durante el período de garantía aplicable, cualquier pieza o acabado que presente defectos en materiales y/o mano de obra bajo instalación, uso y servicio normal. Si la reparación o sustitución no es práctica, Delta Faucet Company podrá optar reintegrarle el precio de la compra a cambio de la devolución del producto. **Estos son sus únicos recursos.**

Delta Faucet Company recomienda que use un plomero profesional para todas las instalaciones y reparación.

También recomienda que utilice sólo piezas de repuesto Delta®.

Delta Faucet Company no será responsable de cualquier daño a la llave de agua/grifo resultante del uso indebido, abuso, negligencia o uso inapropiado o instalación realizada de forma incorrecta, mantenimiento o reparación, incluyendo el no seguir las instrucciones de cuidado y limpieza aplicables.

Las piezas de repuesto se pueden obtener llamando al número que figura más abajo o escribiendo a:

### En los Estados Unidos y Mexico:

Delta Faucet Company  
Product Service  
55 E. 111th Street  
Indianapolis, IN 46280  
1-800-345-DELTA (3358)  
customerservice@deltafaucet.com

### En Canadá:

Masco Canada Limited, Plumbing Group  
Technical Service Centre  
350 South Edgeware Road  
St. Thomas, Ontario, Canada N5P 4L1  
1-800-345-DELTA (3358)  
customerservice@mascocanada.com

La prueba de compra (recibo original de venta) del comprador original debe ponerse a la disposición de Delta Faucet Company para todos los reclamos de garantía a menos que el comprador haya registrado el producto con Delta Faucet Company. Esta garantía se aplica solamente a las llaves de agua/grifos Delta® fabricadas después de 1 de enero de 1995 e instalados en los Estados Unidos de América, Canadá y México.

DELTA FAUCET COMPANY NO SERÁ RESPONSABLE POR DAÑOS ESPECIALES, INCIDENTALES O CONSECUENTES (INCLUYENDO CARGOS DE LABOR) YA SEAN RESULTANTES DEL INCUMPLIMIENTO DE CUALQUIER GARANTÍA EXPRESA O IMPLÍCITA DE LA LLAVE DE AGUA/GRIFO. Algunos estados/provincias no permiten la exclusión o limitación de daños especiales, incidentales o consecuentes, por lo que estas limitaciones y exclusiones pueden no aplicarle en su caso.

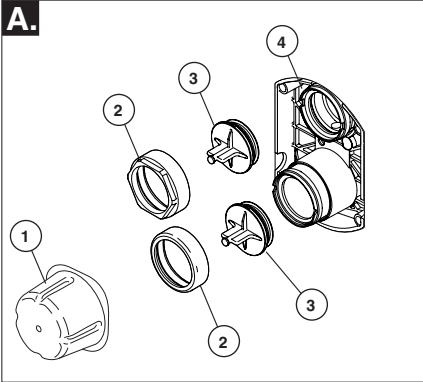
Esta garantía le otorga derechos legales especiales, y usted también puede tener otros derechos que varían de estado/provincia a estado/provincia.

Esta es la garantía exclusiva por escrito de Delta Faucet Company, y la garantía no es transferible.

Si usted tiene alguna pregunta o inquietud acerca de nuestra garantía, por favor vea nuestra sección de Preguntas Frecuentes sobre la garantía en [www.deltafaucet.com](http://www.deltafaucet.com).



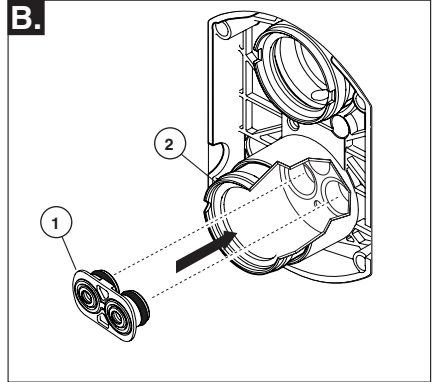
## 1 Instalación del cartucho



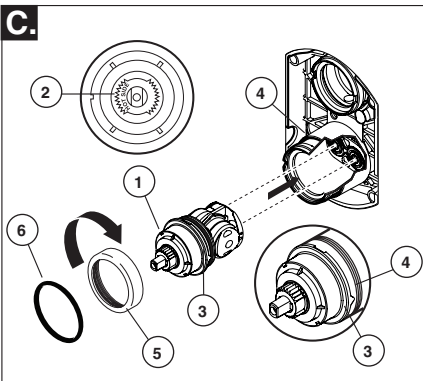
**Cierre los suministros de agua.** Quite la tapa (1), tuercas tapas (2) y las tapas de prueba (3) del cuerpo de la tubería preliminar detrás de la pared (4).

Coloque una cubeta o recipiente pequeño sobre el frente del cuerpo de la válvula y abra lentamente los suministros de agua para eliminar cualquier residuo de las líneas de suministro antes de instalar el cartucho.

Cierre otra vez el agua de suministro.



Introduzca el ensamble del adaptador (1) en el cuerpo de la tubería preliminar interna (2). Asegúrese de que el ensamble del adaptador está colocado correctamente y está presionado hasta el fondo dentro del cuerpo preliminar.

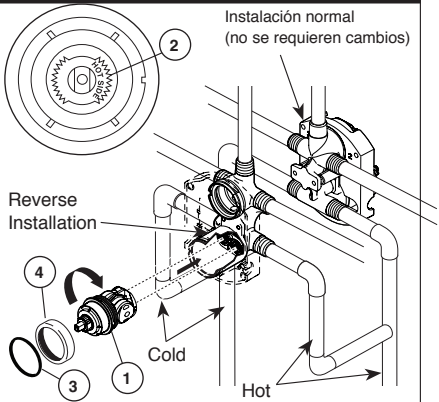


Gire el cartucho de la válvula (1) de forma que las palabras "HOT SIDE" estén en el lado izquierdo.

Inserte el cartucho en el cuerpo de la tubería preliminar. Asegúrese de que el dentado en el cuerpo está totalmente encajado en la muesca en el cuerpo de bronce (4). Introduzca la tuerca tapa (5) en el cartucho y enrosque en el cuerpo. Apriete bien, a mano y deslice la junta tórica (6) en el casquete y el cartucho.

La aplicación de una ligera capa de grasa de plomeros en las juntas tóricas puede facilitar el montaje.

### Instalación de dorso con dorso.



Solo para las excepciones de dorso con dorso o instalaciones inversas (caliente en la derecha y fría en la izquierda):

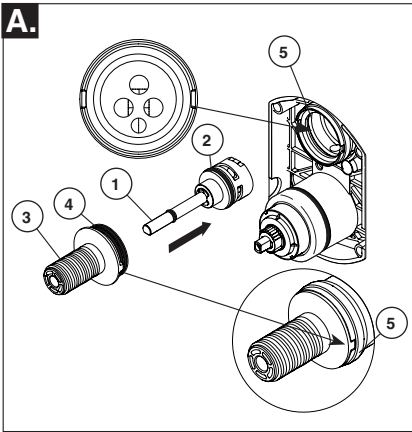
Gire el cartucho de la válvula (1) de forma que "HOT SIDE" aparezca en la derecha.

Aplique lubricante de silicona en las tres juntas tóricas mostradas arriba para facilitar la instalación del cartucho y quitar del cuerpo de la tubería preliminar.

Instale el cartucho asegurándose de que los dentados están totalmente encajados en la ranura en el cuerpo de la tubería preliminar (véase el paso C).

Deslice la junta tórica (3) y la tuerca tapa (4) sobre el cartucho y enrosque en el cuerpo de la tubería preliminar. Apriete con la mano de forma segura.

## 2 Instalación del cartucho de desvío

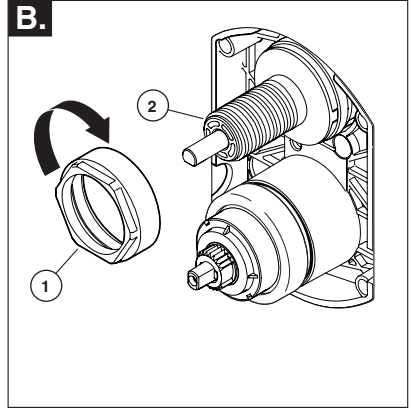


### PARA LA INSTALACIÓN DEL CARTUCHO DE DESVÍO:

Aplique lubricante de silicona a la junta tórica (2) para facilitar la instalación del cartucho desviador con el casquillo desviador (3). La aplicación de una ligera capa de grasa de plomeros a las juntas tóricas (4) puede facilitar el montaje.

Gire el cartucho desviador (1) asegurando que el pasador de posicionamiento que está en la parte inferior del cartucho se alinee con el agujero correspondiente en el cuerpo de la tubería preliminar.

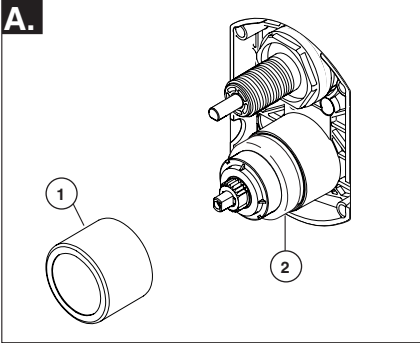
Deslice el casquillo desviador (3) sobre la espiga del cartucho alineando las lengüetas en el casquillo desviador con ranuras en el cuerpo de la tubería preliminar (5).



### Para la instalación del casquete

Deslice la tuerca tapa (1) sobre el casquillo desviador (2) y enrosque en el cuerpo de la tubería preliminar. Apriete a mano de forma segura.

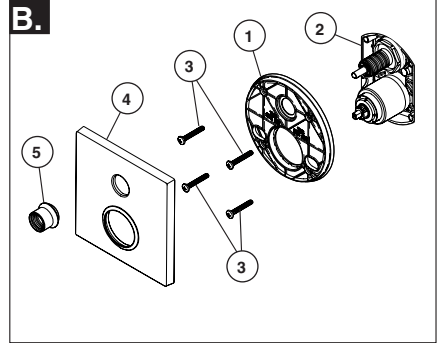
## 3 Instalación del accesorio



### Instalación del casquillo del accesorio

Deslice el casquillo del accesorio (1) sobre el casquete (2), el cartucho y el cuerpo de la tubería preliminar.

Asegúrese que el casquillo está correctamente colocado sobre el frente del cartucho.



### Instalación del chapetón

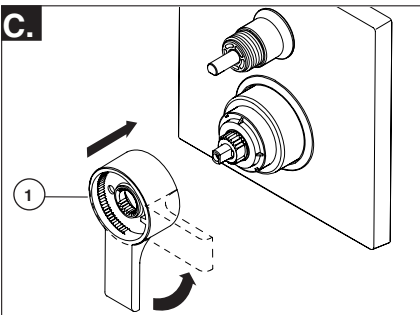
Para paredes acabadas de un grosor hasta 1 1/8". Fije la placa posterior (1) al cuerpo de la unidad de las tuberías preliminares (2) usando los 4 tornillos (3) proporcionados.

**Nota: asegúrese que la placa trasera está colocada con el frente hacia adelante y con las marcas visibles.**

Deslice el chapetón o chapa de cubierta (4) sobre el cartucho desviador, enrosque la tuerca del accesorio (5) proporcionada en el casquillo del desviador.

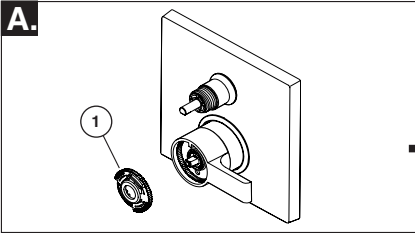
**Nota: para instalaciones en paredes gruesas, ordene el juego de piezas RP90543 para sostener la pared acabada hasta de 2 1/8" de grosor.**

En superficies rugosas o desiguales, es necesario aplicar masilla alrededor de la placa posterior (1) para complementar el sello. No calafatee el chapetón (4).

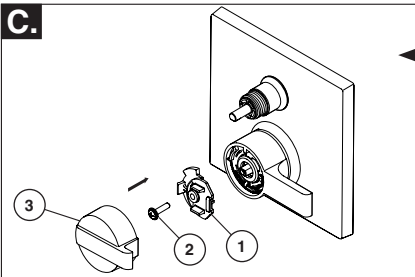


Instale la manija para el control de; volumen (1) con la palanca hacia abajo, luego gire a la posición abierta. **NO FIJE CON EL TORNILLO.**

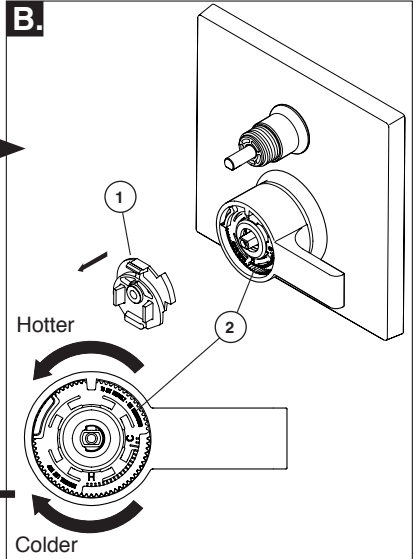
## 4 Instalación y ajuste del tope del límite rotacional



Coloque la perilla para el control de temperatura (1) en la palanca de volumen y gire a la posición mixta (si es necesario). **NO FIJE CON EL TORNILLO.** Abra los suministros de agua; deje que el agua fluya hasta que esté lo más caliente/fría posible. Coloque un termómetro en un vaso plástico, y sostenga el vaso bajo el chorro de agua. Registre la lectura de la temperatura.



Fije la perilla para el control de la temperatura (1) con el tornillo (2). Coloque la cubierta del control de temperatura a presión (3) con el lado que se enganche en la perilla (1).



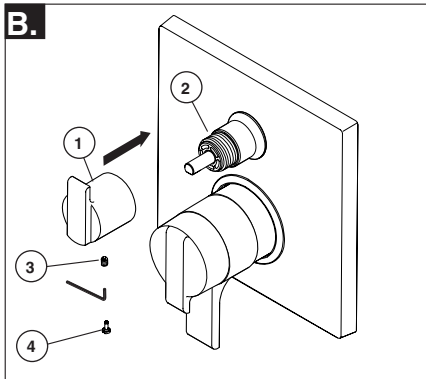
Si la temperatura del agua está por encima de 120° F, retire la perilla para el control de temperatura (1) y gire el tope (2) un diente hacia la derecha por cada 4° F - 6° F (aproximadamente) cambio en la temperatura. Si la temperatura del agua es más fría que lo deseada, gire el tope hacia la izquierda.

**IMPORTANTE:** La primera posición del Tope del Límite Rotacional (el limitador) es la posición que más restringe la rotación e la espiga y está en el ajuste máximo hacia la derecha. De acuerdo con los estándares de la industria, la temperatura máxima permisible del agua que sale de la válvula es 120° F. Esta temperatura puede variar en su área local.

El Tope del Límite Rotacional puede requerir reajuste si cambia la temperatura del agua de entrada. Por ejemplo, durante el invierno, la temperatura del agua fría es más fría de lo que es durante el verano que podría resultar en una variación de temperaturas de salida. La temperatura típica para un baño o una ducha confortable es entre 90o-110o F.

**5** Existe la posibilidad de lesión por escaldadura o de choque térmico resultante de un flujo cruzado en el caso que la salida de la regadera/ducha está bloqueada o restringida (por ejemplo, pause el control de la cabeza de la regadera/ducha). Asegúrese de apuntar la regadera/ducha alejado de usted cuando vuelva a iniciar el flujo o instale las válvulas de retención de la entrada en ambas líneas de suministro para evitar posibles lesiones.

## 6 Instalación del desviador de la manija

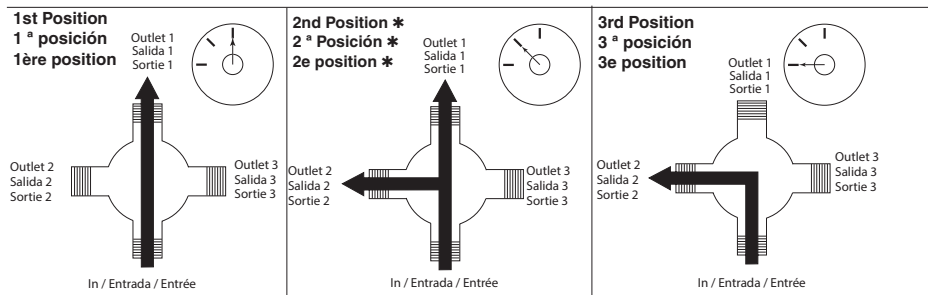


### Instalación del desviador de la manija

Inserte la manija del desviador (1) sobre el casquillo del accesorio (2). Usando una llave allen, inserte el tornillo de fijación/ajuste (3) en la manija (1). Aplicando presión, inserte la tapa del tornillo de ajuste (4) hasta que esté bien asentada.

# Hoja de referencia para la manija desviadora

## Water Flow For 3 Function Diverter / Flujo de agua para Desviadores de 3 posiciones / Écoulement de l'eau pour les inverseurs à 3 positions

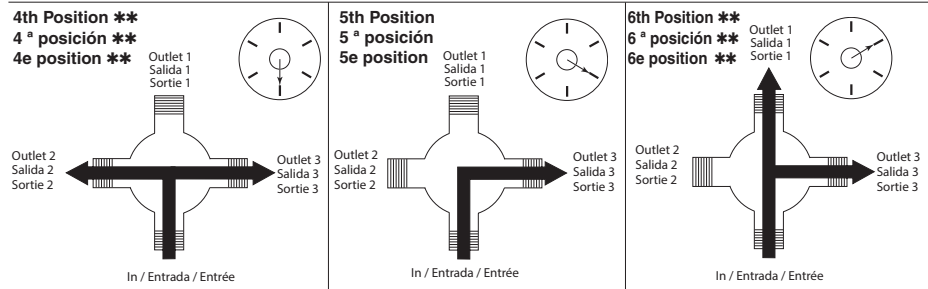
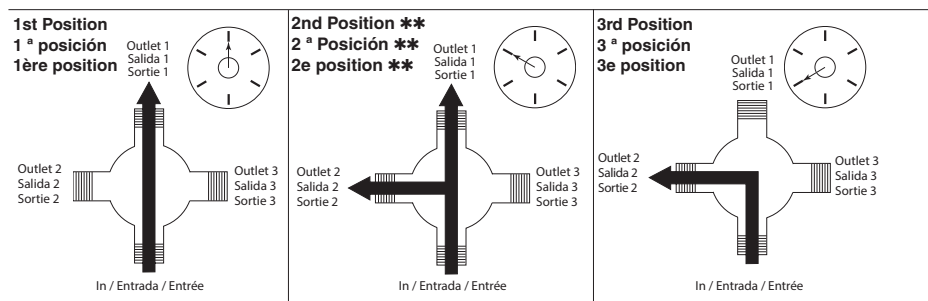


\* Shared positions do not exist in non-shared cartridges.

\* Los ajustes o posiciones compartidas no existen en los cartuchos no-compartidos.

\* Comme leur nom l'indique, les cartouches sans position partagée ne comportent aucune position partagée.

## Water Flow For 6 Function Diverter / Flujo de agua para Desviadores de 6 posiciones / Écoulement de l'eau pour les inverseurs à 6 positions



\*\* Shared positions do not exist in non-shared cartridges.

\*\* Los ajustes o posiciones compartidas no existen en los cartuchos no-compartidos.

\*\* Comme leur nom l'indique, les cartouches sans position partagée ne comportent aucune position partagée.

# Limpieza y Cuidado

Se debe tener cuidado con la limpieza de este producto. Aunque su acabado es extremadamente resistente, puede ser dañado por abrasivos o pulimentos ásperos. Para limpiar, simplemente frote con un paño húmedo y seque con una toalla suave.

# Mantenimiento

## Si hay filtración de agua desde la llave de agua/grifo de la regadera:

CIERRE LOS SUMINISTROS DE AGUA. Reemplace la válvula de cartucho o RP46463 RP32104  
Vea Consejos útiles 1, 2, 3 y 4

### Sugerencias útiles:

1. Antes de retirar el ensamble del cartucho de la válvula para cualquier tarea de mantenimiento, asegúrese de anotar la posición del tope de rotación en la tapa. El ensamble del cartucho de la válvula siempre debe ser puesto de nuevo en la misma posición. ¡CUIDESE! Después de que haya terminado la instalación, abra la válvula para asegurarse de que el agua FLUYE FRÍA PRIMERO.

2. Para extraer el cartucho de la válvula del cuerpo, cierre el suministro de agua y retire la manija y la tuerca tapa. No se debe quitar el cartucho de la válvula del cuerpo con un destornillador. Coloque la manija en la espiga y gire hacia la izquierda aproximadamente 1/4 de vuelta después que el tope tenga contacto. Levante el cartucho de la válvula del cuerpo.

Retire los asientos y resortes y reemplácelos.

Primero, coloque el diámetro mayor del resorte en el bolsillo del asiento y luego presione el extremo cónico de la junta sobre el resorte. Vuelva a ensamblar el cartucho de la válvula y colóquelo de nuevo en el cuerpo, siguiendo las instrucciones dadas en el punto 1.

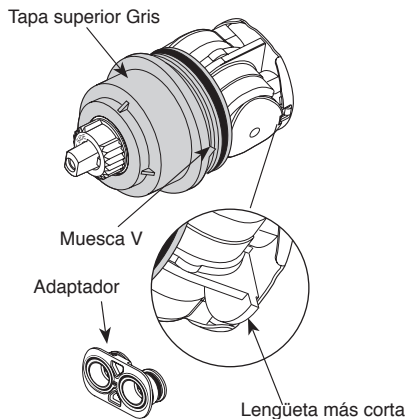
3. Si el agua en su área contiene cal, óxido, arena u otros contaminantes, su válvula de equilibrio de presión requerirá una inspección periódica.

La frecuencia de la inspección dependerá de la cantidad de contaminantes en el agua. Para inspeccionar el cartucho de la válvula y quitarla y siga los pasos indicados en la nota 1 anterior. Gire la válvula a la posición de mezcla completa y agite el cartucho con fuerza.

Si hay un sonido de traqueteo, la unidad es funcional y se puede volver a instalar siguiendo las instrucciones dadas en la nota 1 anterior. Si no hay traqueteo, reemplace el conjunto de la cubierta con la pieza de repuesto/RP adecuada.

## Hoja de resumen de referencia para el cartucho

T27



**Ordene RP46463 para Reemplazar cartucho.**



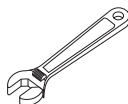
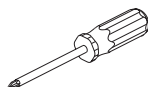


## Manuel d'utilisation

T27859, T27867, T27897,  
T27959, T27967 & T27997  
Series

Inscrivez le numéro du modèle acheté  
ici.

### Ce dont vous pouvez avoir besoin



### Table des matières:

|   |             |
|---|-------------|
| Garanties .....                                   | Page 2      |
| Instructions d'installation .....                 | Pages 3 - 7 |
| Nettoyage et entretien .....                      | Page 9      |
| Maintenance .....                                 | Page 9      |
| Fiche de référence sommaire de la cartouche ..... | Page 9      |
| Pièces de rechange de la série Classic .....      | Page 10-12  |

Pour obtenir de l'information sur d'autres pièces de rechange, visitez : [www.deltafaucet.com](http://www.deltafaucet.com)

**CETTE SOUPAPE RESPECTE OU SURPASSE LES NORMES SUIVANTES : ASME A112.18.1/ CSA B125.1 et ASSE 1016 (Type -P- ou -T-).**

**ATTENTION:** Ce système ou cet appareil doit être réglé par l'installateur pour que sa température maximale soit sans danger. Tout changement du réglage peut entraîner une hausse de température au delà de la limite considérée sécuritaire et occasionner l'ébullition.

**AVIS À L'INSTALLATEUR: ATTENTION!** - En qualité d'installateur de cette soupape, vous avez la responsabilité de L'INSTALLER et de la RÉGLER correctement selon les instructions fournies. Cette soupape ne s'adapte pas automatiquement aux fluctuations de la température de l'eau d'alimentation. Par conséquent, il faut régler la butée de température maximale au moment de l'installation et il peut être nécessaire de faire de nouveaux réglages par la suite en raison des fluctuations saisonnières de la température de l'eau. **VOUS DEVEZ informer le propriétaire ou l'utilisateur de cette exigence.** En cas de doute quant à la marche à suivre pour faire ces réglages, **veuillez consulter la page 7.** Si vous avez encore des doutes, veuillez appeler au 1-800-345-DELTA.

Après avoir terminé l'installation et le réglage, vous devez inscrire, sur l'étiquette de mise en garde fournie, votre nom, le nom de votre entreprise et la date à laquelle vous avez réglé la butée de température maximale, puis fixer l'étiquette à l'endos de la porte de la coiffeuse. Vous devez également fixer l'étiquette d'avertissement au chauffe-eau.

Veuillez laisser ce feuillet d'instructions au propriétaire ou à l'utilisateur pour qu'il puisse le consulter au besoin.

**MISE EN GARDE** – Ce robinet thermostatique à équilibrage de pression pour baignoire est conçu pour limiter les effets des fluctuations de température de l'eau causées par les variations de la pression d'alimentation attribuables au fonctionnement d'un lave-vaisselle, d'une machine à laver, d'un cabinet d'aisances ou d'un autre appareil qui consomme de l'eau. Il peut ne pas protéger l'utilisateur contre l'échaudage en cas de défectuosité d'un autre dispositif de régulation de la température, de réglage erroné de la butée de température maximale, de modification de la température de l'eau chaude après le réglage de la butée de température maximale ou de fluctuation saisonnière de la température de l'eau d'alimentation.

**MISE EN GARDE** – N'installez pas de dispositif d'arrêt sur une sortie quelconque de cette soupape. En interrompant l'écoulement de l'eau, ce dispositif peut empêcher la soupape d'équilibrer les pressions d'eau chaude et d'eau froide.

## Garantie à vie sur le robinet et garantie limitée sur le fini

### Pièces et finis

Toutes les pièces (à l'exception des composants électroniques et des piles) et tous les finis de ce robinet Delta® sont protégés contre les défauts du matériau et les vices de fabrication par une garantie qui est consentie au premier acheteur et qui demeure valide tant que celui-ci demeure propriétaire de la maison dans laquelle le robinet a été installé. Dans le cas d'une utilisation commerciale, la garantie est de **5 ans à compter de la date d'achat**.

### Composants électroniques et piles (le cas échéant)

Si ce robinet Delta® comporte des composants électroniques, ces composants (à l'exception des piles) sont protégés contre les défauts du matériau et les vices de fabrication par une garantie consentie au premier acheteur qui est d'une durée de 5 ans à compter de la date d'achat. Dans le cas d'une utilisation commerciale, la garantie est d'un an à compter de la date d'achat. Aucune garantie ne couvre les piles.

Delta Faucet Company remplacera, GRATUITEMENT, pendant la période de garantie applicable, toute pièce ou tout fini qui présentera une déficience du matériau et/ou un vice de fabrication pour autant que le robinet ait été installé, utilisé et entretenu normalement. S'il est impossible de réparer ou de remplacer le robinet, Delta Faucet Company pourra décider de rembourser le prix d'achat du produit pour autant que celui-ci lui soit retourné. **Il s'agit de vos seuls recours.**

Delta Faucet Company recommande de confier l'installation et la réparation à un plombier professionnel. Nous vous recommandons également d'utiliser uniquement des pièces de rechange authentiques Delta®.

Delta Faucet Company se dégage de toute responsabilité à l'égard des dommages causés au robinet en raison d'un mauvais usage, d'un usage abusif, de la négligence ou de l'utilisation d'une méthode d'installation, de maintenance ou de réparation incorrecte ou inadéquate, y compris les dommages résultant du non-respect des instructions de nettoyage et d'entretien applicables.

Pour obtenir des pièces de rechange, veuillez appeler au numéro applicable ci-dessous ou écrire à l'adresse applicable ci-dessous:

### Aux États-Unis et au Mexique:

Delta Faucet Company  
Product Service  
55 E. 111th Street  
Indianapolis, IN 46280  
1-800-345-DELTA (3358)  
customerservice@deltafaucet.com

### Au Canada:

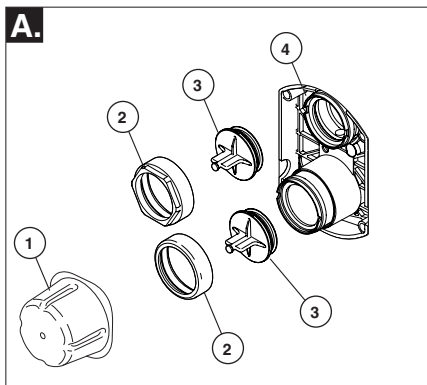
Masco Canada Limited, Groupe plomberie  
Centre de services techniques  
350 South Edgeware Road  
St. Thomas, Ontario, Canada N5P 4L1  
1-800-345-DELTA (3358)  
customerservice@mascocanada.com

La preuve d'achat (reçu original) du premier acheteur doit être présentée à Delta Faucet Company pour toutes les demandes en vertu de la garantie, sauf si le produit a été enregistré auprès de Delta Faucet Company. La présente garantie s'applique uniquement aux robinets Delta ® fabriqués après le 1er janvier 1995 et installés aux États-Unis d'Amérique, au Canada et au Mexique.

**DELTA FAUCET COMPANY SE DÉGAGE DE TOUTE RESPONSABILITÉ À L'ÉGARD DES DOMMAGES PARTICULIERS, CONSÉCUTIFS OU INDIRECTS (Y COMPRIS LES FRAIS DE MAIN-D'OEUVRE) QUI POURRAIENT RÉSULTER DE LA VIOLATION D'UNE GARANTIE IMPLICITE OU EXPLICITE QUELCONQUE SUR LE ROBINET.** Dans les États ou les provinces où il est interdit de limiter ou d'exclure la responsabilité à l'égard des dommages particuliers, consécutifs ou indirects, les limites et les exclusions susmentionnées ne s'appliquent pas. La présente garantie vous donne des droits précis qui peuvent varier selon l'État ou la province où vous résidez.

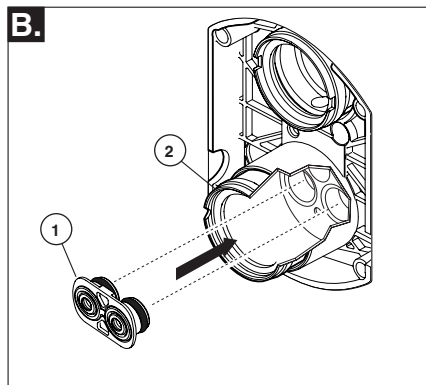
La présente garantie écrite est la garantie exclusive offerte par Delta Faucet Company et elle n'est pas transférable. Si vous avez des questions ou des préoccupations en ce qui concerne notre garantie, veuillez consulter la page Warranty FAQs à [www.deltafaucet.com](http://www.deltafaucet.com), faire parvenir un courriel à [customerservice@deltafaucet.com](mailto:customerservice@deltafaucet.com) ou nous appeler au numéro applicable.

## 1 Installation de la cartouche

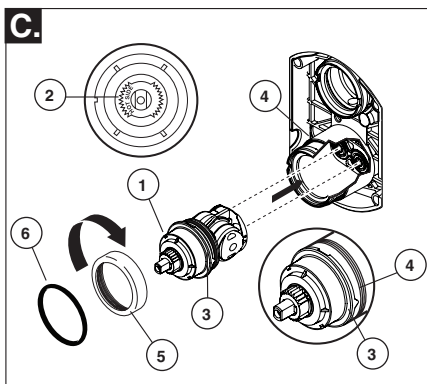


**Fermez les robinets d'alimentation.** Retirez le capuchon (1), les écrous-chapeaux (2) et les capuchons d'essai (3) du corps de robinetterie brute (4).

Placez un seau ou un petit contenant sur l'avant du corps de soupape et ouvrez lentement les robinets d'arrêt pour évacuer les corps étrangers de la tuyauterie avant d'installer la cartouche. Fermez de nouveau les robinets d'arrêt.

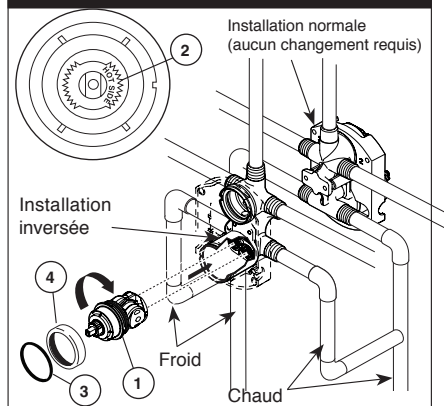


Introduisez l'adaptateur (1) dans le corps de robinetterie brute (2). Assurez-vous que l'adaptateur est positionné correctement et bien calé dans le corps de robinet brut.



Tournez la cartouche (1) de sorte que la mention « HOT SIDE » (2) se trouve du côté gauche. Introduisez la cartouche dans le corps de robinetterie brute. Assurez-vous que l'ergot (3) sur la cartouche est parfaitement engagé dans la rainure du corps en laiton (4). Insérez l'écrou-chapeau (5) sur la cartouche et vissez-le sur le corps. Serrez-le à la main solidement, glissez le joint torique (6) sur l'écrou-chapeau et la cartouche. Vous pouvez enduire les joints toriques d'un peu de graisse de plomberie pour faciliter l'assemblage.

### Installation dos à dos

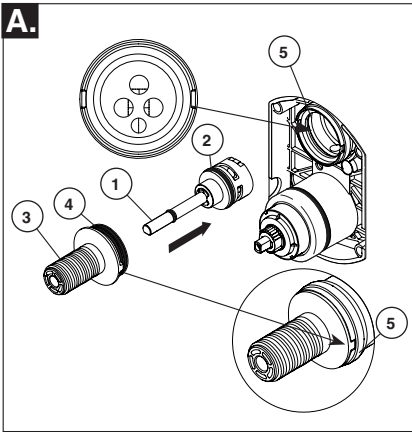


Dans le cas d'une installation dos à dos (eau chaude à droite et eau froide à gauche) seulement : tournez la cartouche (1) de sorte que la mention « HOT SIDE » se trouve du côté droit.

Ajoutez du lubrifiant à base de silicone aux trois joints toriques montrés ci-dessus pour faciliter la pose de la cartouche dans le corps de robinetterie brute et sa dépose. Installez la cartouche en prenant soin d'introduire les ergots entièrement dans les rainures du corps de robinetterie brute (reportez-vous à l'étape C).

Glissez le joint torique (3) et l'écrou-chapeau (4) sur la cartouche et vissez-le sur le corps de robinet brut. Serrez-le à la main solidement.

## 2 Installation de la cartouche de l'inverseur

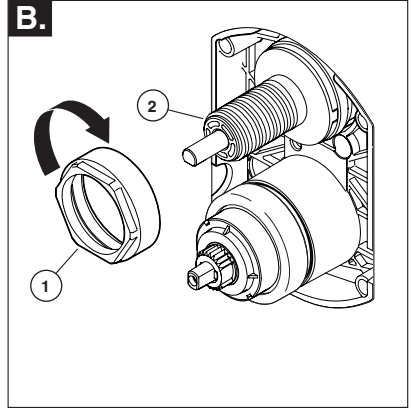


### INSTALLATION DE LA CARTOUCHE DE L'INVERSEUR

Ajoutez du lubrifiant à base de silicone au joint torique (2) pour faciliter la pose du manchon de l'inverseur (3) et la cartouche de l'inverseur. Vous pouvez enduire les joints toriques (4) d'un peu de graisse de plomberie pour faciliter l'assemblage.

Installez la cartouche d'inverseur (1) en prenant soin de faire correspondre l'ergot de détrompage au bas de la cartouche avec le trou dans le corps de robinet brut.

Glissez le manchon de l'inverseur (3) sur la tige de la cartouche en faisant correspondre les pattes du manchon de l'inverseur avec les rainures dans le corps de robinetterie brute (5).

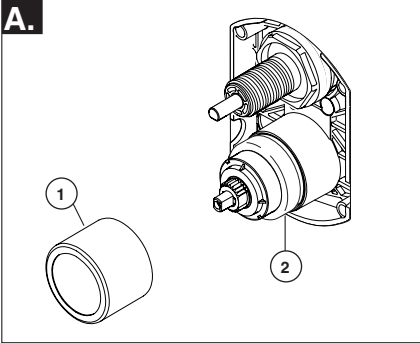


### Installation du chapeau

Glissez l'écrou-chapeau (1) sur le manchon de l'inverseur (2) et vissez-le sur le corps de robinetterie brute.

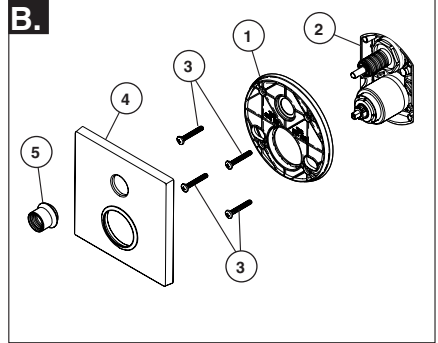
Serrez-le à la main solidement.

## 3 Installation de la pièce de finition



### Installation du manchon de finition

Glissez le manchon de finition (1) sur le chapeau (2), la cartouche et le corps de robinetterie brute. Assurez-vous que le manchon est bien positionné sur l'avant de la cartouche.



### Installation de la plaque de finition

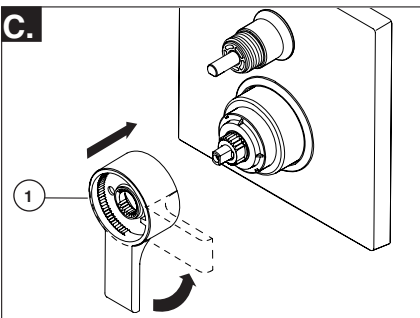
Installation dans un mur fini d'une épaisseur maximale de 1 1/8 po. Fixez la plaque arrière (1) au corps de robinetterie brute (2) au moyen des quatre vis (3) fournies.

**Note :** Assurez-vous que la face avant de la plaque arrière est orientée vers l'avant et que les repères sont visibles.

Glissez la plaque de finition (4) sur la cartouche de l'inverseur, puis vissez l'écrou de finition (5) fourni sur le manchon de l'inverseur.

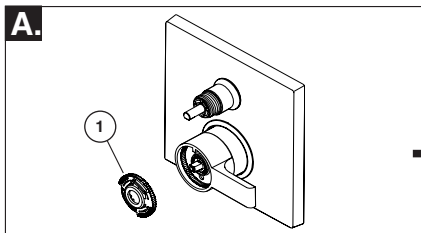
**Note :** Si vous faites l'installation dans un mur épais, commandez la trousse d'installation RP90543 pour un mur fini d'une épaisseur maximale de 2 1/8 po.

Sur les surfaces raboteuses ou inégales, vous devez appliquer du composé d'étanchéité autour de la plaque arrière (1) pour épaissir le joint. N'appliquez pas de composé d'étanchéité dans l'encoche d'égouttement au bas de la plaque arrière (1) ni autour de la plaque de finition (4).

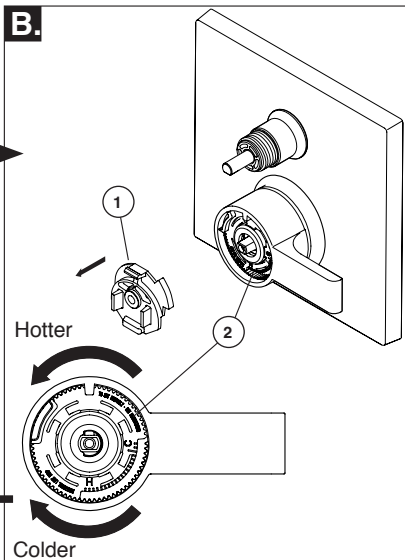


Installez la manette de réglage de débit (1) de manière qu'elle pointe vers le bas, puis placez-la en position d'ouverture. NE LA FIXEZ PAS AVEC UNE VIS.

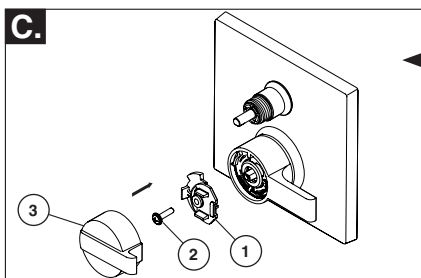
## 4 Installation et réglage de la butée de température maximale



Placez le bouton de réglage de température (1) sur la manette de réglage de débit et tournez-le jusqu'à la position de mélange (au besoin). **NE LE FIXEZ PAS AVEC LA VIS.** Rétablissez l'alimentation en eau. Laissez couler l'eau jusqu'à ce que l'eau froide soit aussi froide que possible et que l'eau chaude soit aussi chaude que possible. Mettez un thermomètre dans un gobelet en plastique, puis placez le gobelet sous le jet d'eau et attendez un peu. Notez la température de l'eau.



Si la température de l'eau est supérieure à 120 °F, retirez le bouton de réglage de température (1) et tournez la butée de température maximale (2) dans le sens horaire. La variation de température est d'environ 4 à 6 °F par cran. Si l'eau n'est plus assez chaude, tournez la butée de température maximale dans le sens antihoraire.



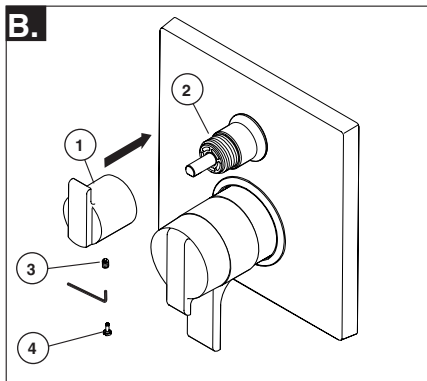
Fixez le bouton de réglage de température (1) avec la vis (2) et, en poussant fermement sur celui-ci, caliez le couvercle (3) sur le bouton (1).

**IMPORTANT:** La première position de la butée de température maximale est celle qui limite le plus la rotation de la tige; elle se trouve à l'extrémité de la plage dans le sens horaire. Selon les normes de l'industrie, la température maximale de l'eau à la sortie de la soupape ne doit pas dépasser 120 °F. La température peut varier selon la région.

Le réglage de la butée de température maximale peut être modifié si la température de l'eau d'alimentation a changé. À titre d'exemple, la température de l'eau froide est plus basse en hiver, ce qui influence la température de l'eau à la sortie de la soupape. La température idéale de l'eau pour un bain ou une douche se situe entre 90 et 110 °F.

**5** Possibilité d'ébullition ou de choc thermique pouvant causer des lésions en raison d'une inversion de la circulation de l'eau si la sortie de la douche est bloquée ou limitée (p. ex. : circulation bloquée par la commande d'arrêt sur la pomme de douche). Avant d'ouvrir le robinet, déplacez la pomme de douche pour ne pas vous faire arroser. Vous pouvez également installer des clapets de non-retour sur les deux tuyaux d'alimentation en eau pour éliminer les risques de blessures.

## 6 Installation de la manette de l'inverseur

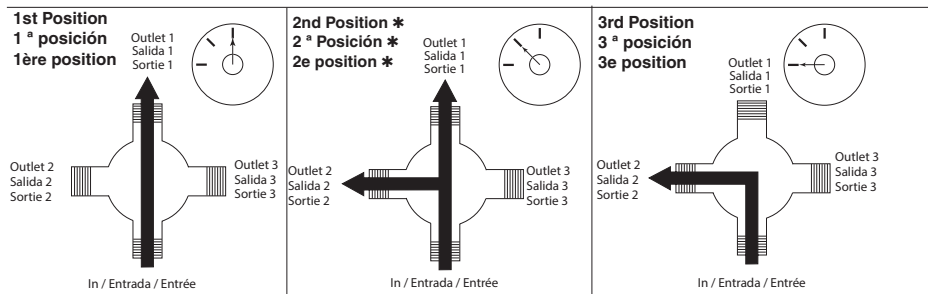


### Installation de la manette de l'inverseur

Glissez la manette de l'inverseur (1) sur le manchon de finition (2). Au moyen d'une clé Allen, insérez la vis de calage (3) dans la manette (1). En exerçant une pression, insérez le capuchon de la vis de calage (4) jusqu'à ce qu'il soit bien calé.

# Fiche de référence de la manette de l'inverseur

## Water Flow For 3 Function Diverter / Flujo de agua para Desviadores de 3 posiciones / Écoulement de l'eau pour les inverseurs à 3 positions

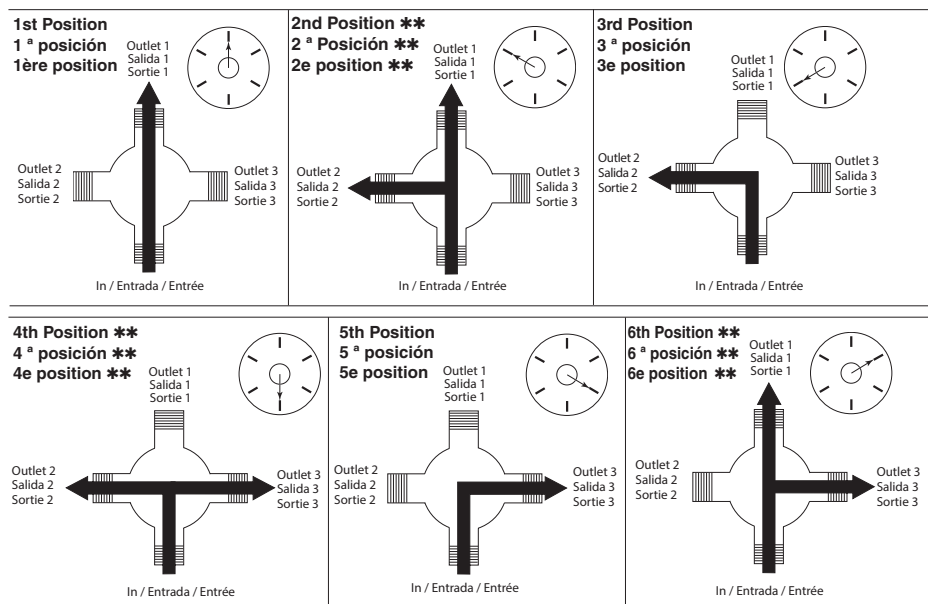


\* Shared positions do not exist in non-shared cartridges.

\* Los ajustes o posiciones compartidas no existen en los cartuchos no-compartidos.

\* Comme leur nom l'indique, les cartouches sans position partagée ne comportent aucune position partagée.

## Water Flow For 6 Function Diverter / Flujo de agua para Desviadores de 6 posiciones / Écoulement de l'eau pour les inverseurs à 6 positions



\*\* Shared positions do not exist in non-shared cartridges.

\*\* Los ajustes o posiciones compartidas no existen en los cartuchos no-compartidos.

\*\* Comme leur nom l'indique, les cartouches sans position partagée ne comportent aucune position partagée.



## Nettoyage et entretien

Ce produit doit être nettoyé avec soin. Bien que le fini soit extrêmement durable, il peut être abîmé par des agents de polissage puissants ou des nettoyants fortement abrasifs. Pour le nettoyer, il suffit de le frotter doucement avec un chiffon humide, puis de l'éponger avec une serviette douce.

## Maintenance

### Fuite du robinet par la pomme de douche:

**FERMEZ LES ROBINETS D'ALIMENTATION.**

Remplacez la cartouche de soupape RP46463 ou RP32104

Reportez-vous aux conseils utiles 1, 2, 3 et 4.

### Conseils utiles:

1. Avant d'enlever la cartouche de la soupape aux fins d'entretien, prenez note de la position de la butée de température maximale sur le chapeau. La cartouche de la soupape doit toujours être replacée au même endroit. **PENSEZ SÉCURITÉ!** Après avoir terminé l'installation, ouvrez la soupape pour vous assurer que de L'EAU FROIDE S'ÉCOULE EN PREMIER.

2. Pour retirer la cartouche du corps, fermez les robinets d'alimentation et enlevez la manette ainsi que l'écrou-chapeau. Ne tentez pas d'extraire la cartouche en faisant levier avec un tournevis. Placez la manette sur la tige et tournez-la d'environ  $\frac{1}{4}$  de tour dans le sens inverse à celui des aiguilles d'une montre après avoir atteint la butée. Soulevez la cartouche pour la retirer du corps.

Enlevez les sièges et les ressorts et remplacez-les.

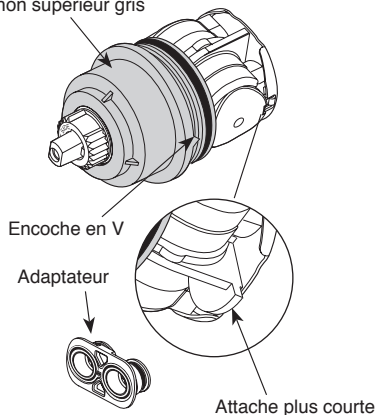
Placez la partie du ressort au diamètre le plus large dans la poche du siège, puis pressez l'extrémité conique de la garniture d'étanchéité sur le ressort. Réassemblez la cartouche de la soupape et remplacez-la dans le corps en suivant les instructions données dans la partie 1.

3. Si l'eau de votre région contient du calcaire, de la rouille, du sable ou d'autres contaminants, la soupape d'équilibrage de la pression doit être inspectée périodiquement. La fréquence de l'inspection dépendra du taux de contaminants dans l'eau. Pour inspecter la cartouche de la soupape, retirez-la et suivez les étapes mentionnées dans la Note 1 ci-dessus. Tournez la soupape en position de mélange complet et secouez vigoureusement la cartouche. Si vous entendez un cliquetis, l'unité est fonctionnelle et peut être réinstallée en suivant les instructions indiquées dans la Note 1. Si vous n'entendez pas de cliquetis, remplacez le corps par la pièce de rechange appropriée.

## Fiche de référence sommaire de la cartouche

T27

Capuchon supérieur gris



**Commandez le kit RP46463  
pour remplacer la cartouche.**

**For illustrative purposes, the replacement parts for the T27 Series Classic Collection are shown on the following page. For replacement parts on all other collections, please refer to the parts diagrams available on [www.deltafaucet.com](http://www.deltafaucet.com).**

---

**Para los fines ilustrativos, las piezas de repuesto para la Colección Clásica de la Serie T27 se muestran en la siguiente página. Para las piezas de repuesto sobre todas las demás colecciones, por favor refiérase a los diagramas de piezas disponibles en [www.deltafaucet.com](http://www.deltafaucet.com).**

---

**A des fins d'illustrations, les pièces de rechange de la Collection Série Classique T27 sont montrées sur la page suivante. Pour les pièces de rechange de toutes les autres collections, veuillez vous référer aux diagrammes des pièces sur [www.deltafaucet.com](http://www.deltafaucet.com).**

**RP90543**

Thick Wall Installation Kit

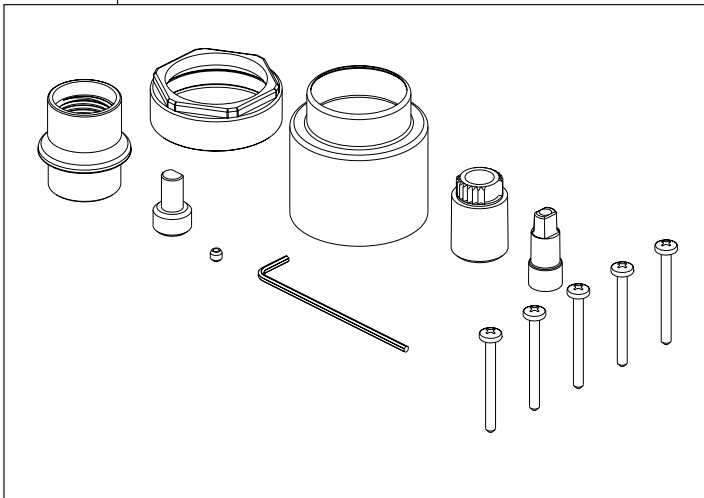
Juego de piezas para la instalación en paredes gruesas

Trousse d'installation pour mur épais

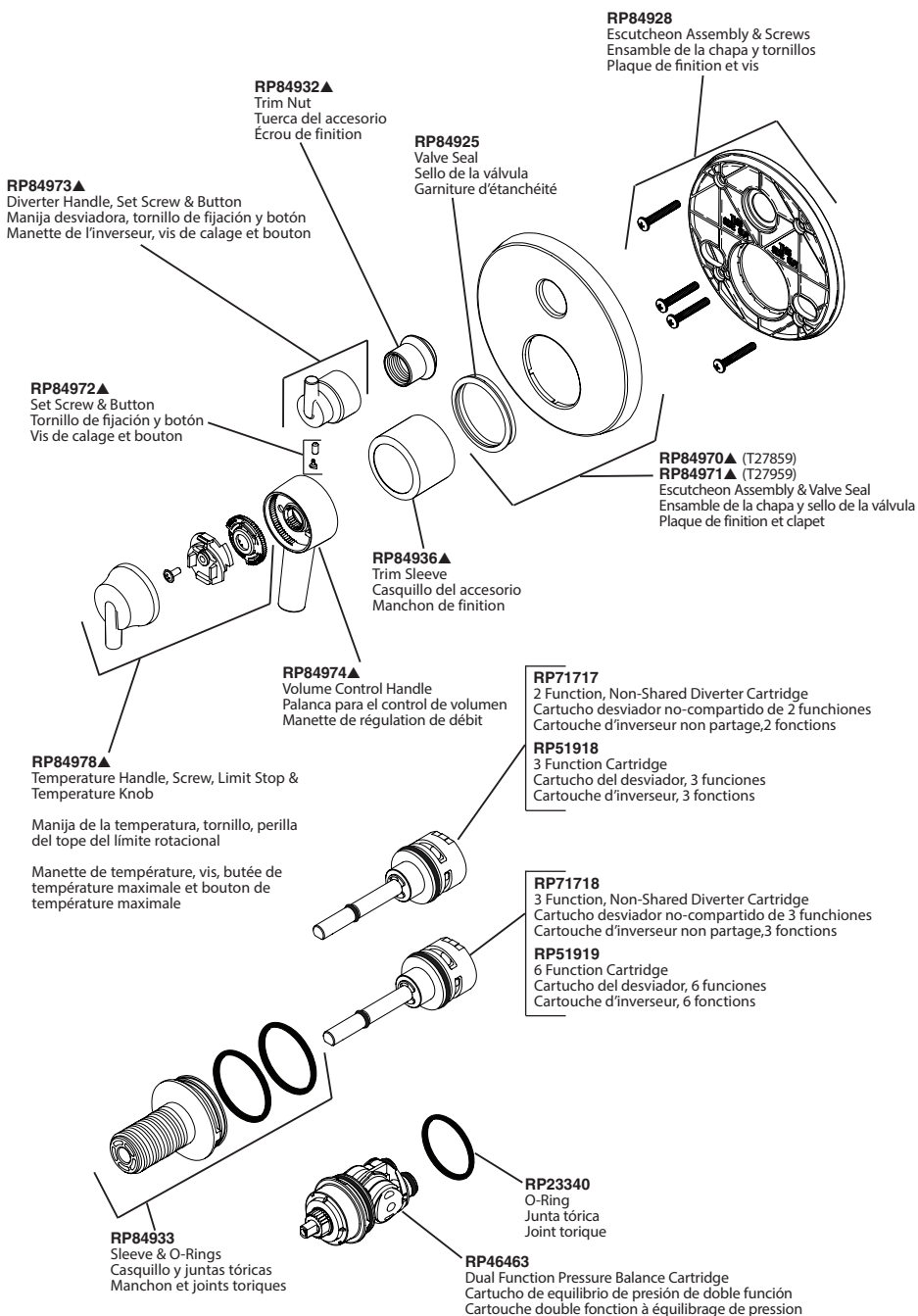
For finished wall thickness over 1 1/8" up to 2 1/8" (Order Separately)

Para paredes acabadas de un grosor mayor de 1 1/8" hasta 2 1/8" (ordene por separado)

Installation dans un mur fini d'une épaisseur de 1 1/8 po à 2 1/8 po (commandez séparément)

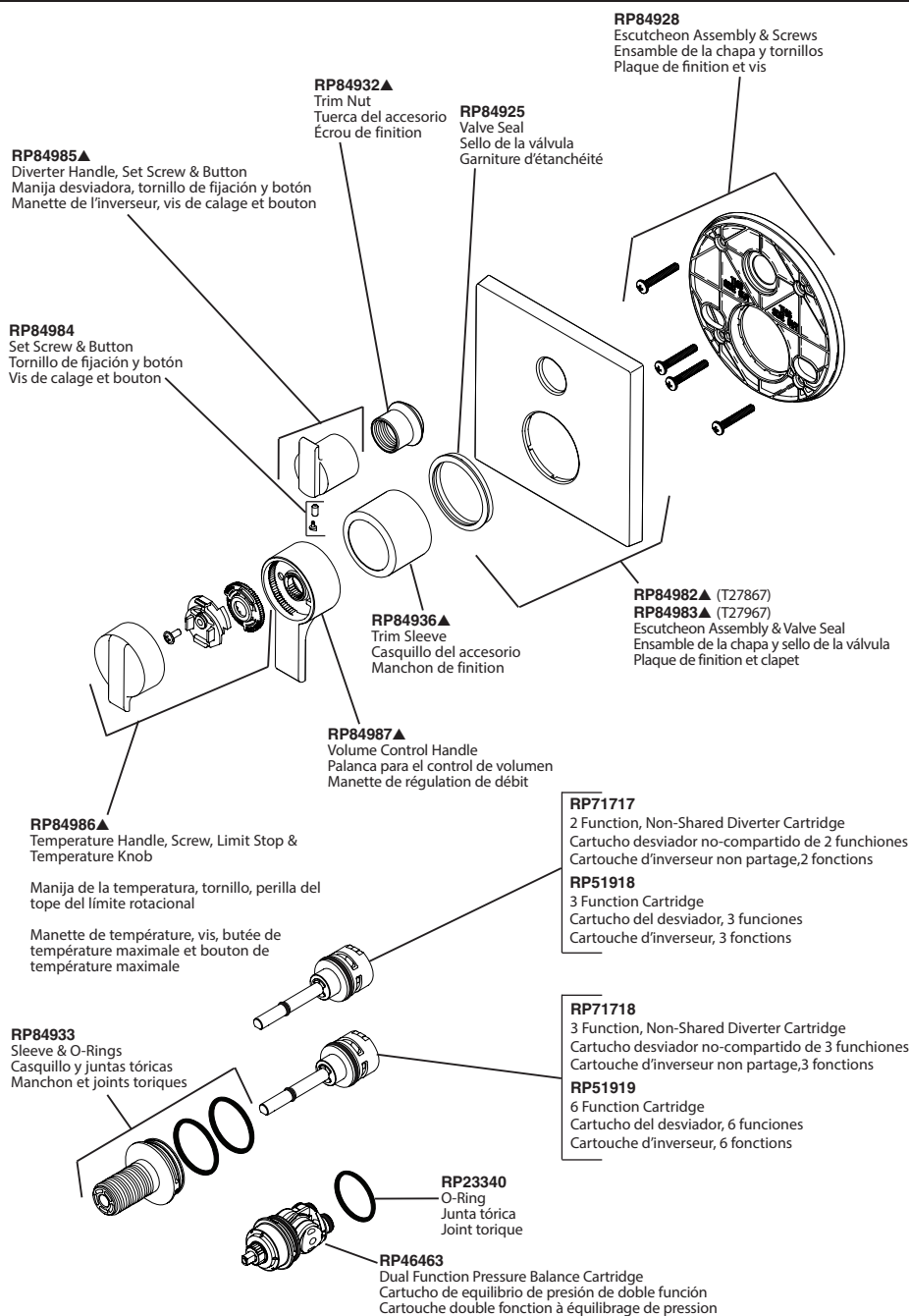


# T27859, T27959 Models / Modelos / Modèles



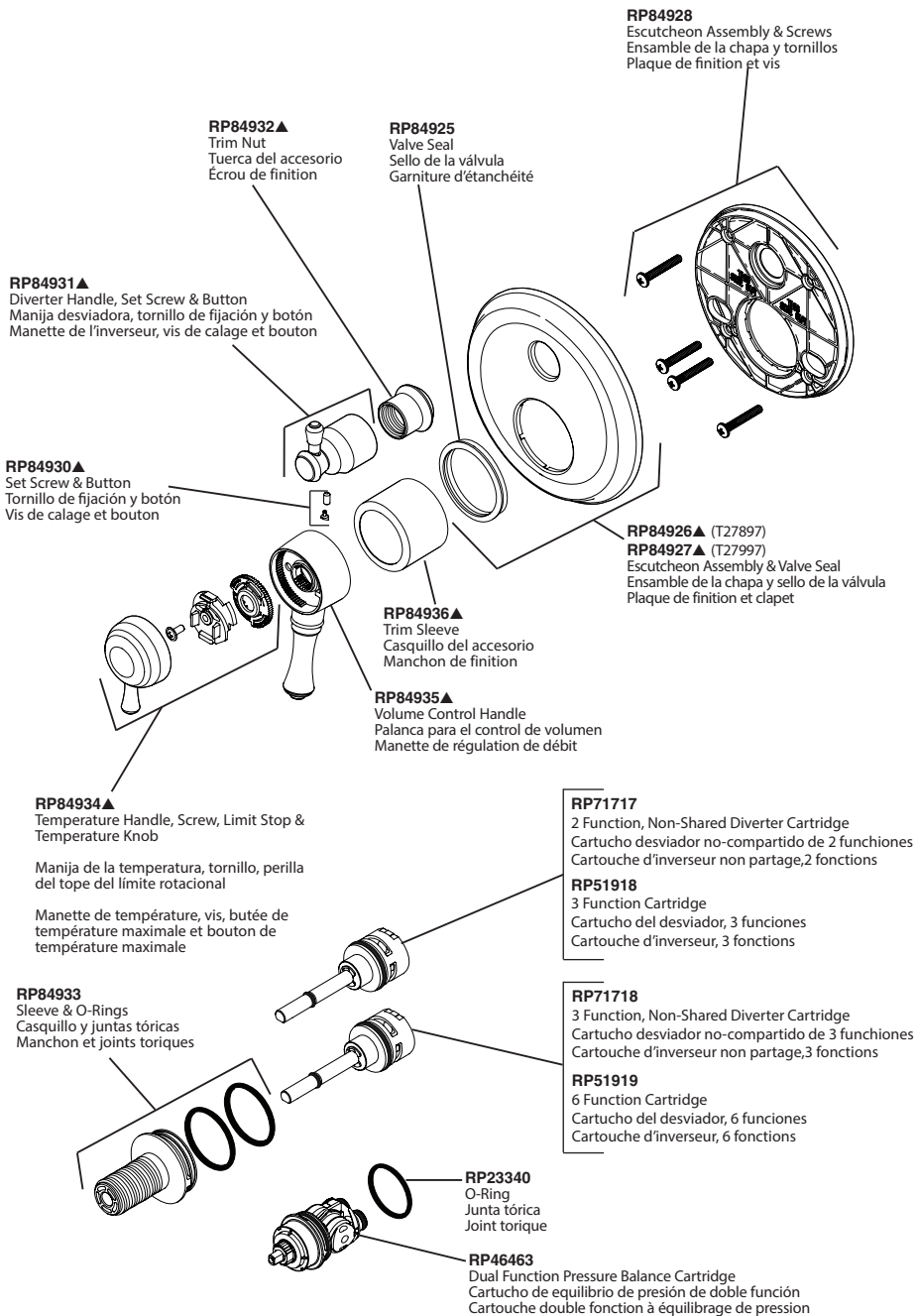
▲ Specify Finish/Especifique el Acabado/ Précisez le fini

# T27867, T27967 Models / Modelos / Modèles



▲ Specify Finish/Especifique el Acabado/ Précisez le fini

# T27897, T27997 Models / Modelos / Modèles



▲ Specify Finish/Especifique el Acabado/ Précisez le fini





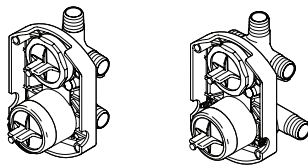
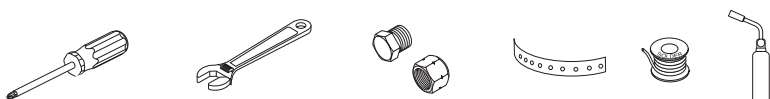
Delta Faucet Company  
Product Service  
55 E. 111th Street  
Indianapolis, IN 46280



**91557****MULTICHOICE® UNIVERSAL WITH INTERGRATED DIVERTER ROUGH****Multichoice® Universal con DESVIADOR INTERGRADO INTERNO****ROBINETTERIE BRUTE MULTICHOICE® UNIVERSELLE AVEC INVERSEUR INTÉGRÉ**

Model/Modelo/Modèle  
R22000 and R22000-WS  
Series/Series/Seria

Write purchased model number here.  
Escriba aquí el número del modelo comprado.  
Inscrivez le numéro de modèle ici.

**You may need/Usted puede necesitar/Articles dont vous pouvez avoir besoin:****For easy installation of your Delta® faucet you will need:**

- To **READ ALL** the instructions completely before beginning.
- To **READ ALL** warnings, care, and maintenance information.

**NOTICE TO INSTALLER: CAUTION!**—As the installer of this rough-in body, it is your responsibility to properly **INSTALL** this rough-in body per the instructions given. **YOU MUST inform the owner/user of this requirement by following the instructions. THIS ROUGH-IN BODY IS NOT RECOMMENDED FOR TUB INSTALLATION.** If you or the owner/user are unsure how to properly install this rough-in body, please refer to the instructions supplied and if still uncertain, call us at 1-800-345-DELTA. Leave this Instruction Sheet for the owner's/user's reference.

**Para instalación fácil de su llave Delta® usted necesitará:**

- **LEER TODAS** las instrucciones completamente antes de empezar
- **LEER TODOS** los avisos, cuidados, e información de mantenimiento.

**AVISO AL INSTALADOR: ¡CAUTELA!** Como instalador de este componente, es su responsabilidad **INSTALAR** correctamente esta pieza para las tuberías dentro de la pared de acuerdo con las instrucciones incluidas. **Debe informarle al propietario/usuario de este requisito siguiendo las instrucciones. ESTA PIEZA DE LAS TUBERÍAS NO SE RECOMIENDA PARA BAÑERAS.** Si usted o el dueño/consumidor no está seguro de cómo instalar la pieza de las tuberías internas, **por favor refiérase a las instrucciones suministradas y si aún tiene duda, llámenos al 1-800-345-DELTA.** Deje esta hoja de instrucciones para referencia del propietario/usuario

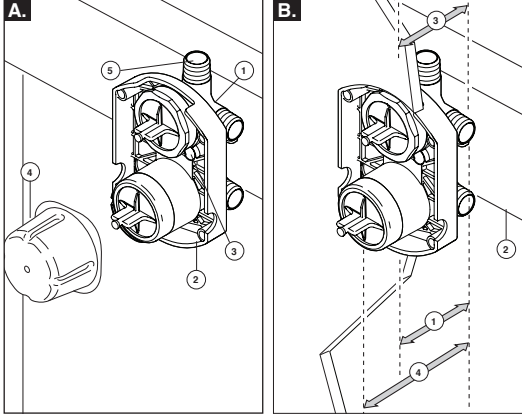
**Pour installer votre robinet Delta® facilement, vous devez:**

- **LIRE TOUTES** les instructions avant de débiter;
- **LIRE TOUS** les avertissements ainsi que toutes les instructions de nettoyage et d'entretien;

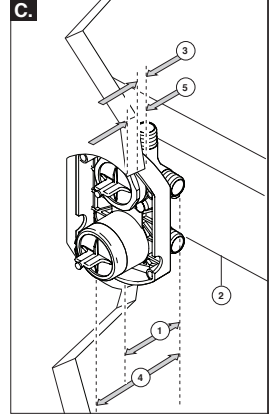
**AVIS À L'INSTALLATEUR : ATTENTION!**  
*En qualité d'installateur de ce corps de robinetterie brute, vous avez la responsabilité D'INSTALLER celui-ci correctement selon les instructions fournies. VOUS DEVEZ informer le propriétaire ou l'utilisateur de cette exigence en suivant les instructions. CE CORPS DE ROBINETTERIE BRUTE N'EST PAS RECOMMANDÉ POUR UNE BAIGNOIRE.*  
Si vous, le propriétaire ou l'utilisateur avez des doutes quant à la marche à suivre pour installer ce corps de robinetterie brute correctement, veuillez **consulter les instructions** fournies et, si vous avez toujours des doutes, veuillez nous appeler **1-800-345-DELTA.** Remettez ce feuillet d'instructions au propriétaire ou à l'utilisateur pour qu'il puisse le consulter au besoin.

1

## Standard Installation



## Thick Wall Installation

**A. SHUT OFF WATER SUPPLIES.**

Consider the type and thickness of your finished wall before placing your stringer back plate. Install the body (1) so the surface of the finished wall is flush with the front of the rough-in box (2)  $\pm 1/4"$ . Mount body using the two stringer mounting holes (3) on the body.

**Note: Remove cover (4) to access mounting holes.**

Make sure the word "UP" and shower outlet port (5) are on top of the valve body when installing.

**B.** Distance (1) from the stringer (2) to the front of the rough-in box is  $2\ 9/16" \pm 1/4"$  (65 mm  $\pm 6$  mm).

**Note: This is the same distance to the finished wall (3).** Distance (4) from the stringer (2) to the front of the bonnet is  $3\ 7/8"$  (99 mm).

(For reference only)

**Note: Gap around rough-in box not to exceed  $1/4"$  (6 mm). Use template on page 5.**

**C.** Thick wall installation for finished wall thickness (5) over  $1\ 1/8"$  up to  $2\ 1/8"$ .

Distance (1) from the stringer (2) to the front of the rough-in box is  $2\ 9/16" \pm 1/4"$  (65 mm  $\pm 6$  mm).

Distance (3) from the front of the rough-in box is  $1\ 1/8" \pm 1/8"$  in front of the framing studs.

Distance (4) from the stringer (2) to the front of the bonnet is  $3\ 7/8"$  (99 mm). (For reference only)

**Note: Gap around rough-in box not to exceed  $1/4"$  (6 mm). Use template on page 5.**

**A. CIERRE LOS SUMINISTROS DE AGUA.**

Tenga en cuenta el tipo y el grosor de su pared acabada antes de colocar la chapa trasera del larguero. Instale el cuerpo (1) de modo que la superficie de la pared acabada esté al ras con la parte del frente de la caja del Componente de las tuberías dentro de la pared (2)  $\pm 1/4"$ .

Instale el cuerpo o Componente usando los agujeros en los dos largueros de montaje (3) en éste. **Nota: retire la cubierta (4) para alcanzar a los agujeros de montaje.** Asegúrese de que la palabra "UP" y el puerto de salida de la regadera/ducha (5) están en la parte superior del cuerpo de la válvula durante la instalación.

**B.** La distancia (1) desde el larguero (2) a la parte delantera de la caja del Componente de las tuberías internas es  $2\ 9/16" \pm 1/4"$  (65 mm  $\pm 6$  mm). **Nota: Esta es la misma distancia a la pared acabada (3).**

La distancia (4) desde el larguero (2) a la parte delantera del casquete es  $3\ 7/8"$  (99 mm).

(Solo como referencia) **Nota: el espacio alrededor de la caja del componente de las tuberías internas no debe exceder  $1/4"$  (6 mm). Use la plantilla en la página 5.**

**B.** Retire los casquetes (1), la caja de las tuberías preliminares/detrás de la pared (3) y las tapas de prueba (2) antes de soldar. **Advertencia: evite soldar a temperaturas altas.**

**Asegúrese que los toques de límite (4) se hayan retirado de los toques en la versión c/ toques antes de soldar. (No instale antes de soldar). Nota: asegúrese de volver a colocar la caja de la tubería preliminar (3) y los otros componentes antes de soldar.**

**A. INTERROMPEZ L'ALIMENTATION EN EAU.**

Tenez compte du type du mur fini et de son épaisseur avant de poser la plaque de renfort transversale. Installez le corps (1) de sorte que la surface du mur fini soit à égalité avec l'avant du boîtier du corps de robinetterie brute (2)  $\pm 1/4$  po. Montez le corps en le fixant à la plaque de renfort transversale par les deux trous de montage (3) qui se trouvent sur celui-ci. **Note: Enlevez le couvercle (4) pour avoir accès aux trous de montage.** Assurez-vous que le mot « UP » et l'orifice de sortie pour la douche se trouvent dans la partie supérieure du corps de robinetterie.

**B.** La distance (1) entre la plaque de renfort transversale (2) et l'avant du boîtier du corps de robinetterie brute doit être de  $2\ 9/16$  po  $\pm 1/4$  po (65 mm  $\pm 6$  mm). **Note: La distance doit être le même par rapport au mur fini (3).** La distance (4) entre la plaque de renfort transversale (2) et l'avant du chapeau doit être de  $3\ 7/8$  po (99 mm). (A titre indicatif seulement) **Note: L'écart autour du boîtier du corps de robinetterie brute ne doit pas dépasser  $1/4$  po (6 mm). Utilisez le modèle à la page 5.**

**C.** Installation dans un mur fini d'une épaisseur (5) de  $1\ 1/8$  po à  $2\ 1/8$  po. L'écart (1) entre l'entretoise (2) et l'avant du boîtier du corps de robinetterie brute doit être de  $2\ 9/16$  po  $\pm 1/4$  po (65 mm  $\pm 6$  mm).

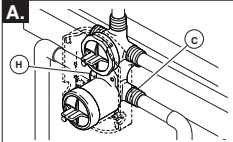
L'écart (3) entre l'avant du boîtier du corps de robinetterie brute et les montants doit être de  $1\ 1/8$  po  $\pm 1/8$  po.

L'écart (4) entre l'entretoise (2) et l'avant du chapeau doit être de  $3\ 7/8$  po (99 mm). (A titre indicatif seulement)

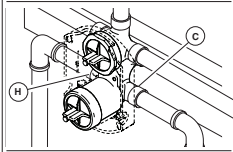
**Note : L'écart autour du boîtier du corps de robinetterie brute ne doit pas dépasser  $1/4$  po (6 mm). Utilisez le modèle à la page 5.**

# 2

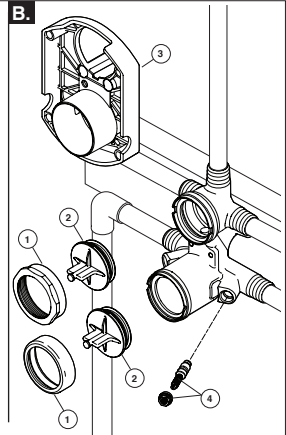
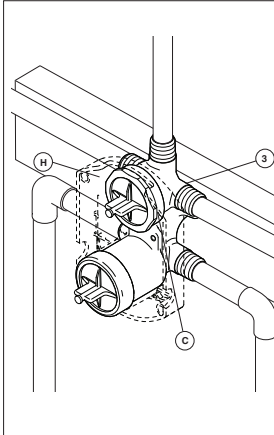
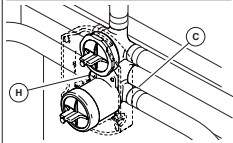
Copper  
Tubing  
Tubería de  
Cobre  
Cuivre



Iron Pipe  
Hierro  
Fer



PEX



**A.** Connect valve body to water supplies using the proper fittings for your valve body type (copper tubing, iron pipe or Pex).  
**Note:** For PEX, be sure to use the right fitting for crimping and the right tool for cold expansion.  
If any of the three outlet ports is to be unused, seal the port with a pipe plug.  
**Note:** On rough-in box (C) is the cold

inlet port and (H) is the hot inlet port. Plug right diverter port (3) (marked as 3 on rough-in box) if using a 3 function diverter.  
If you are making a back to back or reverse installation (hot on right and cold on left) install the valve body as described, but the water supply lines will be reversed.  
**Note:** (C) is the hot inlet port and (H) is the cold inlet port.

**B.** Remove bonnets (1), rough-in box (3) and test caps (2) before soldering. **Warning: Avoid soldering at high temperature. Be sure stops (4) are removed from the w/stops version before soldering. (Do not install before soldering.)**  
**Note:** Be sure to replace rough-in box (3) and other components after soldering.

**A.** Conecte el cuerpo de la válvula de suministro de agua usando los accesorios apropiados para su tipo de cuerpo de válvula (tubería de cobre, tubería de hierro o de PEX).  
**Nota:** Para PEX, asegúrese de utilizar el ajuste correcto para prensar y la herramienta adecuada para la expansión en frío.  
Si cualquiera de los tres puertos de salida no se va a usar, selle el puerto con un tapón de tubo.  
**Nota:** En la caja del componente de las tuberías internas se encuentra la entrada del agua fría (C) y el puerto de entrada de agua caliente (H) . Tape el puerto del desviador a

la derecha (3) (marcado como 3 en la caja de tuberías preliminares) si se utiliza un desviador de 3 funciones.  
Si usted está haciendo una instalación de dorso con dorso o inversa a la instalación (caliente en la derecha y fría en la izquierda) instale el cuerpo de la válvula como se ha descrito, pero se requiere invertir las líneas de suministro de agua.  
**Nota:** (C) sería la entrada de agua caliente (H) sería la entrada del agua fría.

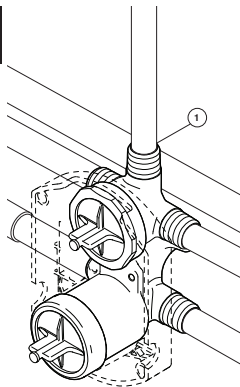
**B.** Retire los casquetes (1), la caja de las tuberías preliminares/ detrás de la pared (3) y las tapas de prueba (2) antes de soldar. **Advertencia: evite soldar a temperaturas altas. Asegúrese que los toques de límite (4) se hayan retirado de los toques en la versión c/ toques antes de soldar. (No instale antes de soldar.)**  
**Nota:** asegúrese de volver a colocar la caja de la tubería preliminar (3) y los otros componentes antes de soldar.

**A.** Raccordez le corps de robinetterie brute aux tuyaux d'alimentation en eau en utilisant des raccords adaptés au type du corps de robinetterie (cuivre, fer ou PEX).  
**note:** Si vous utilisez du PEX, assurez-vous d'utiliser le bon raccord à sertir et le bon outil de dilatation à froid. Si l'un des trois orifices de sortie est inutilisé, obturez-le avec un bouchon à tuyau.  
**Note:** Sur le boîtier du corps de robinetterie brute, (C) est l'orifice d'entrée d'eau froide et (H) est l'orifice d'entrée d'eau chaude. Obtenez l'orifice pour l'inverseur

(3) (identifié par le chiffre 3 sur le boîtier du corps de robinetterie brute) si vous utilisez un inverseur à 3 fonctions.  
Si vous faites une installation dos-à-dos ou inversée (eau chaude à droite et au froide à gauche), installez le corps de robinetterie de la manière décrite, mais inversez la tuyauterie d'alimentation en eau.  
**Note:** (C) est l'orifice d'entrée d'eau chaude et (H) est l'orifice d'entrée d'eau froide.

**B.** Enlevez les chapeaux (1), le boîtier du corps de robinetterie brute (3) et les capuchons d'essai (2) avant d'effectuer le brasage. **Mise en garde :** Évitez le brasage à haute température. Sur la version munie de robinets d'arrêt (4), enlevez les robinets d'arrêt avant d'entreprendre le brasage. (N'installez pas les robinets d'arrêt avant le brasage.) **Note :** N'oubliez pas de remettre le boîtier du corps de robinetterie (3) et les autres pièces en place après le brasage.

3

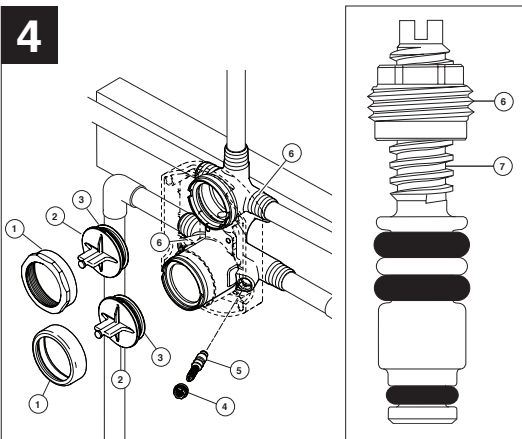


Connect top outlet port (1) to shower pipe with proper fittings.

Conecte la salida de arriba (1) a la tubería de la regadera con los accesorios apropiados.

À l'aide des records appropriés, raccordez l'orifice supérieur (1) au tuyau de la douche.

4



#### PRESSURE TESTING & FLUSHING THE INSTALLATION

Prior to testing, remove bonnets (1) and caps (2). Ensure O-rings (3) are properly installed. Reinstall cap and bonnet and tighten securely. Using the test plug provided, plug outlets with proper fittings. Check for leaks. After testing remove outlet plugs and flush system. Install stops (4 & 5) in the w/stops version and set to full open. **Note: Install stops in the w/stops version as follows: Thread nut (4) on stem (5) as shown. Then press stem and nut assembly into body (6) and tighten using a 3/8", 6 point, deep well socket. With a flat head screwdriver, adjust stem clockwise to close and counterclockwise to open.**

#### PRUEBA DE PRESIÓN Y LIMPIEZA DE LA INSTALACIÓN

Antes de probar, quite los casquetes (1) y las tapas (2). Asegure que las juntas tóricas (3) están instaladas correctamente. Vuelva a colocar la tapa y el casquete y apriete firmemente. Usando el tapón de prueba proporcionado, conecte salidas con los accesorios apropiados. Asegúrese que no hayan fugas o filtraciones de agua. Después de hacer las pruebas, quite los taponos de salida y deje correr el agua por el sistema. Instale los topes (4 y 5) en la versión que viene con topes y abra el agua completamente abierta. **Nota: Instale los topes en la versión que viene con topes de la siguiente manera: atornille la tuerca (4) en la espiga (5) como se muestra. Luego presione el ensamble de la espiga y la tuerca en el cuerpo (7) y apriete utilizando una llave de copa de 3/8" y 6 puntos. Con un destornillador de cabeza plana, ajuste la espiga hacia la derecha para cerrar y hacia la izquierda para abrir.**

#### ESSAI SOUS PRESSION ET RINÇAGE DE L'INSTALLATION

Avant d'effectuer la mise à l'épreuve, enlevez les chapeaux (1) et les capuchons (2). Assurez-vous que les joints toriques (3) sont bien installés. Reposez les capuchons ainsi que les chapeaux et serrez-les solidement. À l'aide des bouchons d'essai fournis, obturez les orifices de sortie. Cherchez à déceler des fuites. Une fois la mise à l'épreuve terminée, enlevez les bouchons des sorties et rincez le système. Sur la version munie de robinets d'arrêt, installez les robinets d'arrêt (4 et 5), puis ouvrez-les à fond. **Note : Sur une version munie de robinets d'arrêt, installez les robinets d'arrêt de la manière suivante : Vissez l'écrou (4) sur la tige (5) de la manière indiquée sur la figure. Enfoncez ensuite la tige avec l'écrou dans le corps (7) et serrez à l'aide d'une douille longue à 6 pans de 3/8 po. À l'aide d'un tournevis à extrémité plate, tournez la tige dans le sens horaire pour fermer le robinet et dans le sens antihoraire pour l'ouvrir.**

**Wall Finish Template / Terminado plantilla de pared / Gabarit pour le mur fini**

**Notice**  
Property damage and water leak possible. Follow instructions for finished opening.

**Aviso**  
Daños a la propiedad y el agua se filtran posible. Siga las instrucciones para la apertura terminada.

**Avis**  
Dommages à la propriété et de l'eau de fuite possible. Suivez les instructions pour l'ouverture terminée.

When finishing the shower walls, be sure to bring finished surface to within 1/4" of the rough-in box. For thick wall installations, the rough-in box or this template can be used to correctly locate and size the opening.

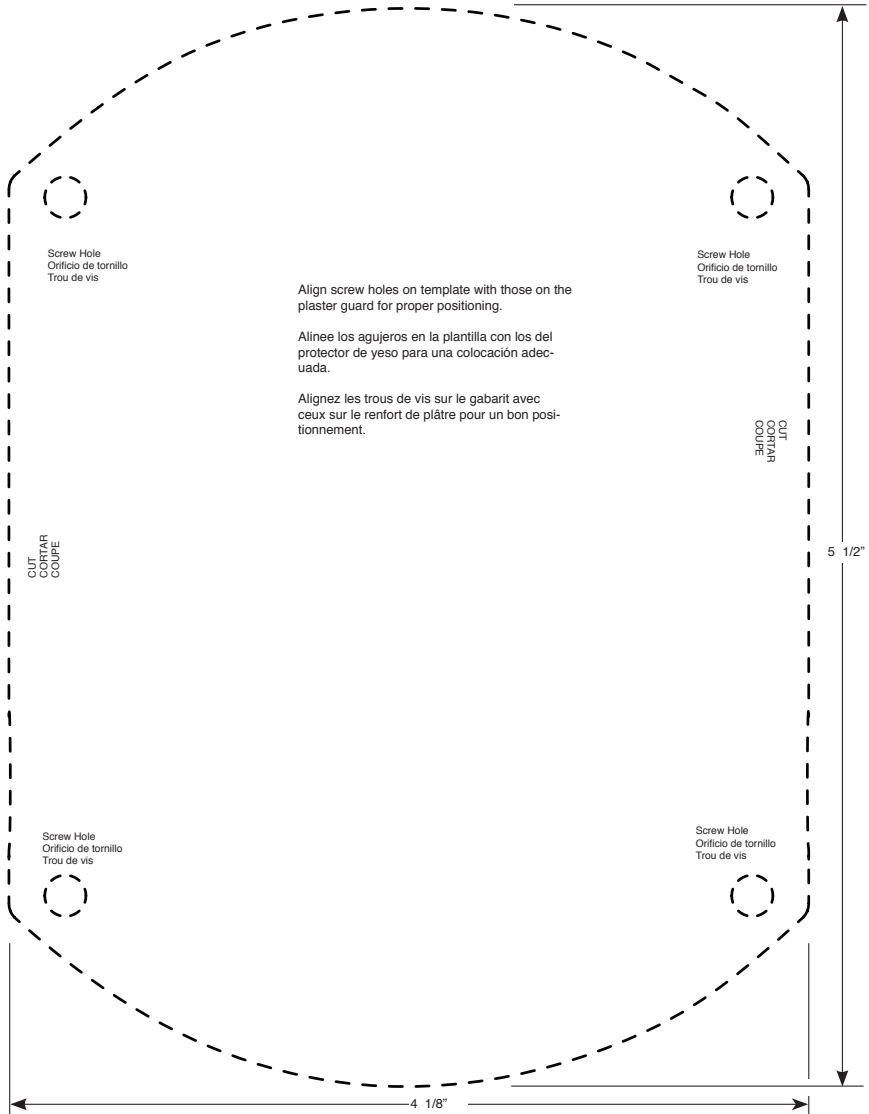
Al terminar las paredes de la ducha, asegúrese de traer superficie acabada dentro de 1/4" del protector de yeso. Para instalaciones en paredes gruesas, la cubierta del protector de yeso o de esta plantilla se puede utilizar para localizar correctamente y el tamaño de la abertura.

Lors de la finition des murs de la douche, n'oubliez pas d'apporter surface finie à l'intérieur 1/4 po de la garde de plâtre. Pour les installations à paroi épaisse, la couverture de garde de plâtre ou de ce modèle peuvent être utilisés pour localiser correctement et la taille de l'ouverture.

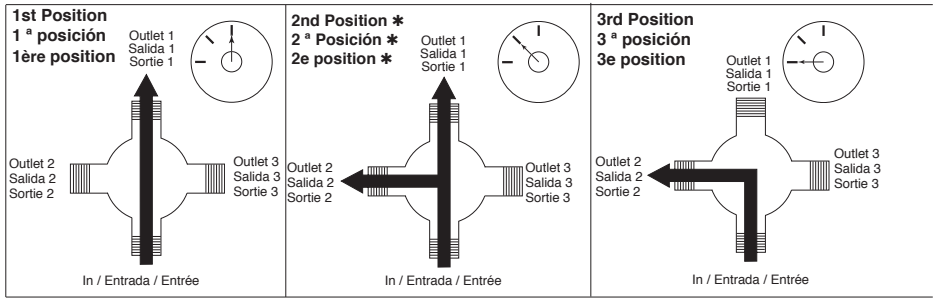
If using the rough-in, install screws to allow adjustment of the cover to the finished wall thickness.

Si se utiliza la cubierta protector de yeso, instale los tornillos que permitan el ajuste de la cubierta con el espesor de la pared terminada.

Si vous utilisez le couvercle de protection en plâtre, installer des vis qui permettraient l'ajustement de la couverture de l'épaisseur du mur fini.



**Water Flow For 3 Function Diverter / Flujo de agua para Desviadores de 3 posiciones / Écoulement de l'eau pour les inverseurs à 3 positions**

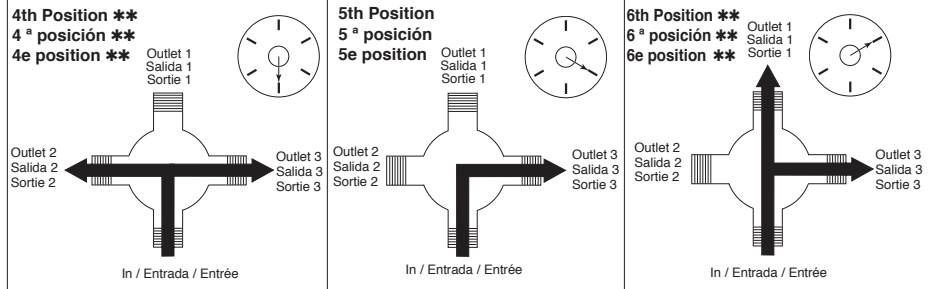
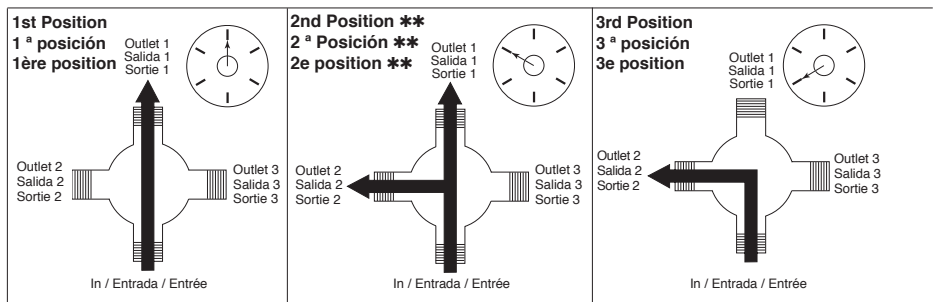


\* Shared positions do not exist in non-shared cartridges.

\* Los ajustes o posiciones compartidas no existen en los cartuchos no-compartidos.

\* Comme leur nom l'indique, les cartouches sans position partagée ne comportent aucune position partagée.

**Water Flow For 6 Function Diverter / Flujo de agua para Desviadores de 6 posiciones / Écoulement de l'eau pour les inverseurs à 6 positions**

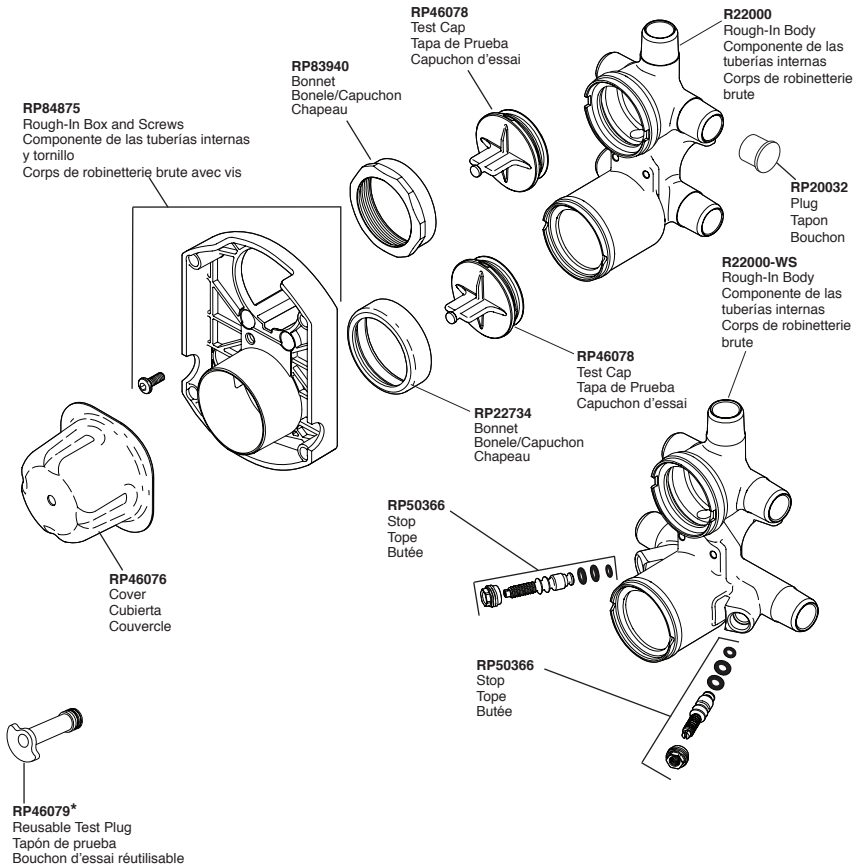


\*\* Shared positions do not exist in non-shared cartridges.

\*\* Los ajustes o posiciones compartidas no existen en los cartuchos no-compartidos.

\*\* Comme leur nom l'indique, les cartouches sans position partagée ne comportent aucune position partagée.

**Replacement Parts**  
**Piezas de Repuesto**  
**Pièces de rechange**



\*Used to plug one inlet side (Hot or Cold) to prevent cross flow when checking for leaks before the cartridge is installed. Insert into the inlet, place test cap and use the bonnet to secure in place.

\*For WS models close one of the inlet stops to prevent cross-flow.

\*Tapaban una entrada lateral (caliente o frío) para prevenir flujo cruzado cuando la comprobación para saber si hay escapes antes del cartucho está instalada. El relleno en la entrada, casquillo de la prueba del lugar y utiliza el capo para asegurar en lugar.

\*Branchaient une admission latérale (chaud ou froid) pour empêcher l'écoulement en travers quand la vérification les fuites avant le cartouche est installée. L'insertion dans l'admission, chapeau d'essai d'endroit et emploient le capot pour fixer en place.

## Limited Warranty on Delta® Faucets

### Parts and Finish

All parts (other than electronic parts and batteries) and finishes of this Delta® faucet are warranted to the original consumer purchaser to be free from defects in material and workmanship for as long as the original consumer purchaser owns the home in which the faucet was first installed or, for commercial users, for 5 years from the date of purchase.

### Electronic Parts and Batteries (if applicable)

Electronic parts (other than batteries), if any, of this Delta® faucet are warranted to the original consumer purchaser to be free from defects in material and workmanship for 5 years from the date of purchase or, for commercial users, for one year from the date of purchase. No warranty is provided on batteries.

Delta Faucet Company will replace, FREE OF CHARGE, during the applicable warranty period, any part or finish that proves defective in material and/or workmanship under normal installation, use and service. If repair or replacement is not practical, Delta Faucet Company may elect to refund the purchase price in exchange for the return of the product. **These are your exclusive remedies.**

Delta Faucet Company recommends using a professional plumber for all installation and repair. We also recommend that you use only genuine Delta® replacement parts.

Delta Faucet Company shall not be liable for any damage to the faucet resulting from misuse, abuse, neglect or improper or incorrectly performed installation, maintenance or repair, including failure to follow the applicable care and cleaning instructions.

Replacement parts may be obtained by calling the applicable number below or by writing to:

### In the United States and Mexico:

Delta Faucet Company  
Product Service  
55 E. 111th Street  
Indianapolis, IN 46280  
1-800-345-DELTA (3358)  
customerservice@deltafaucet.com

### In Canada:

Masco Canada Limited, Plumbing Group  
Technical Service Centre  
350 South Edgeware Road  
St. Thomas, Ontario, Canada N5P 4L1  
1-800-345-DELTA (3358)  
customerservice@mascocanada.com

Proof of purchase (original sales receipt) from the original purchaser must be made available to Delta Faucet Company for all warranty claims unless the purchaser has registered the product with Delta Faucet Company. This warranty applies only to Delta® faucets manufactured after January 1, 1995 and installed in the United States of America, Canada and Mexico.

DELTA FAUCET COMPANY SHALL NOT BE LIABLE FOR ANY SPECIAL, INCIDENTAL OR CONSEQUENTIAL DAMAGES (INCLUDING LABOR CHARGES) FOR BREACH OF ANY EXPRESS OR IMPLIED WARRANTY ON THE FAUCET. Some states/provinces do not allow the exclusion or limitation of special, incidental or consequential damages, so these limitations and exclusions may not apply to you. This warranty gives you special legal rights. You may also have other rights which vary from state/province to state/province.

This is Delta Faucet Company's exclusive written warranty and the warranty is not transferable.

If you have any questions or concerns regarding our warranty, please view our Warranty FAQs at [www.deltafaucet.com](http://www.deltafaucet.com), email us at [customerservice@deltafaucet.com](mailto:customerservice@deltafaucet.com) or call us at the applicable number above.

© 2016 Masco Corporation of Indiana

## Garantía Limitada de las Llaves de Agua (grifos) Delta®

### Piezas y acabado

Todas las piezas (excepto las piezas electrónicas y las pilas) y los acabados de esta llave de agua Delta® están garantizados al consumidor comprador original de estar libres de defectos en material y fabricación durante el tiempo que el comprador original posea la vivienda en la que la llave de agua fue originalmente instalada o, para los consumidores comerciales, durante 5 años a partir de la fecha de compra.

### Componentes electrónicos y pilas (si aplicable)

Todas las piezas (salvo las pilas), si hay, de esta llave de agua Delta® están garantizadas al consumidor comprador original de estar libres de defectos en materiales y fabricación durante 5 años a partir de la fecha de compra, para los usuarios comerciales, por un año a partir de la fecha de compra. No se garantizan las pilas.

Delta Faucet Company reemplazará, SIN CARGO, durante el período de garantía aplicable, cualquier pieza o acabado que pruebe tener defectos de material y/o fabricación bajo la instalación, uso y servicio normal. Si la reparación o su reemplazo no es práctico, Delta Faucet Company tiene la opción de reembolsarle su dinero por la cantidad del precio de compra a cambio de la devolución del producto. **Estos son sus únicos recursos.**

Delta Faucet Company recomienda que use los servicios de un plomero profesional para todas las instalaciones y reparaciones. También le recomendamos que utilice sólo las piezas de repuesto originales de Delta®.

Delta Faucet Company no será responsable por cualquier daño a la llave de agua que resulte del mal uso, abuso, negligencia o mala instalación o mantenimiento o reparación incorrecta, incluyendo el no seguir los cuidados aplicables y las instrucciones de limpieza.

Las piezas de repuesto se pueden obtener llamando al número correspondiente más abajo, o escribiendo a:

### En los Estados Unidos y México:

Delta Faucet Company  
Product Service  
55 E. 111th Street  
Indianapolis, IN 46280  
1 800 345 DELTA (3358)  
customerservice@deltafaucet.com

### En Canadá:

Masco Canada Limited, Plumbing Group  
Technical Service Centre  
350 South Edgeware Road  
St. Thomas, Ontario, Canada N5P 4L1  
1 800 345 DELTA (3358)  
customerservice@mascocanada.com

La prueba de compra (recibo original) del comprador original debe ser disponible a Delta Faucet Company para todos los reclamos a menos que el comprador haya registrado el producto con Delta Faucet Company. Esta garantía le aplica sólo a las llaves de agua de Delta® fabricadas después del 1 de enero 1995 e instaladas en los Estados Unidos de América, Canada y México.

DELTA FAUCET COMPANY NO SE HACE RESPONSABLE POR CUALQUIER DAÑO ESPECIAL, INCIDENTAL O CONSECUENTE (INCLUYENDO LOS GASTOS DE MANO DE OBRA) POR EL INCUMPLIMIENTO DE CUALQUIER GARANTÍA EXPRESA O IMPLÍCITA DE LA LLAVE DE AGUA. Algunos estados/provincias no permiten la exclusión o limitación de daños especiales, incidentales o consecuentes, por lo que estas limitaciones y exclusiones pueden no aplicarle a usted. Esta garantía le otorga derechos legales. Usted también puede tener otros derechos que varían de estado/provincia a estado/provincia.

Esta es la garantía exclusiva por escrito de Delta Faucet Company y la garantía no es transferible.

Si usted tiene alguna pregunta o inquietud acerca de nuestra garantía, por favor, vea nuestra sección de preguntas frecuentes FAQ sobre la garantía en [www.deltafaucet.com](http://www.deltafaucet.com), también puede enviarnos un correo electrónico a [customerservice@deltafaucet.com](mailto:customerservice@deltafaucet.com) o llámanos al número que le correspondía anteriormente incluido.

© 2016 Masco Corporation of Indiana

## Garantie limitée des robinets Delta®

### Pièces et finis

Toutes les pièces (à l'exception des composants électroniques et des piles) et tous les finis de ce robinet Delta® sont protégés contre les détériorités du matériau et les vices de fabrication par une garantie qui est consentie au premier acheteur et qui demeure valide tant que celui-ci demeure propriétaire de la maison dans laquelle le robinet a été installé. Dans le cas d'une utilisation commerciale, la garantie est de 5 ans à compter de la date d'achat.

### Composants électroniques et piles (le cas échéant)

Si ce robinet Delta® comporte des composants électroniques, ces composants (à l'exception des piles) sont protégés contre les détériorités du matériau et les vices de fabrication par une garantie consentie au premier acheteur qui est d'une durée de 5 ans à compter de la date d'achat. Dans le cas d'une utilisation commerciale, la garantie est d'un an à compter de la date d'achat. Aucune garantie ne couvre les piles.

Delta Faucet Company remplacera, GRATUITEMENT, pendant la période de garantie applicable, toute pièce ou tout fini qui présentera une détériorité du matériau et/ou un vice de fabrication sur autant que le robinet ait été installé, utilisé et entretenu normalement. Si c'est impossible de réparer ou de remplacer le robinet, Delta Faucet Company pourra décider de rembourser le prix d'achat du produit pour autant que celui-ci lui soit retourné. **Il s'agit de vos seuls recours.**

Delta Faucet Company recommande de confier l'installation et la réparation à un plombier professionnel. Nous vous recommandons également d'utiliser uniquement des pièces de rechange authentiques Delta®.

Delta Faucet Company se dégage de toute responsabilité à l'égard des dommages causés au robinet en raison d'un mauvais usage, d'un usage abusif, de la négligence ou de l'utilisation d'une méthode d'installation, de maintenance ou de réparation incorrecte ou inadéquate, y compris les dommages résultant du non-respect des instructions de nettoyage et d'entretien applicables.

Pour obtenir des pièces de rechange, veuillez appeler au numéro applicable ci-dessous ou écrire à l'adresse applicable ci-dessous.

### Aux États-Unis et au Mexique :

Delta Faucet Company  
Product Service  
55 E. 111th Street  
Indianapolis, IN 46280  
1-800-345-DELTA (3358)  
customerservice@deltafaucet.com

### Au Canada:

Masco Canada Limited, Plumbing Group  
Technical Service Centre  
350 South Edgeware Road  
St. Thomas, Ontario, Canada N5P 4L1  
1-800-345-DELTA (3358)  
customerservice@mascocanada.com

La preuve d'achat (reçu original) du premier acheteur doit être présentée à Delta Faucet Company pour toutes les demandes en vertu de la garantie, sauf si le produit a été enregistré auprès de Delta Faucet Company. La présente garantie s'applique uniquement aux robinets Delta® fabriqués après le 1er janvier 1995 et installés aux États-Unis d'Amérique, au Canada et au Mexique.

DELTA FAUCET COMPANY SE DÉGAGE DE TOUTE RESPONSABILITÉ À L'ÉGARD DES DOMMAGES PARTICULIERS, CONSÉQUENTS OU INDIRECTS (Y COMPRIS LES FRAIS DE MAIN-D'ŒUVRE) QUI POURRAIENT RÉSULTER DE LA VIOLATION D'UNE GARANTIE IMPLICITE OU EXPLICITE QUELCONQUE SUR LE ROBINET. Dans les États ou les provinces où il est interdit de limiter ou d'exclure la responsabilité à l'égard des dommages particuliers, consécutifs ou indirects, les limites et les exclusions susmentionnées ne s'appliquent pas. La présente garantie vous donne des droits précis qui peuvent varier selon l'État ou la province où vous résidez.

La présente garantie écrite est la garantie exclusive offerte par Delta Faucet Company et elle n'est pas transférable.

Si vous avez des questions ou des préoccupations en ce qui concerne notre garantie, veuillez consulter la page Warranty FAQs à [www.deltafaucet.com](http://www.deltafaucet.com), faire parvenir un courriel à [customerservice@deltafaucet.com](mailto:customerservice@deltafaucet.com) ou nous appeler au numéro applicable.

© 2016 Division de Masco Indiana





44156

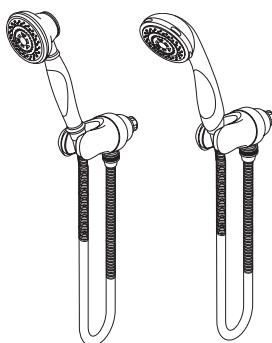


ASME A112.18.1 / CSA B125.1

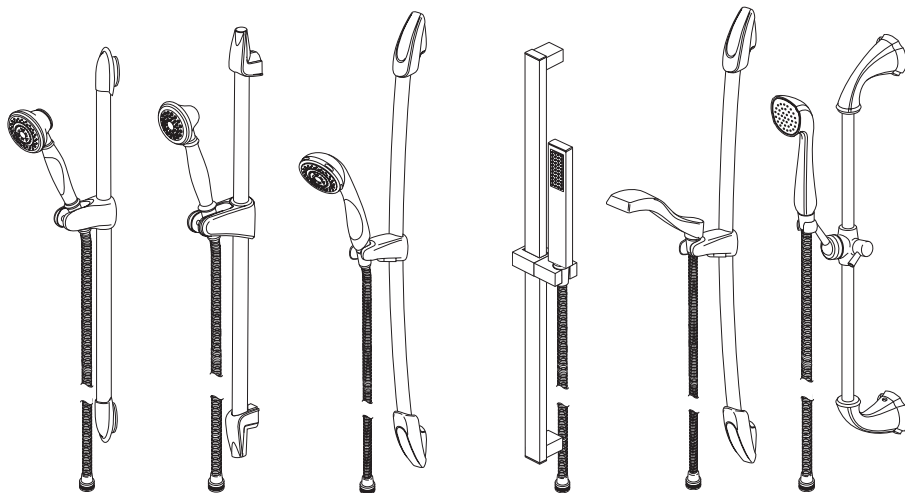
### 54613 & 56613 SERIES SHOWER MOUNT HAND SHOWER INSTALLATION INSTRUCTIONS

SERIES 54613 Y 56613  
INSTRUCCIONES PARA LA  
INSTALACIÓN DE LA REGADERA  
MANUAL EN LA REGADERA

SÉRIES 54613 ET 56613  
INSTRUCTIONS D'INSTALLATION  
DU PORTE-DOUCHE



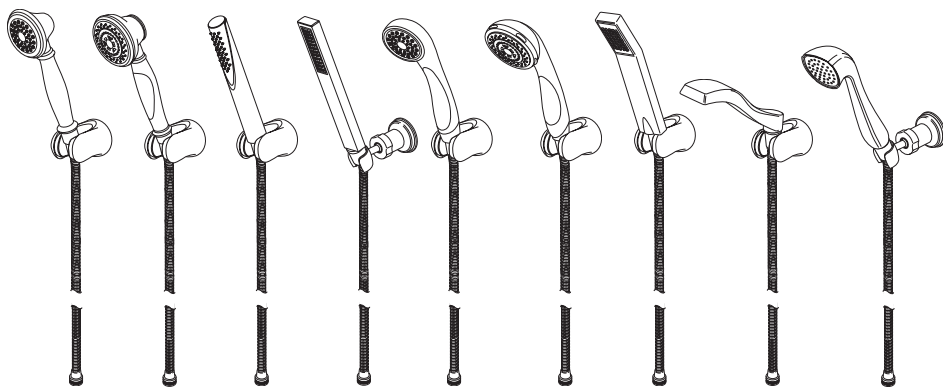
Write purchased model number here.  
Escriba aquí el número del modelo comprado.  
Inscrivez le numéro de modèle ici.



### 54713, 55710, 56713, 57530, 57713 & 59210 SERIES WALL BAR HAND SHOWER UNIT INSTALLATION INSTRUCTIONS

SERIES 54713, 55710, 56713, 57530,  
57713 Y 59210 INSTRUCCIONES  
PARA LA INSTALACIÓN DE LA  
BARRA EN LA PARED PARA  
SOSTENER LA REGADERA MANUAL

SÉRIES 54713, 55710, 56713, 57530,  
57713 ET 59210 INSTRUCTIONS  
D'INSTALLATION DE LA COULISSE  
DE DOUCHE À MAIN



### 54510, 54513, 55510, 55530, 56510, 56513, 57510, 57513 & 57923 SERIES WALL MOUNT HAND SHOWER INSTALLATION INSTRUCTIONS

SERIES 54510, 54513, 55510, 55530,  
56510, 56513, 57510, 57513 Y 57923  
INSTRUCCIONES PARA LA  
INSTALACIÓN DE LA REGADERA  
MANUAL EN LA PARED

SÉRIES 54510, 54513, 55510, 55530,  
56510, 56513, 57510, 57513 ET 57923  
INSTRUCTIONS D'INSTALLATION  
DES SUPPORTS MURAUX

#### For easy installation of your Delta faucet you will need:

- To **READ ALL** the instructions completely before beginning.
- To **READ ALL** warnings, care, and maintenance information.
- To purchase the correct **water supply hook-up**.

#### Para instalación fácil de su llave Delta usted necesitará:

- **LEER TODAS** las instrucciones completamente antes de empezar.
- **LEER TODOS** los avisos, cuidados, e información de mantenimiento.
- Comprar las conexiones correctas para el **suministro de agua**.

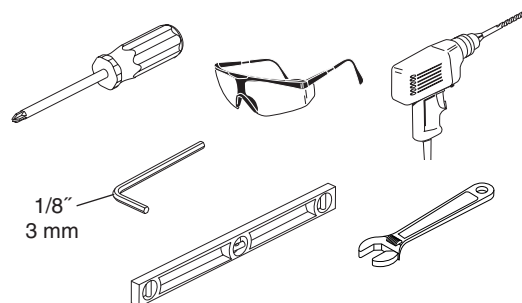
#### Pour installer votre robinet Delta facilement, vous devez:

- **LIRE TOUTES** les instructions avant de débiter;
- **LIRE TOUS** les avertissements ainsi que toutes les instructions de nettoyage et d'entretien;
- Acheter le bon nécessaire de raccordement.

You may need

Usted puede necesitar

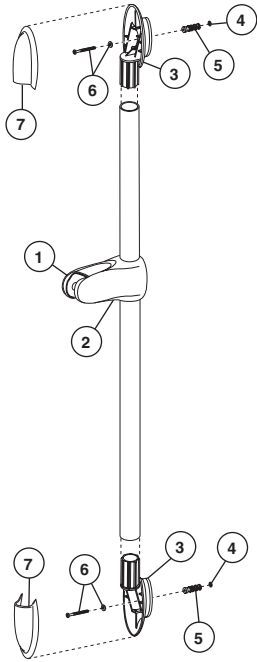
Articles dont vous pouvez avoir besoin:



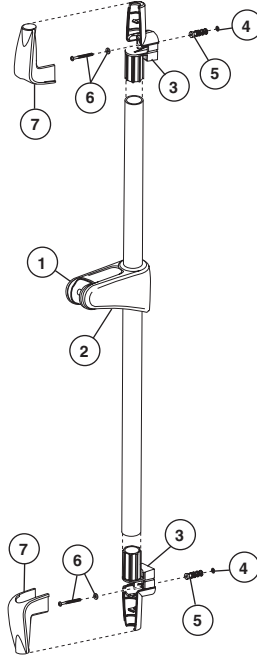
# 1

## Wall Bar Barra para la pared Coulisse de douche à main

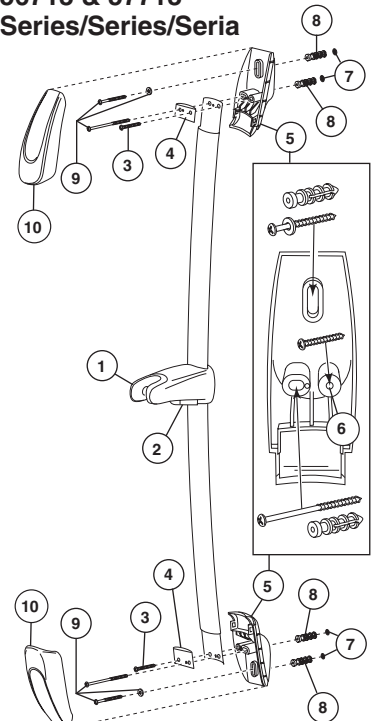
### 54713 Series/Series/Seria



### 55710 Series/Series/Seria



### 56713 & 57713 Series/Series/Seria



Select wall position for wall bar or wall mount bracket based on family's needs.  
**NOTE: Locate so there will be slack in the hose when hand shower is in extreme up or down position.** Follow the mounting instructions for your specific model.

#### WALL BAR INSTALLATION

**Models 54713 & 55710:** Slide the slide mechanism (1) onto the bar with the push button (2) (if your model has one) facing down. The slide mechanism must be on the bar before mounting it to the brackets. Slide a wall bracket (3) into each end of the wall bar. Using a level, position the bar in a level vertical position and mark the drill holes (4). Move the bar out of the way and drill 1/4" holes. **Note: For ceramic tile installation, drill holes in grout (if possible) and insert anchors. For fiberglass/acrylic surfaces, use toggle bolts (not included).** Insert anchors (5). Secure the wall bar unit with the screws and washers (6) provided. Slide each bracket cover (7) over each wall bracket and snap them into place.

#### WALL BAR INSTALLATION

**Models 56713 & 57713:** Slide the slide mechanism (1) onto the bar with the push button (2) (if your model has one) facing down. The slide mechanism must be on the bar before mounting it to the brackets. Using the shortest length screw (3), assemble plastic inserts (4) & brackets (5) on each end of the wall bar. **Note: Use hole (6) to assemble the bracket to the bar.** Using a level, position the bar in a level vertical position and mark the drill holes (7). Move the bar out of the way and drill 1/4" holes. **Note: For ceramic tile installation, drill holes in grout (if possible) and insert anchors. For fiberglass/acrylic surfaces, use toggle bolts (not included).** Insert anchors (8). Secure the wall bar unit with the screws and washers (9) provided. Slide each bracket cover (10) over each wall bracket and snap them into place.

Elija la posición en la pared para la barra de pared basada en las necesidades de su familia. **NOTA: Ubíquela de manera que tenga la manguera algo floja cuando use la regadera manual, en la posición extrema hacia arriba o hacia abajo.**

#### INSTALACIÓN DE LA BARRA PARA LA PARED

**Modelos 54713 y 55710:** Deslice el mecanismo para deslizar (1) en la barra con el botón de presión (2) cara hacia abajo. El mecanismo deslizable debe estar en la barra antes de instalar la barra en los sujetadores. Deslice un soporte de pared (3) en cada extremo de la barra de pared. Usando un nivel, coloque la barra en una posición vertical nivelada y marque los agujeros para taladrar (4). Mueva la barra a un lado y taladre agujeros de 1/4". **Nota: Para la instalación en losas de cerámica, taladre los agujeros en la lechada de cemento (si es posible) e introduzca las anclas. En las superficies de vidrio fibroso/acrílico, use tornillos fijadores (no se incluyen).** Inserte las anclas (5). Fije la barra en la pared con los tornillos y las arandelas (6) proporcionadas. Deslice cada cubierta de los sujetadores sobre (7) cada sujetador de pared y colóquelos a presión.

#### INSTALACIÓN DE LA BARRA PARA LA PARED

**Modelos 56713 y 57713:** Deslice el mecanismo para deslizar (1) en la barra con el botón de presión (2) cara hacia abajo. El mecanismo deslizable debe estar en la barra antes de instalar la barra en los sujetadores. Usando el tornillo más corto (3), ensamble los insertos plásticos (4) y los soportes (5) en cada extremo de la barra de pared. **Nota: Use el agujero (6) para ensamblar el soporte en la barra.** Usando un nivel, coloque la barra en una posición vertical nivelada y marque los agujeros para taladrar (7). Mueva la barra a un lado y taladre agujeros de 1/4". **Nota: Para la instalación en losas de cerámica, taladre los agujeros en la lechada de cemento (si es posible) e introduzca las anclas. En las superficies de vidrio fibroso/acrílico, use tornillos fijadores (no se incluyen).** Inserte las anclas (8). Fije la barra en la pared con los tornillos y las arandelas (9) proporcionadas. Deslice cada cubierta de los sujetadores sobre (10) cada sujetador de pared y colóquelos a presión.

Choisissez un endroit sur le mur qui convient aux besoins de votre famille. **NOTE : Laissez suffisamment de jeu au tuyau de sorte que la douche à main puisse atteindre les points inférieur et supérieur extrêmes librement.**

#### INSTALLATION DE LA BARRE COULISSANTE

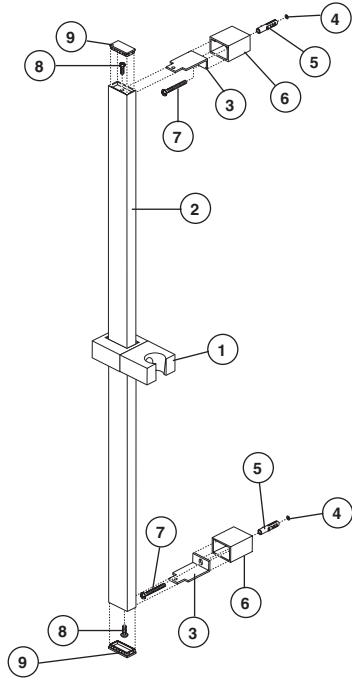
**Modèles 54713 et 55710 :** Glissez le coulisseau (1) sur la coulisse; le bouton poussoir (2) doit être orienté vers le bas. Vous devez fixer le coulisseau à la coulisse avant de monter celle-ci sur les supports. Faites glisser une fixation murale (3) dans chaque extrémité de la barre murale. À l'aide d'un niveau, placez la coulisse à la verticale et marquez la position des trous (4). Écartez la coulisse et percez des trous de 1/4 po. **Note : pour une installation sur des carreaux de céramique, percez les trous dans le coulis (dans la mesure du possible) et introduisez des ancrages dans les trous. Pour une installation sur des surfaces en fibre de verre et des surfaces en acrylique, utilisez des boulons à ailettes (non inclus).** Introduisez des ancrages (5). Fixez la coulisse avec les vis et les rondelles (6) fournies. Glissez chaque couvercle (7) sur chaque support mural et exercez une pression sur les couvercles pour les caler en place.

#### INSTALLATION DE LA BARRE COULISSANTE

**Modèles 56713 et 57713 :** Glissez le coulisseau (1) sur la coulisse; le bouton poussoir (2) doit être orienté vers le bas. Vous devez fixer le coulisseau à la coulisse avant de monter celle-ci sur les supports. À l'aide de la vis la plus courte (3), assemblez les éléments rapportés en plastique (4) et les fixations (5) à chaque extrémité de la barre murale. **Note : Servez-vous du trou (6) pour fixer la fixation à la barre.** À l'aide d'un niveau, placez la coulisse à la verticale et marquez la position des trous (7). Écartez la coulisse et percez des trous de 1/4 po. **Note : pour une installation sur des carreaux de céramique, percez les trous dans le coulis (dans la mesure du possible) et introduisez des ancrages dans les trous. Pour une installation sur des surfaces en fibre de verre et des surfaces en acrylique, utilisez des boulons à ailettes (non inclus).** Introduisez des ancrages (8). Fixez la coulisse avec les vis et les rondelles (9) fournies. Glissez chaque couvercle (10) sur chaque support mural et exercez une pression sur les couvercles pour les caler en place.

**Wall Bar**  
**Barra para la pared**  
**Coulisse de douche à main**

**57530**  
**Series/Series/Seria**



**WALL BAR INSTALLATION**

**Model 57530:** Slide the slide mechanism (1) onto the wall bar (2). The slide mechanism must be on the bar before mounting it to the brackets. Temporarily insert brackets (3) into slots in wall bar. Using a level, position the bar in a level vertical position and mark the drill holes (4). Move the bar out of the way and drill 1/4" holes. **Note: For ceramic tile installation, drill holes in grout (if possible) and insert anchors. For fiberglass/acrylic surfaces, use toggle bolts (not included).** Insert anchors (5) into drilled holes. Remove brackets (3) from wall bar. Slide covers (6) over brackets, and insert screws (7) into bracket/cover assembly. Secure assembly to wall with screws. Slide wall bar over bracket tabs and secure the wall bar unit with screws (8) provided. Install caps (9) into ends of wall bar.

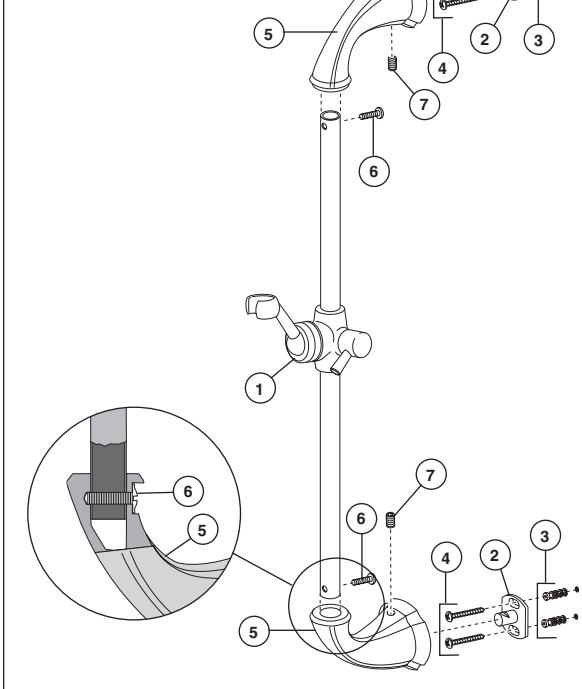
**INSTALACIÓN DE LA BARRA PARA LA PARED**

**Modelo 57530:** deslice el mecanismo de deslizamiento (1) en la barra de la pared (2). El mecanismo de deslizamiento debe estar en la barra antes de montarlos en los soportes. Temporalmente inserte los soportes (3) en las ranuras en la barra de la pared. Con un nivel, coloque la barra en posición nivelada, vertical, y marque los agujeros de perforación (4). Mueva la barra a un lado y perforo los agujeros de 1/4". **Nota: Para la instalación en baldosas de cerámica, perforo los agujeros en la lechada (si es posible) e inserte las anclas.** En superficies de fibra de vidrio / acrílicas, use pernos fijadores (no incluidos). Inserte las anclas (5) en los agujeros perforados. Quite los soportes (3) de la barra de la pared. Deslice las tapas de cubierta (6) sobre los soportes e inserte los tornillos (7) en el ensamble del soporte/tapa. Fije el ensamble a la pared con tornillos. Deslice la barra de la pared sobre las lengüetas del soporte y fije la unidad de la barra de la pared con los tornillos (8) incluidos. Instale las tapas (9) en los extremos de la barra de la pared.

**INSTALLATION DE LA BARRE COULISSANTE**

**Modèle 57530 :** Glissez le coulisseau (1) sur la barre murale (2). Vous devez placer le coulisseau sur la barre avant de monter celle-ci sur les fixations. Insérez temporairement les fixations (3) dans les rainures de la barre murale. À l'aide d'un niveau, placez la barre murale parfaitement à la verticale et marquez l'emplacement des trous à percer (4). Enlevez la barre et percez les trous de 1/4 po. **Note : Si vous installez la barre sur des carreaux de céramique, percez les trous dans les joints de coulis dans la mesure du possible et insérez des ancrages.** Si la surface est en fibre de verre ou en acrylique, utilisez des boulons à ailettes (non fournis). Insérez les ancrages (5) dans les trous. Retirez les fixations (3) de la barre murale. Glissez les couvercles (6) sur les fixations et introduisez les vis (7) dans les fixations avec leur couvercle. Fixez les fixations avec leur couvercle au mur en serrant les vis. Glissez la barre murale sur les pattes des fixations et fixez-la avec les vis (8) fournies. Installez les capuchons (9) dans les extrémités de la barre murale.

**59210**  
**Series/Series/Seria**



**WALL BAR INSTALLATION**

**Model 59210 -** Slide the slide mechanism (1) onto the bar. The slide mechanism must be on the bar before mounting it to the brackets. Secure mounting posts (2) to wall with anchors (3) and screws (4). **Note: For ceramic tile installation, drill holes in grout (if possible) and insert anchors. For fiberglass/acrylic surfaces, use toggle bolts (not included).** Install end brackets (5) onto slide bar with screws (6). End brackets must be attached before the next step. Place slide bar assembly over mounting posts (2) and secure with set screws (7).

**INSTALACIÓN DE LA BARRA PARA LA PARED**

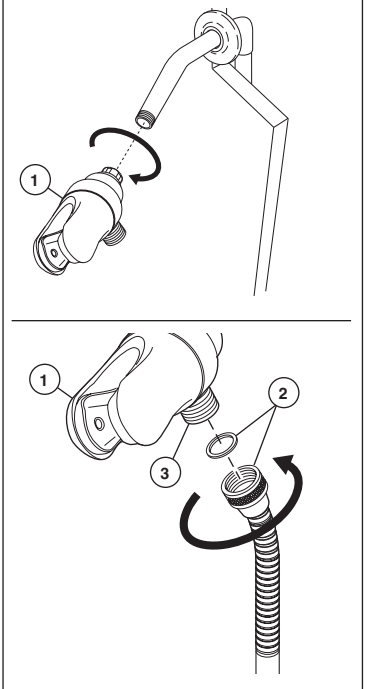
**Modelo 59210 -** Deslice el mecanismo de la diapositiva (1) sobre la barra. El mecanismo de la diapositiva debe ser en la barra antes del montaje él a los soportes. Asegure los postes del montaje (2) a la pared con las anclas (3) y los tornillos (4). **Nota: Para la instalación de la baldosa cerámica, los agujeros de taladro en lechada (si es posible) y las anclas del parte móvil.** Para la fibra de vidrio/las superficies de acrílico, utilice los pernos de palanca (no incluidos). Instale los soportes del extremo (5) sobre barra de diapositiva con los tornillos (6). Los soportes del extremo se deben atar antes del paso siguiente. Ponga el montaje de la barra de diapositiva sobre los postes del montaje (2) y asegúrelo con los tornillos de presión (7).

**INSTALLATION DE LA BARRE COULISSANTE**

**Modèle 59210 -** Glissez le mécanisme de glissière (1) sur la barre. Le mécanisme de glissière doit être sur la barre avant le support lui aux parenthèses. Fixez les poteaux de support (2) au mur avec des ancrés (3) et des vis (4). **Note : Pour l'installation de carreau de céramique, les trous de forêt en coulis (si possible) et les ancrés d'insertion.** Pour la fibre de verre/surfaces acryliques, utilisez les boulons à bascule (non inclus). Installez les parenthèses d'extrémité (5) sur la barre coulissante avec des vis (6). Des parenthèses d'extrémité doivent être attachées avant la prochaine étape. Placez le montage de barre coulissante au-dessus des poteaux de support (2) et le fixez avec des vis de réglage (7).

**Shower Mount**  
**Regadera en la pared**  
**Porte-douche**

**54613 & 56613**  
**Series/Series/Seria**



**SHOWER MOUNT INSTALLATION**

**Models 54510, 54513 -** Remove present shower head. Screw the hand shower bracket (1) to the shower arm. Attach the shower hose and gasket (2) to the threaded connection (3) on the bottom of the bracket.

**INSTALACIÓN DE LA REGADERA EN LA PARED**

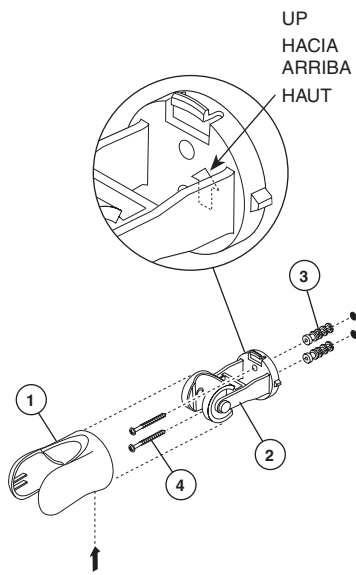
**Modelos 54510 y 54513 -** Quite la cabeza de la regadera existente. Atornille el sujetador de la regadera manual (1) al brazo de la regadera. Conecte la manguera de la regadera y el empaque (2) a la conexión enroscada (3) en la parte inferior del sujetador.

**INSTALLATION DU PORTE-DOUCHE**

**Modèles 54510 et 54513 -** Enlevez la pomme de douche existante. Vissez la fixation de la douche à main (1) au manchon fileté de la douche. Fixez le tuyau souple de la douche et le joint (2) au raccord fileté (3) au bas de la fixation.

## Wall Mount Montaje en la pared Supports Muraux

54510, 54513, 55510, 56510,  
56513, 57510 & 57513  
Series/Series/Seria



### WALL MOUNT BRACKET INSTALLATION

**Models 54510, 54513, 55510, 56510, 56513, 57510 & 57513** - Select wall position for hand shower wall mount based on family's needs. Remove the cover (1) from the bracket (2). Using the bracket (2), mark the 2 holes in the desired location. Remove the bracket and drill 1/4" holes. Insert anchors (3). **Note: For ceramic tile installation, drill holes in grout (if possible) and insert anchors. For fiberglass/acrylic surfaces, use toggle bolts (not included).** Secure the wall bracket with the screws (4) provided. Slide the bracket cover (1) over the bracket.

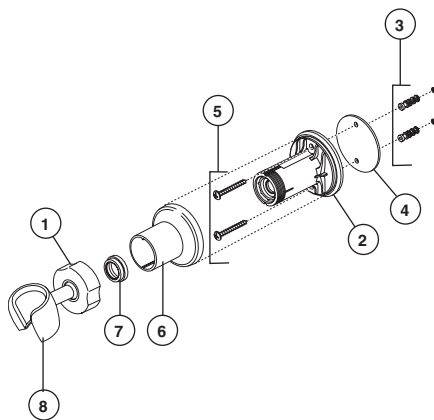
### INSTALACIÓN DEL MONTAJE EN LA PARED

**Modelos 54510, 54513, 55510, 56510, 56513, 57510 y 57513** - Elija la ubicación en la pared para la barra de pared basada en las necesidades de su familia. Quite la cubierta (1) del sujetador (2). Usando el sujetador (2) marque los dos agujeros en el sitio deseado. Quite el sujetador y taladre agujeros de 1/4". Inserte las anclas (3). **Para la instalación en losas de cerámica, taladre los agujeros en la lechada de cemento (si es posible) e introduzca las anclas. En las superficies de vidrio fibroso/acrílico, use tornillos fiadores (no se incluyen).** Fije el soporte de la pared con los tornillos (4) proporcionados. Deslice cada cubierta de los sujetadores sobre (1) el sujetador de pared.

### INSTALLATION DES SUPPORTS MURAUX

**Modèles 54510, 54513, 55510, 56510, 56513, 57510 et 57513** - Choisissez un endroit sur le mur qui convient aux besoins de votre famille. Enlevez le couvercle (1) du support (2). Au moyen du support (2), marquez la position des 2 trous à l'endroit désiré. Retirez le support et percez des trous de 1/4 po. Introduisez des ancrages (3) dans les trous. **Note : pour une installation sur des carreaux de céramique, percez les trous dans le coulis (dans la mesure du possible) et introduisez des ancrages dans les trous. Pour une installation sur des surfaces en fibre de verre et des surfaces en acrylique, utilisez des boulons à ailettes (non inclus).** Fixez le support mural avec les vis (4) fournies. Glissez le couvercle (1) sur le support.

55530 & 57923  
Series/Series/Seria



### WALL MOUNT BRACKET INSTALLATION

**Models 55530 & 57923** - Select wall position for hand shower wall mount based on family's needs. Remove the locknut (1) from the bracket (2). Using the bracket (2), mark the 2 holes in the desired location. Remove the bracket and drill 1/4" holes. Insert anchors (3). **Note: For ceramic tile installation, drill holes in grout (if possible) and insert anchors. For fiberglass/acrylic surfaces, use toggle bolts (not included).** Secure the wall bracket (2) and gasket (4) with the screws (5) provided. Slide the bracket cover (6) over the bracket. Install glide ring (7). Install hand shower mount (8) onto bracket (2). Secure locknut (1).

### INSTALACIÓN DEL MONTAJE EN LA PARED

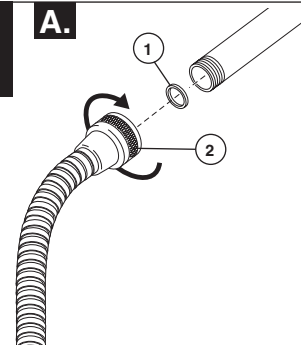
**Modelos 55530 y 57923** - Posición selecta de la pared para el montaje de la pared de la ducha de la mano basado en las necesidades de la familia. Quite la tuerca de fijación (1) del soporte (2). Usando el soporte (2), marque los 2 agujeros en la localización deseada. Quite el soporte y el taladro 1/4" agujeros. Inserte las anclas (3). **Nota: Para la instalación de la baldosa cerámica, los agujeros de taladro en lechada (si es posible) y las anclas del parte móvil. Para la fibra de vidrio/las superficies de acrílico, utilice los pernos de palanca (no incluidos).** Asegure el soporte de pared (2) y la junta (4) con los tornillos (5) proporcionados. Deslice la cubierta del soporte (6) sobre el soporte. Instale el anillo del deslizamiento (7). Instale el montaje de la ducha de la mano (8) sobre el soporte (2). Asegure la tuerca de fijación (1).

### INSTALLATION DES SUPPORTS MURAUX

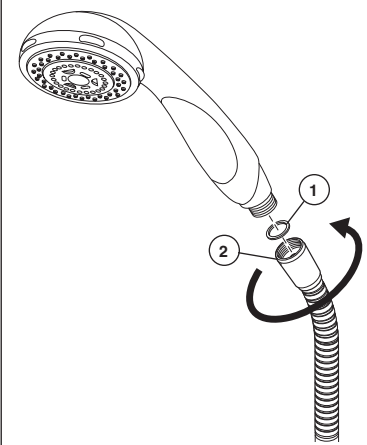
**Modèles 55530 et 57923** - Position choisie de mur pour le bâti de mur de douche de main basé sur les besoins du famille. Enlevez le contre-écrou (1) de la parenthèse (2). Utilisant la parenthèse (2), marquez les 2 trous dans l'endroit désiré. Enlevez la parenthèse et le foret 1/4" ; trous. Insérez les ancrs (3). **Note : Pour l'installation de carreau de céramique, les trous de foret en coulis (si possible) et les ancrs d'insertion. Pour la fibre de verre/surfaces acryliques, utilisez les boulons à bascule (non inclus).** Fixez la parenthèse de mur (2) et la garniture (4) avec les vis (5) fournies. Glissez la couverture de parenthèse (6) au-dessus de la parenthèse. Installez l'anneau de glissement (7). Installez le bâti de douche de main (8) sur la parenthèse (2). Fixez le contre-écrou (1).

2

A.



B.



**A.** Ensure gasket (1) is inserted into the hose (2). Connect the hose to your designated water supply.

**B.** Connect tapered end of hose to hand shower: Seat the gasket (1) firmly into the hose nut (2). Carefully align the thread of the tapered end of the hose (2) directly to the hand shower. **Hand Tighten – do not use a wrench or pliers.** Then place the hand shower into the wall mount holder.

**A.** Asegúrese que el empaque o junta (1) esté introducido dentro de la manguera (2). Conecte la manguera al suministro de agua designado.

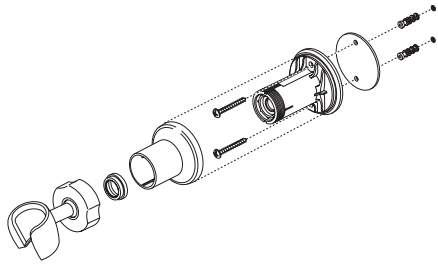
**B.** Conecte el extremo estrecho de la manguera a la regadera manual: Asiente la arandela (1) firmemente en la tuerca de la manguera (2). Cuidadosamente, alinee el enrosque del extremo estrecho de la manguera (2) directamente a la regadera manual. **Apriete a mano – no use llave de tuercas o alicates.** Luego coloque la regadera manual en el sujetador en la barra de la pared.

**A.** Assurez-vous que le joint (1) est inséré dans le tuyau souple (2). Raccordez le tuyau souple au tuyau d'alimentation en eau.

**B.** Raccordez l'embout conique du tuyau souple à la douche à main : Mettez solidement en place la rondelle (1) dans l'écrou (2) du tuyau souple. Alignez soigneusement le filetage de l'embout conique du tuyau souple (2) directement avec la douche à main. **Serrez à la main – n'utilisez pas de clé ni de pince.** Placez ensuite la douche à main dans le porte-douche.

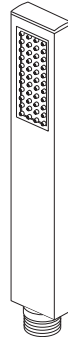


**55530 & 57923  
Series/Series/Seria**



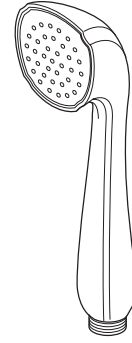
**RP61294▲**  
Mounting Bracket  
Consola de montaje  
Support

**55530 & 57530  
Series/Series/Seria**



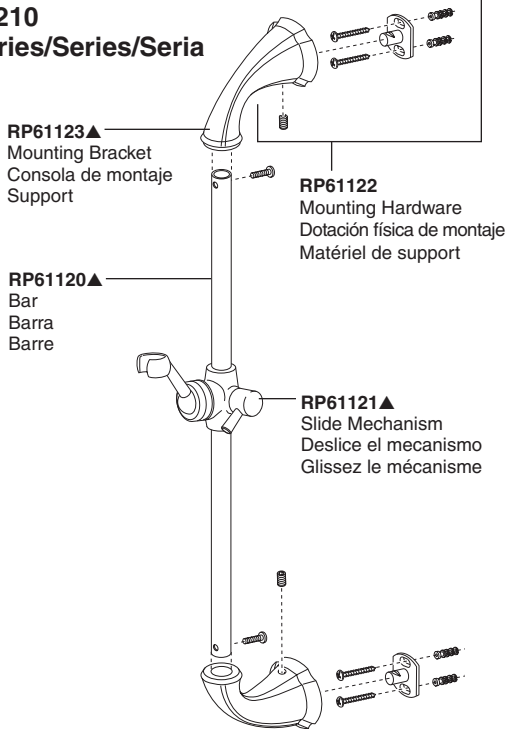
**RP62954▲**  
Hand Held Shower  
Regadera de Mano  
Douche à main

**57923 & 59210  
Series/Series/Seria**



**RP61283▲**  
Hand Held Shower  
Regadera de Mano  
Douche à main

**59210  
Series/Series/Seria**



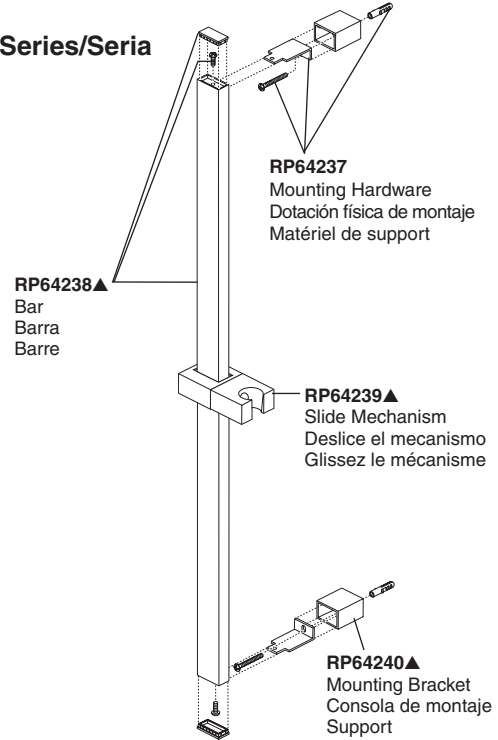
**RP61123▲**  
Mounting Bracket  
Consola de montaje  
Support

**RP61122**  
Mounting Hardware  
Dotación física de montaje  
Matériel de support

**RP61120▲**  
Bar  
Barra  
Barre

**RP61121▲**  
Slide Mechanism  
Deslice el mecanismo  
Glissez le mécanisme

**57530  
Series/Series/Seria**

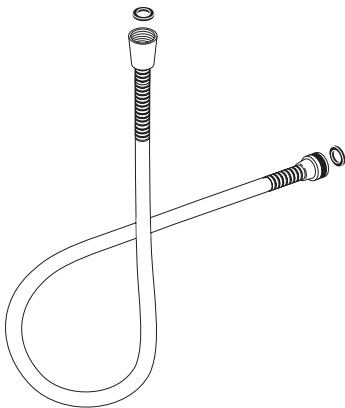


**RP64237**  
Mounting Hardware  
Dotación física de montaje  
Matériel de support

**RP64238▲**  
Bar  
Barra  
Barre

**RP64239▲**  
Slide Mechanism  
Deslice el mecanismo  
Glissez le mécanisme

**RP64240▲**  
Mounting Bracket  
Consola de montaje  
Support



**RP64157▲**  
Hose & Gaskets  
Manguera y Empaques  
Tuyau souple et joints

- ▲ Specify Finish
- ▲ Especificque el Acabado
- ▲ Précisez le Fini

## Backflow Protection System

Your Delta® faucet hand shower incorporates a backflow protection system that has been tested to be in compliance with ASME A112.18.3 and ASME A112.18.1 / CSA B125.1. It incorporates two certified check valves in series, which operate independently and are integral, non-serviceable parts of the wand assembly.

### LIFETIME FAUCET AND FINISH LIMITED WARRANTY

All parts and finishes of the Delta® faucet are warranted to the original consumer purchaser to be free from defects in material & workmanship for as long as the original consumer purchaser owns their home. Delta Faucet Company recommends using a professional plumber for all installation & repair.

Delta will replace, FREE OF CHARGE, during the warranty period, any part or finish that proves defective in material and/or workmanship under normal installation, use & service. Replacement parts may be obtained by calling 1-800-345-DELTA (in the U.S. and Canada) or by writing to:

**In the United States:**  
Delta Faucet Company  
Product Service  
55 E. 111th Street  
Indianapolis, IN 46280

**In Canada:**  
Masco Canada  
Technical Service Centre  
420 Burbrook Place  
London, ON N6A 4L6

This warranty is extensive in that it covers replacement of all defective parts and even finish, but these are the only two things that are covered. LABOR CHARGES AND/OR DAMAGE INCURRED IN INSTALLATION, REPAIR, OR REPLACEMENT AS WELL AS ANY OTHER KIND

OF LOSS OR DAMAGES ARE EXCLUDED. Proof of purchase (original sales receipt) from the original consumer purchaser must be made available to Delta for all warranty claims. THIS IS THE EXCLUSIVE WARRANTY BY DELTA FAUCET COMPANY, WHICH DOES NOT MAKE ANY OTHER WARRANTY OF ANY KIND, INCLUDING THE IMPLIED WARRANTY OF MERCHANTABILITY.

This warranty excludes all industrial, commercial & business usage, whose purchasers are hereby extended a five year limited warranty from the date of purchase, with all other terms of this warranty applying except the duration of the warranty. This warranty is applicable to Delta® faucets manufactured after January 1, 1995.

Some states/provinces do not allow the exclusion or limitation of incidental or consequential damages, so the above limitation or exclusion may not apply to you. Any damage to this faucet as a result of misuse, abuse, or neglect, or any use of other than genuine Delta® replacement parts WILL VOID THE WARRANTY.

This warranty gives you specific legal rights, and you may also have other rights which vary from state/province to state/province. It applies only for Delta® faucets installed in the United States of America, Canada, and Mexico.

© 2010 Masco Corporation of Indiana

## Sistema de protección contra el contraflujo

Su regadera de mano de Delta® incorpora un sistema de protección de contra-flujo que ha sido probado y cumple con ASME A112.18.3 y ASME A112.18.1 / CSA B125.1. Este incorpora en la pieza de mano dos válvulas de retención o checadoras certificadas en una serie, las cuales operan independientemente y son piezas integrantes que no requieren servicio.

### GARANTÍA LIMITADA DE POR VIDA DE LA LLAVE Y SU ACABADO

Todas las piezas y acabados de la llave Delta® están garantizados al consumidor comprador original, de estar libres de defectos de material y fabricación, por el tiempo que el consumidor comprador original sea dueño de su casa. Delta Faucet Company recomienda que use un plomero profesional para todas las instalaciones y reparaciones.

Delta reemplazará, LIBRE DE CARGO, durante el período de garantía, cualquier pieza o acabado que pruebe tener defectos de material y/o fabricación bajo instalación normal, uso y servicio. Piezas de repuesto pueden ser obtenidas llamando al 1-800-345-DELTA (en los Estados Unidos y Canadá) o escribiendo a:

**En los Estados Unidos:**  
Delta Faucet Company  
Product Service  
55 E. 111th Street  
Indianapolis, IN 46280

**En Canada:**  
Masco Canada  
Technical Service Centre  
420 Burbrook Place  
London, ON N6A 4L6

Esta garantía es extensiva en lo que cubre el reemplazamiento de todas las piezas defectuosas y hasta el acabado, pero éstas son las únicas dos cosas que están cubiertas. CARGOS DE LABOR Y/O DAÑOS INCURRIDOS EN LA INSTALACIÓN, REPARACIÓN, O REEMPLAZAMIENTO

COMO TAMBIÉN CUALQUIER OTRO TIPO DE PÉRDIDA O DAÑOS ESTÁN EXCLUIDOS. Prueba de compra (recibo original de venta) del comprador consumidor original debe de ser disponible a Delta para todos los reclamos. ESTA ES LA GARANTÍA EXCLUSIVA DE DELTA FAUCET COMPANY, QUE NO HACE CUALQUIER OTRA GARANTÍA DE CUALQUIER TIPO, INCLUYENDO LA GARANTÍA IMPLÍCITA DE COMERCIALIZACIÓN.

Esta garantía excluye todo uso industrial, comercial y de negocio, a cuyos compradores se les da una garantía limitada extendida de cinco años desde la fecha de compra, con todos los otros términos de esta garantía aplicados, excepto el de duración de ésta. Esta garantía es aplicable a las llaves de Delta® fabricadas después de Enero 1, 1995.

Algunos estados/provincias no permiten la exclusión o limitación de daños incidentales o consecuentes, de manera que la limitación o exclusión arriba escrita puede no aplicarle a usted. Cualquier daño a esta llave, resultado del mal uso, abuso, o descuido, o cualquier otro uso de piezas de repuesto que no sean genuinas de Delta® ANULARÁN LA GARANTÍA.

Esta garantía le da derechos legales específicos, y usted puede, también tener otros derechos que varían de estado/provincia a estado/provincia. Es aplicable sólo a las llaves Delta® instaladas en los Estados Unidos de America, Canada y Mexico.

© 2010 Masco Corporación de Indiana

## Dispositif anti-siphonnage

Votre douche à main Delta® est munie d'un dispositif anti-siphonnement qui est conforme aux normes ASME A112.18.3 et ASME A112.18.1 / CSA B125.1. Ce dispositif se compose de deux clapets indépendants homologués, montés en série dans le tube rigide, qui sont non réparables.

### GARANTIE À VIE LIMITÉE DES ROBINETS ET DE LEURS FINIS

Toutes les pièces et les finis du robinet Delta® sont protégés contre les défauts de matériel et les vices de fabrication par une garantie qui est consentie au premier acheteur et qui demeure valide tant que celui-ci demeure propriétaire de sa maison. Delta recommande de faire appel à un plombier compétent pour l'installation et la réparation du robinet.

Pendant la période de garantie, Delta remplacera GRATUITEMENT toute pièce ou tout fini, présentant une déféctuosité de matériel ou un vice de fabrication pour autant que l'appareil ait été installé, utilisé et entretenu correctement. Pour obtenir des pièces de rechange, veuillez communiquer par téléphone au numéro 1-800-345-DELTA (aux États-Unis ou au Canada) et par écrit à l'une des adresses suivantes :

**Aux États-Unis**  
Delta Faucet Company  
Product Service  
55 E. 111th Street  
Indianapolis, IN 46280

**Au Canada**  
Masco Canada  
Centre de services techniques  
420 Burbrook Place  
London, Ontario N6A 4L6

La présente garantie s'applique au remplacement de toutes les pièces défectueuses, y compris le fini, et elle ne couvre que ces éléments. LES FRAIS DE MAIN-D'OEUVRE ET (OU) LES DOMMAGES PROVOQUÉS AU COURS DE L'INSTALLATION, DE LA RÉPARATION OU DU REMPLACEMENT D'UN ÉLÉMENT AINSI QUE LES PERTES OU DOMMAGES DE TOUTE

AUTRE NATURE NE SONT PAS COUVERTS PAR LA GARANTIE. Toute réclamation en vertu de la présente garantie doit être adressée à Delta, accompagnée de la preuve d'achat (original de la facture) du premier acheteur. CETTE GARANTIE EST LA SEULE OFFERTE PAR DELTA FAUCET COMPANY OU DELTA FAUCET CANADA, SELON LE CAS. ELLE EXCLUT TOUTE AUTRE GARANTIE, Y COMPRIS LA GARANTIE IMPLÍCITE DE QUALITÉ MARCHANDE.

Les robinets installés dans un établissement industriel ou commercial ou dans une place d'affaires sont protégés par une garantie étendue de cinq ans qui prend effet à compter de la date d'achat. Toutes les autres conditions de la garantie de cinq ans sont identiques à celle de la présente garantie. La présente garantie s'applique à tous les robinets Delta® fabriqués après le 1er janvier 1995.

Dans les États ou les provinces où il est interdit d'exclure ou de limiter les responsabilités à l'égard des dommages indirects ou fortuits, les exclusions et les limites susmentionnées ne s'appliquent pas. Les dommages résultant d'une mauvaise utilisation, d'une utilisation abusive de la négligence ou de l'utilisation de pièces autres que des pièces d'origine Delta® RENDENT LA GARANTIE NULLE ET SANS EFFET.

La présente garantie vous donne des droits précis qui peuvent varier selon votre lieu de résidence. Elle ne s'applique qu'aux robinets Delta® installés aux États-Unis, au Canada et au Mexique.

© 2010 Division de Masco Indiana