



# MultiChoice® Valve Trim with Diverter Installation Instructions

## Owners Manual

T27T859, T27T867, T27T897,  
T27T959, T27T967 and  
T27T997 Series

84893

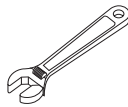
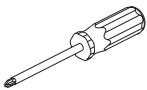
T27T Series

T27T Series

T27T Series

Write purchased model number here.

### You May Need



### Table of Contents:

Warranties .....	Page 2
Installation Instructions .....	Pages 3 - 6
Clean and care .....	Page 7
Maintenance .....	Page 7
Cartridge Summary Reference Sheet .....	Page 7
Replacement Parts .....	Page 9 - 12

To order replacement parts, visit [www.deltafaucet.com](http://www.deltafaucet.com)

**CAUTION:** This system/device must be set by the installer to ensure safe, maximum temperature. Any change in the setting may raise the discharge temperature above the limit considered safe and may lead to hot water burns.

**NOTICE TO INSTALLER: CAUTION!**—As the installer of this valve, it is your responsibility to properly **INSTALL** and **ADJUST** this valve per the instructions given. This valve does not automatically adjust for inlet temperature changes, therefore, someone must make the necessary temperature knob adjustments at the time of installation and further adjustments may be necessary due to seasonal water temperature change. **YOU MUST** inform the owner/user of this requirement by following the instructions. If you or the owner/user are unsure how to properly make these adjustments please refer to page 5 and if still uncertain, call us at 1-800-345-DELTA.

After installation and adjustment, you must affix your name, company name and the date you adjusted the temperature knob to the caution

label provided and apply or attach the label to the back side of the closest cabinet door and the warning label to the water heater. **Leave this Instruction Sheet for the owner's/user's reference. WARNING:** This pressure balanced or thermostatic bath valve is designed to minimize the effects of outlet water temperature changes due to inlet pressure changes, commonly caused by dishwashers, washing machines, toilets and the like. It may not provide protection from hot water burns when there is a failure of other temperature controlling devices elsewhere in the plumbing system, if the temperature knob is not properly set or if the hot water temperature is changed after the settings are made or if the water inlet changes due to seasonal changes. **WARNING:** Do not install a shut-off device on either outlet of this valve. When this type of device shuts off the water flow, it can defeat the ability of the valve to balance the hot and cold water pressures.

# Lifetime Faucet and Finish Limited Warranty

## Parts and Finish

All parts (other than electronic parts and batteries) and finishes of this Delta® faucet are warranted to the original consumer purchaser to be free from defects in material and workmanship for as long as the original consumer purchaser owns the home in which the faucet was first installed or, for commercial users, **for 5 years from the date of purchase.**

## Electronic Parts and Batteries (if applicable)

Electronic parts (other than batteries), if any, of this Delta® faucet are warranted to the original consumer purchaser to be free from defects in material and workmanship for 5 years from the date of purchase or, for commercial users, for one year from the date of purchase. No warranty is provided on batteries.

Delta Faucet Company will replace, **FREE OF CHARGE**, during the applicable warranty period, any part or finish that proves defective in material and/or workmanship under normal installation, use and service. If repair or replacement is not practical, Delta Faucet Company may elect to refund the purchase price in exchange for the return of the product. **These are your exclusive remedies.**

Delta Faucet Company recommends using a professional plumber for all installation and repair. We also recommend that you use only genuine Delta® replacement parts.

Delta Faucet Company shall not be liable for any damage to the faucet resulting from misuse, abuse, neglect or improper or incorrectly performed installation, maintenance or repair, including failure to follow the applicable care and cleaning instructions.

Replacement parts may be obtained by calling the applicable number below or by writing to:

## In the United States and Mexico:

Delta Faucet Company  
Product Service  
55 E. 111th Street  
Indianapolis, IN 46280  
1-800-345-DELTA (3358)  
customerservice@deltafaucet.com

## In Canada:

Masco Canada Limited, Plumbing Group  
Technical Service Centre  
350 South Edgeware Road  
St. Thomas, Ontario, Canada N5P 4L1  
1-800-345-DELTA (3358)  
customerservice@mascocanada.com

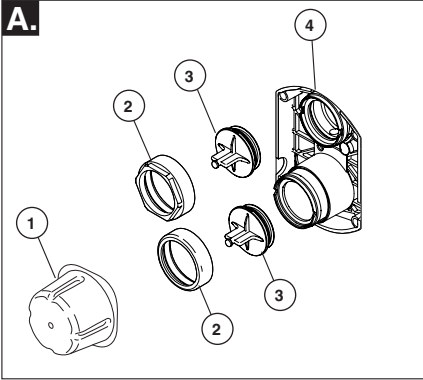
Proof of purchase (original sales receipt) from the original purchaser must be made available to Delta Faucet Company for all warranty claims unless the purchaser has registered the product with Delta Faucet Company. This warranty applies only to Delta® faucets manufactured after January 1, 1995 and installed in the United States of America, Canada and Mexico.

DELTA FAUCET COMPANY SHALL NOT BE LIABLE FOR ANY SPECIAL, INCIDENTAL OR CONSEQUENTIAL DAMAGES (INCLUDING LABOR CHARGES) FOR BREACH OF ANY EXPRESS OR IMPLIED WARRANTY ON THE FAUCET. Some states/provinces do not allow the exclusion or limitation of special, incidental or consequential damages, so these limitations and exclusions may not apply to you. This warranty gives you special legal rights. You may also have other rights which vary from state/province to state/province.

This is Delta Faucet Company's exclusive written warranty and the warranty is not transferable.

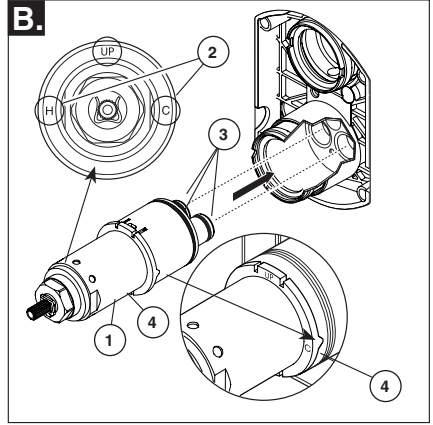
If you have any questions or concerns regarding our warranty, please view our Warranty FAQs at [www.deltafaucet.com](http://www.deltafaucet.com), email us at [customerservice@deltafaucet.com](mailto:customerservice@deltafaucet.com) or call us at the applicable number above.

## 1 Cartridge Installation



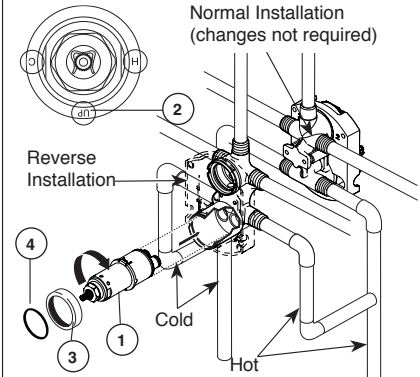
**Turn off water supplies.** Remove cover (1), bonnet nuts (2) and test caps (3) from the rough-in body (4).

Place a bucket or small container over the front of the valve body and slowly open the water supplies to flush any debris from the supply lines before installing the cartridge. Turn the water supplies back off.



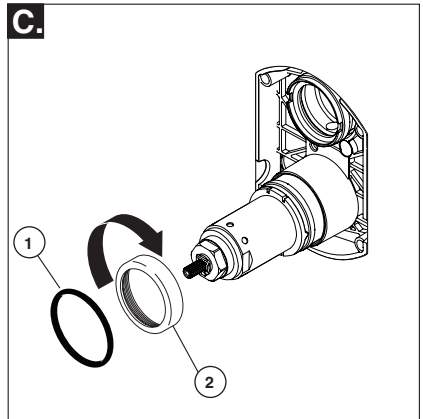
Rotate the valve cartridge (1) so that "H" (2) is on the hot side and the "C" (2) is on the cold side. Add silicone lube to the three o-rings (3) shown above to make the cartridge easier to install and remove from the valve body. Insert cartridge into valve body as shown. Ensure the keys on the body are fully engaged with the slots in the body (4). A light coating of plumbers grease applied to o-rings may aid in assembly..

### Back to back Installation



For the exceptions of back to back or reverse installations (hot on right and cold on left) only: Rotate valve cartridge (1) so "H" is on the hot side and "C" is on the cold side and the word "UP" (2) appears on the bottom. Apply silicone lube to the three o-rings shown above to make the cartridge easier to install and remove from the rough-in body.

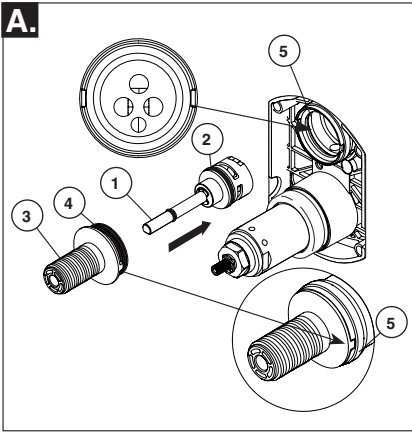
Install the cartridge making sure that the keys are fully engaged with the slot in the rough-in body (see step B). Slide o-ring (3) and bonnet nut (4) over the cartridge and thread onto the rough-in body. Hand tighten securely.



Thread bonnet nut (2) onto cartridge. Hand tighten securely. Slide o-ring (1) over the cartridge and bonnet.

# Installation

## 2 Diverter Cartridge Installation



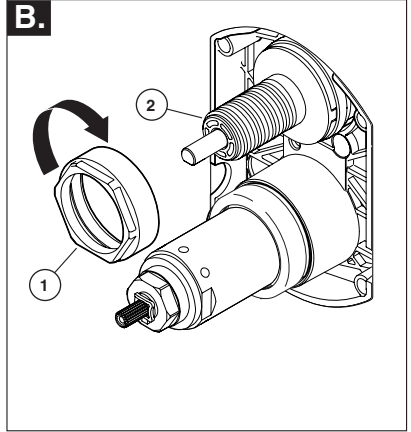
### For Diverter Cartridge Installation:

Apply silicone lube to the o-ring (2) to make the diverter sleeve (3) easier to install diverter cartridge.

Rotate the diverter cartridge (1) so the pin is at the bottom for proper installation.

Apply silicone lube to the o-rings (4) to make the diverter sleeve (3) easier to install diverter cartridge.

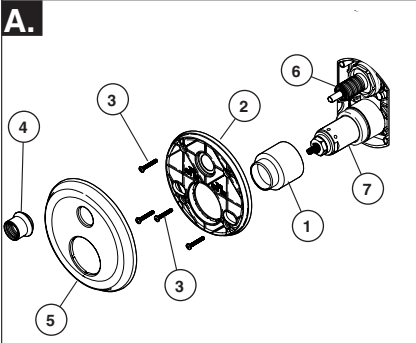
Align diverter sleeve so that the notches are in the same position as the notches on rough-in body (5).



### Diverter Bonnet Installation

Slide bonnet nut (1) over diverter sleeve (2) and thread into rough-in body. Hand tighten securely.

## 3 Trim Installation



### Escutcheon Installation

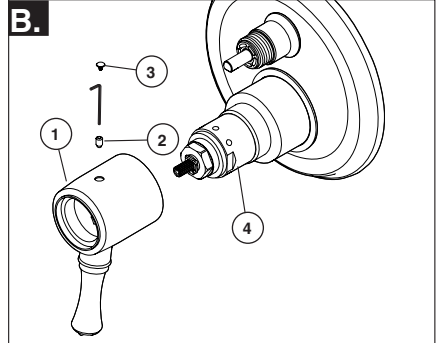
For finished walls up to 1 1/8". Install trim sleeve (1) over valve cartridge (7) and bonnet. Secure backplate (2) to rough-in body using 4 screws (3) provided.

**Note: Be sure backplate is oriented front side forward and markings are visible.**

Holding escutcheon (5) in place, thread trim nut (4) onto diverter sleeve (6).

**Note: For thick wall installations, order installation kit RP90544 to support finished wall thickness up to 2 1/8".**

On rough or uneven surfaces it is necessary to apply caulk around the backplate (2) to supplement the seal. Do not caulk the drip notch in the bottom of the backplate (2). Do not caulk the escutcheon (5).



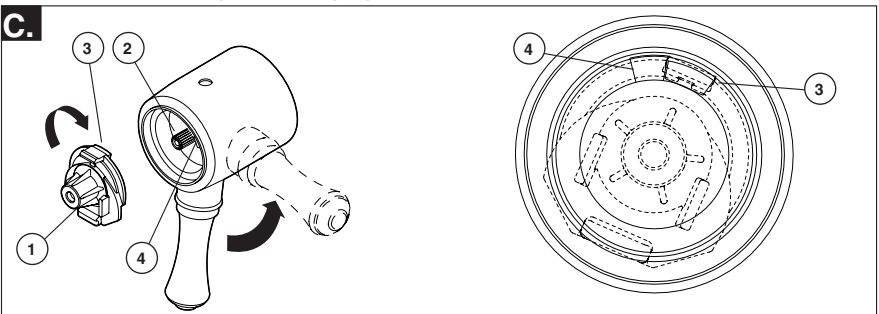
### Volume Handle Installation

Install valve handle (1) over cartridge (4), screw in set screw (2) using an allen wrench.

Place set screw cover (3) over set screw and apply pressure until cover is properly seated.

## Installation and Adjustment of the Temperature Knob

**Failure to do so may cause injury.**



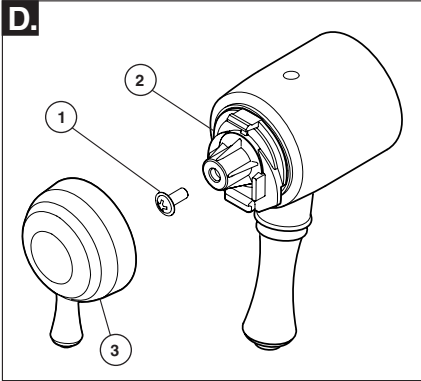
### Adjust temperature limit stop

Turn on water supplies; LET THE WATER RUN AT BOTH FULL HOT AND FULL COLD TO ENSURE THE WATER IS RUNNING AS HOT/COLD AS POSSIBLE. Place a thermometer in a plastic tumbler, and hold the tumbler in the water stream. Place the temperature knob (1) onto the splines (2), then rotate the temperature knob until you achieve your maximum desired temperature from the outlet

(not more than 120° or the lower temperature mandated by your local plumbing code). Remove the temperature knob and replace onto the splines (2), making sure that the temperature knob limit stop (3) hits against the volume handle limit stop (4) as shown.

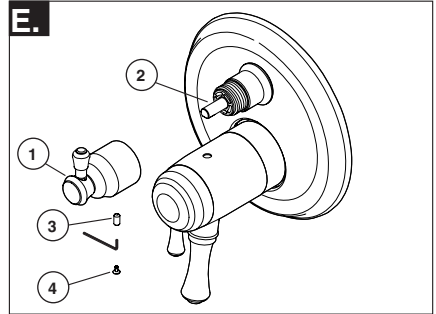
# Installation

## 4 Valve Trim Installation



### Temperature handle Installation

Secure temperature control knob (2) with screw (1). Snap temperature handle (3) onto temperature knob (2).



### Diverter Handle Installation

Slide diverter handle (1) onto diverter cartridge stem (2), ensure that handle aligns with cartridge stem.

Install set screw (3) using an allen wrench, place set screw cover (4) over set screw and apply pressure until cover is properly seated.

- 5** Potential scald or thermal shock injury could result due to cross flow if outlet at the shower is blocked or restricted (e.g., pause control on showerhead). Be sure to point showerhead away from you when re-starting flow or install inlet check valves on both supply lines to prevent possible injury.

## Cleaning and Care

Care should be given to the cleaning of this product. Although its finish is extremely durable, it can be damaged by harsh abrasives or polish. To clean, simply wipe gently with a damp cloth and blot dry with a soft towel.

## Maintenance

### Cannot receive more than a trickle of water:

Both hot and cold supply lines must be pressurized. If only one side is pressurized, the system will not allow adequate flow of water.

**Faucet leaks from showerhead:** Remove the showerhead then turn the water on and off to verify if the cartridge is leaking or the showerhead is draining slowly (the showerhead may need to be cleaned if water drains slowly).

**If leak persists -SHUT OFF WATER SUPPLIES**  
Replace cartridge assembly - RP47201.

**Unable to set or maintain mixed water temperature:**  
SHUT OFF WATER SUPPLIES. Remove handle assembly, trim sleeve, and bonnet nut. Check to make sure the "H" marking on the cartridge aligns with the hot inlet and the "C" marking on the cartridge aligns with the cold inlet to the valve body. The thermostatic cartridge cannot function if hot and cold inlets are reversed.

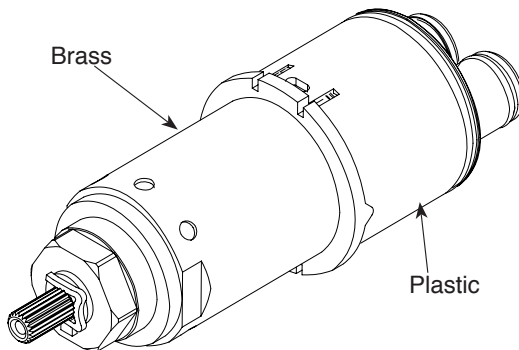
**Low flow:** Low flow may be caused by clogged screens within the thermostatic cartridge.

To clean the hot and cold screens in the cartridge, follow the steps below:

1. SHUT OFF WATER SUPPLIES.
2. Remove the handle assembly.
3. Unscrew the hex shaped portion of the cartridge.
4. Carefully clean any debris from the screens under running water. If the debris is difficult to remove then soak the screens overnight in a 50% water and 50% vinegar solution.
5. Reassemble the cartridge.
6. Replace the handle.
- 7 Turn the water back on.
8. Reset the limit stop before using the valve.

## Cartridge Summary Reference Sheet

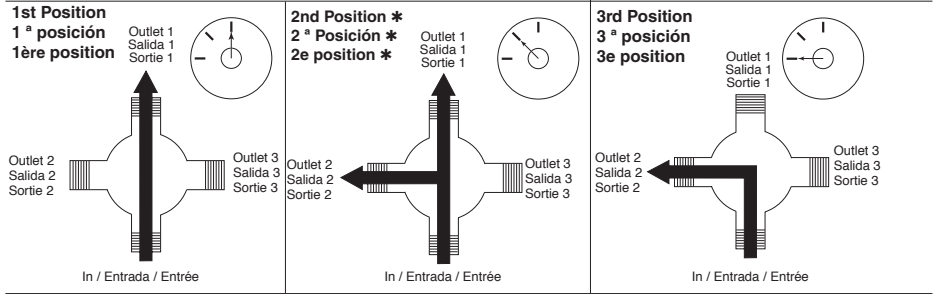
T27T



**Order RP47201 to  
Replace Cartridge.**

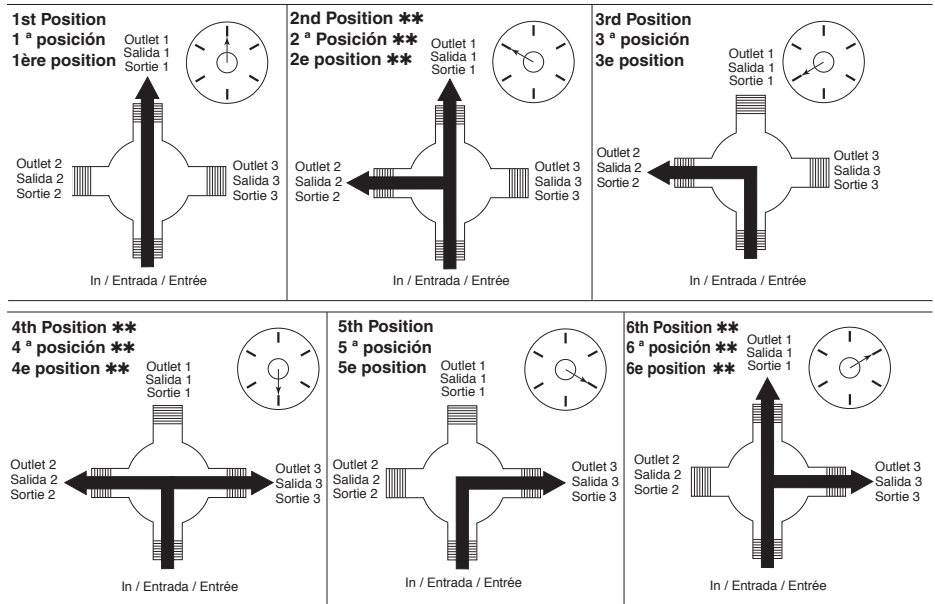
# Diverter Handle Reference Sheet

## Water Flow For 3 Function Diverter / Flujo de agua para Desviadores de 3 posiciones / Écoulement de l'eau pour les inverseurs à 3 positions



- \* Shared positions do not exist in non-shared cartridges.
- \* Los ajustes o posiciones compartidas no existen en los cartuchos no-compartidos.
- \* Comme leur nom l'indique, les cartouches sans position partagée ne comportent aucune position partagée.

## Water Flow For 6 Function Diverter / Flujo de agua para Desviadores de 6 posiciones / Écoulement de l'eau pour les inverseurs à 6 positions



- \*\* Shared positions do not exist in non-shared cartridges.
- \*\* Los ajustes o posiciones compartidas no existen en los cartuchos no-compartidos.
- \*\* Comme leur nom l'indique, les cartouches sans position partagée ne comportent aucune position partagée.





# Ajuste o accesorio de la válvula MultiChoice® con instrucciones de instalación del desviador

## Manual del propietario

T27T859, T27T867, T27T897,  
T27T959, T27T967 and  
T27T997 Series

84893

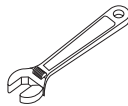
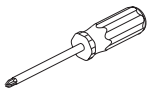
T27T Series

T27T Series

T27T Series

Escriba el número del modelo comprado.

### Puede requerir



### Table of Contents:

Garantías es .....	Página 2
Instrucciones para la instalación .....	Páginas 3 - 6
Limpieza y cuidado .....	Página 7
Mantenimiento .....	Página 7
Hoja de referencia del resumen del cartucho .....	Página 7
Piezas de repuesto .....	Página 9 - 12

Para ordenar las piezas de repuesto use, visítenos [www.deltafaucet.com](http://www.deltafaucet.com)

**ADVERTENCIA:** Este sistema/dispositivo debe estar configurado por el instalador para asegurar una temperatura máxima segura. Cualquier cambio en el ajuste puede aumentar la temperatura de descarga por encima del límite considerado seguro y puede resultar en quemaduras por agua caliente.

**AVISO PARA EL INSTALADOR:** Esta válvula no se ajusta automáticamente a los cambios de temperatura de entrada, por lo tanto, alguien debe hacer los ajustes necesarios con la perilla de control de temperatura en el momento de la instalación y ajustes adicionales pueden ser necesarios debido a cambios estacionales de la temperatura del agua. **USTED DEBE** informar al propietario/ usuario de este requisito siguiendo las instrucciones. Si usted o el dueño/consumidor no está seguro de como hacer estos ajustes, consulte la página 5 y si aún tiene duda, llámenos al 1-877-345-DELTA.

Después de la instalación y el ajuste, debe colocar su nombre, nombre de la empresa y la fecha en que ajustó la perilla de control de la temperatura a la etiqueta de precaución proporcionada y aplique o pegue la etiqueta en la parte trasera de la puerta del armario más cercano y la etiqueta de advertencia al calentador de agua.

**Deje esta hoja de instrucciones para referencia del propietario /usuario.** **ADVERTENCIA:** Esta válvula de presión balanceada o termostática de baño está diseñada para minimizar los efectos de los cambios

de temperatura del agua de salida debido a cambios de presión y temperatura, causados habitualmente por los lavaplatos, las lavadoras, los inodoros y otros aparatos similares. Puede no ofrecer protección contra las quemaduras por agua caliente cuando hay un fallo de otros dispositivos para el control de temperatura en otras partes del sistema de plomería, si la perilla para el control de la temperatura no está configurada correctamente o si se cambia la temperatura del agua caliente después de realizar los ajustes o si el agua admisión cambia debido a los cambios estacionales. **ADVERTENCIA:** No instale un dispositivo de cierre en cualquiera de las tuberías de salida de agua de esta válvula. Cuando este tipo de dispositivo cierra el flujo del agua, pueda aminorar el propósito de la válvula para balancear las presiones del agua caliente y fría.

## Garantía limitada de por vida de la llave de agua y acabado

### Piezas y Acabado

Todas las piezas (menos las piezas electrónicas y las pilas) y acabados de esta llave de agua - grifo Delta® están garantizados al consumidor comprador original, de estar libres de defectos en materiales y mano de obra durante el tiempo que el comprador original sea dueño de la casa en la cual la llave de agua fue instalada por primera vez o, **para los usuarios comerciales, por cinco (5) años desde la fecha de compra.**

### Piezas electrónicas y las baterías/pilas (si aplicable)

Las piezas electrónicas (excepto las pilas/baterías), si es el caso, de este grifo Delta® están garantizadas al consumidor comprador original, de estar libres de defectos en materiales y mano de obra durante 5 años desde la fecha de compra o, para los usuarios comerciales, durante un año desde la fecha de compra. La garantía no cubre las baterías/pilas.

Delta Faucet Company reparará o reemplazará, SIN COSTO ALGUNO, durante el período de garantía aplicable, cualquier pieza o acabado que presente defectos en materiales y/o mano de obra bajo instalación, uso y servicio normal. Si la reparación o sustitución no es práctica, Delta Faucet Company podrá optar reintegrarle el precio de la compra a cambio de la devolución del producto. **Estos son sus únicos recursos.**

Delta Faucet Company recomienda que use un plomero profesional para todas las instalaciones y reparación. También recomienda que utilice sólo piezas de repuesto Delta®.

Delta Faucet Company no será responsable de cualquier daño a la llave de agua/grifo resultante del uso indebido, abuso, negligencia o uso inapropiado o instalación realizada de forma incorrecta, mantenimiento o reparación, incluyendo el no seguir las instrucciones de cuidado y limpieza aplicables.

Las piezas de repuesto se pueden obtener llamando al número que figura más abajo o escribiendo a:

### En los Estados Unidos y Mexico:

Delta Faucet Company  
Product Service  
55 E. 111th Street  
Indianapolis, IN 46280  
1-800-345-DELTA (3358)  
customerservice@deltafaucet.com

### En Canadá:

Masco Canada Limited, Plumbing Group  
Technical Service Centre  
350 South Edgeware Road  
St. Thomas, Ontario, Canada N5P 4L1  
1-800-345-DELTA (3358)  
customerservice@mascocanada.com

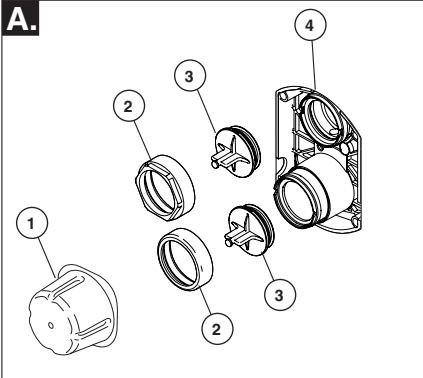
La prueba de compra (recibo original de venta) del comprador original debe ponerse a la disposición de Delta Faucet Company para todos los reclamos de garantía a menos que el comprador haya registrado el producto con Delta Faucet Company. Esta garantía se aplica solamente a las llaves de agua/grifos Delta® fabricadas después de 1 de enero de 1995 e instalados en los Estados Unidos de América, Canadá y México.

DELTA FAUCET COMPANY NO SERÁ RESPONSABLE POR DAÑOS ESPECIALES, INCIDENTALES O CONSECUENTES (INCLUYENDO CARGOS DE LABOR) YA SEAN RESULTANTES DEL INCUMPLIMIENTO DE CUALQUIER GARANTÍA EXPRESA O IMPLÍCITA DE LA LLAVE DE AGUA/GRIFO. Algunos estados/provincias no permiten la exclusión o limitación de daños especiales, incidentales o consecuentes, por lo que estas limitaciones y exclusiones pueden no aplicarle en su caso. Esta garantía le otorga derechos legales especiales, y usted también puede tener otros derechos que varían de estado/provincia a estado/provincia.

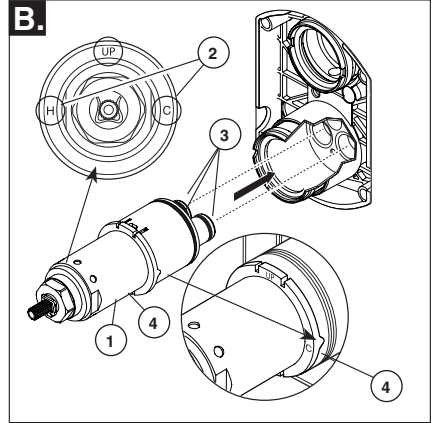
Esta es la garantía exclusiva por escrito de Delta Faucet Company, y la garantía no es transferible.

Si usted tiene alguna pregunta o inquietud acerca de nuestra garantía, por favor vea nuestra sección de Preguntas Frecuentes sobre la garantía en [www.deltafaucet.com](http://www.deltafaucet.com), o envíenos un email a [customerservice@deltafaucet.com](mailto:customerservice@deltafaucet.com) o al número e teléfono arriba que le aplique.

## 1 Instalación del cartucho

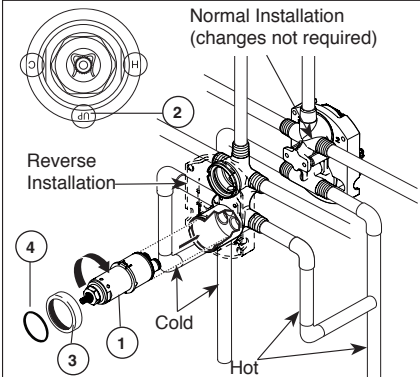


**Cierre los suministros de agua.** Quite la tapa (1), las tuercas tapas (2) y las tapas de prueba (3) del cuerpo de la tubería preliminar detrás de la pared (4). Coloque una cubeta o recipiente pequeño sobre el frente del cuerpo de la válvula y abra lentamente los suministros de agua para eliminar cualquier residuo de las líneas de suministro antes de instalar el cartucho. Cierre otra vez el agua de suministro.



Gire el cartucho de válvula (1) de modo que la "H" (2) esté en el lado caliente y la "C" (2) esté en el lado frío. Agregue lubricante de silicona a las tres juntas tóricas (3) que se muestran arriba para facilitar la instalación del cartucho y retirar del cuerpo de la válvula. Inserte el cartucho en el cuerpo de la válvula como se muestra. Asegúrese de que los dentados en el cuerpo están totalmente encajados en las ranuras en el cuerpo (4). La aplicación de una ligera capa de grasa de plomeros a las juntas tóricas puede facilitar el montaje.

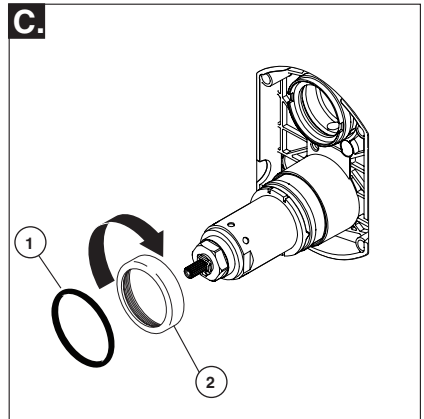
### Instalación dorso con dorso



Solo para las excepciones de dorso con dorso o instalaciones inversas (caliente en la derecha y fría en la izquierda): Gire el cartucho de la válvula (1) de forma que "HOT COLD" (2) aparezcan abajo.

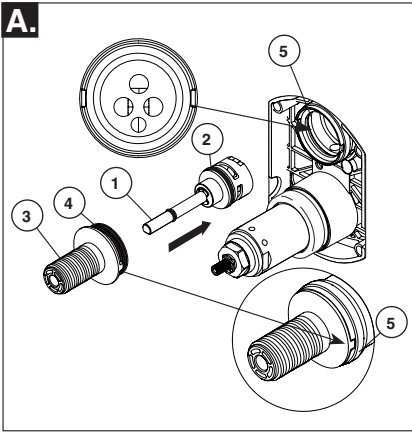
Aplique lubricante de silicona en las tres juntas tóricas mostradas para facilitar la instalación del cartucho y quitar del cuerpo de la tubería preliminar. Instale el cartucho asegurándose de que los dentados están totalmente encajados en la ranura en el cuerpo de la tubería preliminar (véase el paso B).

Deslice la junta tórica (3) y la tuerca tapa (4) sobre el cartucho y enrosque en el cuerpo de la tubería preliminar. Apriete con la mano de forma segura.



Enrosque la tuerca tapa (2) en el cartucho. Apriete a mano de forma segura. Deslice la junta tórica (1) sobre el cartucho y el casquete.

## 2 Instalación del cartucho desviador

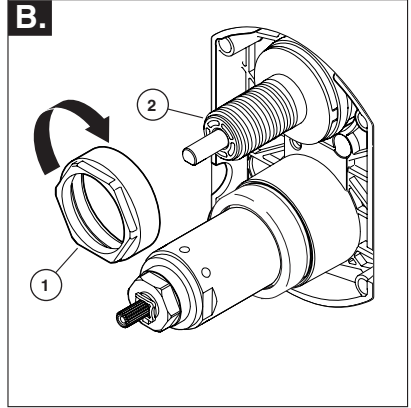


### PARA LA INSTALACIÓN DEL CARTUCHO DE DESVÍO:

Aplique lubricante de silicona a la junta tórica (2) para facilitar la instalación del cartucho desviador con el casquillo desviador (3).

Gire el cartucho desviador (1) de manera que el pasador esté en la parte inferior para su instalación correcta.

Aplique lubricante de silicona a las juntas tóricas (4) para facilitar el casquillo desviador (3) más fácil de instalar el cartucho de desvío. Alinee el casquillo desviador (3) de manera que las lengüetas estén en la misma posición que las ranuras en el cuerpo de la tubería preliminar (5).

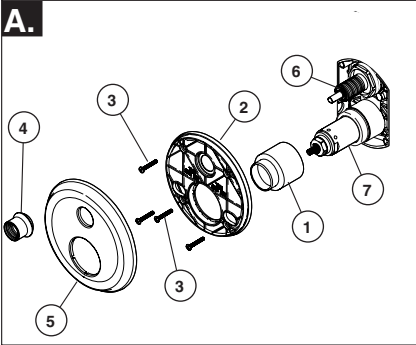


### Instalación Del desviador De bonete

Deslice la tuerca tapa (1) sobre el casquillo desviador (2) y atorníllelo en el cuerpo de la tubería preliminar

Apriete con la mano de forma segura.

## 3 Instalación de los accesorios



### Instalación del chapetón

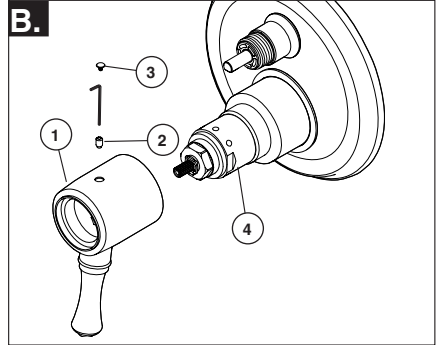
Para paredes acabadas de un grosor hasta 1 1/8". Instale el casquillo del accesorio (1) sobre el cartucho de la válvula (7) y el casquete. Fije la placa posterior (2) al cuerpo de la unidad de la tubería preliminar usando los 4 tornillos (3) proporcionados.

**Nota: asegúrese que la placa trasera está colocada con el frente hacia adelante y con las marcas visibles.**

Sujetando el chapetón (5) en su sitio, enrosque la tuerca del accesorio (4) en el casquillo del desviador (6).

**Nota: para instalaciones en paredes gruesas, ordene el juego de piezas RP90544 para soporte de la pared acabada hasta de 2 1/8" de grosor.**

En superficies rugosas o desiguales, es necesario aplicar masilla alrededor de la placa posterior (2) para complementar el sello. No calafatee la muesca de goteo en la parte inferior de la chapa posterior (2). No calafatee el chapetón (5).

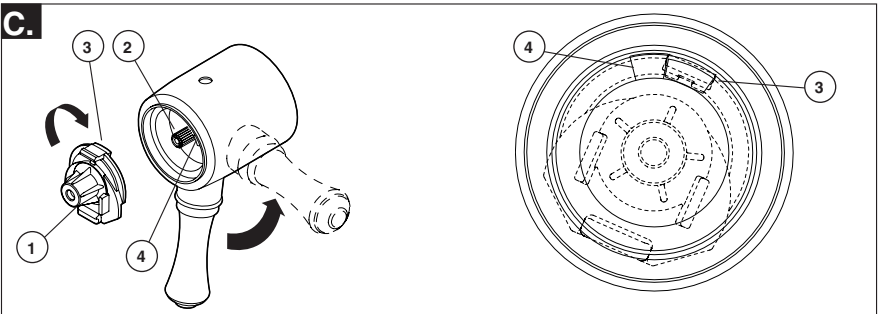


### Instalación de la manija para el volumen

Instale la manija de la válvula (1) sobre el cartucho (4), atornille el tornillo de fijación (2) con una llave allen. Coloque la tapa del tornillo de fijación (3) sobre el tornillo de fijación (1) y aplique presión hasta que quede bien asentada.

## La instalación y el ajuste de la perilla de temperatura

**El no hacerlo puede causar lesiones**



### ¡Ajuste el tope del límite de la temperatura!

Abra los suministros de agua; **DEJE QUE EL AGUA CALIENTE Y FRÍA FLUYA PARA ASEGURAR QUE EL AGUA CORRA LO MÁS CALIENTE/FRÍA POSIBLE.**

Coloque un termómetro en un vaso plástico, y sostenga el vaso bajo el chorro de agua.

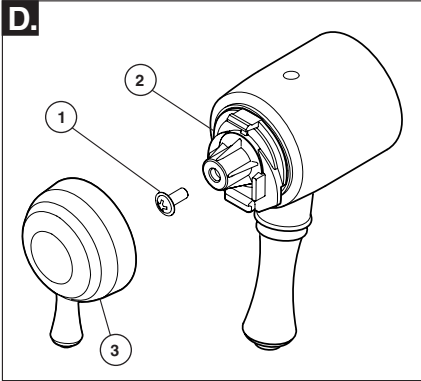
Coloque la perilla del control de la temperatura (1) en las ranuras (2) y gire la manija de temperatura hasta que logre

su máxima temperatura deseada de la toma de agua (no más de 120° o la temperatura más baja autorizada por su código local de plomería).

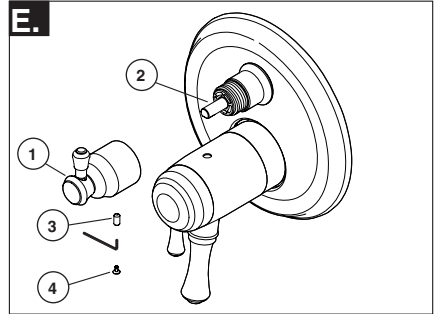
Retire la manija y la perilla de temperatura, y vuelva a colocar en las ranuras (2) asegurándose de que la perilla del tope del control de la temperatura (3) tiene contacto con la manija del tope del límite del volumen (4) como se muestra.

# Instalación

## 4 Instalación de los accesorios



**Instalación de la manija del control de la Temperatura**  
Fije la perilla (2) del control de temperatura con el tornillo (1). Coloque a la manija de temperatura (3) en la perilla del control de temperatura (2).



### Instalación de la manija del

desviador (1) sobre la manga de la espiga del desviador (2), asegure que la manija está en línea con la espiga del cartucho. Inserte el tornillo de fijación (3) usando una llave allen, en la manija (1). Aplicando presión, inserte la tapa del tornillo de ajuste (4) hasta que esté correctamente asentada.

**4** Existe la posibilidad de lesión por escaldadura o de choque térmico resultante de un flujo cruzado en el caso que la salida de la regadera/ducha está bloqueada o restringida (por ejemplo, pause el control de la cabeza de la regadera/ducha). Asegúrese de apuntar la regadera/ducha alejado de usted cuando vuelva a iniciar el flujo o instale las válvulas de retención de la entrada en ambas líneas de suministro para evitar posibles lesiones.

## Cleaning and Care

Tenga cuidado al ir a limpiar este producto, Aunque su acabado es sumamente durable, puede ser afectado por agentes de limpieza o para pulir abrasivos. Para limpiar su llave, simplemente frótele con un trapo húmedo y luego séquela con una toalla suave.

## Mantenimiento

### No puede recibir más de fino chorro de agua:

ambas líneas de suministro, caliente y fría, deben estar presurizadas. Si se presuriza solamente un lado, el sistema no permitirá que salga un flujo adecuado de agua.

### La llave tiene filtraciones/fugas de agua desde la

regadera: Retire la cabeza de la regadera y luego abra y cierre el agua para verificar si el cartucho tiene una fuga o la regadera se está drenando lentamente (la cabeza de la regadera puede requerir limpieza si el agua se drena lentamente).

**Si persiste la fuga – CIERRE LOS SUMINISTROS DE AGUA** Reemplace del ensamble del cartucho - RP47201.

### No se puede establecer o mantener la temperatura del agua mixta:

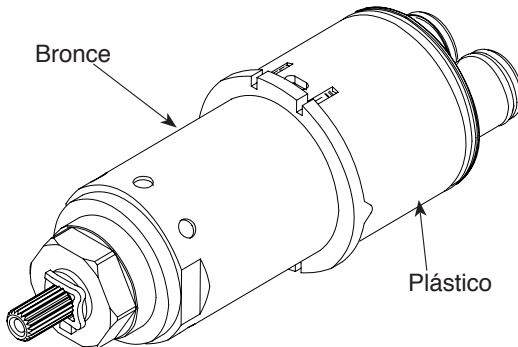
**CIERRE LOS SUMINISTROS DE AGUA.** Retire el ensamble de la manija, el casquillo del accesorio, y la tuerca tapa. Examine para asegurarse de que la marca "H" en el cartucho está en línea con la entrada de agua caliente y la marca "C" en el cartucho se alinea con la entrada de agua fría al cuerpo de la válvula. La válvula termostática de cartucho no puede funcionar si las entradas de agua caliente y fría se invierten.

**Flujo bajo:** el flujo bajo puede ser por causa de obstrucción en los filtros dentro del cartucho termostático. Para limpiar los filtros del agua caliente y fría en el cartucho, siga los siguientes pasos:

1. CIERRE LOS SUMINISTROS DE AGUA
2. Retire el ensamble de la manija
3. Desatornille la parte en forma hexagonal del cartucho.
4. Limpie cuidadosamente cualquier residuo de los filtros bajo el chorro de agua. Si es difícil limpiar, entonces remójelos durante la noche en una solución de 50% agua y 50% vinagre.
5. Reensamble el cartucho.
6. Vuelva a colocar la manija.
7. Vuelva a abrir el agua.
8. Vuelva a configurar el tope antes de usar la válvula.

## Hoja de resumen de referencia del cartucho

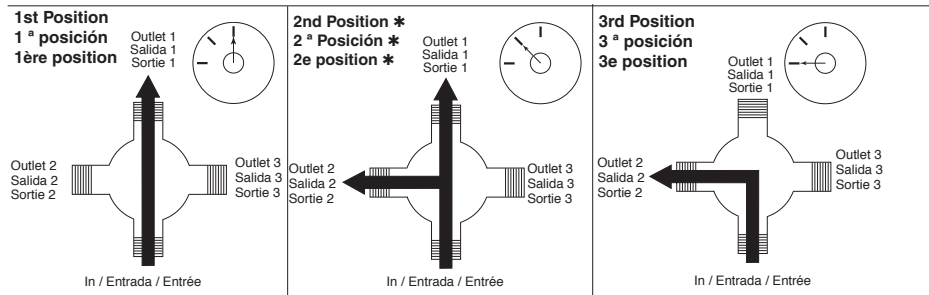
T27T



**Para reemplazar el cartucho ordene RP47201**

# Hoja de referencia para la manija desviadora

## Water Flow For 3 Function Diverter / Flujo de agua para Desviadores de 3 posiciones / Écoulement de l'eau pour les inverseurs à 3 positions

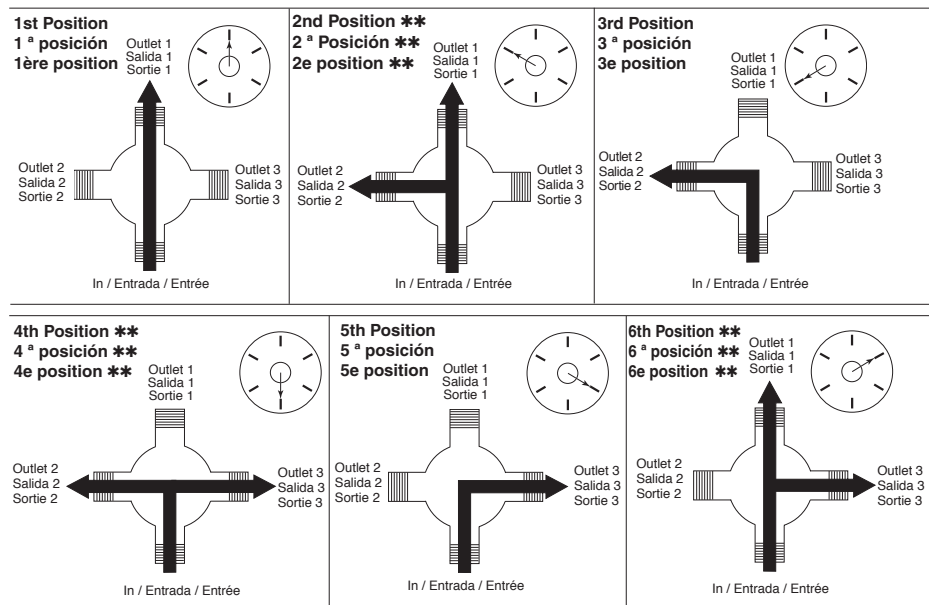


\* Shared positions do not exist in non-shared cartridges.

\* Los ajustes o posiciones compartidas no existen en los cartuchos no-compartidos.

\* Comme leur nom l'indique, les cartouches sans position partagée ne comportent aucune position partagée.

## Water Flow For 6 Function Diverter / Flujo de agua para Desviadores de 6 posiciones / Écoulement de l'eau pour les inverseurs à 6 positions



\*\* Shared positions do not exist in non-shared cartridges.

\*\* Los ajustes o posiciones compartidas no existen en los cartuchos no-compartidos.

\*\* Comme leur nom l'indique, les cartouches sans position partagée ne comportent aucune position partagée.

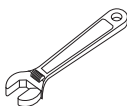
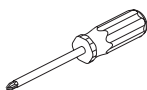


## Manuel d'utilisation

T27T859, T27T867, T27T897,  
T27T959, T27T967 and  
T27T997 Séries

Inscrivez le numéro du modèle acheté ici.

### Ce dont vous pouvez avoir besoin



### Table des matières:

Garanties .....	Page 2
Instructions d'installation .....	Pages 3 - 6
Nettoyage et entretien.....	Page 7
Maintenance .....	Page 7
Fiche de référence sommaire de la cartouche.....	Page 7
Pièces de rechange.....	Page 9 - 12
<b>Pour obtenir de l'information sur d'autres pièces de rechange, visitez : <a href="http://www.deltafaucet.com">www.deltafaucet.com</a></b>	

**ATTENTION** : Ce système ou cet appareil doit être réglé par l'installateur pour que sa température maximale soit sans danger. Tout changement du réglage peut entraîner une hausse de température au delà de la limite considérée sécuritaire et occasionner l'ébullition.

**AVIS À L'INSTALLATEUR; ATTENTION!** - En qualité d'installateur de cette soupape, vous avez la responsabilité de L'INSTALLER et de la RÉGLER correctement selon les instructions fournies. Cette soupape ne s'adapte pas automatiquement aux fluctuations de la température de l'eau d'alimentation. Par conséquent, il faut régler la butée de température maximale au moment de l'installation et il peut être nécessaire de faire de nouveaux réglages par la suite en raison des fluctuations saisonnières de la température de l'eau. **VOUS DEVEZ** informer le propriétaire ou l'utilisateur de cette exigence. En cas de doute quant à la marche à suivre pour faire ces réglages, veuillez consulter la page 5. Si vous avez encore des doutes, veuillez appeler au 1 800-345-DELTA.

Après avoir terminé l'installation et le réglage, vous devez inscrire, sur l'étiquette de mise en garde fournie, votre nom, le nom de votre entreprise et la date à laquelle vous avez réglé le bouton de température maximale, puis fixer l'étiquette à l'endos de la porte de la coiffeuse. Vous devez également fixer l'étiquette d'avertissement au chauffe-eau. **Veuillez laisser ce feuillet d'instructions au propriétaire**

ou à l'utilisateur pour qu'il puisse le consulter au besoin.

**MISE EN GARDE** – Ce robinet thermostatique à équilibrage de pression pour baignoire est conçu pour limiter les effets des fluctuations de température de l'eau causées par les variations de la pression d'alimentation attribuables au fonctionnement d'un lave-vaisselle, d'une machine à laver, d'un cabinet d'aisances ou d'un autre appareil qui consomme de l'eau. Il peut ne pas protéger l'utilisateur contre l'échaudage en cas de défectuosité d'un autre dispositif de régulation de la température, de réglage erroné du bouton de température maximale, de modification de la température de l'eau chaude après le réglage du bouton de température maximale ou de fluctuation saisonnière de la température de l'eau d'alimentation. **MISE EN GARDE** – N'installez pas de dispositif d'arrêt sur une sortie quelconque de cette soupape. En interrompant l'écoulement de l'eau, ce dispositif peut empêcher la soupape d'équilibrer les pressions d'eau chaude et d'eau froide.

## Garantie à vie sur le robinet et garantie limitée sur le fini

### Pièces et finis

Toutes les pièces (à l'exception des composants électroniques et des piles) et tous les finis de ce robinet Delta® sont protégés contre les défauts du matériau et les vices de fabrication par une garantie qui est consentie au premier acheteur et qui demeure valide tant que celui-ci demeure propriétaire de la maison dans laquelle le robinet a été installé. Dans le cas d'une utilisation commerciale, la garantie est de **5 ans à compter de la date d'achat**.

### Composants électroniques et piles (le cas échéant)

Si ce robinet Delta® comporte des composants électroniques, ces composants (à l'exception des piles) sont protégés contre les défauts du matériau et les vices de fabrication par une garantie consentie au premier acheteur qui est d'une durée de 5 ans à compter de la date d'achat. Dans le cas d'une utilisation commerciale, la garantie est d'un an à compter de la date d'achat. Aucune garantie ne couvre les piles. Delta Faucet Company remplacera, GRATUITEMENT, pendant la période de garantie applicable, toute pièce ou tout fini qui présentera une défectuosité du matériau et/ou un vice de fabrication pour autant que le robinet ait été installé, utilisé et entretenu normalement. S'il est impossible de réparer ou de remplacer le robinet, Delta Faucet Company pourra décider de rembourser le prix d'achat du produit pour autant que celui-ci lui soit retourné. **Il s'agit de vos seuls recours.**

Delta Faucet Company recommande de confier l'installation et la réparation à un plombier professionnel. Nous vous recommandons également d'utiliser uniquement des pièces de rechange authentiques Delta®. Delta Faucet Company se dégage de toute responsabilité à l'égard des dommages causés au robinet en raison d'un mauvais usage, d'un usage abusif, de la négligence ou de l'utilisation d'une méthode d'installation, de maintenance ou de réparation incorrecte ou inadéquate, y compris les dommages résultant du non-respect des instructions de nettoyage et d'entretien applicables.

Pour obtenir des pièces de rechange, veuillez appeler au numéro applicable ci-dessous ou écrire à l'adresse applicable ci-dessous:

### Aux États-Unis et au Mexique:

Delta Faucet Company  
Product Service  
55 E. 111th Street  
Indianapolis, IN 46280  
1-800-345-DELTA (3358)  
customerservice@deltafaucet.com

### Au Canada:

Masco Canada Limited, Groupe plomberie  
Centre de services techniques  
350 South Edgeware Road  
St. Thomas, Ontario, Canada N5P 4L1  
1-800-345-DELTA (3358)  
customerservice@mascocanada.com

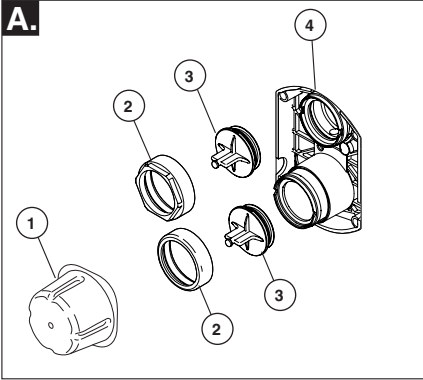
La preuve d'achat (reçu original) du premier acheteur doit être présentée à Delta Faucet Company pour toutes les demandes en vertu de la garantie, sauf si le produit a été enregistré auprès de Delta Faucet Company. La présente garantie s'applique uniquement aux robinets Delta® fabriqués après le 1er janvier 1995 et installés aux États-Unis d'Amérique, au Canada et au Mexique.

DELTA FAUCET COMPANY SE DÉGAGE DE TOUTE RESPONSABILITÉ À L'ÉGARD DES DOMMAGES PARTICULIERS, CONSÉCUTIFS OU INDIRECTS (Y COMPRIS LES FRAIS DE MAIN-D'ŒUVRE) QUI POURRAIENT RÉSULTER DE LA VIOLATION D'UNE GARANTIE IMPLICITE OU EXPLICITE QUELCONQUE SUR LE ROBINET. Dans les États ou les provinces où il est interdit de limiter ou d'exclure la responsabilité à l'égard des dommages particuliers, consécutifs ou indirects, les limites et les exclusions susmentionnées ne s'appliquent pas. La présente garantie vous donne des droits précis qui peuvent varier selon l'État ou la province où vous résidez.

La présente garantie écrite est la garantie exclusive offerte par Delta Faucet Company et elle n'est pas transférable.

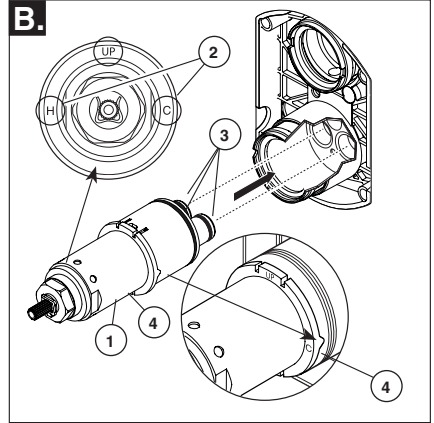
Si vous avez des questions ou des préoccupations en ce qui concerne notre garantie, veuillez consulter la page Warranty FAQs à [www.deltafaucet.com](http://www.deltafaucet.com), faire parvenir un courriel à [customerservice@deltafaucet.com](mailto:customerservice@deltafaucet.com) ou nous appeler au numéro applicable.

## 1 Installation de la cartouche



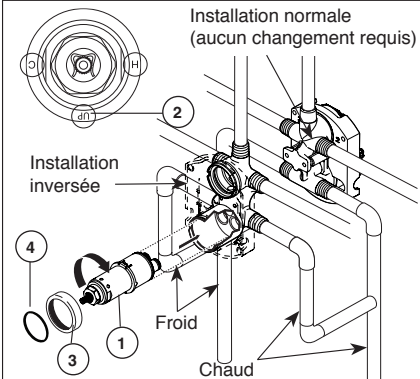
**Fermez les robinets d'alimentation.** Retirez le capuchon (1), les écrous-chapeaux (2) et les capuchons d'essai (3) du corps de robinetterie brute (4).

Placez un seau ou un petit contenant sur l'avant du corps de soupape et ouvrez lentement les robinets d'arrêt pour évacuer les corps étrangers de la tuyauterie avant d'installer la cartouche. Fermez de nouveau les robinets d'arrêt.



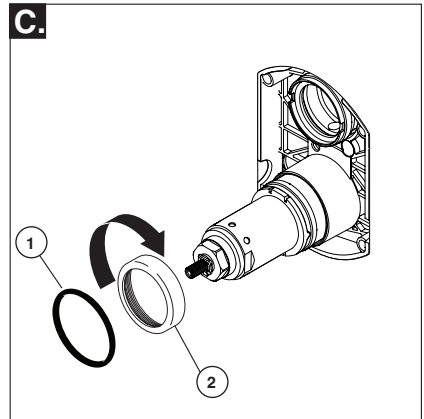
Tournez la cartouche de la soupape (1) de sorte que la lettre « H » (2) soit du côté eau chaude et la lettre « C » (2) soit du côté eau froide. Ajoutez du lubrifiant à base de silicone aux trois joints toriques (3) montrés ci-dessus pour faciliter la pose de la cartouche dans le corps de soupape et sa dépose. Introduisez la cartouche dans le corps de la soupape comme le montre la figure. Assurez-vous que les ergots sont parfaitement engagés dans les rainures du corps (4). Vous pouvez enduire les joints toriques d'un peu de graisse de plomberie pour faciliter l'assemblage.

### Installation dos à dos



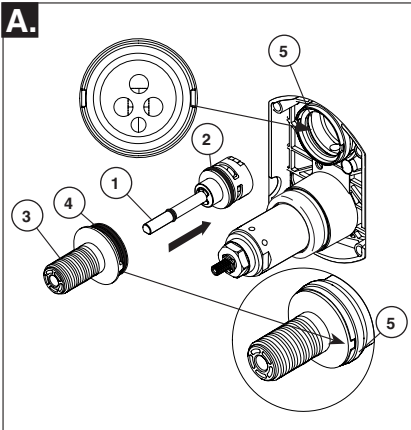
Dans le cas d'une installation dos à dos ou inversée (eau chaude à droite et eau froide à gauche) seulement : tournez la cartouche (1) de sorte que la lettre « H » se trouve du côté eau chaude, la lettre « C », du côté eau froide et le mot « UP » (2), vers le bas. Ajoutez du lubrifiant à base de silicone aux trois joints toriques montrés ci-dessus pour faciliter la pose de la cartouche dans le corps de robinetterie brute et sa dépose.

Installez la cartouche en prenant soin d'introduire les ergots entièrement dans les rainures du corps de robinetterie brute (reportez-vous à l'étape B). Glissez le joint torique (3) et l'écrou-chapeau (4) sur la cartouche et vissez-le sur le corps de robinetterie brute. Serrez-le à la main solidement.



Vissez l'écrou-chapeau (2) sur la cartouche. Serrez à la main solidement. Glissez le joint torique (1) sur la cartouche et le chapeau.

## 2 Instalación del cartucho desviador

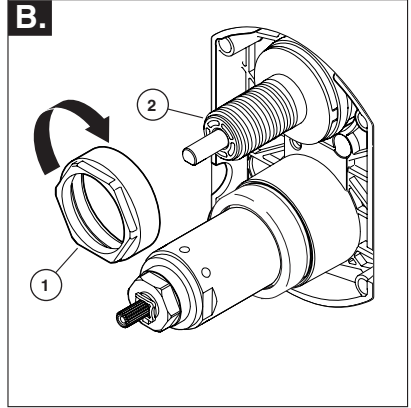


### Para La instalación Del cartucho De desvío:

Aplique lubricante de silicona a la junta tórica (2) para facilitar la instalación del cartucho desviador con el casquillo desviador (3). La aplicación de una ligera capa de grasa de plomeros a las juntas tóricas (4) puede facilitar el montaje.

Instale el cartucho desviador (1) asegurando que el pasador de posicionamiento que está en la parte inferior del cartucho se alinee con el agujero correspondiente en el cuerpo de la tubería preliminar.

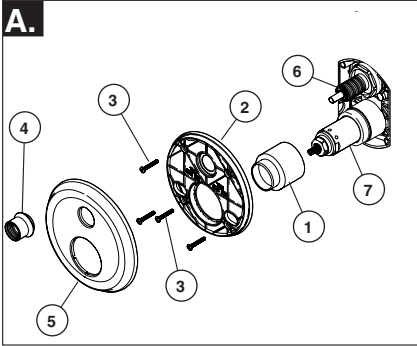
Deslice el casquillo desviador (3) sobre la espiga del cartucho alineando las lengüetas en el casquillo desviador con ranuras en el cuerpo de la tubería preliminar (5).



### Installation Du chapeau De l'inverseur

Deslice la tuerca tapa (1) sobre el casquillo desviador (2) y enrosque en el cuerpo de la tubería preliminar. Apriete a mano de forma segura.

## 3 Installation des pièces de finition



### Installation de la plaque de finition

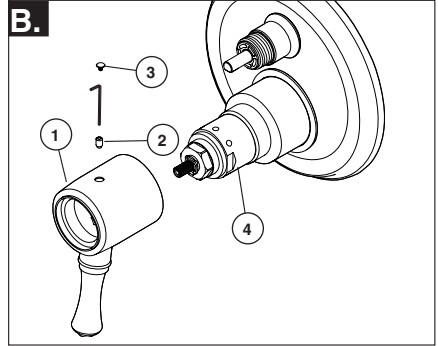
Installation dans un mur fini d'une épaisseur maximale de 1 1/8 po. Montez le manchon de finition (1) sur la cartouche de soupape (7) et le chapeau. Fixez la plaque arrière (2) au corps de robinetterie brute au moyen des quatre vis (3) fournies.

**Note : Assurez-vous que la face avant de la plaque arrière est orientée vers l'avant et que les repères sont visibles.**

En maintenant la plaque de finition (5) en place, vissez l'écrou de finition (4) fourni sur le manchon de l'inverseur (6).

**Note : Si vous faites l'installation dans un mur épais, commandez la trousse d'installation RP90544 pour un mur fini d'une épaisseur maximale de 2 1/8 po.**

Sur les surfaces raboteuses ou inégales, vous devez appliquer du composé d'étanchéité autour de la plaque arrière (2) pour épaissir le joint. N'appliquez pas de composé d'étanchéité dans la rainure d'égouttement au bas de la plaque arrière (2) ni autour de la plaque de finition (5).



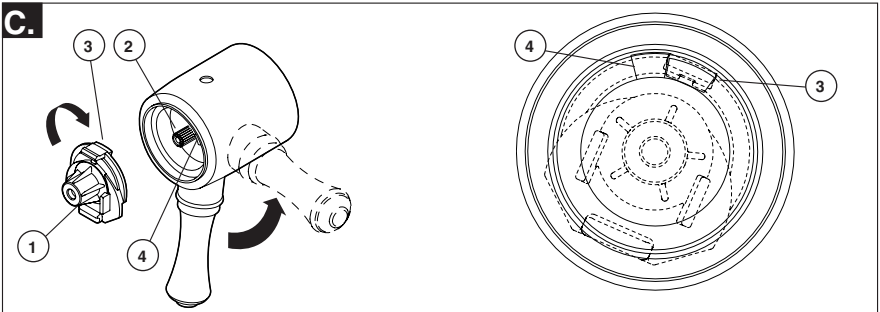
### Installation de la manette de réglage de débit

Installez la manette (1) sur la cartouche (4), puis insérez la vis de calage (2) au moyen d'une clé Allen.

En exerçant une pression, insérez le capuchon de la vis de calage (3) jusqu'à ce qu'il soit bien calé.

## Installation and Adjustment of the Temperature Knob

Failure to do so may cause injury.



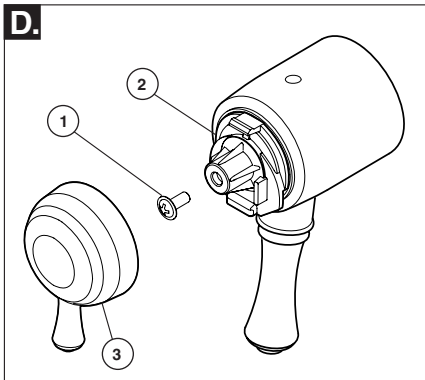
### Réglez la butée de température maximale

Ouvrez les robinets d'arrêt. LAISSEZ L'EAU CHAUDE ET L'EAU FROIDE COULER À FOND JUSQU'À CE QUE LA TEMPÉRATURE DE L'EAU QUI S'ÉCOULE SE STABILISE. Placez un thermomètre dans un gobelet et tenez le gobelet sous le jet d'eau. Placez le bouton de température maximale (1) sur les cannelures (2), puis tournez-le jusqu'à ce que l'eau soit à la température

maximale voulue (pas plus de 120 °F ou température plus basse exigée par le code de plomberie local).

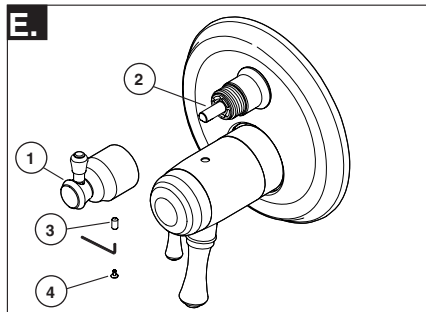
Enlevez le bouton de température maximale et remplacez-le sur les cannelures (2) en vous assurant que la butée de température maximale (3) s'appuie contre la butée de la manette de débit (4) comme le montre la figure.

## 4 Installation de la finition de la soupape



### Installation de la manette de température

Fixez le bouton de réglage de température (2) avec la vis (1) et, en poussant fermement, calez la manette de température (3) sur le bouton.



### Installation de la manette de l'inverseur

Glissez la manette de l'inverseur (1) sur la tige du manchon de l'inverseur (2) en prenant soin d'aligner la manette avec la tige de la cartouche.

Insérez la vis de calage (3) au moyen d'une clé Allen. En exerçant une pression, insérez le capuchon de la vis de calage (4) jusqu'à ce qu'il soit bien calé.

**4** Possibilité d'ébouillantage ou de choc thermique pouvant causer des lésions en raison d'une inversion de la circulation de l'eau si la sortie de la douche est bloquée ou limitée (p. ex. : circulation bloquée par la commande d'arrêt sur la pomme de douche). Avant d'ouvrir le robinet, déplacez la pomme de douche pour ne pas vous faire arroser. Vous pouvez également installer des clapets de non-retour sur les deux tuyaux d'alimentation en eau pour éliminer les risques de blessures.

## Nettoyage et entretien

Ce produit doit être nettoyé avec soin. Bien que le fini soit extrêmement durable, il peut être abîmé par des agents de polissage puissants ou des nettoyeurs fortement abrasifs. Pour le nettoyer, il suffit de le frotter doucement avec un chiffon humide, puis de l'éponger avec une serviette douce.

## Maintenance

### L'eau ne s'écoule qu'en un mince filet:

conduites d'eau chaude et d'eau froide doivent être toutes les deux sous pression. Si seulement un côté est sous pression, le débit d'eau à la sortie du système sera insuffisant.

**La pomme de douche fuit:** retirez la pomme de douche, puis ouvrez et fermez les robinets d'arrêt et vérifiez si la cartouche fuit ou si la pomme de douche se vide lentement (la pomme de douche peut avoir besoin d'un nettoyage si elle se vide lentement).

**Si la fuite persiste -FERMEZ LES ROBINETS D'ARRÊT.**  
Remplacez la cartouche - RP47201.

### Incapacité de régler ou de maintenir la température de l'eau mitigée:

**FERMEZ LES ROBINETS D'ARRÊT.** Retirez la manette, le manchon de finition et l'écrou-chapeau. Assurez-vous que la lettre « H » qui figure sur la cartouche est orientée vers l'entrée d'eau chaude et que la lettre « C » est orientée vers l'entrée d'eau froide du corps de soupape. La cartouche thermostatique ne fonctionnera pas si l'entrée d'eau chaude et l'entrée d'eau froide sont inversées.

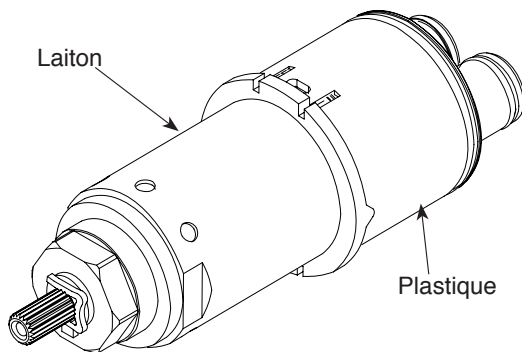
**Faible débit:** un faible débit peut être attribuable à des filtres métalliques obstrués à l'intérieur de la cartouche thermostatique.

Pour nettoyer les filtres métalliques d'eau chaude et d'eau froide à l'intérieur de la cartouche, suivez les étapes suivantes :

1. FERMEZ LES ROBINETS D'ARRÊT.
2. Enlevez la manette.
3. Dévissez la partie hexagonale de la cartouche.
4. Nettoyez soigneusement les filtres métalliques en faisant couler de l'eau au travers pour évacuer les saletés. Si les saletés sont difficiles à enlever, faites tremper les filtres métalliques toute la nuit dans une solution composée à part égales d'eau et de vinaigre
5. Remontez la cartouche.
6. Remplacez la manette.
7. Ouvrez les robinets d'arrêt.
8. Remettez la butée de température maximale à sa position initiale avant d'utiliser la soupape.

## Fiche de référence sommaire de la cartouche

T27T

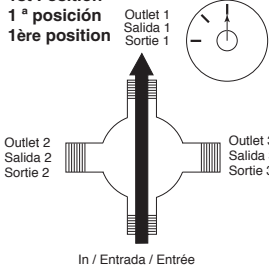


**Commandez le kit RP47201  
pour remplacer la cartouche.**

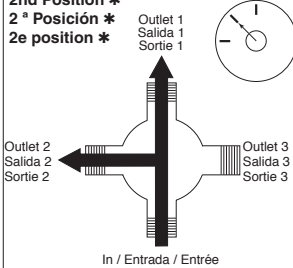
# Fiche de référence de la manette de l'inverseur

## Water Flow For 3 Function Diverter / Flujo de agua para Desviadores de 3 posiciones / Écoulement de l'eau pour les inverseurs à 3 positions

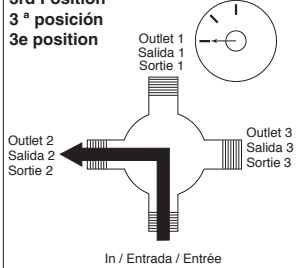
**1st Position**  
1<sup>a</sup> posición  
1ère position



**2nd Position \***  
2<sup>a</sup> Posición \*  
2e position \*



**3rd Position**  
3<sup>a</sup> posición  
3e position



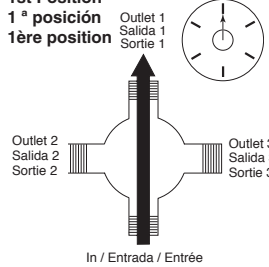
\* Shared positions do not exist in non-shared cartridges.

\* Los ajustes o posiciones compartidas no existen en los cartuchos no-compartidos.

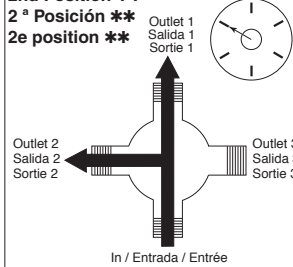
\* Comme leur nom l'indique, les cartouches sans position partagée ne comportent aucune position partagée.

## Water Flow For 6 Function Diverter / Flujo de agua para Desviadores de 6 posiciones / Écoulement de l'eau pour les inverseurs à 6 positions

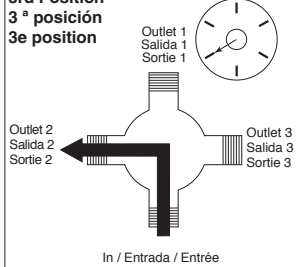
**1st Position**  
1<sup>a</sup> posición  
1ère position



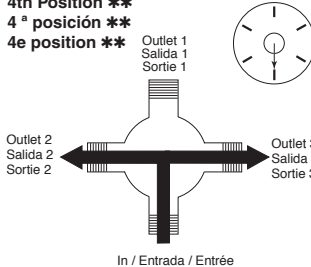
**2nd Position \*\***  
2<sup>a</sup> Posición \*\*  
2e position \*\*



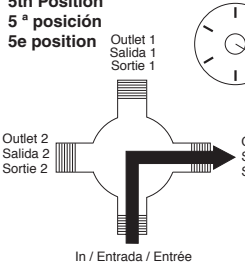
**3rd Position**  
3<sup>a</sup> posición  
3e position



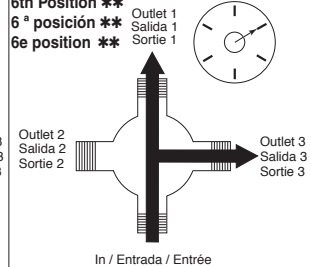
**4th Position \*\***  
4<sup>a</sup> posición \*\*  
4e position \*\*



**5th Position**  
5<sup>a</sup> posición  
5e position



**6th Position \*\***  
6<sup>a</sup> posición \*\*  
6e position \*\*



\*\* Shared positions do not exist in non-shared cartridges.

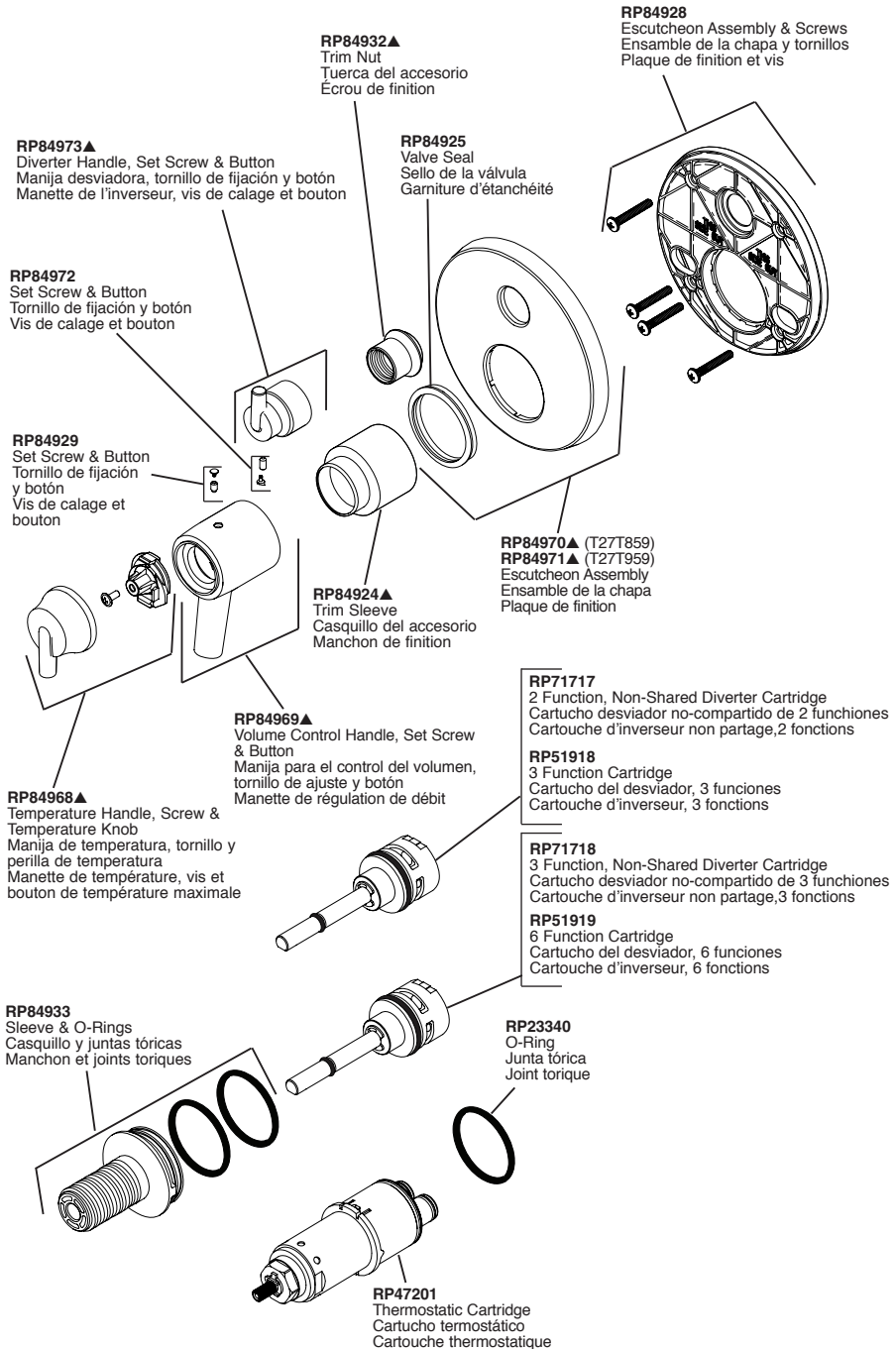
\*\* Los ajustes o posiciones compartidas no existen en los cartuchos no-compartidos.

\*\* Comme leur nom l'indique, les cartouches sans position partagée ne comportent aucune position partagée.



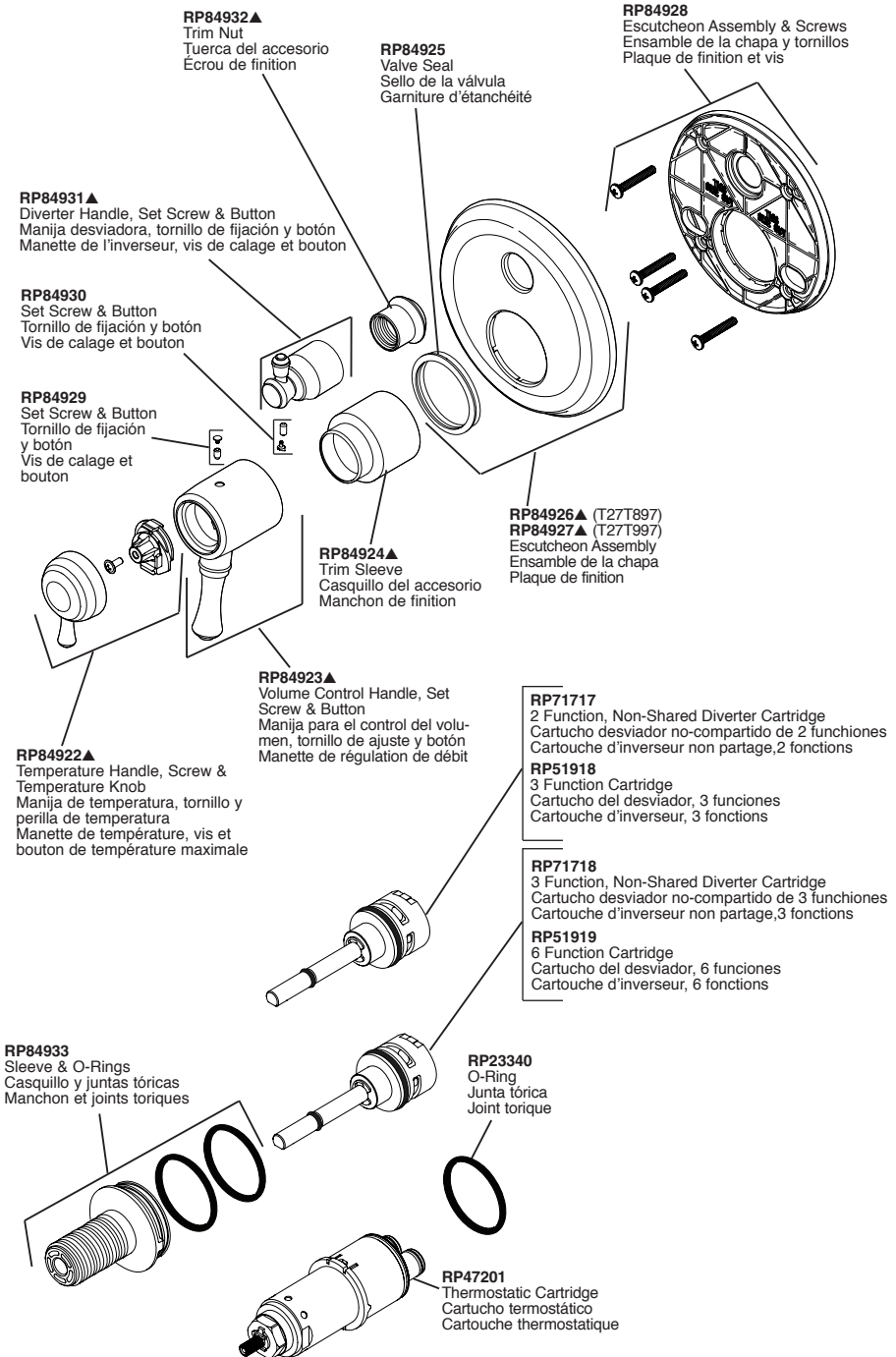


# T27T859, T27T959 Models / Modelos / Modèles



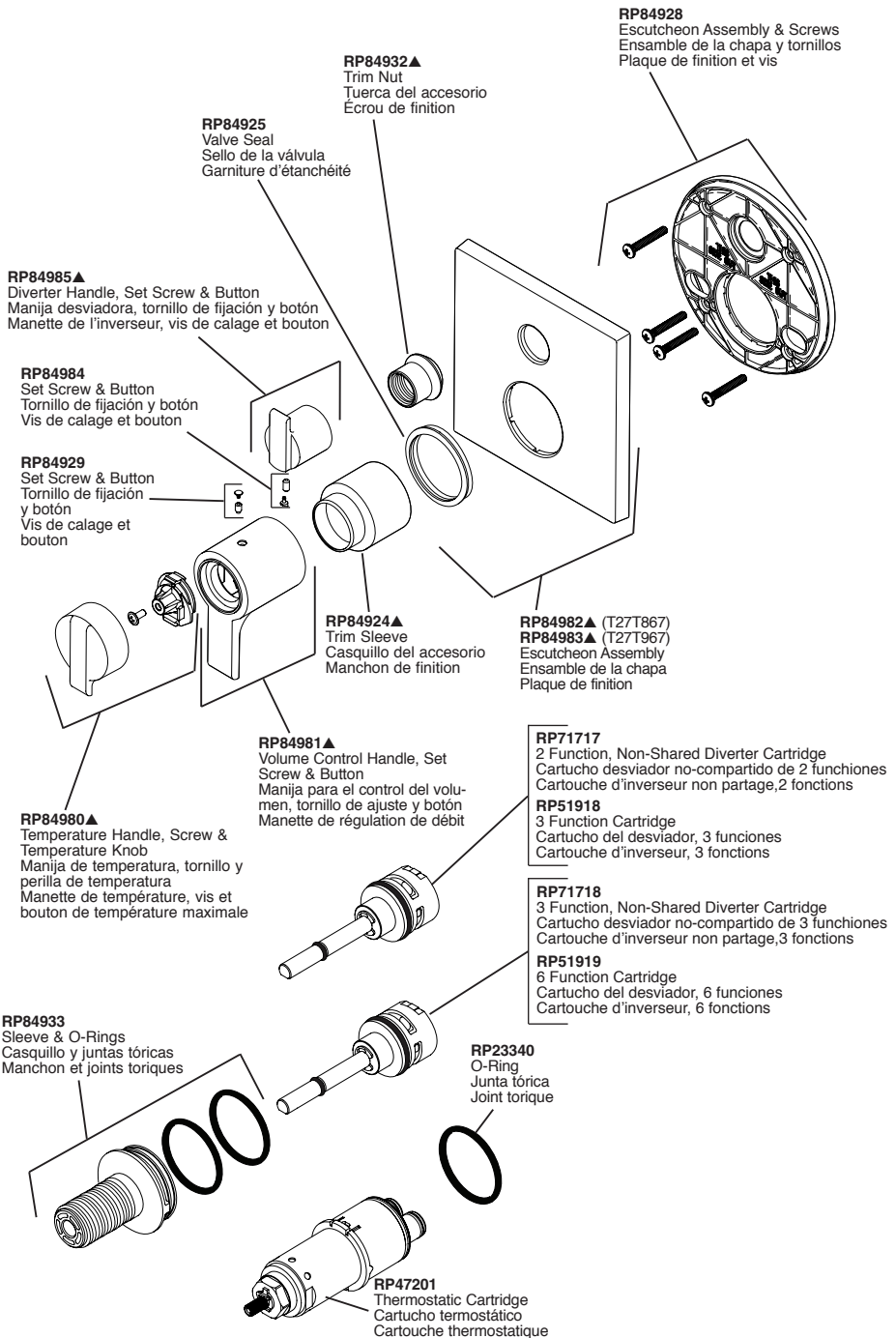
▲ Specify Finish/Especifique el Acabado/ Précisez le fini

# T27T897, T27T997 Models / Modelos / Modèles



▲ Specify Finish/Especifique el Acabado/ Précisez le fini

# T27T867, T27T967 Models / Modelos / Modèles



▲ Specify Finish/Especifique el Acabado/ Précisez le fini





Delta Faucet Company  
Product Service  
55 E. 111th Street  
Indianapolis, IN 46280



**IMPORTANT DOCUMENTS ENCLOSED**

**CAUTION:**

To reduce the risk of injury due to hot water burns, make sure the enclosed labels are applied where specified on the label.

---

**DOCUMENTOS IMPORTANTES INCLUIDOS**

**AVISO:**

Para reducir el riesgo de lesión por quemaduras de agua caliente , asegúrese que las etiquetas incluidas se han aplicado donde se ha especificado en la etiqueta.

---

**DOCUMENTS IMPORTANTS À L'INTÉRIEUR**

**MISE EN GARDE :**

Pour réduire le risque d'ébouillantage, veuillez apposer les étiquettes fournies aux endroits indiqués sur celles-ci.

**NOTICE TO INSTALLER:** Place this label on the water heater next to the temperature adjustment knob.

**WARNING:**

**These series of tub/shower valves do not adjust automatically for changes in temperature at the hot water heater or inlet.** If the temperature setting of the hot water heater or inlet is changed, the setting on these valves **must be adjusted manually!** Failure to re-adjust the valve may result in hot water burns or extreme cold resulting from variations in line pressure (such as when a dishwasher or washing machine is in use while you are taking a shower). After installation, verify that the rotational limit stop (13/14/17/24/27 series) or temperature knob (17T/27T series) on the valve is set so that changes in line pressure or temperature do not result in uncomfortable water temperature changes. **If the temperature setting of the hot water heater or inlet is changed after installation of the valve, the setting of the rotational limit stop or temperature knob also must be changed!** Consult the installation instruction sheet for instructions on how to make this setting, or call us at 1-800-345-DELTA.

**AVISO AL INSTALADOR:** Coloque esta etiqueta en el calentador de agua al lado de la perilla para el ajuste de temperatura.

**AVISO:**

**Esta serie de válvulas para bañeras/regaderas no se ajustan automáticamente a los cambios de temperatura en el calentador de agua o en el agua de entrada.** Si el ajuste de la temperatura del calentador de agua o la temperatura del agua que entra cambia **¡El ajuste de estas válvulas se debe hacer manualmente!** El no reajustar la válvula puede resultar en quemaduras por agua caliente o temperaturas de agua extremadamente frías resultando en variaciones de presión y temperatura (como cuando el fregador de platos o la lavadora están funcionando mientras que se baña). Después de la instalación, verifique que el control o tope del límite rotacional (series 13/14/17/24/27) o la perilla del control de temperatura (series 17T/27T) en la válvula está ajustada para que los cambios de presión y de temperatura en la línea no resulten en cambios incómodos de temperatura del agua. **Si el ajuste de la temperatura del calentador de agua o de la entrada de agua se cambia después de la instalación de la válvula, el ajuste del tope del límite rotacional o la perilla de ajuste ¡también se debe cambiar!** Consulte con su hoja de instrucciones de instalación para saber como se ajusta o cambia el ajuste, o llámenos al 1-800-345-DELTA.

**AVIS À L'INSTALLATEUR:** Fixez cette étiquette sur le chauffe-eau près du bouton de réglage de température.

**ATTENTION:**

**La soupape de robinet de baignoire ou de douche de cette série ne se règle pas automatiquement en fonction des changements de température de l'eau chaude au chauffe-eau ou de l'eau d'alimentation.** En cas de modification du réglage de température du chauffe-eau ou de la température de l'eau d'alimentation, le réglage de cette soupape doit être **modifié manuellement!** Si le réglage de la soupape n'est pas modifié, le robinet pourra permettre l'écoulement d'eau très chaude susceptible de causer l'ébulliantage ou d'eau très froide, sous l'effet des variations de pression et de température dans la tuyauterie d'alimentation (lorsque la douche est utilisée en même temps que le lave-vaisselle ou la machine à laver, par exemple). Après l'installation, assurez-vous que la butée de température maximale (séries 13/14/17/24/27) ou le bouton de température (séries 17T/27T) sur la soupape est réglé de manière que les fluctuations de pression et de température dans la tuyauterie d'alimentation n'entraînent pas de changements de température de l'eau inconfortables. **En cas de modification du réglage de température du chauffe-eau ou de la température de l'eau d'alimentation après l'installation de la soupape, le réglage de la butée de température maximale ou du bouton de température doit être modifié!** Pour régler le bouton de température, consultez la feuille d'instructions d'installation ou appelez-nous au 1-800-345-DELTA.

**NOTICE TO INSTALLER:** Place this label close to the valve where the owner will see it, such as inside the door of a cabinet or vanity.

**WARNING:**

Water temperature changes due to seasonal or other inlet variations, such as changing the setting on the hot water heater may require adjustment of the rotational limit stop (13/14/17/24/27 Series) or temperature knob (17T/27T Series) on your tub/shower valve to ensure a safe maximum temperature. These valve series do not automatically adjust for inlet temperature changes. If changes occur and you are not sure how to make the necessary rotational limit stop or temperature knob adjustments, please consult the installation instruction sheet provided with this valve or call 1-800-345-DELTA. These valve series are designed to minimize the effects of outlet water temperature changes due to inlet pressure changes, commonly caused by dishwashers, washing machines, toilets and the like. **They may not provide protection from hot water burns when there is a failure of other temperature controlling devices elsewhere in the plumbing system.** After making the necessary adjustments please fill in the information below. This valve/system has been set by the person listed below to ensure a safe maximum temperature. Any change in the setting may raise the discharge temperature above the limit considered safe and could lead to hot water burns. If this label has not been completed, you should verify that the rotational limit stop or temperature knob has been properly adjusted to suit your individual installation. The installation instruction sheet supplied with the valve provides information on how to make this setting.

**AVISO AL INSTALADOR:** Coloque esta etiqueta cerca de la válvula donde el propietario la pueda ver, tal como dentro de la puerta del gabinete o el tocador.

**AVISO:**

Los cambios de temperatura del agua por variaciones estacionales u otras variaciones en el agua de entrada, como el cambio por el ajuste en el calentador de agua, puede requerir el ajuste del tope del límite rotacional (Series 13/14/17/24/27) o ajuste de la perilla para el control de la temperatura (Series 17T/27T) de la válvula de su unidad bañera/regadera para asegurar una temperatura máxima segura. Esta serie de válvulas no se ajusta automáticamente a los cambios de temperatura del agua de entrada. Si cambios ocurren y usted no está seguro como hacer los ajustes necesarios con la perilla para controlar la temperatura, por favor consulte la hoja de instrucciones de instalación proporcionada con esta válvula o llámenos al 1-800-345-DELTA. Las válvulas de esta serie están diseñadas para minimizar los efectos por cambios de temperatura en el agua de entrada por cambios en la presión del agua, comúnmente causados por el uso simultáneo de fregadoras de platos, lavadoras, inodoros y aparatos similares. **Estas pueden no proporcionar protección de quemaduras por el agua caliente cuando hay una falla de otros mecanismos que controlan la temperatura del agua en otro sitio del sistema de plomería.** Después de hacer los ajustes necesarios, por favor escriba la información suministrada a continuación. Esta válvula/sistema ha sido ajustada por la persona indicada a continuación para ayudar a asegurar una temperatura máxima segura. Cualquier cambio al ajuste puede aumentar la temperatura del agua de descarga sobre el límite considerado seguro y puede resultar en quemaduras por agua caliente. Si esta etiqueta no se ha llenado, debe verificar si el control o tope del límite rotacional o la perilla que controla la temperatura han sido correctamente ajustadas al gusto de su instalación individual. La hoja de instrucciones de instalación proporcionada con las válvulas le suministra información sobre como hacer este ajuste.

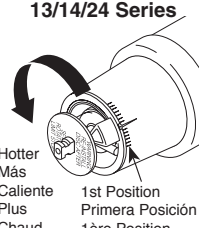
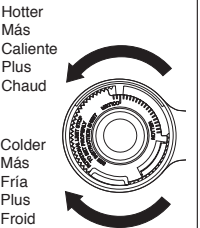
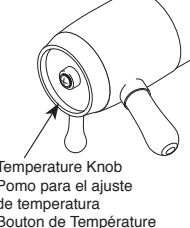
**AVIS À L'INSTALLATEUR:** Fixez cette étiquette près du robinet, à la vue à l'intérieur du propriétaire, de la porte du meuble ou de la coiffeuse, par exemple.

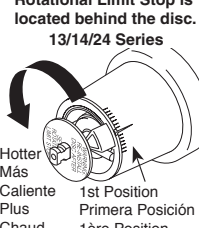
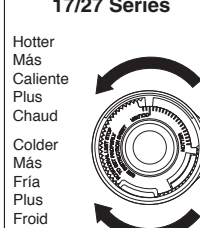
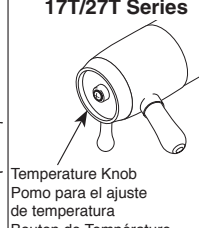
**ATTENTION:**

Les modifications de la température de l'eau attribuables au changement de saison ou à d'autres facteurs, comme la modification du réglage du chauffe-eau, peuvent nécessiter un réglage de la butée de température maximale (séries 13/14/17/24/27) ou du bouton de température (séries 17T/27T) de la soupape de votre robinet pour baignoire et de douche. La soupape de robinet de ces séries ne se règle pas automatiquement en fonction des changements de température de l'eau chaude de l'eau d'alimentation. En cas de modification de la température de l'eau d'alimentation, si vous ne savez pas comment régler la butée de température maximale ou le bouton de température, veuillez consulter le feuillet d'instructions d'installation fourni avec la soupape ou appeler au 1-800-345-DELTA. La soupape de cette série est conçue pour limiter la variation de la température de l'eau pouvant résulter des fluctuations de température et de pression dans la tuyauterie d'alimentation. Ces fluctuations sont habituellement causées par une utilisation simultanée du lave-vaisselle, de la machine à laver, d'un cabinet d'aisances ou d'un autre appareil qui consomme de l'eau. **La soupape peut ne pas protéger l'utilisateur contre l'ébulliantage en cas de défectuosité d'un autre dispositif de régulation de la température de l'eau situé ailleurs dans la tuyauterie.** Après avoir effectué les réglages nécessaires, veuillez inscrire l'information requise ci-dessous. Cet appareil de robinetterie a été réglé par la personne dont le nom figure ci-dessous pour que la température maximale de l'eau soit sans danger. Toute modification du réglage peut occasionner une élévation de la température de l'eau à la sortie du robinet et l'eau qui s'écoulera pourra être suffisamment chaude pour causer l'ébulliantage. Si la présente étiquette n'a pas été remplie, assurez-vous que la butée de température maximale ou le bouton de température a bien été réglé en fonction des caractéristiques de votre installation. La marche à suivre pour faire le réglage figure dans les instructions d'installation fournies avec la soupape.

**TO BE FILLED OUT BY THE INSTALLER / PARA SER LLENADO POR EL INSTALADOR / A REMPLIR PAR L'INSTALLATEUR:**

BY/POR/PAR \_\_\_\_\_ COMPANY/COMPANIA/COMPAGNE \_\_\_\_\_  
DATE/FECHA/LE \_\_\_\_\_ PHONE/TELÉFONO/TELÉPHONE \_\_\_\_\_

<p><b>Rotational Limit Stop is located behind the disc.</b></p> <p><b>13/14/24 Series</b></p>  <p>Hotter Más Caliente Plus Chaud</p> <p>1st Position Primera Posición 1ère Position</p>	<p><b>17/27 Series</b></p>  <p>Hotter Más Caliente Plus Chaud</p> <p>Colder Más Fría Plus Froid</p>	<p><b>17T/27T Series</b></p>  <p>Temperature Knob Pomo para el ajuste Bouton de Température</p>
---	--	--

<p><b>Rotational Limit Stop is located behind the disc.</b></p> <p><b>13/14/24 Series</b></p>  <p>Hotter Más Caliente Plus Chaud</p> <p>1st Position Primera Posición 1ère Position</p>	<p><b>17/27 Series</b></p>  <p>Hotter Más Caliente Plus Chaud</p> <p>Colder Más Fría Plus Froid</p>	<p><b>17T/27T Series</b></p>  <p>Temperature Knob Pomo para el ajuste de temperatura Bouton de Température</p>
--	---	---

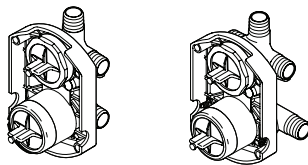
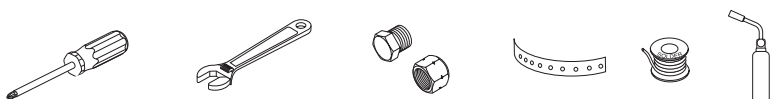




**91557****MULTICHOICE® UNIVERSAL WITH INTERGRATED DIVERTER ROUGH****Multichoice® Universal con DESVIADOR INTERGRADO INTERNO****ROBINETTERIE BRUTE MULTICHOICE® UNIVERSELLE AVEC INVERSEUR INTÉGRÉ**

Model/Modelo/Modèle  
R22000 and R22000-WS  
Series/Series/Seria

Write purchased model number here.  
Escriba aquí el número del modelo comprado.  
Inscrivez le numéro de modèle ici.

**You may need/Usted puede necesitar/Articles dont vous pouvez avoir besoin:****For easy installation of your Delta® faucet you will need:**

- To **READ ALL** the instructions completely before beginning.
- To **READ ALL** warnings, care, and maintenance information.

**NOTICE TO INSTALLER: CAUTION!**—As the installer of this rough-in body, it is your responsibility to properly **INSTALL** this rough-in body per the instructions given. **YOU MUST inform the owner/user of this requirement by following the instructions. THIS ROUGH-IN BODY IS NOT RECOMMENDED FOR TUB INSTALLATION.** If you or the owner/user are unsure how to properly install this rough-in body, please refer to the instructions supplied and if still uncertain, call us at 1-800-345-DELTA. Leave this Instruction Sheet for the owner's/user's reference.

**Para instalación fácil de su llave Delta® usted necesitará:**

- **LEER TODAS** las instrucciones completamente antes de empezar
- **LEER TODOS** los avisos, cuidados, e información de mantenimiento.

**AVISO AL INSTALADOR: ¡CAUTELA!** Como instalador de este componente, es su responsabilidad **INSTALAR** correctamente esta pieza para las tuberías dentro de la pared de acuerdo con las instrucciones incluidas. **Debe informarle al propietario/usuario de este requisito siguiendo las instrucciones. ESTA PIEZA DE LAS TUBERÍAS NO SE RECOMIENDA PARA BAÑERAS.** Si usted o el dueño/consumidor no está seguro de cómo instalar la pieza de las tuberías internas, **por favor refiérase a las instrucciones suministradas y si aún tiene duda, llámenos al 1-800-345-DELTA.** Deje esta hoja de instrucciones para referencia del propietario/usuario

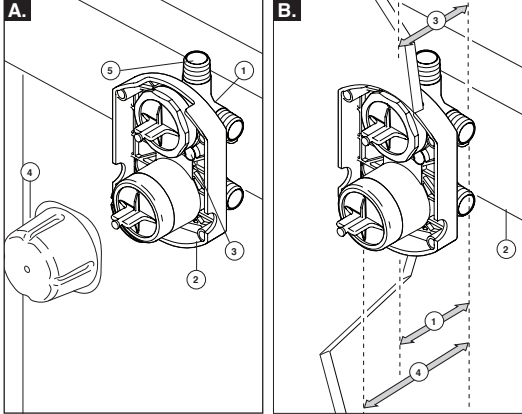
**Pour installer votre robinet Delta® facilement, vous devez:**

- **LIRE TOUTES** les instructions avant de débiter;
- **LIRE TOUS** les avertissements ainsi que toutes les instructions de nettoyage et d'entretien;

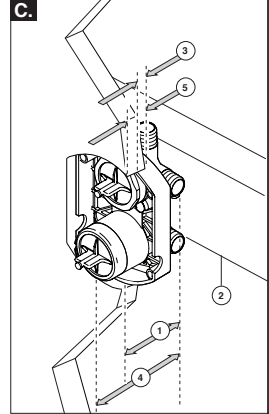
**AVIS À L'INSTALLATEUR : ATTENTION!**  
*En qualité d'installateur de ce corps de robinetterie brute, vous avez la responsabilité D'INSTALLER celui-ci correctement selon les instructions fournies. VOUS DEVEZ informer le propriétaire ou l'utilisateur de cette exigence en suivant les instructions. CE CORPS DE ROBINETTERIE BRUTE N'EST PAS RECOMMANDÉ POUR UNE BAIGNOIRE.*  
Si vous, le propriétaire ou l'utilisateur avez des doutes quant à la marche à suivre pour installer ce corps de robinetterie brute correctement, veuillez **consulter les instructions** fournies et, si vous avez toujours des doutes, veuillez nous appeler **1-800-345-DELTA.** Remettez ce feuillet d'instructions au propriétaire ou à l'utilisateur pour qu'il puisse le consulter au besoin.

1

## Standard Installation



## Thick Wall Installation

**A. SHUT OFF WATER SUPPLIES.**

Consider the type and thickness of your finished wall before placing your stringer back plate. Install the body (1) so the surface of the finished wall is flush with the front of the rough-in box (2)  $\pm 1/4"$ . Mount body using the two stringer mounting holes (3) on the body.

**Note: Remove cover (4) to access mounting holes.**

Make sure the word "UP" and shower outlet port (5) are on top of the valve body when installing.

**B.** Distance (1) from the stringer (2) to the front of the rough-in box is  $2\ 9/16" \pm 1/4"$  (65 mm  $\pm 6$  mm).

**Note: This is the same distance to the finished wall (3).** Distance (4) from the stringer (2) to the front of the bonnet is  $3\ 7/8"$  (99 mm).

(For reference only)

**Note: Gap around rough-in box not to exceed  $1/4"$  (6 mm). Use template on page 5.**

**C.** Thick wall installation for finished wall thickness (5) over  $1\ 1/8"$  up to  $2\ 1/8"$ .

Distance (1) from the stringer (2) to the front of the rough-in box is  $2\ 9/16" \pm 1/4"$  (65 mm  $\pm 6$  mm).

Distance (3) from the front of the rough-in box is  $1\ 1/8" \pm 1/8"$  in front of the framing studs.

Distance (4) from the stringer (2) to the front of the bonnet is  $3\ 7/8"$  (99 mm). (For reference only)

**Note: Gap around rough-in box not to exceed  $1/4"$  (6 mm). Use template on page 5.**

**A. CIERRE LOS SUMINISTROS DE AGUA.**

Tenga en cuenta el tipo y el grosor de su pared acabada antes de colocar la chapa trasera del larguero. Instale el cuerpo (1) de modo que la superficie de la pared acabada esté al ras con la parte del frente de la caja del Componente de las tuberías dentro de la pared (2)  $\pm 1/4"$ .

Instale el cuerpo o Componente usando los agujeros en los dos largueros de montaje (3) en éste. **Nota: retire la cubierta (4) para alcanzar a los agujeros de montaje.** Asegúrese de que la palabra "UP" y el puerto de salida de la regadera/ducha (5) están en la parte superior del cuerpo de la válvula durante la instalación.

**B.** La distancia (1) desde el larguero (2) a la parte delantera de la caja del Componente de las tuberías internas es  $2\ 9/16" \pm 1/4"$  (65 mm  $\pm 6$  mm). **Nota: Esta es la misma distancia a la pared acabada (3).**

La distancia (4) desde el larguero (2) a la parte delantera del casquete es  $3\ 7/8"$  (99 mm).

(Solo como referencia) **Nota: el espacio alrededor de la caja del componente de las tuberías internas no debe exceder  $1/4"$  (6 mm). Use la plantilla en la página 5.**

**B.** Retire los casquetes (1), la caja de las tuberías preliminares/detrás de la pared (3) y las tapas de prueba (2) antes de soldar.

**Advertencia: evite soldar a temperaturas altas. Asegúrese que los toques de límite (4) se hayan retirado de los toques en la versión c/ toques antes de soldar. (No instale antes de soldar).**

**Nota: asegúrese de volver a colocar la caja de la tubería preliminar (3) y los otros componentes antes de soldar.**

**A. INTERROMPEZ L'ALIMENTATION EN EAU.**

Tenez compte du type du mur fini et de son épaisseur avant de poser la plaque de renfort transversale. Installez le corps (1) de sorte que la surface du mur fini soit à égalité avec l'avant du boîtier du corps de robinetterie brute (2)  $\pm 1/4$  po. Montez le corps en le fixant à la plaque de renfort transversale par les deux trous de montage (3) qui se trouvent sur celui-ci. **Note: Enlevez le couvercle (4) pour avoir accès aux trous de montage.** Assurez-vous que le mot « UP » et l'orifice de sortie pour la douche se trouvent dans la partie supérieure du corps de robinetterie.

**B.** La distance (1) entre la plaque de renfort transversale (2) et l'avant du boîtier du corps de robinetterie brute doit être de  $2\ 9/16$  po  $\pm 1/4$  po (65 mm  $\pm 6$  mm). **Note: La distance doit être le même par rapport au mur fini (3).** La distance (4) entre la plaque de renfort transversale (2) et l'avant du chapeau doit être de  $3\ 7/8$  po (99 mm). (A titre indicatif seulement) **Note: L'écart autour du boîtier du corps de robinetterie brute ne doit pas dépasser  $1/4$  po (6 mm). Utilisez le modèle à la page 5.**

**C.** Installation dans un mur fini d'une épaisseur (5) de  $1\ 1/8$  po à  $2\ 1/8$  po.

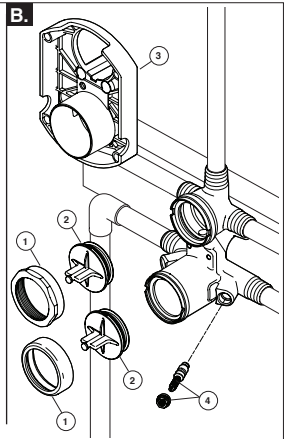
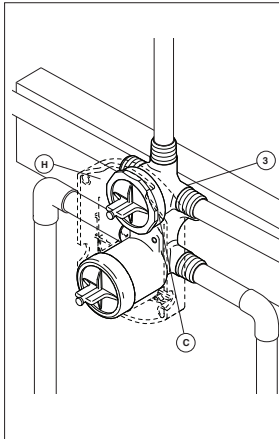
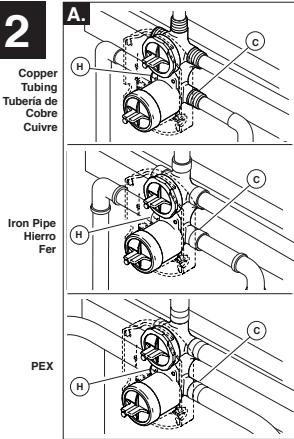
L'écart (1) entre l'entretoise (2) et l'avant du boîtier du corps de robinetterie brute doit être de  $2\ 9/16$  po  $\pm 1/4$  po (65 mm  $\pm 6$  mm).

L'écart (3) entre l'avant du boîtier du corps de robinetterie brute et les montants doit être de  $1\ 1/8$  po  $\pm 1/8$  po.

L'écart (4) entre l'entretoise (2) et l'avant du chapeau doit être de  $3\ 7/8$  po (99 mm). (A titre indicatif seulement).

**Note : L'écart autour du boîtier du corps de robinetterie brute ne doit pas dépasser  $1/4$  po (6 mm). Utilisez le modèle à la page 5.**

# 2



**A.** Connect valve body to water supplies using the proper fittings for your valve body type (copper tubing, iron pipe or Pex).  
**Note:** For PEX, be sure to use the right fitting for crimping and the right tool for cold expansion.  
 If any of the three outlet ports is to be unused, seal the port with a pipe plug.  
**Note:** On rough-in box (C) is the cold

inlet port and (H) is the hot inlet port. Plug right diverter port (3) (marked as 3 on rough-in box) if using a 3 function diverter.  
 If you are making a back to back or reverse installation (hot on right and cold on left) install the valve body as described, but the water supply lines will be reversed.  
**Note:** (C) is the hot inlet port and (H) is the cold inlet port.

**B.** Remove bonnets (1), rough-in box (3) and test caps (2) before soldering. **Warning: Avoid soldering at high temperature. Be sure stops (4) are removed from the w/stops version before soldering. (Do not install before soldering.)**  
**Note:** Be sure to replace rough-in box (3) and other components after soldering.

**A.** Conecte el cuerpo de la válvula de suministro de agua usando los accesorios apropiados para su tipo de cuerpo de válvula (tubería de cobre, tubería de hierro o de PEX).  
**Nota:** Para PEX, asegúrese de utilizar el ajuste correcto para prensar y la herramienta adecuada para la expansión en frío.  
 Si cualquiera de los tres puertos de salida no se va a usar, selle el puerto con un tapón de tubo.  
**Nota:** En la caja del componente de las tuberías internas se encuentra la entrada del agua fría (C) y el puerto de entrada de agua caliente (H) . Tape el puerto del desviador a

la derecha (3) (marcado como 3 en la caja de tuberías preliminares) si se utiliza un desviador de 3 funciones.  
 Si usted está haciendo una instalación de dorso con dorso o inversa a la instalación (caliente en la derecha y fría en la izquierda) instale el cuerpo de la válvula como se ha descrito, pero se requiere invertir las líneas de suministro de agua.  
**Nota:** (C) sería la entrada de agua caliente (H) sería la entrada del agua fría.

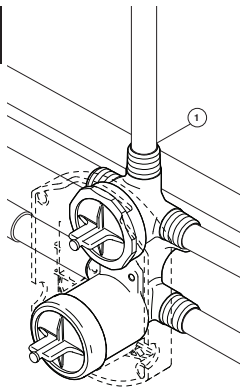
**B.** Retire los casquetes (1), la caja de las tuberías preliminares/ detrás de la pared (3) y las tapas de prueba (2) antes de soldar. **Advertencia: evite soldar a temperaturas altas. Asegúrese que los toques de límite (4) se hayan retirado de los toques en la versión c/ toques antes de soldar. (No instale antes de soldar.)**  
**Nota:** asegúrese de volver a colocar la caja de la tubería preliminar (3) y los otros componentes antes de soldar.

**A.** Raccordez le corps de robinetterie brute aux tuyaux d'alimentation en eau en utilisant des raccords adaptés au type du corps de robinetterie (cuivre, fer ou PEX).  
**note:** Si vous utilisez du PEX, assurez-vous d'utiliser le bon raccord à sertir et le bon outil de dilatation à froid. Si l'un des trois orifices de sortie est inutilisé, obturez-le avec un bouchon à tuyau.  
**Note:** Sur le boîtier du corps de robinetterie brute, (C) est l'orifice d'entrée d'eau froide et (H) est l'orifice d'entrée d'eau chaude. Obtenez l'orifice pour l'inverseur

(3) (identifié par le chiffre 3 sur le boîtier du corps de robinetterie brute) si vous utilisez un inverseur à 3 fonctions.  
 Si vous faites une installation dos-à-dos ou inversée (eau chaude à droite et au froide à gauche), installez le corps de robinetterie de la manière décrite, mais inversez la tuyauterie d'alimentation en eau.  
**Note:** (C) est l'orifice d'entrée d'eau chaude et (H) est l'orifice d'entrée d'eau froide.

**B.** Enlevez les chapeaux (1), le boîtier du corps de robinetterie brute (3) et les capuchons d'essai (2) avant d'effectuer le brasage. **Mise en garde :** Évitez le brasage à haute température. Sur la version munie de robinets d'arrêt (4), enlevez les robinets d'arrêt avant d'entreprendre le brasage. (N'installez pas les robinets d'arrêt avant le brasage.) **Note :** N'oubliez pas de remettre le boîtier du corps de robinetterie (3) et les autres pièces en place après le brasage.

3

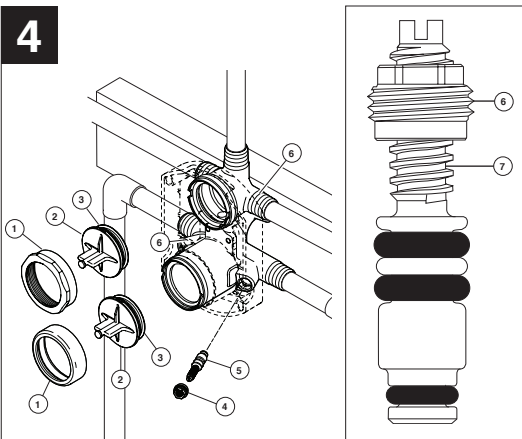


Connect top outlet port (1) to shower pipe with proper fittings.

Conecte la salida de arriba (1) a la tubería de la regadera con los accesorios apropiados.

À l'aide des records appropriés, raccordez l'orifice supérieur (1) au tuyau de la douche.

4



#### PRESSURE TESTING & FLUSHING THE INSTALLATION

Prior to testing, remove bonnets (1) and caps (2). Ensure O-rings (3) are properly installed. Reinstall cap and bonnet and tighten securely. Using the test plug provided, plug outlets with proper fittings. Check for leaks. After testing remove outlet plugs and flush system. Install stops (4 & 5) in the w/stops version and set to full open. **Note: Install stops in the w/stops version as follows: Thread nut (4) on stem (5) as shown. Then press stem and nut assembly into body (6) and tighten using a 3/8", 6 point, deep well socket. With a flat head screwdriver, adjust stem clockwise to close and counterclockwise to open.**

#### PRUEBA DE PRESIÓN Y LIMPIEZA DE LA INSTALACIÓN

Antes de probar, quite los casquetes (1) y las tapas (2). Asegure que las juntas tóricas (3) están instaladas correctamente. Vuelva a colocar la tapa y el casquete y apriete firmemente. Usando el tapón de prueba proporcionado, conecte salidas con los accesorios apropiados. Asegúrese que no hayan fugas o filtraciones de agua. Después de hacer las pruebas, quite los taponos de salida y deje correr el agua por el sistema. Instale los topes (4 y 5) en la versión que viene con topes y abra el agua completamente abierta. **Nota: Instale los topes en la versión que viene con topes de la siguiente manera: atornille la tuerca (4) en la espiga (5) como se muestra. Luego presione el ensamble de la espiga y la tuerca en el cuerpo (7) y apriete utilizando una llave de copa de 3/8" y 6 puntos. Con un destornillador de cabeza plana, ajuste la espiga hacia la derecha para cerrar y hacia la izquierda para abrir.**

#### ESSAI SOUS PRESSION ET RINÇAGE DE L'INSTALLATION

Avant d'effectuer la mise à l'épreuve, enlevez les chapeaux (1) et les capuchons (2). Assurez-vous que les joints toriques (3) sont bien installés. Reposez les capuchons ainsi que les chapeaux et serrez-les solidement. À l'aide des bouchons d'essai fournis, obturez les orifices de sortie. Cherchez à déceler des fuites. Une fois la mise à l'épreuve terminée, enlevez les bouchons des sorties et rincez le système. Sur la version munie de robinets d'arrêt, installez les robinets d'arrêt (4 et 5), puis ouvrez-les à fond. **Note : Sur une version munie de robinets d'arrêt, installez les robinets d'arrêt de la manière suivante : Vissez l'écrou (4) sur la tige (5) de la manière indiquée sur la figure. Enfoncez ensuite la tige avec l'écrou dans le corps (7) et serrez à l'aide d'une douille longue à 6 pans de 3/8 po. À l'aide d'un tournevis à extrémité plate, tournez la tige dans le sens horaire pour fermer le robinet et dans le sens antihoraire pour l'ouvrir.**

**Wall Finish Template / Terminado plantilla de pared / Gabarit pour le mur fini**

**Notice**  
 Property damage and water leak possible. Follow instructions for finished opening.

**Aviso**  
 Daños a la propiedad y el agua se filtran posible. Siga las instrucciones para la apertura terminada.

**Avis**  
 Dommages à la propriété et de l'eau de fuite possible. Suivez les instructions pour l'ouverture terminée.

When finishing the shower walls, be sure to bring finished surface to within 1/4" of the rough-in box. For thick wall installations, the rough-in box or this template can be used to correctly locate and size the opening.

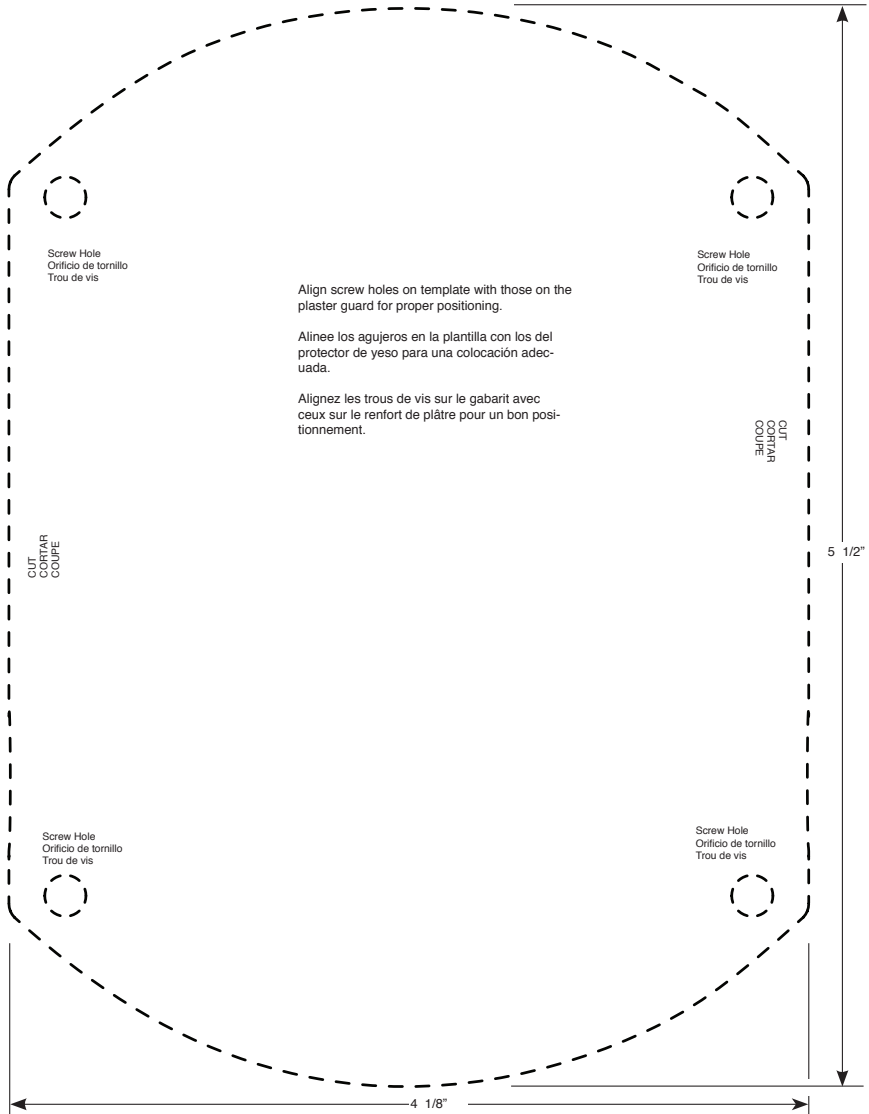
Al terminar las paredes de la ducha, asegúrese de traer superficie acabada dentro de 1/4" del protector de yeso. Para instalaciones en paredes gruesas, la cubierta del protector de yeso o de esta plantilla se puede utilizar para localizar correctamente y el tamaño de la abertura.

Lors de la finition des murs de la douche, n'oubliez pas d'apporter surface finie à l'intérieur 1/4 po de la garde de plâtre. Pour les installations à paroi épaisse, la couverture de garde de plâtre ou de ce modèle peuvent être utilisés pour localiser correctement et la taille de l'ouverture.

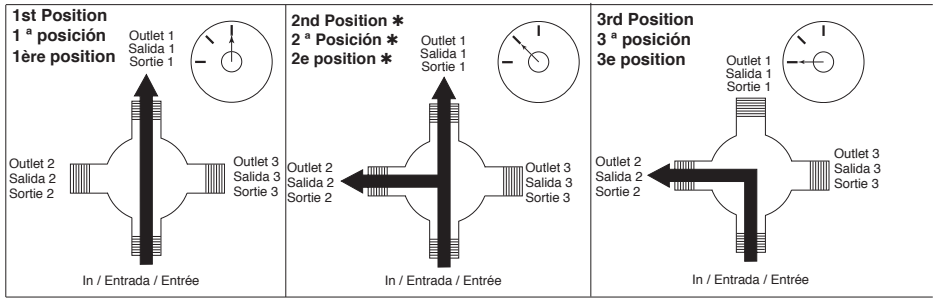
If using the rough-in, install screws to allow adjustment of the cover to the finished wall thickness.

Si se utiliza la cubierta protector de yeso, instale los tornillos que permitan el ajuste de la cubierta con el espesor de la pared terminada.

Si vous utilisez le couvercle de protection en plâtre, installer des vis qui permettraient l'ajustement de la couverture de l'épaisseur du mur fini.

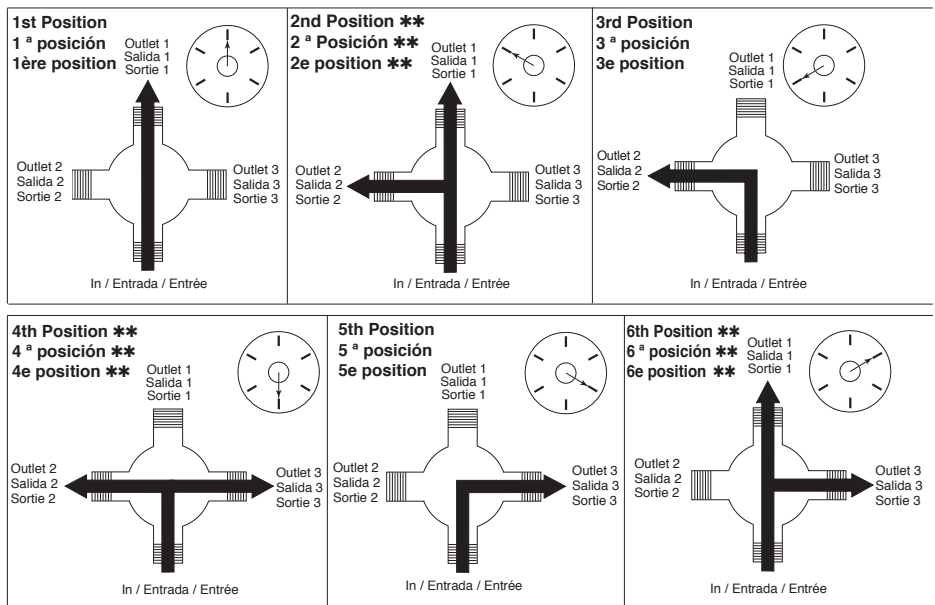


**Water Flow For 3 Function Diverter / Flujo de agua para Desviadores de 3 posiciones / Écoulement de l'eau pour les inverseurs à 3 positions**



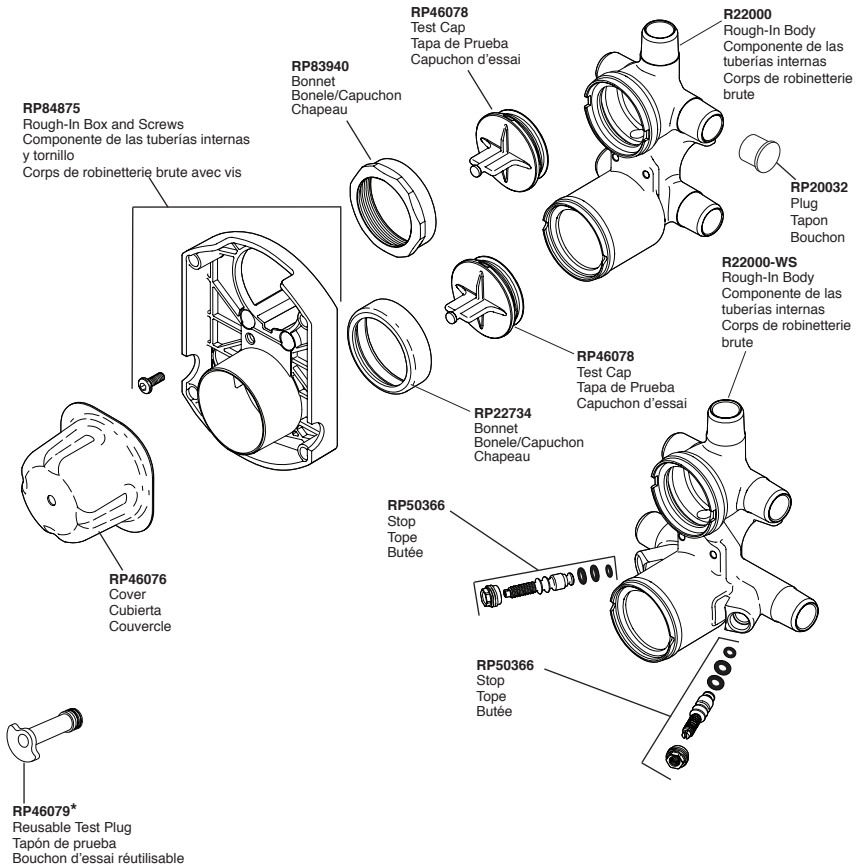
- \* Shared positions do not exist in non-shared cartridges.
- \* Los ajustes o posiciones compartidas no existen en los cartuchos no-compartidos.
- \* Comme leur nom l'indique, les cartouches sans position partagée ne comportent aucune position partagée.

**Water Flow For 6 Function Diverter / Flujo de agua para Desviadores de 6 posiciones / Écoulement de l'eau pour les inverseurs à 6 positions**



- \*\* Shared positions do not exist in non-shared cartridges.
- \*\* Los ajustes o posiciones compartidas no existen en los cartuchos no-compartidos.
- \*\* Comme leur nom l'indique, les cartouches sans position partagée ne comportent aucune position partagée.

**Replacement Parts**  
**Piezas de Repuesto**  
**Pièces de rechange**



\*Used to plug one inlet side (Hot or Cold) to prevent cross flow when checking for leaks before the cartridge is installed. Insert into the inlet, place test cap and use the bonnet to secure in place.

\*For WS models close one of the inlet stops to prevent cross-flow.

\*Tapaban una entrada lateral (caliente o frío) para prevenir flujo cruzado cuando la comprobación para saber si hay escapes antes del cartucho está instalada. El relleno en la entrada, casquillo de la prueba del lugar y utiliza el capo para asegurar en lugar.

\*Branchaient une admission latérale (chaud ou froid) pour empêcher l'écoulement en travers quand la vérification les fuites avant le cartouche est installée. L'insertion dans l'admission, chapeau d'essai d'endroit et emploient le capot pour fixer en place.

## Limited Warranty on Delta® Faucets

### Parts and Finish

All parts (other than electronic parts and batteries) and finishes of this Delta® faucet are warranted to the original consumer purchaser to be free from defects in material and workmanship for as long as the original consumer purchaser owns the home in which the faucet was first installed or, for commercial users, for 5 years from the date of purchase.

### Electronic Parts and Batteries (if applicable)

Electronic parts (other than batteries), if any, of this Delta® faucet are warranted to the original consumer purchaser to be free from defects in material and workmanship for 5 years from the date of purchase or, for commercial users, for one year from the date of purchase. No warranty is provided on batteries.

Delta Faucet Company will replace, FREE OF CHARGE, during the applicable warranty period, any part or finish that proves defective in material and/or workmanship under normal installation, use and service. If repair or replacement is not practical, Delta Faucet Company may elect to refund the purchase price in exchange for the return of the product. **These are your exclusive remedies.**

Delta Faucet Company recommends using a professional plumber for all installation and repair. We also recommend that you use only genuine Delta® replacement parts.

Delta Faucet Company shall not be liable for any damage to the faucet resulting from misuse, abuse, neglect or improper or incorrectly performed installation, maintenance or repair, including failure to follow the applicable care and cleaning instructions.

Replacement parts may be obtained by calling the applicable number below or by writing to:

### In the United States and Mexico:

Delta Faucet Company  
Product Service  
55 E. 111th Street  
Indianapolis, IN 46280  
1-800-345-DELTA (3358)  
customerservice@deltafaucet.com

### In Canada:

Masco Canada Limited, Plumbing Group  
Technical Service Centre  
350 South Edgeware Road  
St. Thomas, Ontario, Canada N5P 4L1  
1-800-345-DELTA (3358)  
customerservice@mascocanada.com

Proof of purchase (original sales receipt) from the original purchaser must be made available to Delta Faucet Company for all warranty claims unless the purchaser has registered the product with Delta Faucet Company. This warranty applies only to Delta® faucets manufactured after January 1, 1995 and installed in the United States of America, Canada and Mexico.

DELTA FAUCET COMPANY SHALL NOT BE LIABLE FOR ANY SPECIAL, INCIDENTAL OR CONSEQUENTIAL DAMAGES (INCLUDING LABOR CHARGES) FOR BREACH OF ANY EXPRESS OR IMPLIED WARRANTY ON THE FAUCET. Some states/provinces do not allow the exclusion or limitation of special, incidental or consequential damages, so these limitations and exclusions may not apply to you. This warranty gives you special legal rights. You may also have other rights which vary from state/province to state/province.

This is Delta Faucet Company's exclusive written warranty and the warranty is not transferable.

If you have any questions or concerns regarding our warranty, please view our Warranty FAQs at [www.deltafaucet.com](http://www.deltafaucet.com), email us at [customerservice@deltafaucet.com](mailto:customerservice@deltafaucet.com) or call us at the applicable number above.

© 2016 Masco Corporation of Indiana

## Garantía Limitada de las Llaves de Agua (grifos) Delta®

### Piezas y acabado

Todas las piezas (excepto las piezas electrónicas y las pilas) y los acabados de esta llave de agua Delta® están garantizados al consumidor comprador original de estar libres de defectos en material y fabricación durante el tiempo que el comprador original posea la vivienda en la que la llave de agua fue originalmente instalada o, para los consumidores comerciales, durante 5 años a partir de la fecha de compra.

### Componentes electrónicos y pilas (si aplicable)

Todas las piezas (salvo las pilas), si hay, de esta llave de agua Delta® están garantizadas al consumidor comprador original de estar libres de defectos en materiales y fabricación durante 5 años a partir de la fecha de compra, para los usuarios comerciales, por un año a partir de la fecha de compra. No se garantizan las pilas.

Delta Faucet Company reemplazará, SIN CARGO, durante el período de garantía aplicable, cualquier pieza o acabado que pruebe tener defectos de material y/o fabricación bajo la instalación, uso y servicio normal. Si la reparación o su reemplazo no es práctico, Delta Faucet Company tiene la opción de reembolsarle su dinero por la cantidad del precio de compra a cambio de la devolución del producto. **Estos son sus únicos recursos.**

Delta Faucet Company recomienda que use los servicios de un plomero profesional para todas las instalaciones y reparaciones. También le recomendamos que utilice sólo las piezas de repuesto originales de Delta®.

Delta Faucet Company no será responsable por cualquier daño a la llave de agua que resulte del mal uso, abuso, negligencia o mala instalación o mantenimiento o reparación incorrecta, incluyendo el no seguir los cuidados aplicables y las instrucciones de limpieza.

Las piezas de repuesto se pueden obtener llamando al número correspondiente más abajo, o escribiendo a:

### En los Estados Unidos y México:

Delta Faucet Company  
Product Service  
55 E. 111th Street  
Indianapolis, IN 46280  
1 800 345 DELTA (3358)  
customerservice@deltafaucet.com

### En Canadá:

Masco Canada Limited, Plumbing Group  
Technical Service Centre  
350 South Edgeware Road  
St. Thomas, Ontario, Canada N5P 4L1  
1 800 345 DELTA (3358)  
customerservice@mascocanada.com

La prueba de compra (recibo original) del comprador original debe ser disponible a Delta Faucet Company para todos los reclamos a menos que el comprador haya registrado el producto con Delta Faucet Company. Esta garantía le aplica sólo a las llaves de agua de Delta® fabricadas después del 1 de enero 1995 e instaladas en los Estados Unidos de América, Canada y México.

DELTA FAUCET COMPANY NO SE HACE RESPONSABLE POR CUALQUIER DAÑO ESPECIAL, INCIDENTAL O CONSECUENTE (INCLUYENDO LOS GASTOS DE MANO DE OBRA) POR EL INCUMPLIMIENTO DE CUALQUIER GARANTÍA EXPRESA O IMPLÍCITA DE LA LLAVE DE AGUA. Algunos estados/provincias no permiten la exclusión o limitación de daños especiales, incidentales o consecuentes, por lo que estas limitaciones y exclusiones pueden no aplicarle a usted. Esta garantía le otorga derechos legales. Usted también puede tener otros derechos que varían de estado/provincia a estado/provincia.

Esta es la garantía exclusiva por escrito de Delta Faucet Company y la garantía no es transferible.

Si usted tiene alguna pregunta o inquietud acerca de nuestra garantía, por favor, vea nuestra sección de preguntas frecuentes FAQ sobre la garantía en [www.deltafaucet.com](http://www.deltafaucet.com), también puede enviarnos un correo electrónico a [customerservice@deltafaucet.com](mailto:customerservice@deltafaucet.com) o llámanos al número que le correspondía anteriormente incluido.

© 2016 Masco Corporation of Indiana

## Garantie limitée des robinets Delta®

### Pièces et finis

Toutes les pièces (à l'exception des composants électroniques et des piles) et tous les finis de ce robinet Delta® sont protégés contre les détériorités du matériau et les vices de fabrication par une garantie qui est consentie au premier acheteur et qui demeure valide tant que celui-ci demeure propriétaire de la maison dans laquelle le robinet a été installé. Dans le cas d'une utilisation commerciale, la garantie est de 5 ans à compter de la date d'achat.

### Composants électroniques et piles (le cas échéant)

Si ce robinet Delta® comporte des composants électroniques, ces composants (à l'exception des piles) sont protégés contre les détériorités du matériau et les vices de fabrication par une garantie consentie au premier acheteur qui est d'une durée de 5 ans à compter de la date d'achat. Dans le cas d'une utilisation commerciale, la garantie est d'un an à compter de la date d'achat. Aucune garantie ne couvre les piles.

Delta Faucet Company remplacera, GRATUITEMENT, pendant la période de garantie applicable, toute pièce ou tout fini qui présentera une détériorité du matériau et/ou un vice de fabrication sur autant que le robinet ait été installé, utilisé et entretenu normalement. Si c'est impossible de réparer ou de remplacer le robinet, Delta Faucet Company pourra décider de rembourser le prix d'achat du produit pour autant que celui-ci lui soit retourné. **Il s'agit de vos seuls recours.**

Delta Faucet Company recommande de confier l'installation et la réparation à un plombier professionnel. Nous vous recommandons également d'utiliser uniquement des pièces de rechange authentiques Delta®.

Delta Faucet Company se dégage de toute responsabilité à l'égard des dommages causés au robinet en raison d'un mauvais usage, d'un usage abusif, de la négligence ou de l'utilisation d'une méthode d'installation, de maintenance ou de réparation incorrecte ou inadéquate, y compris les dommages résultant du non-respect des instructions de nettoyage et d'entretien applicables.

Pour obtenir des pièces de rechange, veuillez appeler au numéro applicable ci-dessous ou écrire à l'adresse applicable ci-dessous.

### Aux États-Unis et au Mexique :

Delta Faucet Company  
Product Service  
55 E. 111th Street  
Indianapolis, IN 46280  
1-800-345-DELTA (3358)  
customerservice@deltafaucet.com

### Au Canada:

Masco Canada Limited, Plumbing Group  
Technical Service Centre  
350 South Edgeware Road  
St. Thomas, Ontario, Canada N5P 4L1  
1-800-345-DELTA (3358)  
customerservice@mascocanada.com

La preuve d'achat (reçu original) du premier acheteur doit être présentée à Delta Faucet Company pour toutes les demandes en vertu de la garantie, sauf si le produit a été enregistré auprès de Delta Faucet Company. La présente garantie s'applique uniquement aux robinets Delta® fabriqués après le 1er janvier 1995 et installés aux États-Unis d'Amérique, au Canada et au Mexique.

DELTA FAUCET COMPANY SE DÉGAGE DE TOUTE RESPONSABILITÉ À L'ÉGARD DES DOMMAGES PARTICULIERS, CONSÉQUENTS OU INDIRECTS (Y COMPRIS LES FRAIS DE MAIN-D'ŒUVRE) QUI POURRAIENT RÉSULTER DE LA VIOLATION D'UNE GARANTIE IMPLICITE OU EXPLICITE QUELCONQUE SUR LE ROBINET. Dans les États ou les provinces où il est interdit de limiter ou d'exclure la responsabilité à l'égard des dommages particuliers, consécutifs ou indirects, les limites et les exclusions susmentionnées ne s'appliquent pas. La présente garantie vous donne des droits précis qui peuvent varier selon l'État ou la province où vous résidez.

La présente garantie écrite est la garantie exclusive offerte par Delta Faucet Company et elle n'est pas transférable.

Si vous avez des questions ou des préoccupations en ce qui concerne notre garantie, veuillez consulter la page Warranty FAQs à [www.deltafaucet.com](http://www.deltafaucet.com), faire parvenir un courriel à [customerservice@deltafaucet.com](mailto:customerservice@deltafaucet.com) ou nous appeler au numéro applicable.

© 2016 Division de Masco Indiana



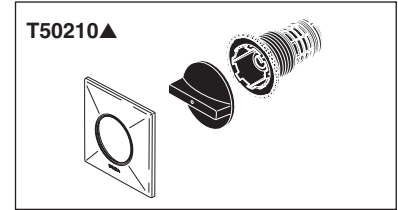
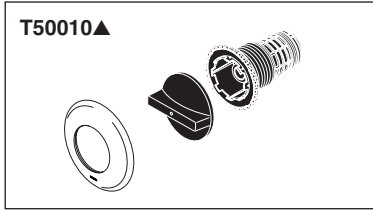


78403

HYDRACHOICE™ BODY SPRAY TRIM
ACCESORIO DEL ROCIADOR PARA EL CUERPO HYDRACHOICE™
FINITION DU JET CORPOREL HYDRACHOICE™

Models/Modelos/Modèles
T50010▲ & T50210▲
Series/Series/Seria

▲ Specify Finish / Especificque el Acabado / Précisez le fini



Limited Warranty on Delta® Faucets

Parts and Finish

All parts (other than electronic parts and batteries) and finishes of this Delta® faucet are warranted to the original consumer purchaser to be free from defects in material and workmanship for as long as the original consumer purchaser owns the home in which the faucet was first installed or, for commercial users, for 5 years from the date of purchase.

Electronic Parts and Batteries (if applicable)

Electronic parts (other than batteries), if any, of this Delta® faucet are warranted to the original consumer purchaser to be free from defects in material and workmanship for 5 years from the date of purchase or, for commercial users, for one year from the date of purchase. No warranty is provided on batteries.

Delta Faucet Company will replace, FREE OF CHARGE, during the applicable warranty period, any part or finish that proves defective in material and/or workmanship under normal installation, use and service. If repair or replacement is not practical, Delta Faucet Company may elect to refund the purchase price in exchange for the return of the product. These are your exclusive remedies.

Delta Faucet Company recommends using a professional plumber for all installation and repair. We also recommend that you use only genuine Delta® replacement parts.

Delta Faucet Company shall not be liable for any damage to the faucet resulting from misuse, abuse, neglect or improper or incorrectly performed installation, maintenance or repair, including failure to follow the applicable care and cleaning instructions.

Replacement parts may be obtained by calling the applicable number below or by writing to:

In the United States and Mexico:

Delta Faucet Company
Product Service
55 E. 111th Street
Indianapolis, IN 46280
1-800-345-DELTA (3358)
customerservice@deltafaucet.com

In Canada:

Masco Canada Limited, Plumbing Group
Technical Service Centre
350 South Edgeware Road
St. Thomas, Ontario, Canada N5P 4L1
1-800-345-DELTA (3358)
customerservice@mascocanada.com

Proof of purchase (original sales receipt) from the original purchaser must be made available to Delta Faucet Company for all warranty claims unless the purchaser has registered the product with Delta Faucet Company. This warranty applies only to Delta® faucets manufactured after January 1, 1995 and installed in the United States of America, Canada and Mexico.

DELTA FAUCET COMPANY SHALL NOT BE LIABLE FOR ANY SPECIAL, INCIDENTAL OR CONSEQUENTIAL DAMAGES (INCLUDING LABOR CHARGES) FOR BREACH OF ANY EXPRESS OR IMPLIED WARRANTY ON THE FAUCET. Some states/provinces do not allow the exclusion or limitation of special, incidental or consequential damages, so these limitations and exclusions may not apply to you. This warranty gives you special legal rights. You may also have other rights which vary from state/province to state/province.

This is Delta Faucet Company's exclusive written warranty and the warranty is not transferable.

If you have any questions or concerns regarding our warranty, please view our Warranty FAQs at www.deltafaucet.com, email us at customerservice@deltafaucet.com or call us at the applicable number above.

Garantía Limitada de las Llaves de Agua (grifos) Delta®

Piezas y acabado

Todas las piezas (excepto las piezas electrónicas y las pilas) y los acabados de esta llave de agua Delta® están garantizados al consumidor comprador original de estar libres de defectos en material y fabricación durante el tiempo que el comprador original posea la vivienda en la que la llave de agua fue originalmente instalada o, para los consumidores comerciales, durante 5 años a partir de la fecha de compra.

Componentes electrónicos y pilas (si aplicable)

Todas las piezas (salvo las pilas), si hay, de esta llave de agua Delta® están garantizadas al consumidor comprador original de estar libres de defectos en materiales y fabricación durante 5 años a partir de la fecha de compra o, para los usuarios comerciales, por un año a partir de la fecha de compra. No se garantizan las pilas.

Delta Faucet Company reemplazará, SIN CARGO, durante el período de garantía aplicable, cualquier pieza o acabado que pruebe tener defectos de material y/o fabricación bajo la instalación, uso y servicio normal. Si la reparación o su reemplazo no es práctico, Delta Faucet Company tiene la opción de reembolsarle su dinero por la cantidad del precio de compra a cambio de la devolución del producto. Estos son sus únicos recursos.

Delta Faucet Company recomienda que use los servicios de un plomero profesional para todas las instalaciones y reparaciones. También le recomendamos que utilice sólo las piezas de repuesto originales de Delta®.

Delta Faucet Company no será responsable por cualquier daño a la llave de agua que resulte del mal uso, abuso, negligencia o mala instalación o mantenimiento o reparación incorrecta, incluyendo el no seguir los cuidados aplicables y las instrucciones de limpieza.

Las piezas de repuesto se pueden obtener llamando al número correspondiente más abajo, o escribiendo a:

En los Estados Unidos y México:

Delta Faucet Company
Product Service
55 E. 111th Street
Indianapolis, IN 46280
1 800 345 DELTA (3358)
customerservice@deltafaucet.com

En Canadá:

Masco Canada Limited, Plumbing Group
Technical Service Centre
350 South Edgeware Road
St. Thomas, Ontario, Canada N5P 4L1
1 800 345 DELTA (3358)
customerservice@mascocanada.com

La prueba de compra (recibo original) del comprador original debe ser disponible a Delta Faucet Company para todos los reclamos a menos que el comprador haya registrado el producto con Delta Faucet Company. Esta garantía le aplica sólo a las llaves de agua de Delta® fabricadas después del 1 de enero 1995 e instaladas en los Estados Unidos de América, Canadá y México.

DELTA FAUCET COMPANY NO SE HACE RESPONSABLE POR CUALQUIER DAÑO ESPECIAL, INCIDENTAL O CONSECUENTE (INCLUYENDO LOS GASTOS DE MANO DE OBRA) POR EL INCUMPLIMIENTO DE CUALQUIER GARANTÍA EXPRESA O IMPLÍCITA DE LA LLAVE DE AGUA. Algunos estados/provincias no permiten la exclusión o limitación de daños especiales, incidentales o consecuentes, por lo que estas limitaciones y exclusiones pueden no aplicarle a usted. Esta garantía le otorga derechos legales. Usted también puede tener otros derechos que varían de estado/provincia a estado/provincia.

Esta es la garantía exclusiva por escrito de Delta Faucet Company y la garantía no es transferible.

Si usted tiene alguna pregunta o inquietud acerca de nuestra garantía, por favor, vea nuestra sección de preguntas frecuentes FAQ sobre la garantía en www.deltafaucet.com, también puede enviarnos un correo electrónico a customerservice@deltafaucet.com o llámenos al número que le corresponda anteriormente incluido.

Garantie limitée des robinets Delta®

Pièces et finis

Toutes les pièces (à l'exception des composants électroniques et des piles) et tous les finis de ce robinet Delta® sont protégés contre les défauts du matériau et les vices de fabrication par une garantie qui est consentie au premier acheteur et qui demeure valide tant que celui-ci demeure propriétaire de la maison dans laquelle le robinet a été installé. Dans le cas d'une utilisation commerciale, la garantie est de 5 ans à compter de la date d'achat.

Composants électroniques et piles (le cas échéant)

Si ce robinet Delta® comporte des composants électroniques, ces composants (à l'exception des piles) sont protégés contre les défauts du matériau et les vices de fabrication par une garantie consentie au premier acheteur qui est d'une durée de 5 ans à compter de la date d'achat. Dans le cas d'une utilisation commerciale, la garantie est d'un an à compter de la date d'achat. Aucune garantie ne couvre les piles.

Delta Faucet Company remplacera, GRATUITEMENT, pendant la période de garantie applicable, toute pièce ou tout fini qui présentera une défectuosité du matériau et/ou un vice de fabrication pour autant que le robinet ait été installé, utilisé et entretenu normalement. S'il est impossible de réparer ou de remplacer le robinet, Delta Faucet Company pourra décider de rembourser le prix d'achat du produit pour autant que celui-ci lui soit retourné. Il s'agit de vos seuls recours.

Delta Faucet Company recommande de confier l'installation et la réparation à un plombier professionnel. Nous vous recommandons également d'utiliser uniquement des pièces de rechange authentiques Delta®.

Delta Faucet Company se dégage de toute responsabilité à l'égard des dommages causés au robinet en raison d'un mauvais usage, d'un usage abusif, de la négligence ou de l'utilisation d'une méthode d'installation, de maintenance ou de réparation incorrecte ou inadéquate, y compris les dommages résultant du non-respect des instructions de nettoyage et d'entretien applicables.

Pour obtenir des pièces de rechange, veuillez appeler au numéro applicable ci-dessous ou écrire à l'adresse applicable ci-dessous.

Aux États-Unis et au Mexique :

Delta Faucet Company
Product Service
55 E. 111th Street
Indianapolis, IN 46280
1-800-345-DELTA (3358)
customerservice@deltafaucet.com

Au Canada:

Masco Canada Limited, Plumbing Group
Technical Service Centre
350 South Edgeware Road
St. Thomas, Ontario, Canada N5P 4L1
1-800-345-DELTA (3358)
customerservice@mascocanada.com

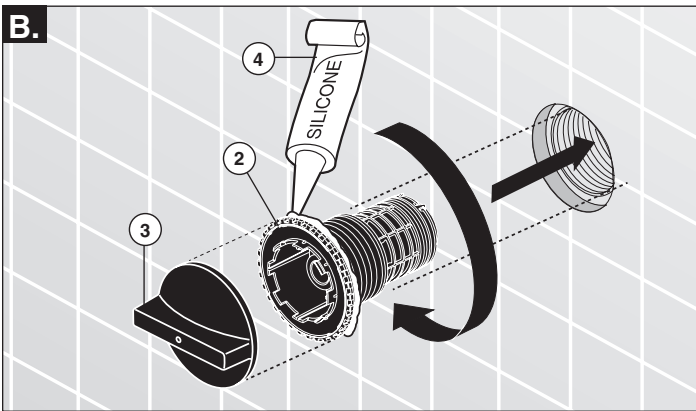
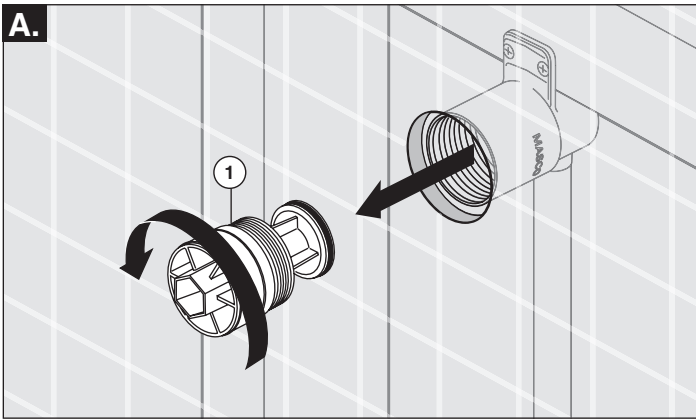
La preuve d'achat (reçu original) du premier acheteur doit être présentée à Delta Faucet Company pour toutes les demandes en vertu de la garantie, sauf si le produit a été enregistré auprès de Delta Faucet Company. La présente garantie s'applique uniquement aux robinets Delta® fabriqués après le 1er janvier 1995 et installés aux États-Unis d'Amérique, au Canada et au Mexique.

DELTA FAUCET COMPANY SE DÉGAGE DE TOUTE RESPONSABILITÉ À L'ÉGARD DES DOMMAGES PARTICULIERS, CONSÉCUTIFS OU INDIRECTS (Y COMPRIS LES FRAIS DE MAIN-D'OEUVRE) QUI POURRAIENT RÉSULTER DE LA VIOLATION D'UNE GARANTIE IMPLÍCITE OU EXPLÍCITE QUELCONQUE SUR LE ROBINET. Dans les États ou les provinces où il est interdit de limiter ou d'exclure la responsabilité à l'égard des dommages particuliers, consécutifs ou indirects, les limites et les exclusions susmentionnées ne s'appliquent pas. La présente garantie vous donne des droits précis qui peuvent varier selon l'État ou la province où vous résidez.

La présente garantie écrite est la garantie exclusive offerte par Delta Faucet Company et elle n'est pas transférable.

Si vous avez des questions ou des préoccupations en ce qui concerne notre garantie, veuillez consulter la page Warranty FAQs à www.deltafaucet.com, faire parvenir un courriel à customerservice@deltafaucet.com ou nous appeler au numéro applicable.

## Installing the Trim Module / Instalación del módulo del accesorio / Installation du module de finition



**A.** Remove the test cap/plaster guard (1) from the previously installed rough body and store for future use.

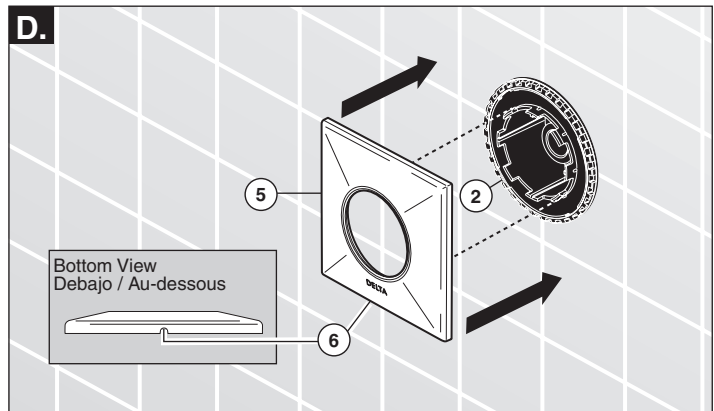
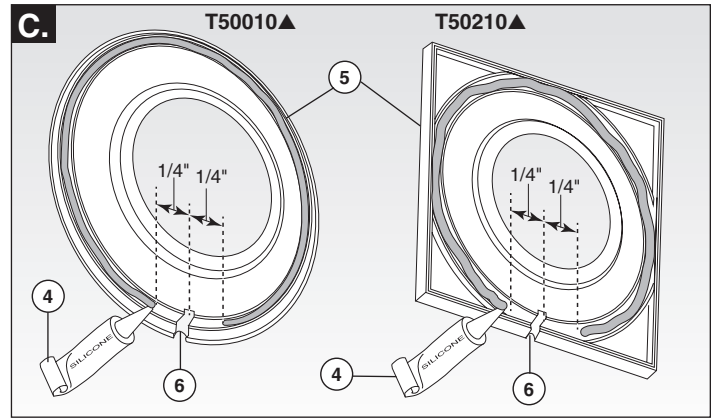
**B.** Apply the provided 100% plumbing silicone / adhesive (4) to back outer edge of trim module (2). Insert trim module (2) and tighten using tool (3). Tighten the trim module until the back surface of the module touches the finished wall. Do not over tighten, finger tight is adequate. Wipe excess silicone clean. Store tool (3) for future use.

**A.** Retire la tapa de prueba/el protector de yeso (1) de la unidad interna/detrás de la pared, previamente instalada y guarde para su uso futuro.

**B.** Aplique el proporcionado 100% de plomería silicona / adhesivo (4) hacer una copia de borde exterior del módulo de ajuste (2). Inserte el módulo de corte (2) y apriete con la herramienta (3). Apretar el módulo de ajuste hasta que la superficie posterior del módulo toca la pared acabada. No apriete, apretado el dedo es suficiente. Limpie el exceso de limpieza de silicona. Guarde la herramienta (3) para su uso futuro.

**A.** Enlevez le capuchon d'essai et le protecteur (1) du corps du jet installé précédemment et conservez-les.

**B.** Appliquez la plomberie fourni 100% silicone / adhésif (4) vers l'arrière le bord extérieur du module de garniture (2). Insérez le module de garniture jusqu'à ce que la surface arrière du module touche le mur fini. Ne pas trop serrer, serrer à la main est suffisant. Essuyer de silicone excès. Conservez l'outil en vue d'une utilisation ultérieure et rangez-le.



**C.** Apply the provided 100% plumbing silicone / adhesive (4) to the indicated flat surface of escutcheon (5) as shown. Take care not to cover the weep hole (6) with silicone/adhesive by leaving a 1/4" gap on either side of the hole.

**D.** Align escutcheon (5) with the retention tabs on trim module (2) making sure the weep hole (6) is positioned facing down as shown. **Note: Depending on your trim model the escutcheon may be round or square.** To ensure proper alignment for appearance, locator notches are provided along the entire circumference of the trim module outer flange. Once properly aligned, press firmly until the escutcheon snaps into place.

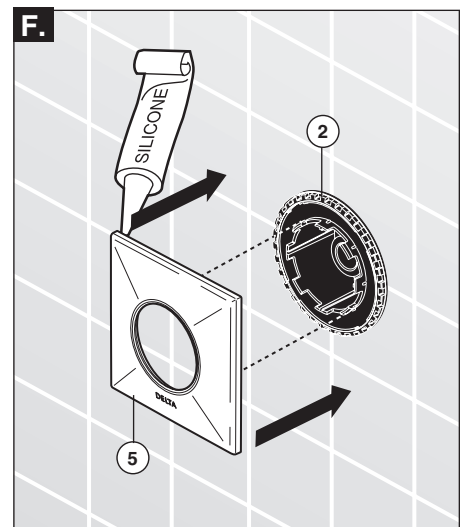
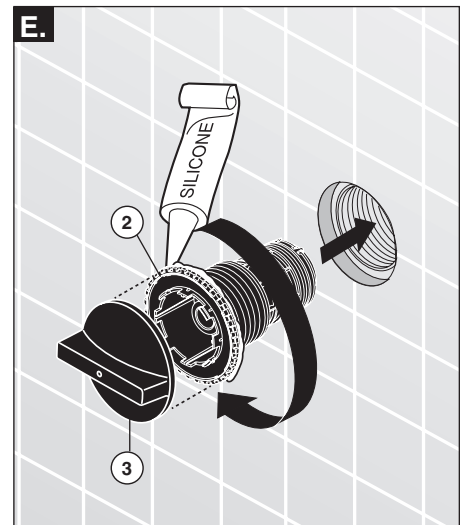
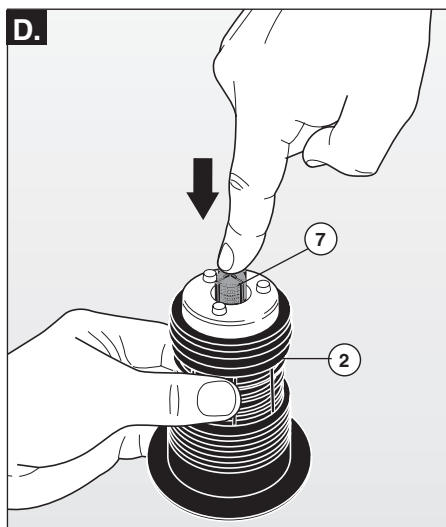
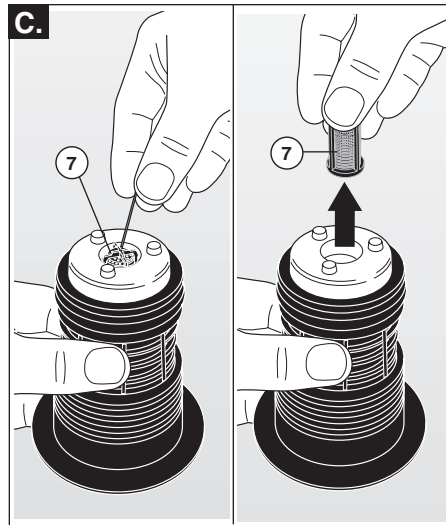
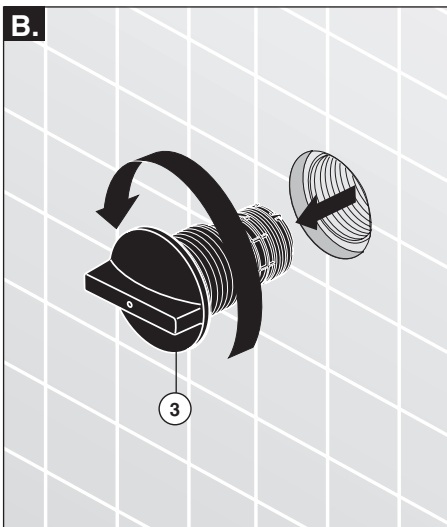
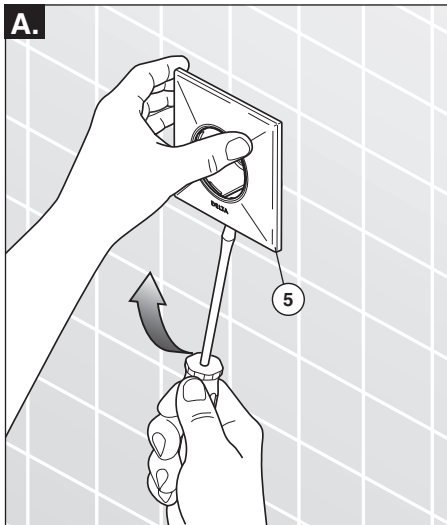
**C.** Aplicar el 100% de plomería de silicona / adhesivo proporcionado (4) a la superficie plana indicado de rosetón (5) como se muestra. Tenga cuidado de no tapar el orificio de drenaje (6) con silicona / adhesivo dejando una "brecha de 1/4 a cada lado del agujero.

**D.** Alinee la chapa de cubierta (5) con las lengüetas de retención del módulo del accesorio (2), asegurándose que el orificio de drenaje (6) está hacia abajo como se muestra. **Nota: Según el modelo del accesorio la chapa puede ser redonda o cuadrada.** Para asegurar una alineación correcta a la vista, las muescas para su ubicación se incluyen a lo largo de toda la circunferencia de la brida exterior del módulo del accesorio. Una vez que está correctamente alineado, presione firmemente hasta que la chapa encaje en su lugar.

**C.** Appliquez la plomberie fourni 100% silicone / adhésif (4) à la surface plane indiqué de rosace (5), comme illustré. Prenez soin de ne pas couvrir le trou d'évacuation (6) avec du silicone / adhésif en laissant un "écart de 1/4 de chaque côté du trou.

**D.** Faites correspondre la plaque de finition (5) avec les pattes de retenue du module de finition (2) et assurez-vous que le trou d'évacuation (6) se trouve au bas de celle-ci comme le montre la figure. **Note : Selon le modèle de la finition, la plaque de finition pourra être ronde ou carrée.** Pour garantir un positionnement procurant une belle apparence, il y a des doigts de détrompage sur toute la circonférence de la collerette extérieure du module de finition. Une fois que le module de finition est bien positionné, appuyez fermement sur la plaque de finition pour la caler.

**Cleaning the Trim Module Filter / Limpieza del filtro del módulo / Nettoyage du filtre du module**



**A.** Gently pry off the escutcheon starting at the weep hole located on the bottom of escutcheon (5). **Note: Take care not to damage the escutcheon finish.**

**B.** Remove the trim module using tool (3).

**C.** Carefully remove filter screen (7) and flush with water until clear of debris.

**D.** Place the cleaned filter screen (7) back into the trim module (2).

**E.** Place the trim module (2) back into the rough body and tighten with tool (3). **Note: Reapply plumbing silicone/adhesive per instruction "B" on page 2.**

**F.** Place escutcheon (5) back onto trim module (2) ensuring it snaps into place and is properly oriented. **Note: Reapply plumbing silicone/adhesive per instruction "C" on page 2.**

**A.** Palanquee suavemente el chapetón comenzando en el lado del orificio de drenaje situado en la parte inferior de cubierta (5). **Nota: Tenga cuidado de no dañar el acabado de la chapa.**

**B.** Retire el módulo que sujeta la chapa con la llave de tuercas (3).

**C.** Retire con cuidado el filtro de rejilla (7) y enjuague con agua hasta que esté limpia de residuos.

**D.** Coloque el filtro de rejilla limpio (7) de nuevo en el módulo del accesorio o chapa de cubierta (2).

**E.** Coloque el módulo del accesorio (2) de nuevo en la unidad interna/detrás de la pared y apriete con la herramienta de tuercas (3). **Nota: Vuelva a aplicar la plomería de silicona / adhesivo por instrucción "B" en la página 2.**

**F.** Coloque la chapa (5) de nuevo en el módulo del accesorio (2) asegurando que encaje en su lugar y esté orientado correctamente. **Nota: Vuelva a aplicar la plomería de silicona / adhesivo por instrucción "C" en la página 2.**

**A.** Écartez la plaque de finition doucement à partir du trou d'évacuation situé au bas de la plaque de finition (5). **Note : Prenez garde d'abîmer le fini de la plaque de finition.**

**B.** Enlevez le module de finition à l'aide de la clé (3).

**C.** Retirez le filtre métallique (7) doucement et rincez-le avec de l'eau pour enlever les corps étrangers.

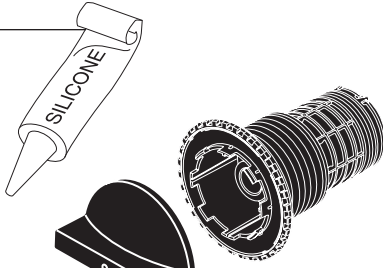
**D.** Remettez le filtre métallique (7) en place dans le module de finition (2).

**E.** Remettez le module (2) en place sur le corps du jet et fixez-le en serrant avec l'outil (3). **Note: Renouveler plomberie silicone / adhésif par instruction "B" à la page 2.**

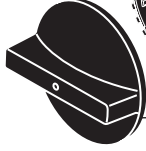
**F.** Remettez la plaque de finition (5) en place sur le module de finition (2) en prenant soin de bien la positionner et de la caler. **Note: Renouveler plomberie silicone / adhésif par instruction "C" à la page 2.**

## T50010▲

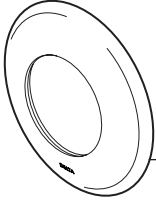
**RP78987**  
Silicone  
Silicona  
Siliconé



**RP79269**  
Tool  
Herramienta  
Outil



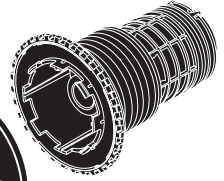
**RP77546▲**  
Escutcheon  
Chapa de cubierta  
Plaque de finition



▲ Specify Finish / Especificque el Acabado / Précisez le fini

## T50210▲

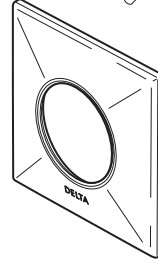
**RP78987**  
Silicone  
Silicona  
Siliconé



**RP79269**  
Tool  
Herramienta  
Outil



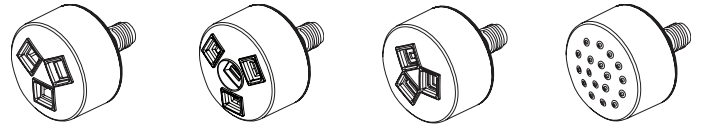
**RP77548▲**  
Escutcheon  
Chapa de cubierta  
Plaque de finition



▲ Specify Finish / Especificque el Acabado / Précisez le fini

**BODY SPRAY  
ROCIADOR PARA EL CUERPO  
BUSE DE PULVÉRISATION**

**78285**



SH84100▲  
SH5003▲

SH84101▲  
SH5005▲

SH84102▲  
SH5002▲

SH84103▲  
SH5000▲

Models/Modelos/Modèles  
SH84100▲, SH84101▲, SH84102▲, SH84103▲,  
SH5000▲, SH5002▲, SH5003▲, SH5005▲,  
Series/Series/Seria

▲ Specify Finish / Especifique el Acabado / Précisez le fini

**Limited Warranty on Delta® Faucets**

**Parts and Finish**

All parts (other than electronic parts and batteries) and finishes of this faucet are warranted to the original consumer purchaser to be free from defects in material and workmanship for as long as the original consumer purchaser owns the home in which the faucet was first installed or, for commercial users, for 5 years from the date of purchase.

**Electronic Parts and Batteries (if applicable)**

Electronic parts (other than batteries), if any, of this faucet are warranted to the original consumer purchaser to be free from defects in material and workmanship for 5 years from the date of purchase or, for commercial users, for one year from the date of purchase. No warranty is provided on batteries.

Delta Faucet Company will replace, FREE OF CHARGE, during the applicable warranty period, any part or finish that proves defective in material and/or workmanship under normal installation, use and service. If repair or replacement is not practical, Delta Faucet Company may elect to refund the purchase price in exchange for the return of the product. **These are your exclusive remedies.**

Delta Faucet Company recommends using a professional plumber for all installation and repair. We also recommend that you use only genuine Delta® replacement parts.

Delta Faucet Company shall not be liable for any damage to the faucet resulting from misuse, abuse, neglect or improper or incorrectly performed installation, maintenance or repair, including failure to follow the applicable care and cleaning instructions.

Replacement parts may be obtained by calling the applicable number below or by writing to:

**In the United States and Mexico:**

Delta Faucet Company  
Product Service  
55 E. 111th Street  
Indianapolis, IN 46280  
1-800-345-DELTA (3358)  
customerservice@deltafaucet.com

**In Canada:**

Masco Canada Limited, Plumbing Group  
Technical Service Centre  
350 South Edgeware Road  
St. Thomas, Ontario, Canada N5P 4L1  
1-800-345-DELTA (3358)  
customerservice@mascocanada.com

Proof of purchase (original sales receipt) from the original purchaser must be made available to Delta Faucet Company for all warranty claims unless the purchaser has registered the product with Delta Faucet Company. This warranty applies only to faucets manufactured after January 1, 1995 and installed in the United States of America, Canada and Mexico.

DELTA FAUCET COMPANY SHALL NOT BE LIABLE FOR ANY SPECIAL, INCIDENTAL OR CONSEQUENTIAL DAMAGES (INCLUDING LABOR CHARGES) FOR BREACH OF ANY EXPRESS OR IMPLIED WARRANTY ON THE FAUCET. Some states/provinces do not allow the exclusion or limitation of special, incidental or consequential damages, so these limitations and exclusions may not apply to you. This warranty gives you special legal rights. You may also have other rights which vary from state/province to state/province.

This is Delta Faucet Company's exclusive written warranty and the warranty is not transferable.

If you have any questions or concerns regarding our warranty, please view our Warranty FAQs at [www.deltafaucet.com](http://www.deltafaucet.com), email us at [customerservice@deltafaucet.com](mailto:customerservice@deltafaucet.com) or call us at the applicable number above.

© 2014 Masco Corporation of Indiana

**Garantía Limitada de las Llaves de Agua (grifos) Delta®**

**Piezas y acabado**

Todas las piezas (excepto las piezas electrónicas y las pilas) y los acabados de esta llave de agua están garantizados al consumidor comprador original de estar libres de defectos en material y fabricación durante el tiempo que el comprador original posea la vivienda en la que la llave de agua fue originalmente instalada o, para los consumidores comerciales, durante 5 años a partir de la fecha de compra.

**Componentes electrónicos y pilas (si aplicable)**

Todas las piezas (salvo las pilas), si hay, de esta llave de agua están garantizadas al consumidor comprador original de estar libres de defectos en materiales y fabricación durante 5 años a partir de la fecha de compra o, para los usuarios comerciales, por un año a partir de la fecha de compra. No se garantizan las pilas.

Delta Faucet Company reemplazará, SIN CARGO, durante el período de garantía aplicable, cualquier pieza o acabado que pruebe tener defectos de material y/o fabricación bajo la instalación, uso y servicio normal. Si la reparación o su reemplazo no es práctico, Delta Faucet Company tiene la opción de reembolsarle su dinero por la cantidad del precio de compra a cambio de la devolución del producto. **Estos son sus únicos recursos.**

Delta Faucet Company recomienda que use los servicios de un plomero profesional para todas las instalaciones y reparaciones. También le recomendamos que utilice sólo las piezas de repuesto originales de Delta®.

Delta Faucet Company no será responsable por cualquier daño a la llave de agua que resulte del mal uso, abuso, negligencia o mala instalación o mantenimiento o reparación incorrecta, incluyendo el no seguir los cuidados aplicables y las instrucciones de limpieza.

Las piezas de repuesto se pueden obtener llamando al número correspondiente más abajo, o escribiendo a:

**En los Estados Unidos y México:**

Delta Faucet Company  
Product Service  
55 E. 111th Street  
Indianapolis, IN 46280  
1 800 345 DELTA (3358)  
customerservice@deltafaucet.com

**En Canadá:**

Masco Canada Limited, Plumbing Group  
Technical Service Centre  
350 South Edgeware Road  
St. Thomas, Ontario, Canada N5P 4L1  
1 800 345 DELTA (3358)  
customerservice@mascocanada.com

La prueba de compra (recibo original) del comprador original debe ser disponible a Delta Faucet Company para todos los reclamos a menos que el comprador haya registrado el producto con Delta Faucet Company. Esta garantía le aplica sólo a las llaves de agua de fabricadas después del 1 de enero 1995 e instaladas en los Estados Unidos de América, Canadá y México.

DELTA FAUCET COMPANY NO SE HACE RESPONSABLE POR CUALQUIER DAÑO ESPECIAL, INCIDENTAL O CONSECUENTE (INCLUYENDO LOS GASTOS DE MANO DE OBRA) POR EL INCUMPLIMIENTO DE CUALQUIER GARANTÍA EXPRESA O IMPLÍCITA DE LA LLAVE DE AGUA. Algunos estados/provincias no permiten la exclusión o limitación de daños especiales, incidentales o consecuentes, por lo que estas limitaciones y exclusiones pueden no aplicarle a usted. Esta garantía le otorga derechos legales. Usted también puede tener otros derechos que varían de estado/provincia a estado/provincia.

Esta es la garantía exclusiva por escrito de Delta Faucet Company y la garantía no es transferible.

Si usted tiene alguna pregunta o inquietud acerca de nuestra garantía, por favor, vea nuestra sección de preguntas frecuentes FAQ sobre la garantía en [www.deltafaucet.com](http://www.deltafaucet.com), también puede enviarnos un correo electrónico a [customerservice@deltafaucet.com](mailto:customerservice@deltafaucet.com) o llámenos al número que le corresponda anteriormente incluido.

© 2014 Masco Corporación de Indiana

**Garantie limitée des robinets Delta®**

**Pièces et finis**

Toutes les pièces (à l'exception des composants électroniques et des piles) et tous les finis de ce robinet sont protégés contre les défauts du matériau et les vices de fabrication par une garantie qui est consentie au premier acheteur et qui demeure valide tant que celui-ci demeure propriétaire de la maison dans laquelle le robinet a été installé. Dans le cas d'une utilisation commerciale, la garantie est de 5 ans à compter de la date d'achat.

**Composants électroniques et piles (le cas échéant)**

Si ce robinet comporte des composants électroniques, ces composants (à l'exception des piles) sont protégés contre les défauts du matériau et les vices de fabrication par une garantie consentie au premier acheteur qui est d'une durée de 5 ans à compter de la date d'achat. Dans le cas d'une utilisation commerciale, la garantie est d'un an à compter de la date d'achat. Aucune garantie ne couvre les piles.

Delta Faucet Company remplacera, GRATUITEMENT, pendant la période de garantie applicable, toute pièce ou tout fini qui présentera une défectuosité du matériau et/ou un vice de fabrication pour autant que le robinet ait été installé, utilisé et entretenu normalement. S'il est impossible de réparer ou de remplacer le robinet, Delta Faucet Company pourra décider de rembourser le prix d'achat du produit pour autant que celui-ci lui soit retourné. **Il s'agit de vos seuls recours.**

Delta Faucet Company recommande de confier l'installation et la réparation à un plombier professionnel. Nous vous recommandons également d'utiliser uniquement des pièces de rechange authentiques Delta®.

Delta Faucet Company se dégage de toute responsabilité à l'égard des dommages causés au robinet en raison d'un mauvais usage, d'un usage abusif, de la négligence ou de l'utilisation d'une méthode d'installation, de maintenance ou de réparation incorrecte ou inadéquate, y compris les dommages résultant du non-respect des instructions de nettoyage et d'entretien applicables. Pour obtenir des pièces de rechange, veuillez appeler au numéro applicable ci-dessous ou écrire

à l'adresse applicable ci-dessous.

**Aux États-Unis et au Mexique :**

Delta Faucet Company  
Product Service  
55 E. 111th Street  
Indianapolis, IN 46280  
1-800-345-DELTA (3358)  
customerservice@deltafaucet.com

**Au Canada:**

Masco Canada Limited, Plumbing Group  
Technical Service Centre  
350 South Edgeware Road  
St. Thomas, Ontario, Canada N5P 4L1  
1-800-345-DELTA (3358)  
customerservice@mascocanada.com

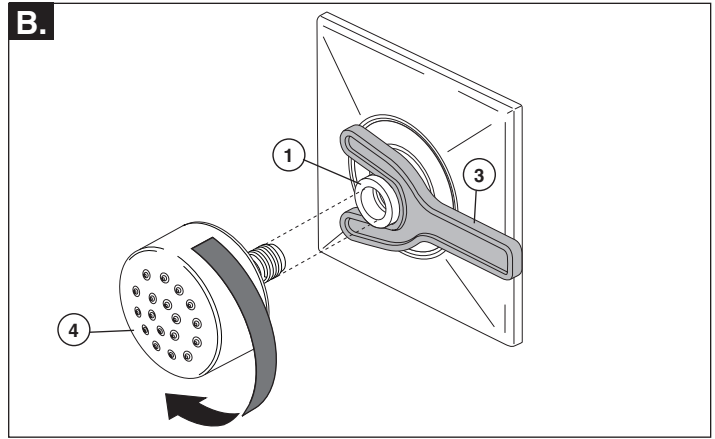
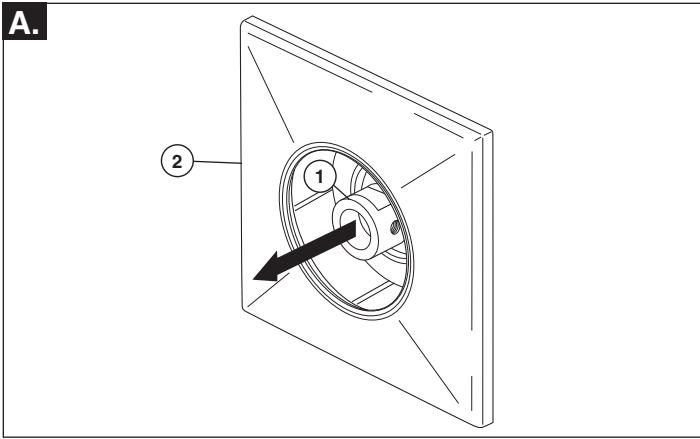
La preuve d'achat (reçu original) du premier acheteur doit être présentée à Delta Faucet Company pour toutes les demandes en vertu de la garantie, sauf si le produit a été enregistré auprès de Delta Faucet Company. La présente garantie s'applique uniquement aux robinets fabriqués après le 1er janvier 1995 et installés aux États-Unis d'Amérique, au Canada et au Mexique.

DELTA FAUCET COMPANY SE DÉGAGE DE TOUTE RESPONSABILITÉ À L'ÉGARD DES DOMMAGES PARTICULIERS, CONSÉCUTIFS OU INDIRECTS (Y COMPRIS LES FRAIS DE MAIN-D'OEUVRE) QUI POURRAIENT RÉSULTER DE LA VIOLATION D'UNE GARANTIE IMPLICITE OU EXPLICITE QUELCONQUE SUR LE ROBINET. Dans les États ou les provinces où il est interdit de limiter ou d'exclure la responsabilité à l'égard des dommages particuliers, consécutifs ou indirects, les limites et les exclusions susmentionnées ne s'appliquent pas. La présente garantie vous donne des droits précis qui peuvent varier selon l'État ou la province où vous résidez.

La présente garantie écrite est la garantie exclusive offerte par Delta Faucet Company et elle n'est pas transférable.

Si vous avez des questions ou des préoccupations en ce qui concerne notre garantie, veuillez consulter la page Warranty FAQs à [www.deltafaucet.com](http://www.deltafaucet.com), faire parvenir un courriel à [customerservice@deltafaucet.com](mailto:customerservice@deltafaucet.com) ou nous appeler au numéro applicable.

© 2014 Division de Masco Indiana



### Installing the Spray Head

**A.** Pull the sliding pop-out mechanism (1) out of the previously installed trim kit model (2) until fully extended. **Note: Depending on your trim kit and spray head model, actual escutcheon and spray face may differ visually from instructional views.**

**B.** Apply wrench (3) to flats on pop-out mechanism (1), as shown, to stop rotation during spray head installation. **Note: The wrench will only properly fit the flats in one direction.** Insert and thread spray head (4) into pop-out mechanism (1) until threading stops. **Note: Take care not to over tighten the spray head.** Store wrench (3) for future use.

### Instalación del cabezal de pulverización

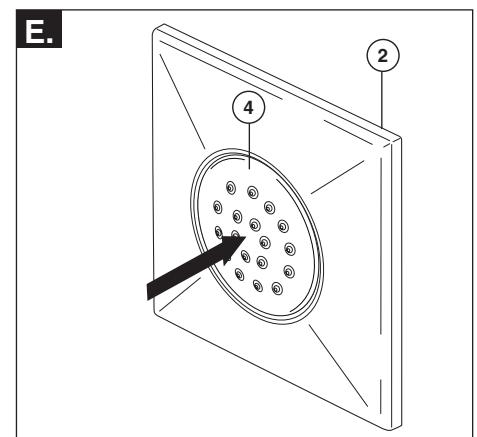
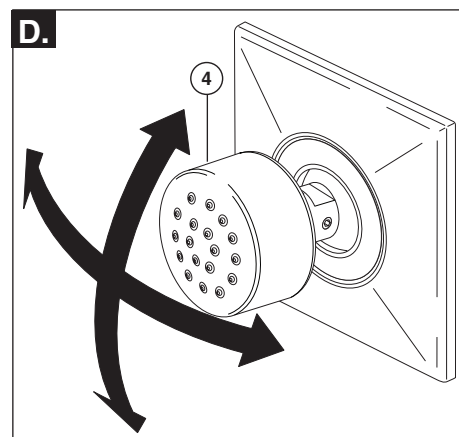
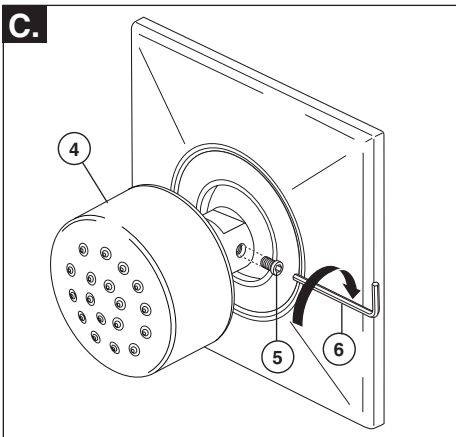
**A.** Extraiga el mecanismo del desagüe automático deslizante (1) del modelo de accesorios previamente instalado (2) hasta que esté completamente extendido. **Nota: Dependiendo de su juego o kit de accesorios y el modelo de la cabeza de la regadera, la chapa y la cara del aerosol pueden tener un aspecto diferente a los diagramas en las instrucciones.**

**B.** Use la llave de tuercas (3) en las partes planas del mecanismo de desagüe automático (1), como se muestra, para detener la rotación durante la instalación de la cabeza de la regadera. **Nota: La llave de tuercas encaja correctamente en las partes planas sólo en una dirección.** Inserte y enrosque la cabeza del rociador (4) en el mecanismo de desagüe automático (1) hasta que el enrosque no de más. **Nota: Tenga cuidado de no apretar demasiado la cabeza de la regadera.** Guarde la llave de tuercas (3) para su uso futuro.

### Installation de la tête de pulvérisation

**A.** Tirez sur le mécanisme coulissant rétractable (1) pour le faire sortir complètement de l'ensemble de finition (2) ayant été installé précédemment. **Note : Selon la trousse de finition qui a été installée et le modèle de la tête de pulvérisation, la plaque de finition et la plaque de pulvérisation peuvent avoir une apparence différente de celles montrées sur les figures incluses avec les instructions.**

**B.** Appliquez la clé (3) sur les méplats du mécanisme coulissant rétractable (1) comme le montre la figure pour l'empêcher de tourner pendant la pose de la tête de pulvérisation. **Note : La clé s'ajuste correctement sur les méplats dans un sens seulement.** Vissez la tête de pulvérisation (4) à fond dans le mécanisme coulissant rétractable (1). **Prenez garde de la serrer excessivement.** Conservez la clé (3) pour un usage ultérieur.



**C.** Secure spray head (4) with set screw (5) using hex wrench (6).

**D.** Swivel the spray head (4) to check full range of motion.

**E.** Press the spray head (4) back into pop-out mechanism until flush with trim kit escutcheon (2).

**C.** Fije la cabeza de la regadera (4) con el tornillo de fijación (5) usando una llave hexagonal (6).

**D.** Gire la cabeza de la regadera (4) para comprobar el alcance de movimiento.

**E.** Oprima la cabeza de la regadera (4) de nuevo en el mecanismo de desagüe hasta que quede nivelado con la chapa del juego de accesorio (2).

**C.** Fixez la tête de pulvérisation (4) à l'aide de la vis de calage (5) et de la clé hexagonale (6).

**D.** Faites pivoter la tête de pulvérisation (4) pour vous assurer qu'elle bouge librement sur toute sa plage.

**E.** Poussez sur la tête de pulvérisation (4) pour faire rentrer le mécanisme coulissant rétractable dans le logement jusqu'à ce qu'elle soit au ras de la plaque de finition (2).

### CLEANING AND CARE

Care should be given to the cleaning of this product. Although its finish is extremely durable, it can be damaged by harsh abrasives or polish. To clean, simply wipe gently with a damp cloth and blot dry with a soft towel.

### LIMPIEZA Y CUIDADO DE SU LLAVE

Tenga cuidado al ir a limpiar este producto. Aunque su acabado es sumamente durable, puede ser afectado por agentes de limpieza o para pulir abrasivos. Para limpiar su llave, simplemente frótelas con un trapo húmedo y luego séquela con una toalla suave.

### INSTRUCTIONS DE NETTOYAGE

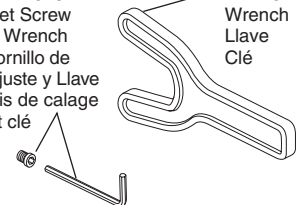
Il faut le nettoyer avec soin. Même si son fini est extrêmement durable, il peut être abîmé par des produits fortement abrasifs ou des produits dépolissage. Il faut simplement le frotter doucement avec un chiffon humide et le sécher à l'aide d'un chiffon doux.

### RP77543

Set Screw & Wrench  
Tornillo de Ajuste y Llave  
Vis de calage et clé

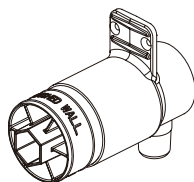
### RP77544

Wrench  
Llave  
Clé

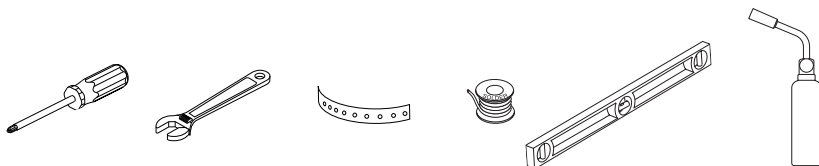


**75391**

ASME A112.18.1 / CSA B125.1

Models/Modelos/Modèles  
R50200**HYDRACHOICE™ ROUGH-IN BODY**  
**CUERPO HYDRACHOICE™ PARA LA**  
**INSTALACIÓN DENTRO DE LA PARED****CORPS DE ROBINET HYDRACHOICE™<sup>MC</sup>**

Write purchased model number here.  
Escriba aquí el número del modelo comprado.  
Inscrivez le numéro de modèle ici.

**You may need/Usted puede necesitar/Articles dont vous pouvez avoir besoin:****For easy installation of your Delta® faucet you will need:**

- To **READ ALL** the instructions completely before beginning.
- To **READ ALL** warnings, care, and maintenance information.

**THIS ROUGH-IN BODY MEETS OR EXCEEDS THE FOLLOWING STANDARDS:**  
ASME A112.18.1 / CSA B125.1.**NOTICE TO INSTALLER: CAUTION!**—As the installer of this rough-in body, it is your responsibility to properly **INSTALL** this rough-in body per the instructions given. **YOU MUST inform the owner/user of this requirement by following the instructions.** If you or the owner/user are unsure how to properly install this rough-in body, please refer to the instructions supplied and if still uncertain, call us at 1-877-345-DELTA. Leave this Instruction Sheet for the owner's/user's reference.**Para instalación fácil de su llave Delta® usted necesitará:**

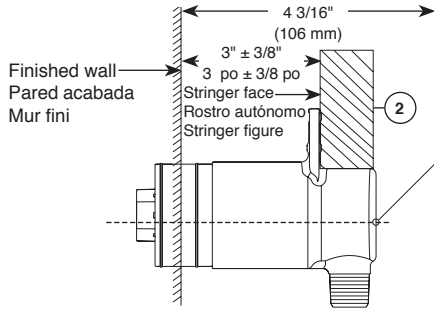
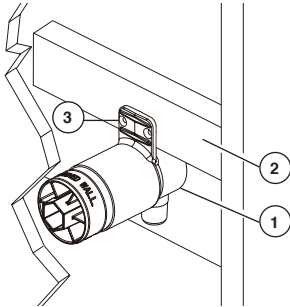
- **LEER TODAS** las instrucciones completamente antes de empezar
- **LEER TODOS** los avisos, cuidados, e información de mantenimiento.

**ESTA VALVULA CUMPLE O EXCEDE LAS SIGUIENTES NORMAS:**  
ASME A112.18.1 / CSA B125.1.**AVISO AL INSTALADOR: ¡PRECAUCIÓN!**— Como instalador de la tubería interna - dentro de la pared/piso, es su responsabilidad **INSTALAR** esta pieza correctamente como se describe en las instrucciones que le damos. **USTED DEBE informarle al propietario/usuario, siguiendo las instrucciones dadas, de este requisito.** Si usted o el propietario/usuario no están seguros como se instalan correctamente las tuberías internas, por favor refiérase a las instrucciones proporcionadas y si todavía no está seguro, llámenos al 1-877-345-DELTA. Deje esta hoja de instrucciones como referencia para el propietario/usuario.**Pour installer votre robinet Delta® facilement, vous devez:**

- **LIRE TOUTES** les instructions avant de débiter;
- **LIRE TOUS** les avertissements ainsi que toutes les instructions de nettoyage et d'entretien;

**CE ROBINET SATISFAIT AUX EXIGENCES DES NORMES ASME A112.18.1 / CSA B125.1 OU LES SURPASSE.****AVIS À L'INSTALLATEUR : ATTENTION!** – En qualité d'installateur, vous est tenu de bien **INSTALLER** ce corps de robinet conformément aux instructions. **VOUS DEVEZ informer le propriétaire ou l'utilisateur de cette exigence.** En cas de doute quant à la marche à suivre pour installer ce corps de robinet, veuillez lire les instructions fournies et, au besoin, veuillez nous appeler au 1-877-345-DELTA. Veuillez laisser ce feuillet d'instructions au propriétaire ou à l'utilisateur pour qu'il puisse le consulter s'il y a lieu.**75391**

1



### SHUT OFF WATER SUPPLIES.

Consider the type and thickness of your finished wall before placing the stringer back plate. Install the valve body (1) so the surface of the finished wall is  $3'' \pm 3/8''$  from the front face of the stringer (2), using the stringer mounting holes (3) on the valve body.

**Note for walls with a finished thickness of  $1/2''$ :** For typical 2X4 stud wall construction the stringer face must be a minimum of  $2 1/8''$  from the stud face. the maximum depth of stringer face will be limited by the clearance between the back of the rough body and the wall depth.

**Note for walls with a finished thickness of  $3''$ :** For typical 2X4 stud wall construction the stringer face must be a maximum of  $3/8''$  from the stud face. the minimum depth of stringer face will be limited by the clearance between the front of the rough mounting tab and the stud wall face.

**Note:** This product is not intended for use in applications where the finished wall is less than  $1/2''$ .

**Note:** It is critical to ensure the rough body face is plumb and parallel with the finished wall for all thicknesses. Failure to do so may result in gaps between the finished wall and escutcheon.

### CIERRE LOS SUMINISTROS DE AGUA.

Considere el tipo y el grosor de su pared acabada antes de colocar la placa trasera de su larguero. Instale el cuerpo (1) de manera que la superficie de la pared acabada sea de  $3'' \pm 3/8''$  de la cara frontal del larguero (2), usando los agujeros de instalación del larguero (3) en el cuerpo.

**Nota para las paredes con un espesor de acabado de  $1/2''$ :** Para la típica construcción de la pared con soportes 2X4 la cara del larguero debe ser de un mínimo de  $2 1/8''$  de la cara del soporte. La profundidad máxima de la cara del larguero se limitará por el espacio libre entre la parte trasera del cuerpo rugoso y la profundidad de la pared.

**Nota para las paredes con un espesor de acabado de  $3''$ :** Para la típica construcción de la pared con soportes 2X4 la cara del larguero debe ser de un máximo de  $3/8''$  de la cara del soporte. La profundidad mínima de la cara del larguero se limitará por el espacio libre entre la parte delantera de la pestaña de montaje rugosa y la cara de la pared con soportes.

**Nota:** Este producto no está diseñado para su uso en aplicaciones en las que la pared acabada es menos de  $1/2''$ .

**Nota:** Es esencial asegurar que la cara del cuerpo rugoso sea vertical y paralela a la pared acabada para todos los espesores. Si no hace esto, podría resultar en brechas entre la pared acabada y el escudo.

### INTERROMPEZ L'ALIMENTATION EN EAU.

Déterminez le type et l'épaisseur du mur fini avant de placer la plaque de renfort. Installez le corps de robinet (1) de sorte que la surface du mur fini se trouve à  $3 \text{ po} \pm 3/8 \text{ po}$  de la face avant de la plaque de renfort (2), en utilisant les trous de montage de la plaque de renfort (3) dans le corps.

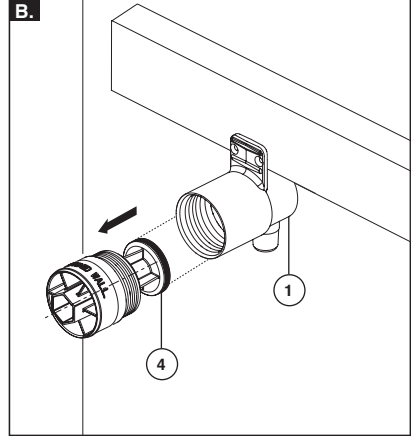
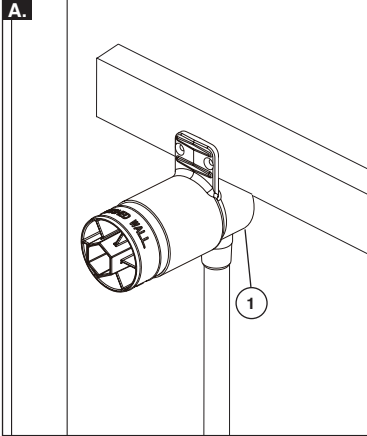
**Remarque pour les murs d'une épaisseur finie de  $1/2''$ :** Pour les montants de constructions de mur typiques 2X4, la face de la poutre doit être d'au minimum de  $2 1/8''$  de la face du montant. La profondeur maximale de la face de la poutre sera limitée par l'écart entre du dos du corps brut et la profondeur du mur.

**Remarque pour les murs d'une épaisseur finie de  $3''$ :** Pour les montants de constructions de mur typiques 2X4, la face de la poutre doit être d'au minimum de  $3/8''$  de la face du montant. La profondeur maximale de la face de la poutre sera limitée par l'écart entre la patte de fixation brute et la face de la poutre du mur.

**Note:** Ce produit n'est pas destiné à être utilisé dans des applications où le mur fini est inférieur à  $1/2''$ .

**Note:** Il est critique d'assurer que la face du corps brut soit verticale et parallèle avec le mur fini pour toutes les épaisseurs. Ne pas faire ainsi peut conduire à des écarts entre le mur fini et l'écusson.



**2**

**A.** Connect valve body (1) 1/2"-14 NPT inlet to water supplies using the proper fittings. **WARNING: No back to back installation is allowed with this product.**

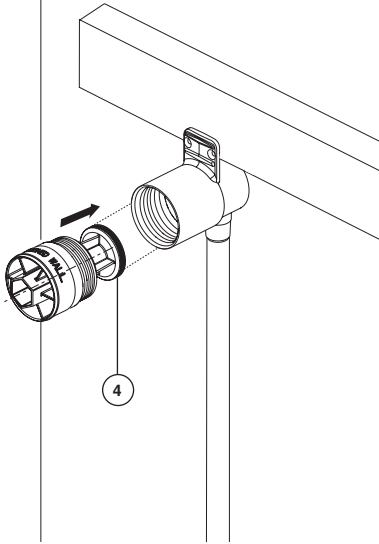
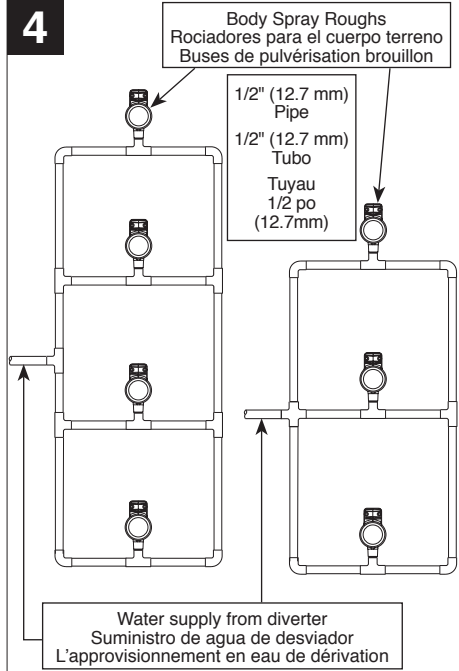
**B.** If soldering is required for any connection, remove test cap / plasterguard (4) before soldering. **WARNING: avoid high temperatures. Be sure to reinstall the test cap / plasterguard (4) after soldering.**

**A.** Conecte el cuerpo de la válvula (1) entrada del 1/2" - 14 NPT a los suministros de agua usando los accesorios apropiados. **ADVERTENCIA: No se permiten instalaciones dorso con dorso con este producto.**

**B.** Si se requiere la soldadura para cualquier conexión, retire la tapa de prueba / cubierta de plástico (4) antes de soldar. **ADVERTENCIA: evite temperaturas elevadas. Asegúrese de que vuelva a instalar la tapa de prueba / cubierta de plástico (4) después de soldar.**

**A.** Raccordez le corps de robinet (1) les entrées de 1/2 po - 14 NPT à la tuyauterie d'alimentation en eau au moyen des raccords appropriés. **AVERTISSEMENT: Ce produit n'est pas conçu pour une installation dos à dos.**

**B.** Si la soudure est nécessaire pour les connexions, retirez le bouchon de test / le protecteur (4) avant de souder. **AVERTISSEMENT: Evitez les hautes températures. Assurez-vous de réinstaller le bouchon de test / le protecteur (4) après soudure.**

**3****4**

### PRESSURE TESTING & FLUSHING THE INSTALLATION

Prior to testing, reinstall test cap (4). Tighten securely. Check for leaks. After testing remove the test cap / plasterguard and flush system. Reinstall test cap / plasterguard (4).

Recommended balance loops for body spray systems.

### PRUEBA DE PRESIÓN Y LIMPIEZA DE LA INSTALACIÓN

Antes de probar, reinstale la tapa (4). Apriete fijos. Fíjese si hay filtraciones. Después de probar quite el tapón de la regadera y deje correr el agua por el sistema. Reinstale el protector de yeso (4).

Se recomiendan balancines para los sistemas de rociador de cuerpo.

### ESSAI SOUS PRESSION ET RINÇAGE DE L'INSTALLATION

Avant d'effectuer l'essai, reposez le capuchon (4). Serrez les éléments solidement. Puis vérifiez l'étanchéité. Après l'essai, enlevez le bouchon de la sortie de la douche et rincez l'installation. Remettez le protecteur (4) en place.

Configuration recommandée pour la tuyauterie des jets de douche.



## Limited Warranty on Delta® Faucets

### Parts and Finish

All parts (other than electronic parts and batteries) and finishes of this Delta® faucet are warranted to the original consumer purchaser to be free from defects in material and workmanship for as long as the original consumer purchaser owns the home in which the faucet was first installed, or, for commercial users, for 5 years from the date of purchase.

### Electronic Parts and Batteries (if applicable)

Electronic parts (other than batteries), if any, of this Delta® faucet are warranted to the original consumer purchaser to be free from defects in material and workmanship for 5 years from the date of purchase or, for commercial users, for one year from the date of purchase. No warranty is provided on batteries.

Delta Faucet Company will replace, FREE OF CHARGE, during the applicable warranty period, any part or finish that proves defective in material and/or workmanship under normal installation, use and service. If repair or replacement is not practical, Delta Faucet Company may elect to refund the purchase price in exchange for the return of the product. **These are your exclusive remedies.**

Delta Faucet Company recommends using a professional plumber for all installation and repair. We also recommend that you use only genuine Delta® replacement parts.

Delta Faucet Company shall not be liable for any damage to the faucet resulting from misuse, abuse, neglect or improper or incorrectly performed installation, maintenance or repair, including failure to follow the applicable care and cleaning instructions.

Replacement parts may be obtained by calling the applicable number below or by writing to:

### In the United States and Mexico:

Delta Faucet Company  
Product Service  
55 E. 111th Street  
Indianapolis, IN 46280  
1-877-345-DELTA (3358)  
customerservice@deltafaucet.com

### In Canada:

Masco Canada Limited, Plumbing Group  
Technical Service Centre  
350 South Edgeware Road  
St. Thomas, Ontario, Canada N5P 4L1  
1-877-345-DELTA (3358)  
customerservice@mascocanada.com

Proof of purchase (original sales receipt) from the original purchaser must be made available to Delta Faucet Company for all warranty claims unless the purchaser has registered the product with Delta Faucet Company. This warranty applies only to Delta® faucets manufactured after January 1, 1995 and installed in the United States of America, Canada and Mexico.

DELTA FAUCET COMPANY SHALL NOT BE LIABLE FOR ANY SPECIAL, INCIDENTAL OR CONSEQUENTIAL DAMAGES (INCLUDING LABOR CHARGES) FOR BREACH OF ANY EXPRESS OR IMPLIED WARRANTY ON THE FAUCET. Some states/provinces do not allow the exclusion or limitation of special, incidental or consequential damages, so these limitations and exclusions may not apply to you. This warranty gives you special legal rights. You may also have other rights which vary from state/province to state/province.

This is Delta Faucet Company's exclusive written warranty and the warranty is not transferable.

If you have any questions or concerns regarding our warranty, please view our Warranty FAQs at [www.deltafaucet.com](http://www.deltafaucet.com), email us at [customerservice@deltafaucet.com](mailto:customerservice@deltafaucet.com) or call us at the applicable number above.

© 2014 Masco Corporation of Indiana

## Garantía Limitada de las Llaves de Agua (grifos) Delta®

### Piezas y acabado

Todas las piezas (excepto las piezas electrónicas y las pilas) y los acabados de esta llave de agua Delta® están garantizados al consumidor comprador original de estar libres de defectos en material y fabricación durante el tiempo que el comprador original posea la vivienda en la que la llave de agua fue originalmente instalada o, para los consumidores comerciales, durante 5 años a partir de la fecha de compra.

### Componentes electrónicos y pilas (si aplicable)

Todas las piezas (salvo las pilas), si hay, de esta llave de agua Delta® están garantizadas al consumidor comprador original de estar libres de defectos en materiales y fabricación durante 5 años a partir de la fecha de compra o, para los usuarios comerciales, por un año a partir de la fecha de compra. No se garantizan las pilas.

Delta Faucet Company reemplazará, SIN CARGO, durante el período de garantía aplicable, cualquier pieza o acabado que pruebe tener defectos de material y/o fabricación bajo la instalación, uso y servicio normal. Si la reparación o su reemplazo no es práctico, Delta Faucet Company tiene la opción de reembolsarle su dinero por la cantidad del precio de compra a cambio de la devolución del producto. **Estos son sus únicos recursos.**

Delta Faucet Company recomienda que use los servicios de un plomero profesional para todas las instalaciones y reparaciones. También le recomendamos que utilice solo las piezas de repuesto originales de Delta®.

Delta Faucet Company no será responsable por cualquier daño a la llave de agua que resulte del mal uso, abuso, negligencia o mala instalación o mantenimiento o reparación incorrecta, incluyendo el no seguir los cuidados aplicables y las instrucciones de limpieza.

Las piezas de repuesto se pueden obtener llamando al número correspondiente más abajo, o escribiendo a:

### En los Estados Unidos y México:

Delta Faucet Company  
Product Service  
55 E. 111th Street  
Indianapolis, IN 46280  
1-877-345-DELTA (3358)  
customerservice@deltafaucet.com

### En Canada:

Masco Canada Limited, Plumbing Group  
Technical Service Centre  
350 South Edgeware Road  
St. Thomas, Ontario, Canada N5P 4L1  
1-877-345-DELTA (3358)  
customerservice@mascocanada.com

La prueba de compra (recibo original) del comprador original debe ser disponible a Delta Faucet Company para todos los reclamos a menos que el comprador haya registrado el producto con Delta Faucet Company. Esta garantía le aplica solo a las llaves de agua de Delta® fabricadas después del 1 de enero 1995 e instaladas en los Estados Unidos de América, Canadá y México.

DELTA FAUCET COMPANY NO SE HACE RESPONSABLE POR CUALQUIER DAÑO ESPECIAL, INCIDENTAL O CONSECUTIVO (INCLUYENDO LOS GASTOS DE MANO DE OBRA) POR EL INCUMPLIMIENTO DE CUALQUIER GARANTÍA EXPRESA O IMPLÍCITA DE LA LLAVE DE AGUA. Algunos estados/provincias no permiten la exclusión o limitación de daños especiales, incidentales o consecutivos, por lo que estas limitaciones y exclusiones pueden no aplicarse a usted. Esta garantía le otorga derechos legales. Usted también puede tener otros derechos que varían de estado/provincia a estado/provincia.

Esta es la garantía exclusiva por escrito de Delta Faucet Company y la garantía no es transferible.

Si usted tiene alguna pregunta o inquietud acerca de nuestra garantía, por favor, vea nuestra sección de preguntas frecuentes FAQ sobre la garantía en [www.deltafaucet.com](http://www.deltafaucet.com), también puede enviarnos un correo electrónico a [customerservice@deltafaucet.com](mailto:customerservice@deltafaucet.com) o llámanos al número que le correspondía anteriormente incluido.

© 2014 Masco Corporation de Indiana

## Garantie limitée des robinets Delta®

### Pièces et finis

Toutes les pièces (à l'exception des composants électroniques et des piles) et tous les finis de ce robinet Delta® sont protégés contre les défectosités du matériau et les vices de fabrication par une garantie qui est consentie au premier acheteur et qui demeure valide tant que celui-ci demeure propriétaire de la maison dans laquelle le robinet a été installé. Dans le cas d'une utilisation commerciale, la garantie est de 5 ans à compter de la date d'achat.

### Composants électroniques et piles (le cas échéant)

Si ce robinet Delta® comporte des composants électroniques, ces composants (à l'exception des piles) sont protégés contre les défectosités du matériau et les vices de fabrication par une garantie consentie au premier acheteur qui est d'une durée de 5 ans à compter de la date d'achat. Dans le cas d'une utilisation commerciale, la garantie est d'un an à compter de la date d'achat. Aucune garantie ne couvre les piles.

Delta Faucet Company remplacera, GRATUITEMENT, pendant la période de garantie applicable, toute pièce ou tout fini qui présentera une défectuosité du matériau et/ou un vice de fabrication pour autant que le robinet ait été installé, utilisé et entretenu normalement. S'il est impossible de réparer ou de remplacer le robinet, Delta Faucet Company pourra décider de rembourser le prix d'achat du produit pour autant que celui-ci lui soit retourné. **Il s'agit de vos seuls recours.**

Delta Faucet Company recommande de confier l'installation et la réparation à un plombier professionnel. Nous vous recommandons également d'utiliser uniquement des pièces de rechange authentiques Delta®.

Delta Faucet Company se dégage de toute responsabilité à l'égard des dommages causés au robinet en raison d'un mauvais usage, d'un usage abusif, de la négligence ou de l'utilisation d'une méthode d'installation, de maintenance ou de réparation incorrecte ou inadéquate, y compris les dommages résultant du non-respect des instructions de nettoyage et d'entretien applicables.

Pour obtenir des pièces de rechange, veuillez appeler au numéro applicable ci-dessous ou écrire à l'adresse applicable ci-dessous.

### Aux États-Unis et au Mexique :

Delta Faucet Company  
Product Service  
55 E. 111th Street  
Indianapolis, IN 46280  
1-877-345-DELTA (3358)  
customerservice@deltafaucet.com

### En Canada:

Masco Canada Limited, Plumbing Group  
Technical Service Centre  
350 South Edgeware Road  
St. Thomas, Ontario, Canada N5P 4L1  
1-877-345-DELTA (3358)  
customerservice@mascocanada.com

La preuve d'achat (recu original) du premier acheteur doit être présentée à Delta Faucet Company pour toutes les demandes en vertu de la garantie, sauf si le produit a été enregistré auprès des ventes de la garantie. La présente garantie s'applique uniquement aux robinets Delta® fabriqués après le 1er janvier 1995 et installés aux États-Unis d'Amérique, au Canada et au Mexique.

DELTA FAUCET COMPANY SE DÉGAGE DE TOUTE RESPONSABILITÉ À L'ÉGARD DES DOMMAGES PARTICULIERS, CONSÉQUENTS OU INDIRECTS (Y COMPRIS LES FRAIS DE MAIN-D'ŒUVRE) QUI POURRAIENT RÉSULTER DE LA VIOLATION D'UNE GARANTIE IMPLICITE OU EXPLICITE QUELCONQUE SUR LE ROBINET. Dans les États ou les provinces où il est interdit de limiter ou d'exclure la responsabilité à l'égard des dommages particuliers, consécutifs ou indirects, les limites et les exclusions susmentionnées ne s'appliquent pas. La présente garantie vous donne des droits précis qui peuvent varier selon l'État ou la province où vous résidez.

La présente garantie écrite est la garantie exclusive offerte par Delta Faucet Company et elle n'est pas transférable.

Si vous avez des questions ou des préoccupations en ce qui concerne notre garantie, veuillez consulter la page Warranty FAQs à [www.deltafaucet.com](http://www.deltafaucet.com), faire parvenir un courriel à [customerservice@deltafaucet.com](mailto:customerservice@deltafaucet.com) ou nous appeler au numéro applicable.

© 2014 Division de Masco Indiana