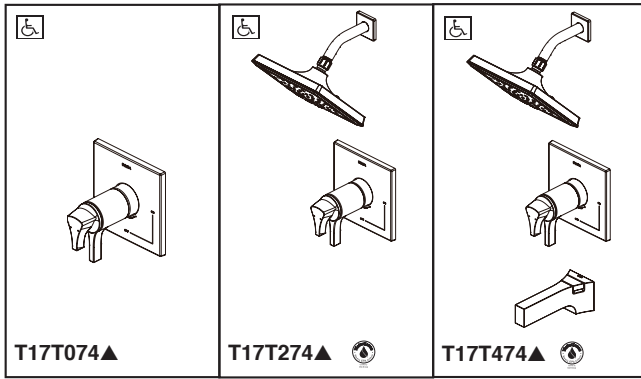




see what Delta can do<sup>SM</sup>

# TUB AND SHOWER FAUCET TRIM

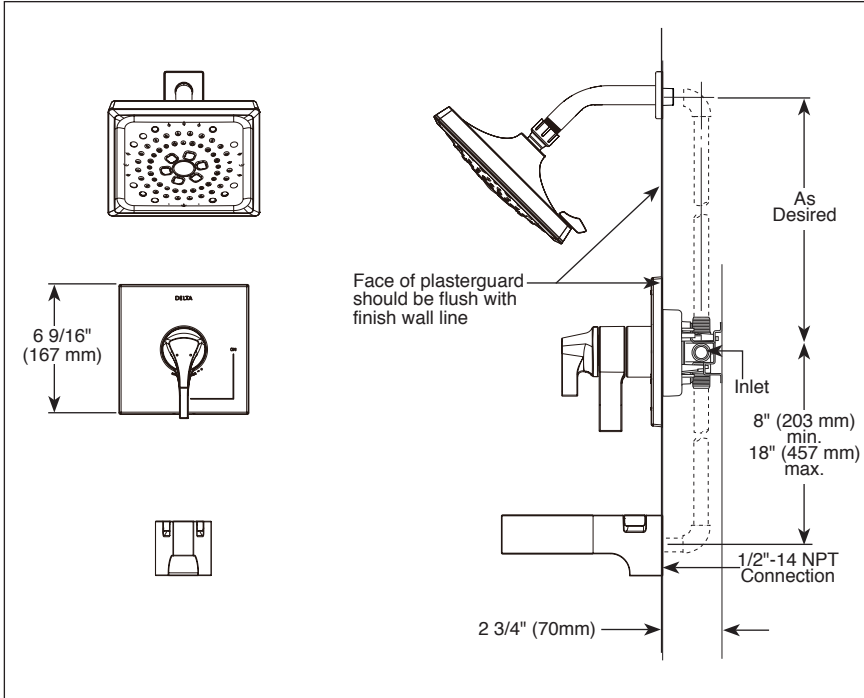


Submitted Model No.: \_\_\_\_\_  
 Specific Features: \_\_\_\_\_

- Zura™ Bath Collection
- TempAssure® Thermostatic
- Valve Only (T17T074)
- Shower Only (T17T274)
- Tub/Shower (T17T474)

## STANDARD SPECIFICATIONS:

- TempAssure® 17T thermostatic valve cartridge.
- Thermostatic wax element maintains the outlet temperature to  $\pm 3.6^{\circ}\text{F}$ .
- Three-setting H<sub>2</sub>Okinetic® showerhead.
- Maximum 1.75 gpm @ 80 psi, 6.6 L/min @ 550 kPa.
- Must also order MultiChoice® Universal rough separately (R10000 series).
- Back-to-back installation capability.
- Lever volume control handle; temperature adjustment dial.
- Graphics indicate hot/cold temperature adjustment.
- Field adjustable to limit rotation into hot zone.
- All parts are replaceable from the front of the valve.
- Adjusts for up to 1" wall thickness.
- Red/blue pad print temperature indicator on the temperature adjustment dial.
- Stem extension kit RP75136 can be ordered to allow for an additional 1 3/4" wall thickness. RP75136 ships with chrome escutcheon screws.



## WARRANTY

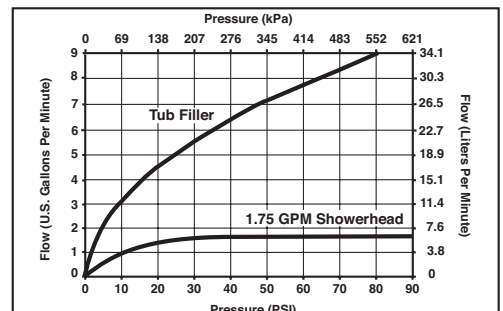
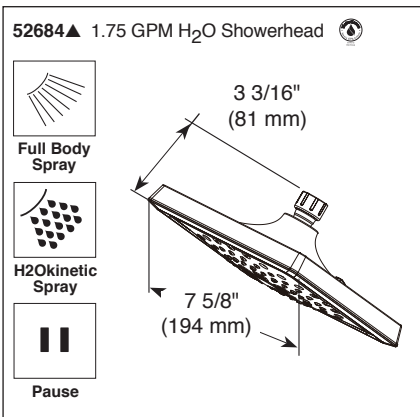
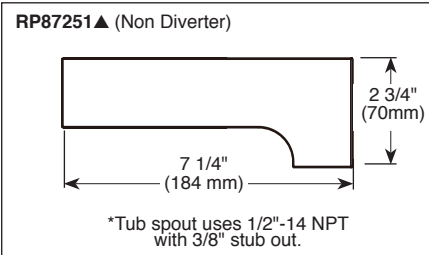
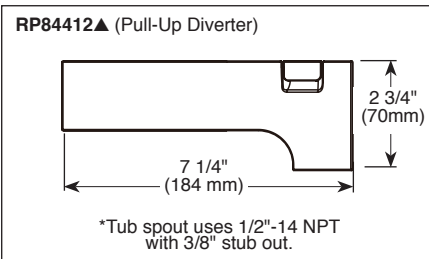
- Lifetime limited warranty on parts (other than electronic parts and batteries) and finishes: or, for commercial users, for 5 years from date of purchase.
- 5 year limited warranty on electronic parts (other than batteries); or, for commercial users, for 1 year from the date of purchase. No warranty is provided on batteries.



## COMPLIES WITH:

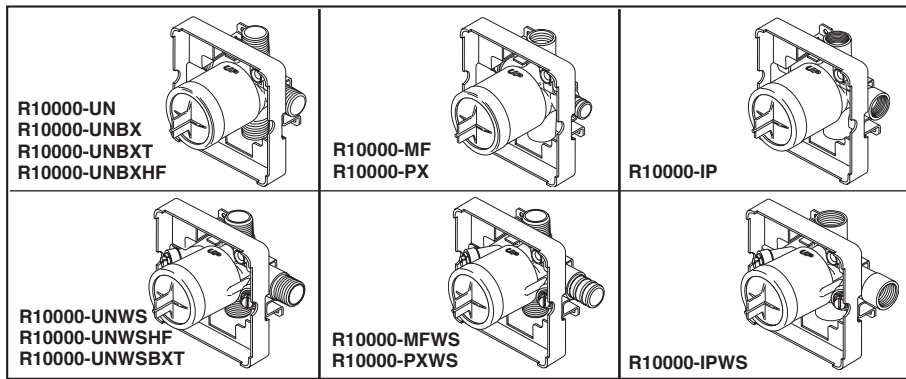
- ASME A112.18.1 / CSA B125.1
- Indicates compliance to ICC/ANSI A117.1 - Valve control only.
- EPA WaterSense®

### ▲ Designate Proper Finish Suffix



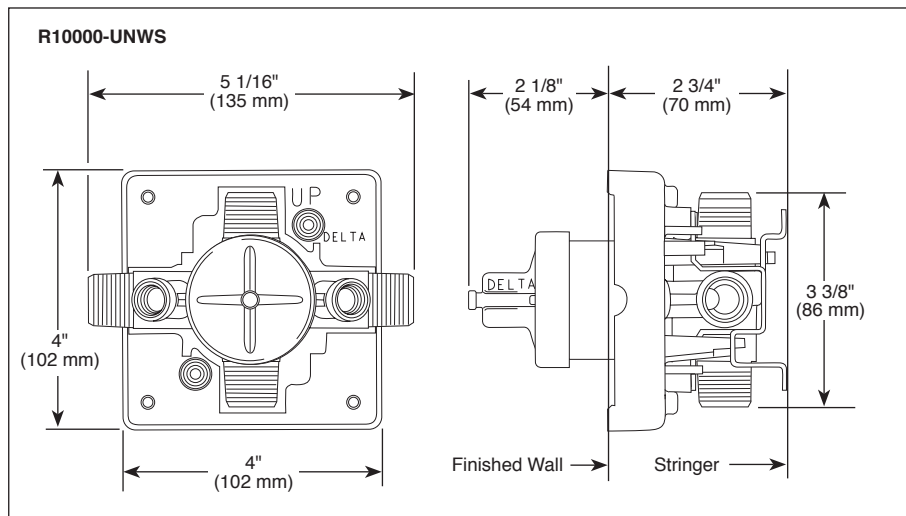
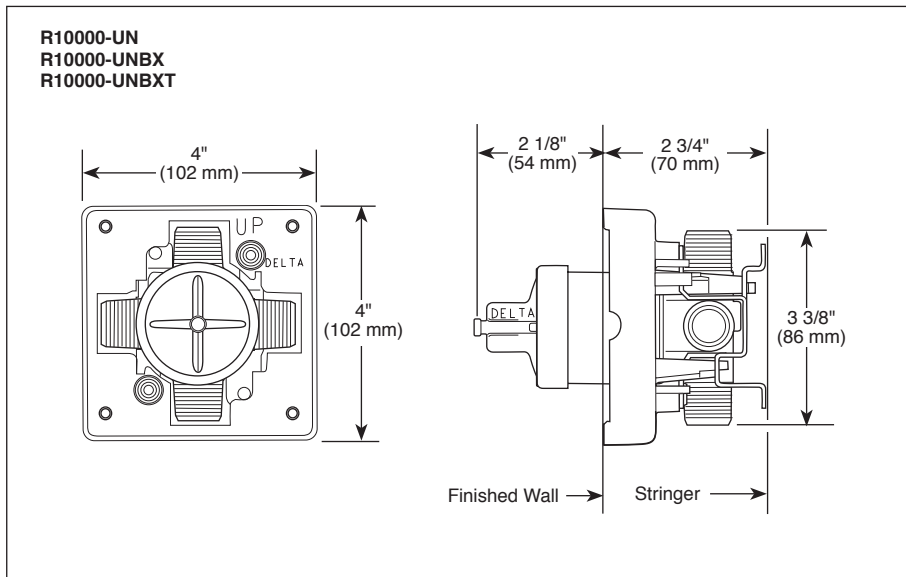
**Delta Faucet Company**  
 55 E. 111th Street, Indianapolis, IN 46280  
 350 South Edgeware Road, St. Thomas, ON N5P 4L1  
 © 2017 Delta Faucet Company

Delta reserves the right (1) to make changes in specifications and materials, and (2) to change or discontinue models, both without notice or obligation. Dimensions are for reference only. See current full-line price book or www.deltafaucet.com for finish options and product availability.  
 DSP-B-T17T074 Rev. D



Submitted Model No.: \_\_\_\_\_

Specific Features: \_\_\_\_\_




# MULTICHOICE<sup>®</sup> UNIVERSAL ROUGH VALVE BODY

- R10000-UN (Universal Inlets/Outlets)
- R10000-UNBX (Universal Single Box Model)
- R10000-UNBXHF (High Flow Shower Only)
- R10000-UNBXT (Thin Wall)
- R10000-UNWS (Universal with Stops)
- R10000-UNWSHF (High Flow with Stops)
- R10000-UNWSBXT (Thin Wall with Stops)
- R10000-PX (Pex Crimp Connections with UN Outlets)
- R10000-PXWS (Pex Crimp Connections with Stop with UN Outlets)
- R10000-IP (IPS Inlets/Outlets)
- R10000-IPWS (IPS with Stops)
- R10000-MF (Pex Cold Expansion Connections with UN Outlets)
- R10000-MFWS (Pex Cold Expansion with Stops with UN Outlets)

### STANDARD SPECIFICATIONS:

- Forged brass body.
- Back-to-Back installation capabilities.
- Can be tested with air (200 PSI) or water (300 PSI) without valve using supplied test cap.
- Square plasterguard allows for right angle cuts.
- Thin wall mounting.
- For use with MultiChoice<sup>®</sup> Universal single or dual function trim. Cartridge ships with trim.
- 1/2" outlets and connections.

Note: No tub outlet in HF model.

Note: Should use proper fitting with each type (copper tubing, iron pipe, and pex fitting).

Note: Should use proper tooling with crimping pex fitting and cold expansion pex models.

Note: IP indicates female 1/2" threaded connections.

Note: UN indicates Universal type fitting and is 1/2" NPT male thread with 1/2" C.W.T. female sweat.

### WARRANTY

- Lifetime limited warranty on parts (other than electronic parts and batteries) and finishes: or, for commercial users, for 5 years from date of purchase.
- 5 year limited warranty on electronic parts (other than batteries); or, for commercial users, for 1 year from the date of purchase. No warranty is provided on batteries.

### COMPLIES WITH:

- ASME A112.18.1 / CSA B125.1



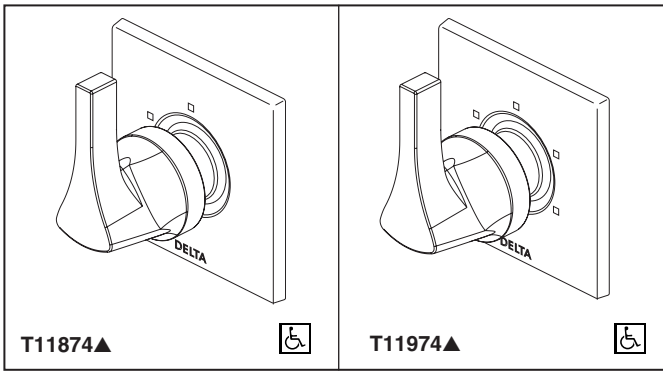
55 E. 111th Street, Indianapolis, Indiana 46280  
350 South Edgeware Road, St. Thomas, ON N5P 4L1  
© 2015 Masco Corporation of Indiana

Delta reserves the right (1) to make changes in specifications and materials, and (2) to change or discontinue models, both without notice or obligation. Dimensions are for reference only. See current full-line price book or [www.deltafaucet.com](http://www.deltafaucet.com) for finish options and product availability.



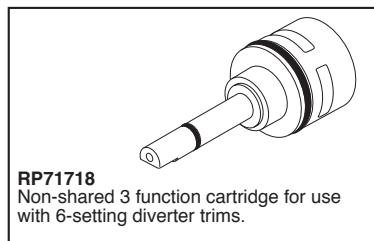
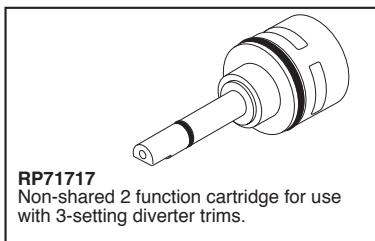
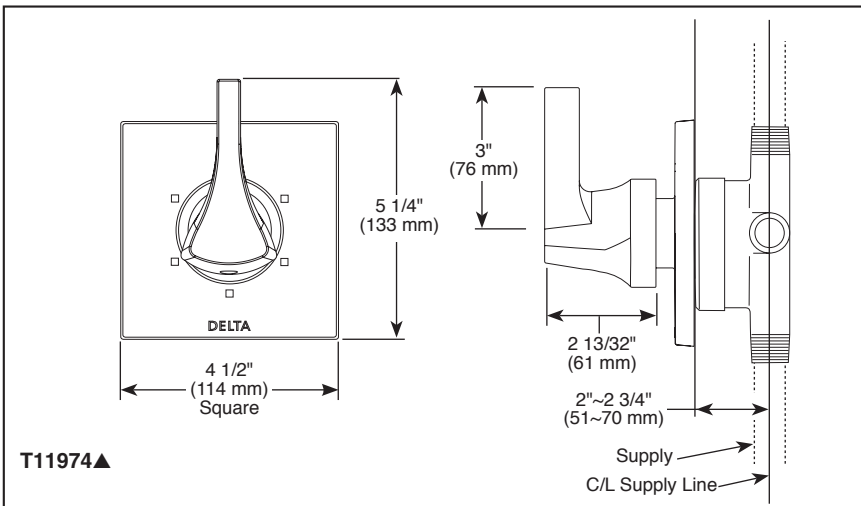
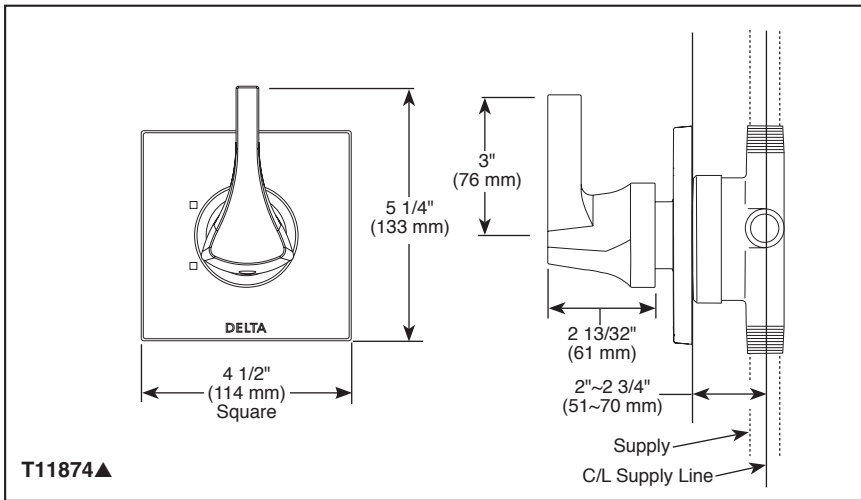
# CUSTOM SHOWER DIVERTER

- Zura™ Bath Collection
- Three Function Diverter Trim (T11874)
- Six Function Diverter Trim (T11974)



Submitted Model No.: \_\_\_\_\_

Specific Features: \_\_\_\_\_



## STANDARD SPECIFICATIONS

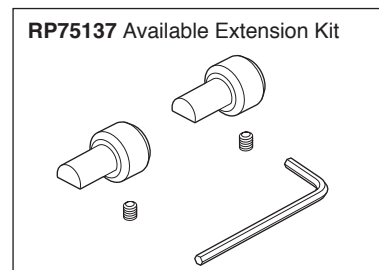
- Three function diverter. 2 individual positions, 1 shared position.
- Six function diverter. 3 individual positions, 3 shared positions.
- 1/2" rough-in.
- Must also order R1 1000 rough-in.
- Two individual positions, no shared positions, order cartridge RP71717.
- Three individual positions, no shared positions, order cartridge RP71718.
- Installation extension kit order RP75137, adds 1" to maximum installation thickness.

## WARRANTY

- Lifetime limited warranty on parts (other than electronic parts and batteries) and finishes: or, for commercial users, for 5 years from date of purchase.
- 5 year limited warranty on electronic parts (other than batteries); or, for commercial users, for 1 year from the date of purchase. No warranty is provided on batteries.

## COMPLIES WITH:

- ASME A112.18.1 / CSA B125.1
- ♿ Indicates compliance to ICC/ANSI A117.1



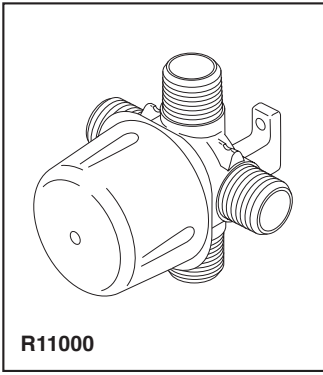
▲ Designate proper finish suffix

Delta reserves the right (1) to make changes in specifications and materials, and (2) to change or discontinue models, both without notice or obligation. Dimensions are for reference only. See current full-line price book or [www.deltafaucet.com](http://www.deltafaucet.com) for finish options and product availability.

DSP-B-T11874 Rev. A



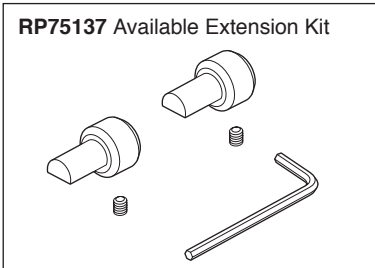
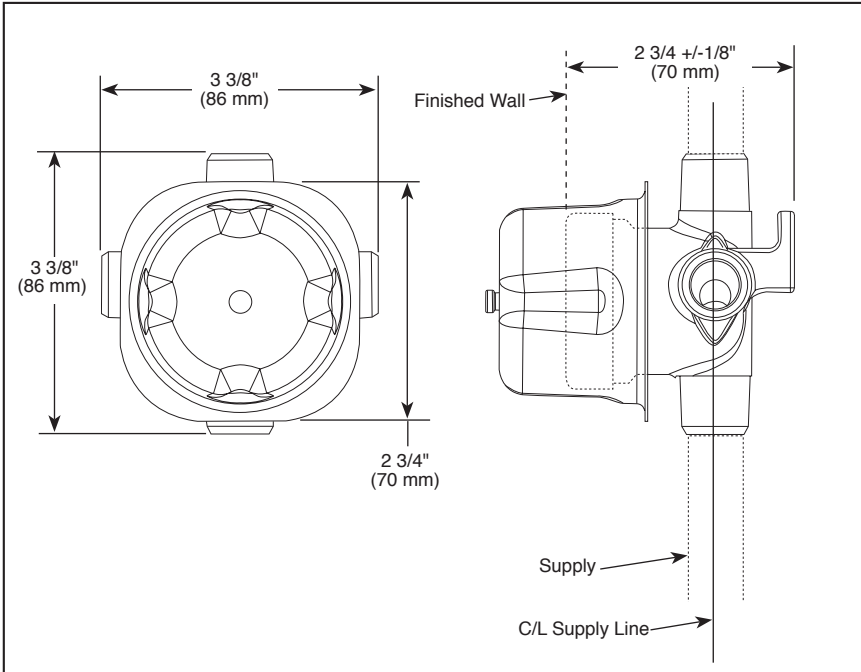
55 E. 111th Street, Indianapolis, Indiana 46280  
350 South Edgeware Road, St. Thomas, ON N5P 4L1  
© 2016 Masco Corporation of Indiana



R11000

Submitted Model No.: \_\_\_\_\_

Specific Features: \_\_\_\_\_



# ROUGH VALVE BODY

- R11000 (Case Qty. 3)
- 1/2" Rough-In

## STANDARD SPECIFICATIONS

- Three port diverter rough
- For use with (3) three or (6) six function diverter.
- Forged brass body
- Can be tested with air (200 psi) or water (300 psi) using supplied test cap
- Refer to the installation instructions for more details

## WARRANTY

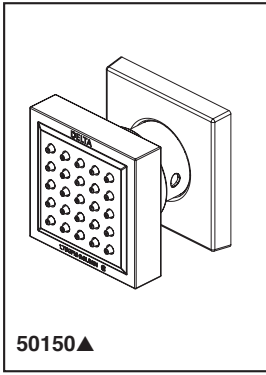
- Lifetime limited warranty on parts (other than electronic parts and batteries) and finishes: or, for commercial users, for 5 years from date of purchase.
- 5 year limited warranty on electronic parts (other than batteries); or, for commercial users, for 1 year from the date of purchase. No warranty is provided on batteries.

## COMPLIES WITH:

- ASME A112.18.1 / CSA B125.1

Delta reserves the right (1) to make changes in specifications and materials, and (2) to change or discontinue models, both without notice or obligation. Dimensions are for reference only. See current full-line price book or [www.deltafaucet.com](http://www.deltafaucet.com) for finish options and product availability.

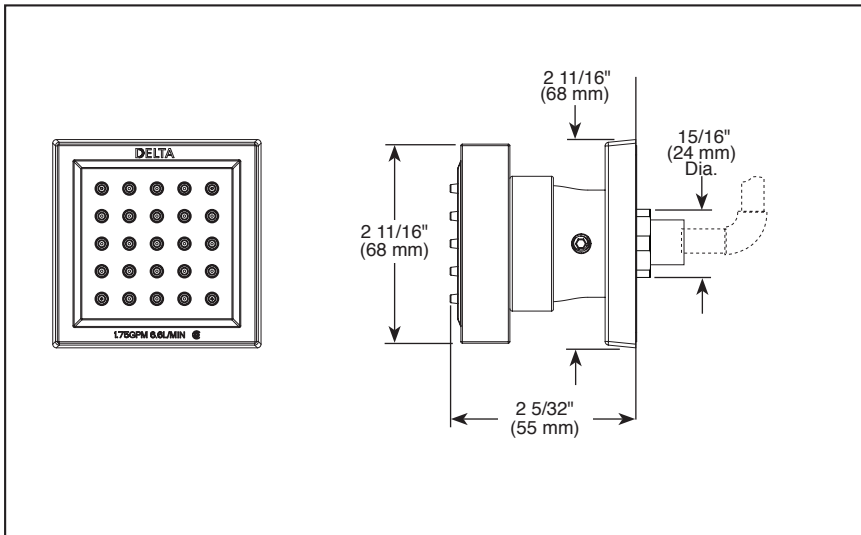




50150▲

Submitted Model No.: \_\_\_\_\_

Specific Features: \_\_\_\_\_



▲ Designate Proper Finish Suffix



see what Delta can do™

## BODY SPRAY

### STANDARD SPECIFICATIONS

- Maximum 1.75 gpm @ 80 psi, 6.6 L/min @ 550 kPa
- 1/2" rough-in\*
- 30° up and down adjustment
- Solid brass construction
- Matching finish spray face
- Touch-clean® nubs

\*Note: This installation requires a 1/2" male threaded pipe fitting to extend 1/4" beyond the finished surface.

### WARRANTY

- Lifetime limited warranty on parts (other than electronic parts and batteries) and finishes; or, for commercial users, for 5 years from date of purchase.
- 5 year limited warranty on electronic parts (other than batteries); or, for commercial users, for 1 year from the date of purchase. No warranty is provided on batteries.

### COMPLIES WITH:

- ASME A112.18.1 / CSA B125.1

Delta reserves the right (1) to make changes in specifications and materials, and (2) to change or discontinue models, both without notice or obligation. Dimensions are for reference only. See current full-line price book or [www.deltafaucet.com](http://www.deltafaucet.com) for finish options and product availability.

DSP-B-50150 Rev. C

### Delta Faucet Company

55 E. 111th Street, Indianapolis, IN 46280  
 350 South Edgeware Road, St. Thomas, ON N5P 4L1  
 © 2017 Delta Faucet Company