



# MultiChoice® Valve Trim with Diverter

## Installation Instructions

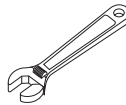
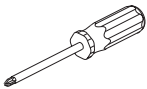
### Owners Manual

84892

T24859, T24867, T24897,  
T24959, T24967, T24997  
Series

Write purchased model number here.

#### You May Need



#### Table of Contents:

|   |             |
|---|-------------|
| Warranties .....                        | Page 2      |
| Installation Instructions .....         | Pages 3 - 8 |
| Clean and care .....                    | Page 9      |
| Maintenance .....                       | Page 9      |
| Cartridge Summary Reference Sheet ..... | Page 9      |
| Classic Series Replacement Parts .....  | Page 12     |

#### For additional replacement parts, visit [www.deltafaucet.com](http://www.deltafaucet.com)

**CAUTION:** This system/device must be set by the installer to ensure safe, maximum temperature. Any change in the setting may raise the discharge temperature above the limit considered safe and may lead to hot water burns.

**NOTICE TO INSTALLER: CAUTION!** – As the installer of this valve, it is your responsibility to properly **INSTALL** and **ADJUST** this valve per the instructions given. This valve does not automatically adjust for inlet temperature changes, therefore, someone must make the necessary Rotational Limit Stop adjustments at the time of installation and further adjustments may be necessary due to seasonal water temperature change. **YOU MUST** inform the owner/user of this requirement by following the instructions. If you or the owner/user are unsure how to properly make these adjustments please refer to page 6 and if still uncertain, call us at 1-800-345-DELTA.

After installation and adjustment, you must affix your name, company name and the date you adjusted the Rotational Limit Stop to the caution

label provided and apply or attach the label to the back side of the closest cabinet door and the warning label to the water heater. **Leave this Instruction Sheet for the owner's/user's reference.**

**WARNING:** This pressure balanced or thermostatic bath valve is designed to minimize the effects of outlet water temperature changes due to inlet pressure changes, commonly caused by dishwashers, washing machines, toilets and the like. It may not provide protection from hot water burns when there is a failure of other temperature controlling devices elsewhere in the plumbing system, if the rotational limit stop is not properly set or if the hot water temperature is changed after the settings are made or if the water inlet changes due to seasonal changes.

**WARNING:** Do not install a shut-off device on either outlet of this valve. When this type of device shuts off the water flow, it can defeat the ability of the valve to balance the hot and cold water pressures.

# Lifetime Faucet and Finish Limited Warranty

## Parts and Finish

All parts (other than electronic parts and batteries) and finishes of this Delta® faucet are warranted to the original consumer purchaser to be free from defects in material and workmanship for as long as the original consumer purchaser owns the home in which the faucet was first installed or, for commercial users, **for 5 years from the date of purchase.**

## Electronic Parts and Batteries (if applicable)

Electronic parts (other than batteries), if any, of this Delta® faucet are warranted to the original consumer purchaser to be free from defects in material and workmanship for 5 years from the date of purchase or, for commercial users, for one year from the date of purchase. No warranty is provided on batteries.

Delta Faucet Company will replace, **FREE OF CHARGE**, during the applicable warranty period, any part or finish that proves defective in material and/or workmanship under normal installation, use and service. If repair or replacement is not practical, Delta Faucet Company may elect to refund the purchase price in exchange for the return of the product. **These are your exclusive remedies.**

Delta Faucet Company recommends using a professional plumber for all installation and repair. We also recommend that you use only genuine Delta® replacement parts.

Delta Faucet Company shall not be liable for any damage to the faucet resulting from misuse, abuse, neglect or improper or incorrectly performed installation, maintenance or repair, including failure to follow the applicable care and cleaning instructions.

Replacement parts may be obtained by calling the applicable number below or by writing to:

## In the United States and Mexico:

Delta Faucet Company  
Product Service  
55 E. 111th Street  
Indianapolis, IN 46280  
1-800-345-DELTA (3358)  
customerservice@deltafaucet.com

## In Canada:

Masco Canada Limited, Plumbing Group  
Technical Service Centre  
350 South Edgeware Road  
St. Thomas, Ontario, Canada N5P 4L1  
1-800-345-DELTA (3358)  
customerservice@mascocanada.com

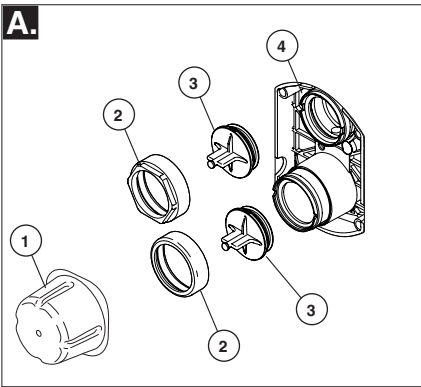
Proof of purchase (original sales receipt) from the original purchaser must be made available to Delta Faucet Company for all warranty claims unless the purchaser has registered the product with Delta Faucet Company. This warranty applies only to Delta® faucets manufactured after January 1, 1995 and installed in the United States of America, Canada and Mexico.

DELTA FAUCET COMPANY SHALL NOT BE LIABLE FOR ANY SPECIAL, INCIDENTAL OR CONSEQUENTIAL DAMAGES (INCLUDING LABOR CHARGES) FOR BREACH OF ANY EXPRESS OR IMPLIED WARRANTY ON THE FAUCET. Some states/provinces do not allow the exclusion or limitation of special, incidental or consequential damages, so these limitations and exclusions may not apply to you. This warranty gives you special legal rights. You may also have other rights which vary from state/province to state/province.

This is Delta Faucet Company's exclusive written warranty and the warranty is not transferable.

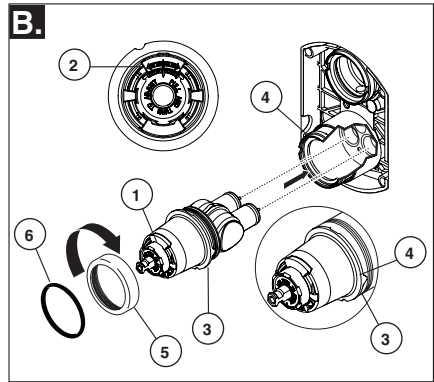
If you have any questions or concerns regarding our warranty, please view our Warranty FAQs at [www.deltafaucet.com](http://www.deltafaucet.com), email us at [customerservice@deltafaucet.com](mailto:customerservice@deltafaucet.com) or call us at the applicable number above.

## 1 Cartridge Installation



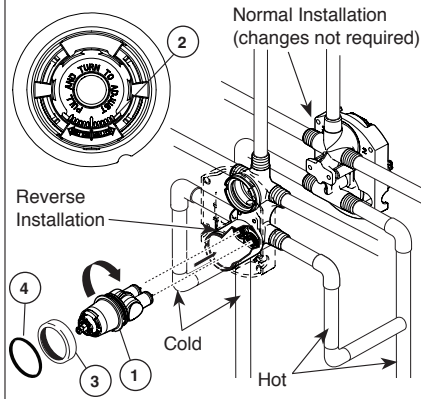
**Turn off water supplies.** Remove cover (1), bonnet nuts (2) and test caps (3) from the rough-in body (4).

Place a bucket or small container over the front of the valve body and slowly open the water supplies to flush any debris from the supply lines before installing the cartridge. Turn the water supplies back off.



Rotate valve cartridge (1) so the words "HOT COLD" (2) appear on the top. Insert cartridge assembly into rough-in body. Make sure the key (3) on the cartridge is fully engaged with the slot in the brass body (4). Insert bonnet nut (5) on the cartridge and thread onto the body. Hand tighten securely. Slide o-ring (6) over cartridge and bonnet. A light coating of plumbers grease applied to o-rings may aid in assembly.

### Back to back Installation



For the exceptions of back to back or reverse installations (hot on right and cold on left) only: Rotate valve cartridge (1) so "HOT COLD" (2) appears on the bottom.

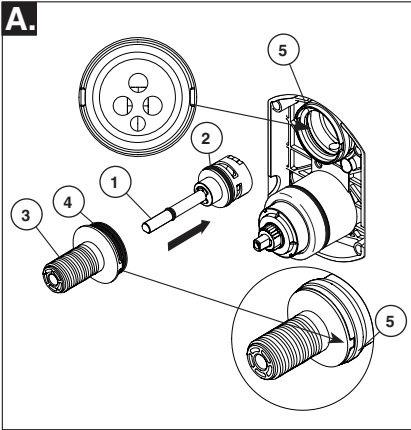
Apply silicone lube to the three o-rings shown above to make the cartridge easier to install and remove from the rough-in body.

Install the cartridge making sure that the keys are fully engaged with the slot in the rough-in body (see step B).

Slide o-ring (4) and bonnet nut (3) over the cartridge and thread onto the rough-in body. Hand tighten securely.

# Installation

## 2 Diverter Cartridge Installation

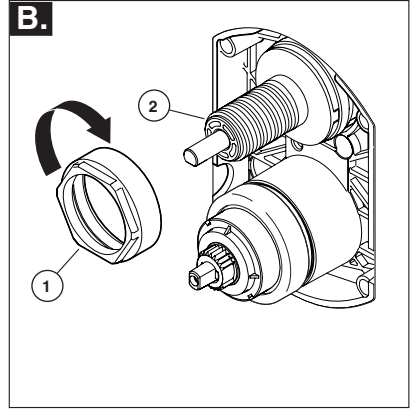


### FOR DIVERTER CARTRIDGE INSTALLATION:

Apply silicone lube to the o-ring (2) to make the diverter sleeve (3) easier to install diverter cartridge. A light coating of plumbers grease applied to o-rings (4) may aid in assembly.

Install diverter cartridge (1) assuring that the locating pin on the bottom of the cartridge aligns with mating hole in rough-in body.

Slide diverter sleeve (3) over cartridge stem aligning tabs on the diverter sleeve with slots in rough-in body (5).

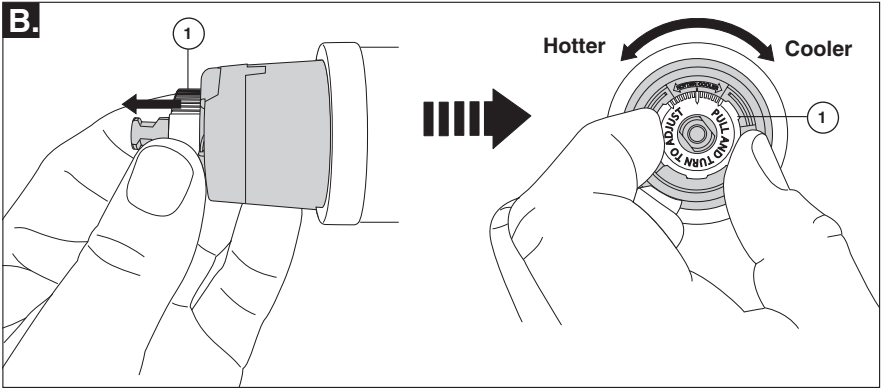


### For Bonnet Installation

Slide bonnet nut (1) over diverter sleeve (2) and thread into rough-in body. Hand tighten securely.

## Installation

### 3 Adjusting the Rotational Limit Stop



#### IMPORTANT:

The Rotational Limit Stop is used to limit the amount of hot water available such that, if set properly, a scald injury is less likely to occur if the handle accidentally is rotated all the way to "hot" when a person is showering. The first position allows the **LEAST** amount of hot water to mix with the cold water in the system. In the first position the water will be the coldest possible when the handle is turned all the way to hot. As you move the Rotational Limit Stop counterclockwise, you progressively add more and more hot water in the mix. The last position to the left will result in the greatest amount of hot water to the mix, and the greatest risk of scald injury if someone accidentally turns the valve handle all the way to the hot side while showering.

**WARNING: In some instances, setting the Rotational Limit Stop in the hottest position (full counterclockwise) could result in scald injury. It is necessary to adjust the Rotational Limit Stop so that the water coming out of the valve will not scald the user when the handle of the valve is rotated to the hot side.**

- According to the majority of industry standards, the maximum allowable temperature of the water exiting the valve is 120°F (Your local plumbing codes may require a water temperature less than 120°F).

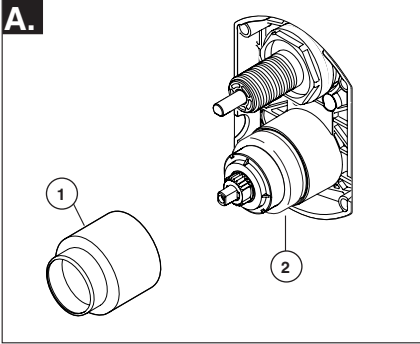
- The Rotational Limit Stop may need to be re-adjusted seasonally if the inlet water temperature changes. For example, during the winter, the cold water temperature is colder than it is during the summer which could result in varying outlet temperatures. A water temperature for a comfortable bath or shower is typically between

90°F - 110°F.

- Run the water so that the cold water is as cold as it will get and hot water is as hot as it will get. Place the handle on the stem (see page 8, step 4C) and rotate the handle counterclockwise until the handle stops.
- Place a thermometer in a plastic tumbler and hold in the water stream. If the water temperature is above 120°F, the Rotational Limit Stop must be repositioned clockwise to decrease valve outlet water temperature to be less than 120°F or to meet the requirements of your local plumbing codes.
- To adjust the temperature of the water coming out of the valve, pull the white Rotational Limit Stop (1) outward and rotate. Clockwise rotation will decrease the outlet temperature, counterclockwise rotation will increase the outlet temperature. Temperature change per tooth (notch) could be 4° - 16°F based on inlet water conditions. Repeat as necessary. When finished, make sure that the Rotational Limit Stop is fully retracted into the seated position. **WARNING: Do not take the Rotational Limit Stop apart.**
- **MAKE SURE COLD WATER FLOWS FROM THE VALVE FIRST. MAKE SURE WATER FLOWING FROM THE VALVE AT THE HOTTEST FLOW POSSIBLE DOES NOT EXCEED 120°F OR THE MAXIMUM ALLOWED BY YOUR LOCAL PLUMBING CODE.**

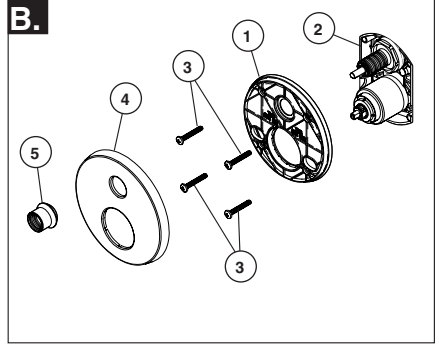
# Installation

## 4 Trim Installation



### Trim Sleeve Installation

Slide trim sleeve (1) over the bonnet (2), valve cartridge and rough-in body. Ensure sleeve is properly positioned over the front of cartridge.



### Escutcheon Installation

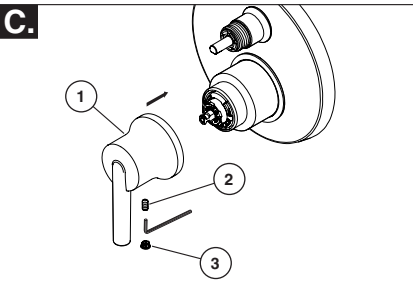
For finished wall thickness up to 1 1/8". Secure the backplate (1) to the rough-in body (2) using 4 screws (3) provided.

**Note: Be sure backplate is oriented front side forward and markings are visible.**

Slide escutcheon (4) over valve and diverter cartridges, thread trim nut (5) provided onto diverter sleeve.

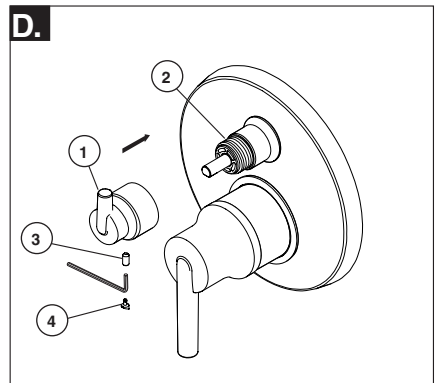
**Note: For thick wall installations, order installation kit RP90542 to support finished wall thickness up to 2 1/8".**

On rough or uneven surfaces it is necessary to apply caulk around the backplate (1) to supplement the seal. Do not caulk the drip notch in the bottom of the backplate (1). Do not caulk the escutcheon (4).



### Valve Handle Installation

Using an allen wrench, install valve handle (1) with screw (2). Applying pressure, insert button (3) until properly seated.

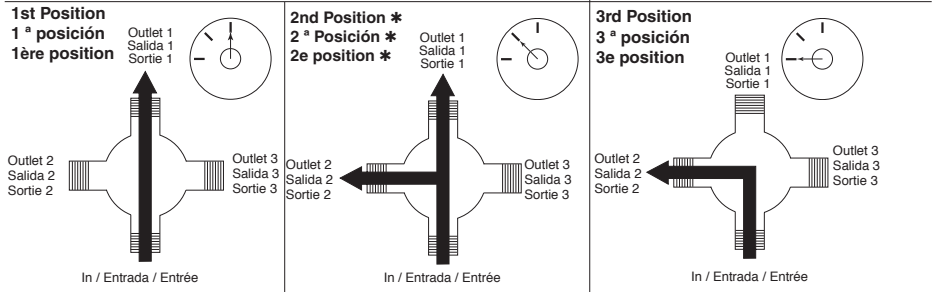


### Diverter Handle Installation

Slide diverter handle (1) onto trim sleeve (2). Using an allen wrench, insert set screw (3) into handle (1). Applying pressure, insert set screw cover (4) until properly seated.

# Diverter Handle Reference Sheet

## Water Flow For 3 Function Diverter / Flujo de agua para Desviadores de 3 posiciones / Écoulement de l'eau pour les inverseurs à 3 positions

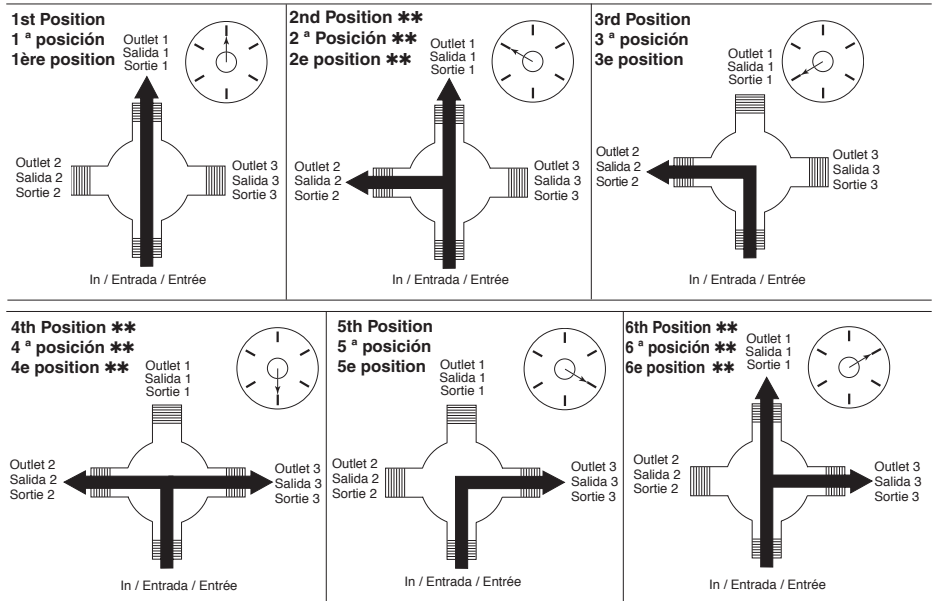


\* Shared positions do not exist in non-shared cartridges.

\* Los ajustes o posiciones compartidas no existen en los cartuchos no-compartidos.

\* Comme leur nom l'indique, les cartouches sans position partagée ne comportent aucune position partagée.

## Water Flow For 6 Function Diverter / Flujo de agua para Desviadores de 6 posiciones / Écoulement de l'eau pour les inverseurs à 6 positions



\*\* Shared positions do not exist in non-shared cartridges.

\*\* Los ajustes o posiciones compartidas no existen en los cartuchos no-compartidos.

\*\* Comme leur nom l'indique, les cartouches sans position partagée ne comportent aucune position partagée.

## Clean and Care

Care should be given to the cleaning of this product. Although its finish is extremely durable, it can be damaged by harsh abrasives or polish. To clean, simply wipe gently with a damp cloth and blot dry with a soft towel.

## Maintenance

### Faucet leaks from showerhead:

SHUT OFF WATER SUPPLIES.

Replace seats and springs—Repair Kit RP4993. Check condition of lower O-rings and replace if necessary RP14414. See Helpful Hints 1, 2, & 3.

### If leak persists:

SHUT OFF WATER SUPPLIES.

Replace valve cartridge RP46074.

See Helpful Hints 1, 2, 3, 4 & 5

### Unable to maintain constant water temperature:

Replace housing assembly with RP46074 or follow instructions in Helpful Hints 1, 2, 3, 4 & 5.

### Helpful Hints:

1. Before removing valve cartridge assembly for any maintenance, be sure to note the position of the rotational limit stop on the cap. The valve cartridge assembly must always be put back in the same position. BE SAFE! After you have finished the installation, turn on valve to make sure COLD WATER FLOWS FIRST.
2. To remove valve cartridge from body, shut off

water supplies and remove handle and bonnet nut. Do not pry the valve cartridge out of the body with a screwdriver. Place handle on stem and rotate counterclockwise approximately 1/4 turn after the stop has been contacted. Lift valve cartridge out of body.

3. To remove seats and springs.

Remove valve cartridge. Separate cap assembly from the housing assembly by rotating the cap assembly counterclockwise 90° (degrees). Separate cap and housing assemblies.

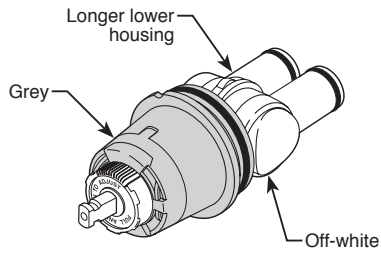
4. If the water in your area has lime, rust, sand or other contaminants in it, your pressure balance valve will require periodic inspection. The frequency of the inspection will depend on the amount of contaminants in the water. To inspect valve cartridge remove it and follow the steps in note 1 above. Turn the valve to the full mix position and shake the cartridge vigorously. If there is a rattling sound, the unit is functional and can be reinstalled following instructions given in note 1 above. If there is no rattle, replace the housing assembly with the proper RP.

5. Push disc until fully seated. See page 6 for more details



## Cartridge Summary Reference Sheet

T24



**Order RP46074 to  
Replace Cartridge.**



# Instrucciones para la instalación del Accesorio de la Válvula MultiChoice® con desviador

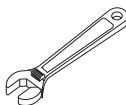
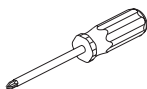
## Manual para propietarios

T24859, T24867, T24897,  
T24959, T24967, T24997  
Series

84892

Escriba el número del modelo aquí.

### Puede necesitar



### Tabla de contenido:

|  |               |
|--|---------------|
| Garantías.....                                 | Página 2      |
| Instrucciones de instalación .....             | Páginas 3 - 8 |
| Limpieza y cuidado .....                       | Página 9      |
| Mantenimiento .....                            | Página 9      |
| Hoja de referencia para el Cartucho .....      | Página 9      |
| Piezas de repuesto para la serie Classic ..... | Página 12     |

### Para obtener piezas de repuesto adicionales, visite [www.deltafaucet.com](http://www.deltafaucet.com)

**ADVERTENCIA:** Este sistema/dispositivo debe estar configurado por el instalador para asegurar una temperatura máxima segura. Cualquier cambio en el ajuste puede aumentar la temperatura de descarga por encima del límite considerado seguro y puede resultar en quemaduras por agua caliente.

**AVISO PARA EL INSTALADOR: ¡ATENCIÓN!** -Como instalador de esta válvula, es su responsabilidad de **INSTALAR y AJUSTAR** correctamente esta válvula según las instrucciones proporcionadas. Esta válvula no se ajusta automáticamente a los cambios de temperatura de entrada, por lo tanto, alguien debe hacer los ajustes necesarios con la perilla de control de temperatura en el momento de la instalación y ajustes adicionales pueden ser necesarios debido a cambios estacionales de la temperatura del agua. **USTED DEBE** informar al propietario/ usuario de este requisito siguiendo las instrucciones. Si usted o el dueño/consumidor no está seguro de como hacer estos ajustes, **consulte la página 7** y si aún tiene duda, llámenos al **1-877-345-DELTA**.

Después de la instalación y el ajuste, debe colocar su nombre, nombre de la empresa y la fecha en que ajustó la perilla de control de la temperatura a la etiqueta de precaución proporcionada y aplique o pegue la etiqueta en la parte trasera de la puerta del armario más cercano y la

etiqueta de advertencia al calentador de agua. **Deje esta hoja de instrucciones para referencia del propietario / usuario.**

**ADVERTENCIA:** Esta válvula termostática de baño está diseñada para minimizar los efectos de los cambios de temperatura del agua de salida debido a cambios de presión y temperatura, causados habitualmente por los lavaplatos, las lavadoras, los inodoros y otros aparatos similares. Puede no ofrecer protección contra las quemaduras por agua caliente cuando hay un fallo de otros dispositivos para el control de temperatura en otras partes del sistema de plomería, si el Tope del Límite Rotacional no está configurado correctamente o si se cambia la temperatura del agua caliente después de realizar los ajustes o si el agua admisión cambia debido a los cambios estacionales.

**ADVERTENCIA:** No instale un dispositivo de cierre en cualquiera de las tuberías de salida de agua de esta válvula. Cuando este tipo de dispositivo cierra el flujo del agua, pueda aminorar el propósito de la válvula para balancear las presiones del agua caliente y fría.

## Garantía limitada de por vida de la llave de agua y acabado

### Piezas y Acabado

Todas las piezas (menos las piezas electrónicas y las pilas) y acabados de esta Llave de agua – grifo Delta® están garantizados al consumidor comprador original, de estar libres de defectos en materiales y mano de obra durante el tiempo que el comprador original sea dueño de la casa en la cual la llave de agua fue instalada por primera vez o, **para los usuarios comerciales, por cinco (5) años desde la fecha de compra.**

### Piezas electrónicas y las baterías/pilas (si aplicable)

Las piezas electrónicas (excepto las baterías), sea el caso, de este grifo Delta® están garantizadas al consumidor comprador original, de estar libres de defectos en materiales y mano de obra durante 5 años desde la fecha de compra o, para los usuarios comerciales, durante un año desde la fecha de compra. La garantía no cubre las baterías.

Delta Faucet Company reparará o reemplazará, SIN COSTO ALGUNO, durante el período de garantía aplicable, cualquier pieza o acabado que presente defectos en materiales y/o mano de obra bajo instalación, uso y servicio normal. Si la reparación o sustitución no es práctica, Delta Faucet Company podrá optar reintegrarle el precio de la compra a cambio de la devolución del producto. **Estos son sus únicos recursos.**

Delta Faucet Company recomienda que use un plomero profesional para todas las instalaciones y reparación. También recomienda que utilice sólo piezas de repuesto Delta®.

Delta Faucet Company no será responsable de cualquier daño a la llave de agua/grifo resultante del uso indebido, abuso, negligencia o uso inapropiado o instalación realizada de forma incorrecta, mantenimiento o reparación, incluyendo el no seguir las instrucciones de cuidado y limpieza aplicables.

Las piezas de repuesto se pueden obtener llamando al número que figura más abajo o escribiendo a:

### En los Estados Unidos y Mexico:

Delta Faucet Company  
Product Service  
55 E. 111th Street  
Indianapolis, IN 46280  
1-800-345-DELTA (3358)  
customerservice@deltafaucet.com

### En Canadá:

Masco Canada Limited, Plumbing Group  
Technical Service Centre  
350 South Edgeware Road  
St. Thomas, Ontario, Canada N5P 4L1  
1-800-345-DELTA (3358)  
customerservice@mascocanada.com

La prueba de compra (recibo original de venta) del comprador original debe ponerse a la disposición de Delta Faucet Company para todos los reclamos de garantía a menos que el comprador haya registrado el producto con Delta Faucet Company. Esta garantía se aplica solamente a las llaves de agua/grifos Delta ® fabricadas después de 1 de enero de 1995 e instalados en los Estados Unidos de América, Canadá y México.

**DELTA FAUCET COMPANY NO SERÁ RESPONSABLE POR DAÑOS ESPECIALES, INCIDENTALES O CONSECUENTES (INCLUYENDO CARGOS DE LABOR) YA SEAN RESULTANTES DEL INCUMPLIMIENTO DE CUALQUIER GARANTÍA EXPRESA O IMPLÍCITA DE LA LLAVE DE AGUA/GRIFO.**

Algunos estados/provincias no permiten la exclusión o limitación de daños especiales, incidentales o consecuentes, por lo que estas limitaciones y exclusiones pueden no aplicarle en su caso.

Esta garantía le otorga derechos legales especiales, y usted también puede tener otros derechos que varían de estado/provincia a estado/provincia.

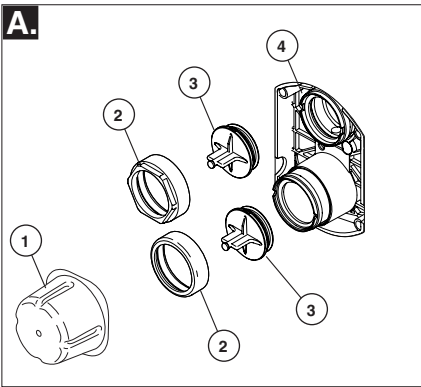
Esta es la garantía exclusiva por escrito de Delta Faucet Company, y la garantía no es transferible.

Si usted tiene alguna pregunta o inquietud acerca de nuestra garantía, por favor vea nuestra sección de Preguntas Frecuentes sobre la garantía en [www.deltafaucet.com](http://www.deltafaucet.com).

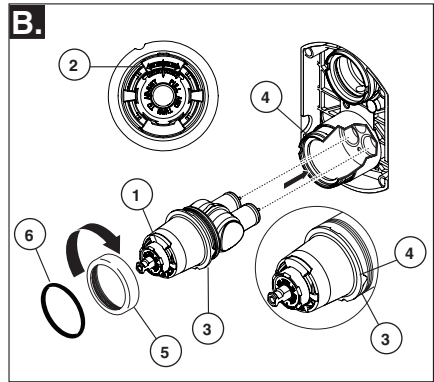
[www.deltafaucet.com](http://www.deltafaucet.com)

© 2016 Masco Corporación of Indiana

## 1 Instalación del cartucho



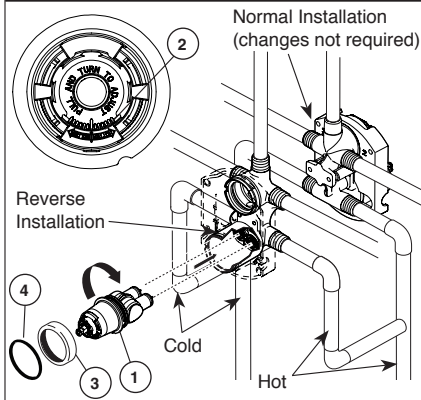
**Cierre los suministros de agua.** Quite la tapa (1), las tuercas tapas (2) y las tapas de prueba (3) del cuerpo de la tubería preliminar detrás de la pared (4). Coloque una cubeta o recipiente pequeño sobre el frente del cuerpo de la válvula y abra lentamente los suministros de agua para eliminar cualquier residuo de las líneas de suministro antes de instalar el cartucho. Cierre otra vez el agua de suministro.



Gire el cartucho de la válvula (1) de forma que las palabras "HOT COLD" estén en la parte superior. Inserte el cartucho en el cuerpo de la tubería preliminar. Asegúrese de que el dentado en el cuerpo está totalmente encajado en la muesca en el cuerpo de bronce (4). Introduzca la tuerca tapa (5) en el cartucho y enrosque en el cuerpo. Apriete bien a mano y deslice la junta tórica (6) en el casquete y el cartucho.

La aplicación de una ligera capa de grasa de plomeros en las juntas tóricas puede facilitar el montaje.

### Instalación dorso con dorso

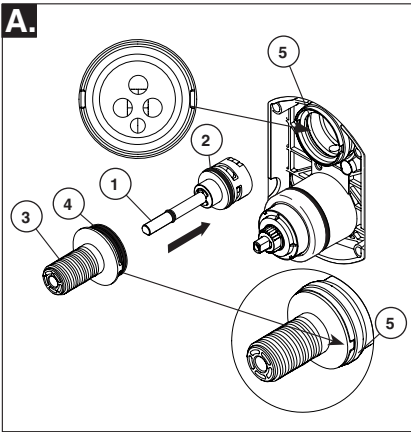


Solo para las excepciones de dorso con dorso o instalaciones inversas (caliente en la derecha y fría en la izquierda): Gire el cartucho de la válvula (1) de forma que "HOT COLD" (2) aparezcan abajo.

Aplique lubricante de silicona en las tres juntas tóricas mostradas para facilitar la instalación del cartucho y quitar del cuerpo de la tubería preliminar. Instale el cartucho asegurándose de que los dentados están totalmente encajados en la ranura en el cuerpo de la tubería preliminar (véase el paso B).

Deslice la junta tórica (3) y la tuerca tapa (4) sobre el cartucho y enrosque en el cuerpo de la tubería preliminar. Apriete con la mano de forma segura.

## 2 Instalación del cartucho desviador

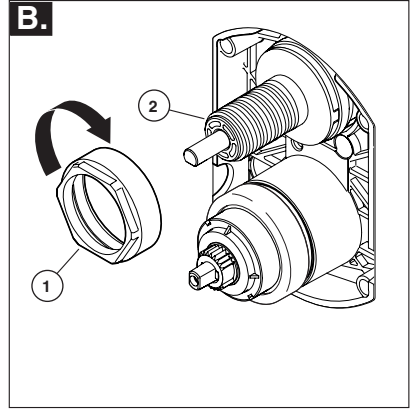


### PARA LA INSTALACIÓN DEL CARTUCHO DE DESVÍO:

Aplique lubricante de silicona a la junta tórica (2) para facilitar la instalación del cartucho desviador con el casquillo desviador (3). La aplicación de una ligera capa de grasa de plomeros a las juntas tóricas (4) puede facilitar el montaje.

Instale el cartucho desviador (1) asegurando que el pasador de posicionamiento que está en la parte inferior del cartucho se alinee con el agujero correspondiente en el cuerpo de la tubería preliminar.

Deslice el casquillo desviador (3) sobre la espiga del cartucho alineando las lengüetas en el casquillo desviador con ranuras en el cuerpo de la tubería preliminar (5).

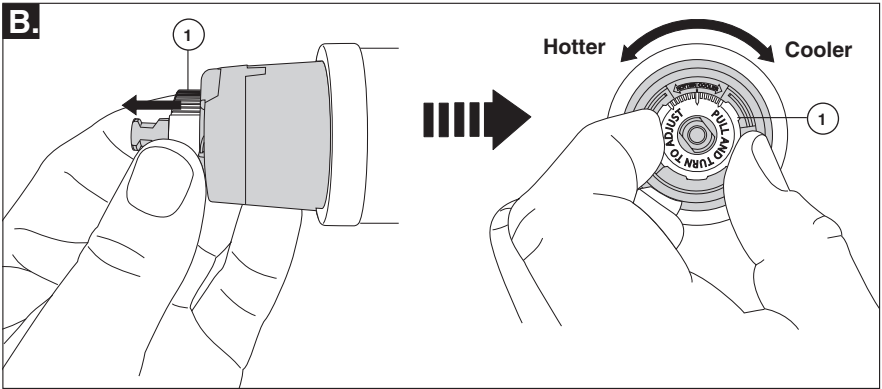


### Para la instalación del casquete

Deslice la tuerca tapa (1) sobre el casquillo desviador (2) y enrosque en el cuerpo de la tubería preliminar. Apriete a mano de forma segura.

## 3

### Ajuste del tope del límite de la temperatura



#### IMPORTANTE:

El tope del límite de rotación se utiliza para limitar la cantidad de agua caliente disponible de manera que, si se configura correctamente, una lesión por quemadura es menos probable que ocurra si la manija accidentalmente se gira completamente "caliente" cuando una persona se está duchando. La primera posición permite la menor cantidad de agua caliente se mezcla con el agua fría en el sistema. En la primera posición el agua será lo más fría posible cuando la palanca se gira totalmente al lado caliente. Al mover el tope del límite rotacional en sentido antihorario/izquierda, agrega progresivamente más y más agua caliente en la mezcla. La última posición a la izquierda resultará en la mayor cantidad de agua caliente a la mezcla, y el mayor riesgo de lesiones por quemadura si alguien gira accidentalmente la válvula de completamente hasta el lado caliente mientras se ducha.

**ADVERTENCIA:** En algunos casos, la configuración del tope del límite rotacional en la posición más caliente ( antihorario completo) podría resultar en lesiones por quemaduras. Es necesario ajustar el límite del tope rotacional de modo que el agua que sale de la válvula no escaldará al usuario cuando la manija de la válvula se gira hacia el lado caliente

- De acuerdo con la mayoría de los estándares de la industria, la temperatura máxima permisible del agua que sale de la válvula es de 120° F (los códigos de plomería locales puede requerir una temperatura del agua inferior a 120° F).

- Puede requerir reajustar el límite del tope rotacional estacionalmente si cambia la temperatura del agua de entrada. Por ejemplo, durante el invierno, la temperatura del agua fría es más fría de lo que es durante el verano que podría resultar en que varíen las temperaturas de salida. Una temperatura del agua para un baño o una ducha cómoda es típicamente entre 90° F - 110° F.

- Deje que el agua fría fluya lo más fría posible y el agua caliente fluya lo más caliente posible. Coloque la manija en la espiga (véase

página 8, paso 4C) y gírela hacia la izquierda hasta que se detenga.

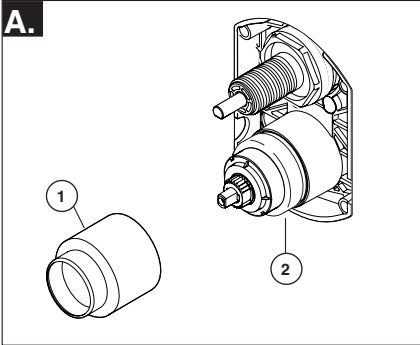
- Coloque un termómetro en un vaso plástico, y sostenga el vaso bajo el chorro de agua. Si la temperatura del agua está por encima de 120° F, el límite del tope rotacional se

debe reposicionar hacia la derecha para disminuir la temperatura del agua de la válvula de salida a menos de 120° F o para cumplir con los requisitos de los códigos de plomería locales.

- Para ajustar la temperatura del agua que sale de la válvula, hale el tope del Límite Rotacional (1) hacia afuera y gire. Si gira hacia la derecha disminuirá la temperatura de salida, si lo hace en sentido contrario aumentará la temperatura de salida. El cambio de temperatura por diente (muesca) puede ser de 4° - 16° F basado en las condiciones del agua de entrada. Repita si es necesario. Cuando haya terminado, asegúrese de que el Tope del Límite Rotacional está completamente retraído a la posición de sentada. **ADVERTENCIA: No desarme el Tope del Límite Rotacional.**

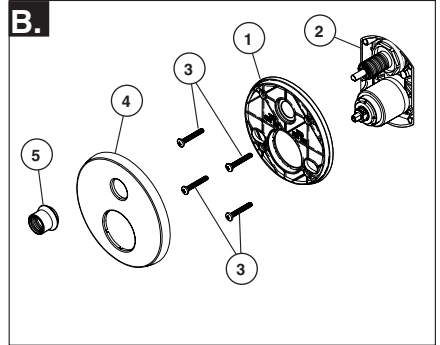
- **ASEGÚRESE DE QUE EL AGUA FRÍA FLUYA PRIMERO DE LA VÁLVULA. VERIFIQUE DE QUE EL AGUA MÁS CALIENTE POSIBLE QUE FLUYE VÁLVULA NO EXCEDA 120° F O LA MÁXIMA PERMITIDA POR EL CÓDIGO LOCAL DE PLOMERÍA.**

## 4 Instalación del accesorio



### Instalación del casquillo del accesorio

Deslice el casquillo del accesorio (1) sobre el casquete (2), el cartucho y el cuerpo de la tubería preliminar. Asegúrese que el casquillo está correctamente colocado sobre el frente del cartucho.



### Instalación del chapetón

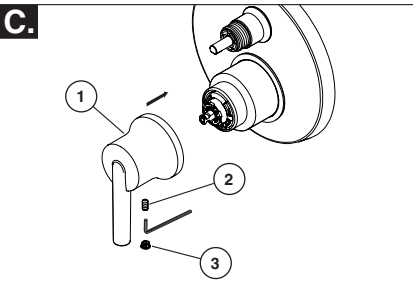
Para paredes acabadas de un grosor hasta 1 1/8". Fije la placa posterior (1) al cuerpo de la unidad de las tuberías preliminares (2) usando los 4 tornillos (3) proporcionados.

**Nota:** asegúrese que la placa trasera está colocada con el frente hacia adelante y con las marcas visibles.

Deslice el chapetón o chapa de cubierta (4) sobre la válvula y los cartuchos desviadores, enrosque la tuerca del accesorio (5) proporcionada en el casquillo del desviador.

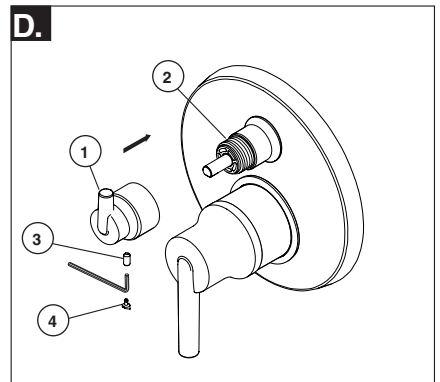
**Nota:** para instalaciones en paredes gruesas, ordene el juego de piezas RP90542 para soporte de la pared acabada hasta de 2 1/8" de grosor.

En superficies rugosas o desiguales, es necesario aplicar masilla alrededor de la placa posterior (1) para complementar el sello. No calafatee la muesca de goteo en el fondo de la chapa posterior (1). No calafatee el chapetón (4).



### Instalación de la válvula de la manija

Usando una llave allen, instale la manija de la válvula (1) con el tornillo (2). Aplicando presión, inserte el botón (3) hasta que esté asentado adecuadamente.



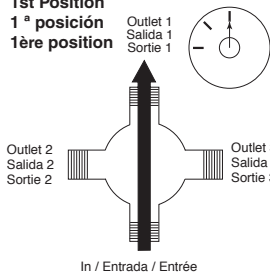
### Instalación del desviador de la manija

Inserte la manija del desviador (1) sobre el casquillo del accesorio (2). Usando una llave allen, inserte el tornillo de fijación/ajuste (3) en la manija (1). Aplicando presión, inserte la tapa del tornillo de ajuste (4) hasta que esté bien asentada.

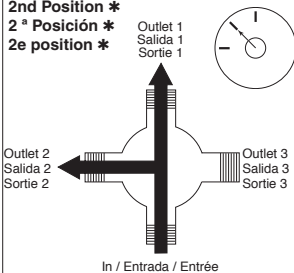
# Hoja de referencia para la manija desviadora

## Water Flow For 3 Function Diverter / Flujo de agua para Desviadores de 3 posiciones / Écoulement de l'eau pour les inverseurs à 3 positions

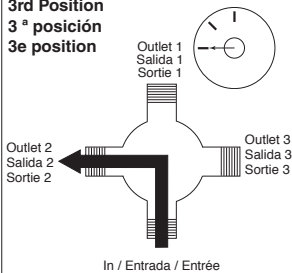
**1st Position**  
**1<sup>a</sup> posición**  
**1ère position**



**2nd Position \***  
**2<sup>a</sup> Posición \***  
**2e position \***



**3rd Position**  
**3<sup>a</sup> posición**  
**3e position**



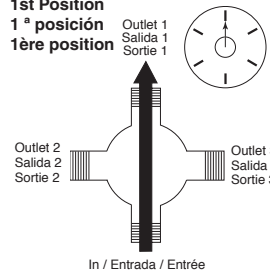
\* Shared positions do not exist in non-shared cartridges.

\* Los ajustes o posiciones compartidas no existen en los cartuchos no-compartidos.

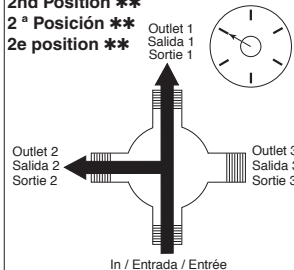
\* Comme leur nom l'indique, les cartouches sans position partagée ne comportent aucune position partagée.

## Water Flow For 6 Function Diverter / Flujo de agua para Desviadores de 6 posiciones / Écoulement de l'eau pour les inverseurs à 6 positions

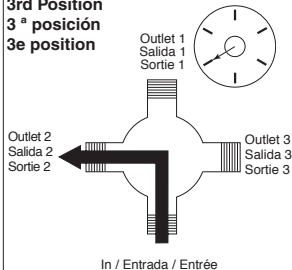
**1st Position**  
**1<sup>a</sup> posición**  
**1ère position**



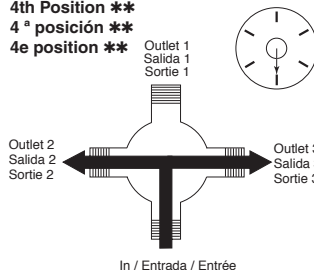
**2nd Position \*\***  
**2<sup>a</sup> Posición \*\***  
**2e position \*\***



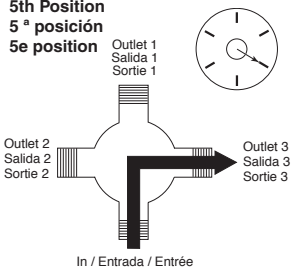
**3rd Position**  
**3<sup>a</sup> posición**  
**3e position**



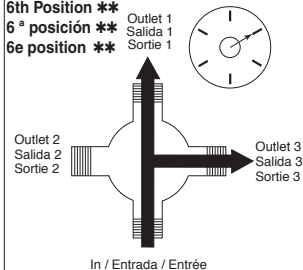
**4th Position \*\***  
**4<sup>a</sup> posición \*\***  
**4e position \*\***



**5th Position**  
**5<sup>a</sup> posición**  
**5e position**



**6th Position \*\***  
**6<sup>a</sup> posición \*\***  
**6e position \*\***



\*\* Shared positions do not exist in non-shared cartridges.

\*\* Los ajustes o posiciones compartidas no existen en los cartuchos no-compartidos.

\*\* Comme leur nom l'indique, les cartouches sans position partagée ne comportent aucune position partagée.



## Limpeza y Cuidado

Se debe tener cuidado con la limpieza de este producto. Aunque su acabado es extremadamente resistente, puede ser dañado por abrasivos o pulimentos ásperos. Para limpiar, simplemente frote con un paño húmedo y seque con una toalla suave.

## Mantenimiento

### **Si hay filtración de agua desde la llave de agua/grifo de la regadera:**

**CIERRE LOS SUMINISTROS DE AGUA.**

Reemplace los asientos y resortes – Juego de Pieza de Repuesto RP4993. Examine el estado de las juntas tóricas inferiores y reemplace si es necesario con RP14414.

Vea sugerencias útiles 1, 2, y 3.

### **Si la filtración persiste:**

**CIERRE LOS SUMINISTROS DE AGUA**

Reemplace la válvula de cartucho con RP46474.

Vea sugerencias útiles 1, 2, 3, 4 y 5.

### **Incapaz de mantener la temperatura del agua constante:**

Reemplace el ensamble de la envoltura con la pieza RP46074 o siga las instrucciones en Consejos útiles 1, 2, 3, 4 y 5.

### **Sugerencias útiles:**

1. Before removing valve cartridge assembly for any mAntes de retirar el ensamble del cartucho de la válvula para cualquier tarea de mantenimiento, asegúrese de anotar la posición del tope de rotación en la tapa. El ensamble del cartucho de la válvula siempre debe ser puesto de nuevo en la misma posición. ¡CUIDESE! Después de que haya terminado la instalación, abra la válvula para asegurarse de que el agua FLUYE FRÍA PRIMERO.

2. Para extraer el cartucho de la válvula del cuerpo, cierre el suministro de agua y retire la manija y la tuerca tapa. No se debe quitar el cartucho de la válvula del cuerpo con un destornillador. Coloque la manija en la espiga y gire hacia la izquierda aproximadamente 1/4 de vuelta después que el tope tenga contacto. Levante el cartucho de la válvula del cuerpo.

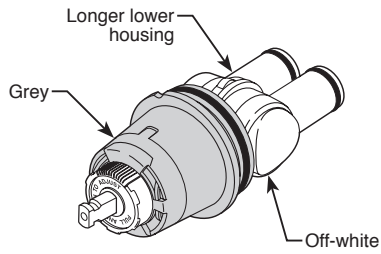
3. Para retirar los asientos y resortes. Retire el cartucho de la válvula. Separe el ensamble de la tapa de la cubierta girando el ensamble de la tapa 90° (grados) hacia la derecha. Desarme los ensambles de la tapa y la envoltura.

4. Si el agua en su área contiene cal, óxido, arena u otros contaminantes, su válvula de equilibrio de presión requerirá una inspección periódica. La frecuencia de la inspección dependerá de la cantidad de contaminantes en el agua. Para inspeccionar el cartucho de la válvula y quitarla y siga los pasos indicados en la nota 1 anterior. Gire la válvula a la posición de mezcla completa y agite el cartucho con fuerza. Si hay un sonido de traqueteo, la unidad es funcional y se puede volver a instalar siguiendo las instrucciones dadas en la nota 1 anterior. Si no hay traqueteo, reemplace el conjunto de la cubierta con la pieza de repuesto/RP adecuada.

5. Oprima el disco hasta que quede totalmente asentado. Vea la página 6 para obtener más detalles.

## Cartridge Summary Reference Sheet

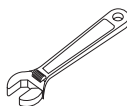
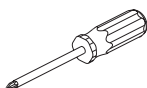
T24



**Order RP46074 to  
Replace Cartridge.**

Inscrivez le numéro du modèle acheté ici.

### Ce dont vous pouvez avoir besoin



### Table des matières:

|   |               |
|---|---------------|
| Garanties .....                                   | Página 2      |
| Instructions d'installation .....                 | Páginas 3 - 8 |
| Nettoyage et entretien .....                      | Página 9      |
| Maintenance .....                                 | Página 9      |
| Fiche de référence sommaire de la cartouche ..... | Página 9      |
| Pièces de rechange de la série Classic.....       | Página 12     |

Pour obtenir de l'information sur d'autres pièces de rechange, visitez : [www.deltafaucet.com](http://www.deltafaucet.com)

**ATTENTION** : Ce système ou cet appareil doit être réglé par l'installateur pour que sa température maximale soit sans danger. Tout changement du réglage peut entraîner une hausse de température au delà de la limite considérée sécuritaire et occasionner l'ébullition.

**AVIS À L'INSTALLATEUR: ATTENTION!** - En qualité d'installateur de cette soupape, vous avez la responsabilité de L'INSTALLER et de la RÉGLER correctement selon les instructions fournies. Cette soupape ne s'adapte pas automatiquement aux fluctuations de la température de l'eau d'alimentation. Par conséquent, il faut régler la butée de température maximale au moment de l'installation et il peut être nécessaire de faire de nouveaux réglages par la suite en raison des fluctuations saisonnières de la température de l'eau. **VOUS DEVEZ** informer le propriétaire ou l'utilisateur de cette exigence. En cas de doute quant à la marche à suivre pour faire ces réglages, veuillez consulter la page 6. Si vous avez encore des doutes, veuillez appeler au 1 800-345-DELTA.

Après avoir terminé l'installation et le réglage, vous devez inscrire, sur l'étiquette de mise en garde fournie, votre nom, le nom de votre entreprise et la date à laquelle vous avez réglé la butée de température maximale, puis fixer l'étiquette à l'endos de la porte de la coiffeuse. Vous devez également fixer l'étiquette d'avertissement au chauffe-eau. **Veuillez**

laisser ce feuillet d'instructions au propriétaire ou à l'utilisateur pour qu'il puisse le consulter au besoin.

**MISE EN GARDE:** - Ce robinet thermostatique à équilibrage de pression pour baignoire est conçu pour limiter les effets des fluctuations de température de l'eau causées par les variations de la pression d'alimentation attribuables au fonctionnement d'un lave-vaisselle, d'une machine à laver, d'un cabinet d'aisances ou d'un autre appareil qui consomme de l'eau. Il peut ne pas protéger l'utilisateur contre l'échaudage en cas de défaillance d'un autre dispositif de régulation de la température, de réglage erroné de la butée de température maximale, de modification de la température de l'eau chaude après le réglage de la butée de température maximale ou de fluctuation saisonnière de la température de l'eau d'alimentation.

**MISE EN GARDE:** - N'installez pas de dispositif d'arrêt sur une sortie quelconque de cette soupape. En interrompant l'écoulement de l'eau, ce dispositif peut empêcher la soupape d'équilibrer les pressions d'eau chaude et d'eau froide.

## Garantie à vie sur le robinet et garantie limitée sur le fini

### Pièces et finis

Toutes les pièces (à l'exception des composants électroniques et des piles) et tous les finis de ce robinet Delta® sont protégés contre les défauts du matériau et les vices de fabrication par une garantie qui est consentie au premier acheteur et qui demeure valide tant que celui-ci demeure propriétaire de la maison dans laquelle le robinet a été installé. Dans le cas d'une utilisation commerciale, la garantie est de **5 ans à compter de la date d'achat**.

### Composants électroniques et piles (le cas échéant)

Si ce robinet Delta® comporte des composants électroniques, ces composants (à l'exception des piles) sont protégés contre les défauts du matériau et les vices de fabrication par une garantie consentie au premier acheteur qui est d'une durée de 5 ans à compter de la date d'achat. Dans le cas d'une utilisation commerciale, la garantie est d'un an à compter de la date d'achat. Aucune garantie ne couvre les piles. Delta Faucet Company remplacera, GRATUITEMENT, pendant la période de garantie applicable, toute pièce ou tout fini qui présentera une défectuosité du matériau et/ou un vice de fabrication pour autant que le robinet ait été installé, utilisé et entretenu normalement. S'il est impossible de réparer ou de remplacer le robinet, Delta Faucet Company pourra décider de rembourser le prix d'achat du produit pour autant que celui-ci lui soit retourné. **Il s'agit de vos seuls recours.**

Delta Faucet Company recommande de confier l'installation et la réparation à un plombier professionnel. Nous vous recommandons également d'utiliser uniquement des pièces de rechange authentiques Delta®. Delta Faucet Company se dégage de toute responsabilité à l'égard des dommages causés au robinet en raison d'un mauvais usage, d'un usage abusif, de la négligence ou de l'utilisation d'une méthode d'installation, de maintenance ou de réparation incorrecte ou inadéquate, y compris les dommages résultant du non-respect des instructions de nettoyage et d'entretien applicables.

Pour obtenir des pièces de rechange, veuillez appeler au numéro applicable ci-dessous ou écrire à l'adresse applicable ci-dessous:

### Aux États-Unis et au Mexique:

Delta Faucet Company  
Product Service  
55 E. 111th Street  
Indianapolis, IN 46280  
1-800-345-DELTA (3358)  
customerservice@deltafaucet.com

### Au Canada:

Masco Canada Limited, Groupe plomberie  
Centre de services techniques  
350 South Edgeware Road  
St. Thomas, Ontario, Canada N5P 4L1  
1-800-345-DELTA (3358)  
customerservice@mascocanada.com

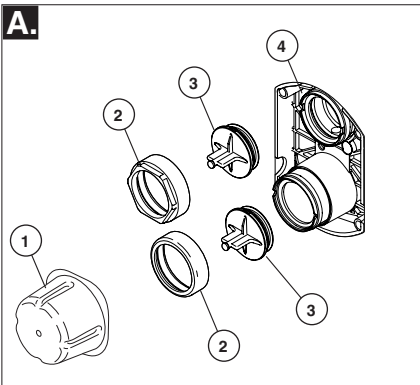
La preuve d'achat (reçu original) du premier acheteur doit être présentée à Delta Faucet Company pour toutes les demandes en vertu de la garantie, sauf si le produit a été enregistré auprès de Delta Faucet Company. La présente garantie s'applique uniquement aux robinets Delta® fabriqués après le 1er janvier 1995 et installés aux États-Unis d'Amérique, au Canada et au Mexique.

DELTA FAUCET COMPANY SE DÉGAGE DE TOUTE RESPONSABILITÉ À L'ÉGARD DES DOMMAGES PARTICULIERS, CONSÉCUTIFS OU INDIRECTS (Y COMPRIS LES FRAIS DE MAIN-D'OEUVRE) QUI POURRAIENT RÉSULTER DE LA VIOLATION D'UNE GARANTIE IMPLICITE OU EXPLICITE QUELCONQUE SUR LE ROBINET. Dans les États ou les provinces où il est interdit de limiter ou d'exclure la responsabilité à l'égard des dommages particuliers, consécutifs ou indirects, les limites et les exclusions susmentionnées ne s'appliquent pas. La présente garantie vous donne des droits précis qui peuvent varier selon l'État ou la province où vous résidez.

La présente garantie écrite est la garantie exclusive offerte par Delta Faucet Company et elle n'est pas transférable.

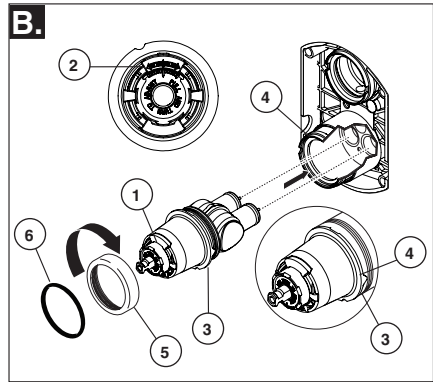
Si vous avez des questions ou des préoccupations en ce qui concerne notre garantie, veuillez consulter la page Warranty FAQs à [www.deltafaucet.com](http://www.deltafaucet.com), faire parvenir un courriel à [customerservice@deltafaucet.com](mailto:customerservice@deltafaucet.com) ou nous appeler au numéro applicable.

## 1 Installation de la cartouche



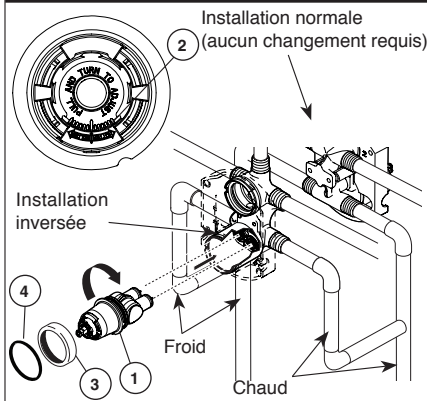
**Fermez les robinets d'alimentation.** Retirez le capuchon (1), les écrous-chapeaux (2) et les capuchons d'essai (3) du corps de robinetterie brute (4).

Placez un seau ou un petit contenant sur l'avant du corps de soupape et ouvrez lentement les robinets d'arrêt pour évacuer les corps étrangers de la tuyauterie avant d'installer la cartouche. Fermez de nouveau les robinets d'arrêt.



Tournez la cartouche (1) de sorte que les mots « HOT et COLD » (2) se trouvent sur le dessus. Introduisez la cartouche dans le corps de robinetterie brute. Assurez-vous que l'ergot (3) sur la cartouche est parfaitement engagé dans la rainure du corps en laiton (4). Glissez l'écrou-chapeau (5) sur la cartouche et vissez-le sur le corps. Serrez-le à la main solidement. Glissez le joint torique (6) sur la cartouche et le chapeau. Vous pouvez enduire les joints toriques d'un peu de graisse de plomberie pour faciliter l'assemblage.

### Installation dos à dos

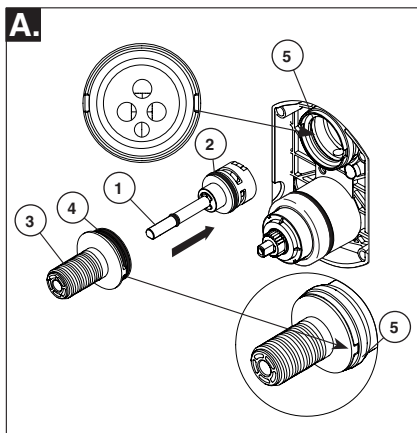


Dans le cas d'une installation dos à dos ou inversée (eau chaude à droite et eau froide à gauche) seulement : tournez la cartouche (1) de sorte que les mots « HOT COLD » (2) se trouvent en dessous.

Ajoutez du lubrifiant à base de silicone aux trois joints toriques montrés ci-dessus pour faciliter la pose de la cartouche dans le corps de robinetterie brute et sa dépose. Installez la cartouche en prenant soin d'introduire les ergots entièrement dans les rainures du corps de robinetterie brute (reportez-vous à l'étape B).

Glissez le joint torique (4) et l'écrou-chapeau (3) sur la cartouche et vissez-le sur le corps de robinetterie brute. Serrez-le à la main solidement

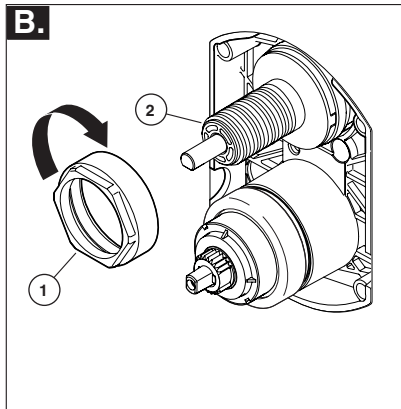
## 2 Installation de la cartouche de l'inverseur



### INSTALLATION DE LA CARTOUCHE DE L'INVERSEUR

Ajoutez du lubrifiant à base de silicone au joint torique (2) pour faciliter la pose du manchon de l'inverseur (3) et la cartouche de l'inverseur. Vous pouvez enduire les joints toriques (4) d'un peu de graisse de plomberie pour faciliter l'assemblage.

Installer la cartouche d'inverseur (1) en prenant soin de faire correspondre l'ergot de détrompage au bas de la cartouche avec le trou dans le corps de robinet brut. Glissez le manchon de l'inverseur (3) sur la tige de la cartouche en faisant correspondre les pattes du manchon de l'inverseur avec les rainures dans le corps de robinetterie brute (5).

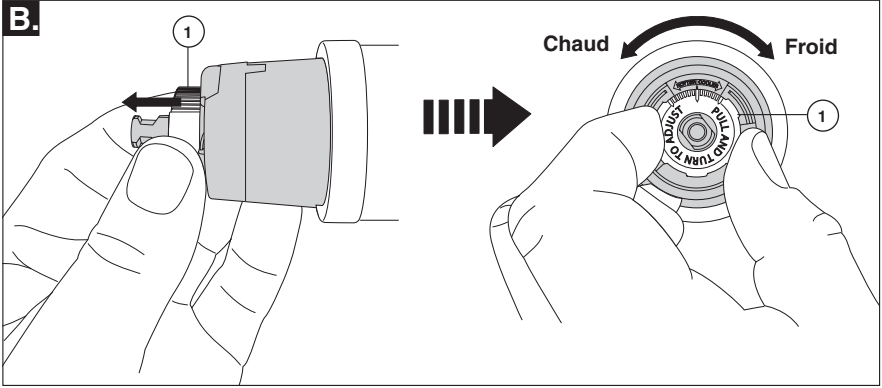


### Installation du chapeau

Glissez l'écrou-chapeau (1) sur le manchon de l'inverseur (2) et vissez-le sur le corps de robinetterie brute.

Serrez-le à la main solidement.

### Réglage de la butée de température maximale



#### IMPORTANT:

La butée de température maximale sert à limiter la quantité d'eau très chaude disponible. Ainsi, pour autant que la butée soit réglée correctement, la personne qui utilise la douche ou la baignoire ne sera pas ébouillantée si elle ou quelqu'un d'autre tourne la manette jusqu'à l'extrémité de la plage d'eau chaude par inadvertance. La première position est celle qui laisse passer le MOINS d'eau très chaude dans le mélange. Si la butée de température maximale est réglée à la première position, l'eau est aussi froide qu'elle peut l'être lorsque vous tournez la manette jusqu'à l'extrémité de la plage d'eau chaude. À mesure que vous déplacez la butée de température maximale dans le sens inverse à celui des aiguilles d'une montre, vous obtenez de plus en plus d'eau très chaude dans le mélange. La dernière position est celle qui laisse passer le plus d'eau très chaude dans le mélange et celle qui présente le plus grand risque d'ébouillantage si la personne qui utilise la douche ou la baignoire ou quelqu'un d'autre tourne la manette jusqu'à l'extrémité de la plage d'eau chaude par inadvertance.

**AVERTISSEMENT :** Dans certaines circonstances, le fait de régler la butée de température maximale à la position la plus chaude (position extrême dans le sens inverse à celui des aiguilles d'une montre) peut occasionner l'ébouillantage. Il est essentiel de régler la butée de température maximale de manière que l'eau qui s'écoule du robinet ne puisse ébouillanter l'utilisateur lorsque lui ou quelqu'un d'autre tourne la manette du robinet jusqu'à l'extrémité de la plage d'eau chaude.

- Selon la majorité des normes de l'industrie, la température maximale de l'eau s'écoulant du robinet ne doit pas dépasser 120 °F (49 °C) (le code de plomberie de votre région peut exiger une température inférieure à 120 °F).

- La butée de température maximale peut devoir être réglée de nouveau si la température de l'eau d'alimentation varie selon les saisons. À titre d'exemple, pendant l'hiver, la température de l'eau froide est plus basse que pendant l'été, ce qui peut influencer sur la température de l'eau à la sortie du robinet. La température de l'eau pour un bain ou une douche confortable se situe généralement entre 90 °F et 110 °F (32 °C - 43 °C).

- Laissez couler l'eau froide jusqu'à ce qu'elle soit aussi froide que possible et faites la même chose pour l'eau chaude.

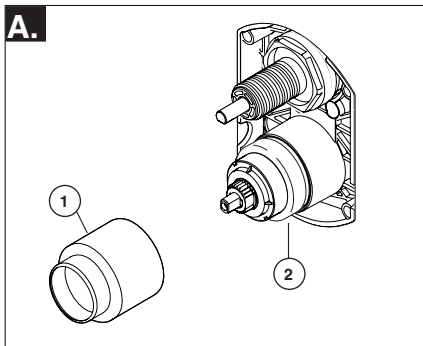
Placez la manette sur la tige (consultez l'étape 4C à la page 8) et tournez-la dans le sens inverse à celui des aiguilles d'une montre jusqu'à ce qu'elle s'arrête.

- Placez un thermomètre dans un gobelet en plastique et tenez le gobelet sous le jet d'eau. Si la température de l'eau est supérieure à 120 °F (49 °C), vous devez déplacer la butée de température maximale dans le sens des aiguilles d'une montre pour abaisser la température de l'eau qui s'écoule du robinet. La température doit être inférieure à 120 °F ou elle doit satisfaire aux exigences du code de plomberie de votre région.

- Pour régler la température de l'eau qui sort du robinet, tirez la butée de température maximale blanche (1) vers l'extérieur. Tournez la butée dans le sens des aiguilles d'une montre pour diminuer la température de l'eau à la sortie du robinet et dans le sens inverse à celui des aiguilles d'une montre pour accroître la température. Le changement de température par dent (cran) est de 4 °F à 16 °F (2 °C - 9 °C) selon la température de l'eau d'alimentation. Une fois que vous avez terminé, remplacez la butée dans sa position d'origine. **AVERTISSEMENT :** Ne démontez pas la butée de température maximale.

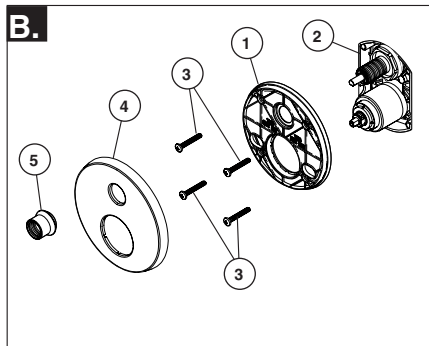
- ASSUREZ-VOUS QUE DE L'EAU FROIDE S'ÉCOULE DU ROBINET EN PREMIER. ASSUREZ-VOUS QUE LA TEMPÉRATURE DE L'EAU LA PLUS CHAUDE POSSIBLE QUI S'ÉCOULE DU ROBINET NE DÉPASSE PAS 120 °F (49 °C) OU LE MAXIMUM AUTORISÉ PAR LE CODE DE PLOMBERIE DE VOTRE RÉGION.

## 4 Installation des pièces de finition



### Installation du manchon de finition

Glissez le manchon de finition (1) sur le chapeau (2), la cartouche et le corps de robinetterie brute. Assurez-vous que le manchon est bien positionné sur l'avant de la cartouche.



### Installation de la plaque de finition

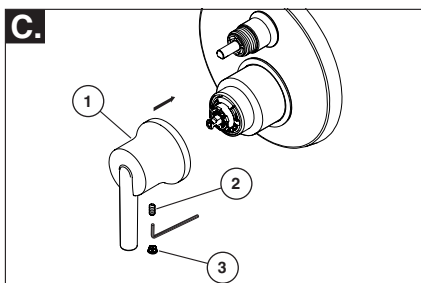
Installation dans un mur fini d'une épaisseur maximale de 1 1/8 po. Fixez la plaque arrière (1) au corps de robinetterie brute (2) au moyen des quatre vis (3) fournies.

**Note :** Assurez-vous que la face avant de la plaque arrière est orientée vers l'avant et que les repères sont visibles.

Glissez la plaque de finition (4) sur la soupape et les cartouches de l'inverseur, puis visser l'écrou de finition (5) fourni dans le manchon de l'inverseur.

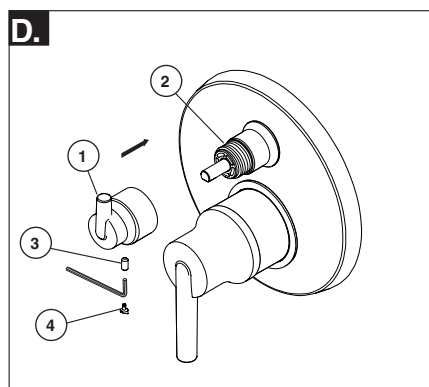
**Note :** Si vous faites l'installation dans un mur épais, commandez la trousse d'installation RP90542 pour un mur fini d'une épaisseur maximale de 2 1/8 po.

Sur les surfaces raboteuses ou inégales, vous devez appliquer du composé d'étanchéité autour de la plaque arrière (1) pour épaissir le joint. N'appliquez pas de composé d'étanchéité dans l'encoche d'égouttement au bas de la plaque arrière (1) ni autour de la plaque de finition (4).



### Installation de la manette de la soupape

Au moyen d'une clé Allen, fixez la manette de la soupape (1) avec une vis (2). En exerçant une pression, insérez le bouton (3) jusqu'à ce qu'il soit bien calé.



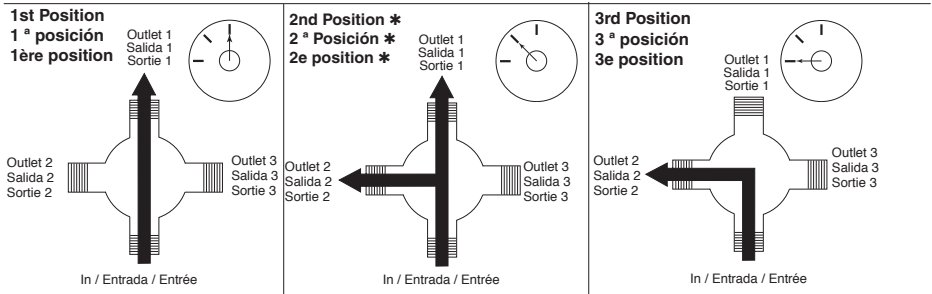
### Installation de la manette de l'inverseur

Glissez la manette de l'inverseur (1) sur le manchon de finition (2). Au moyen d'une clé Allen, insérez la vis de calage (3) dans la manette (1). En exerçant une pression, insérez le capuchon de la vis de calage (4) jusqu'à ce qu'il soit bien calé.



# Fiche de référence de la manette de l'inverseur

## Water Flow For 3 Function Diverter / Flujo de agua para Desviadores de 3 posiciones / Écoulement de l'eau pour les inverseurs à 3 positions

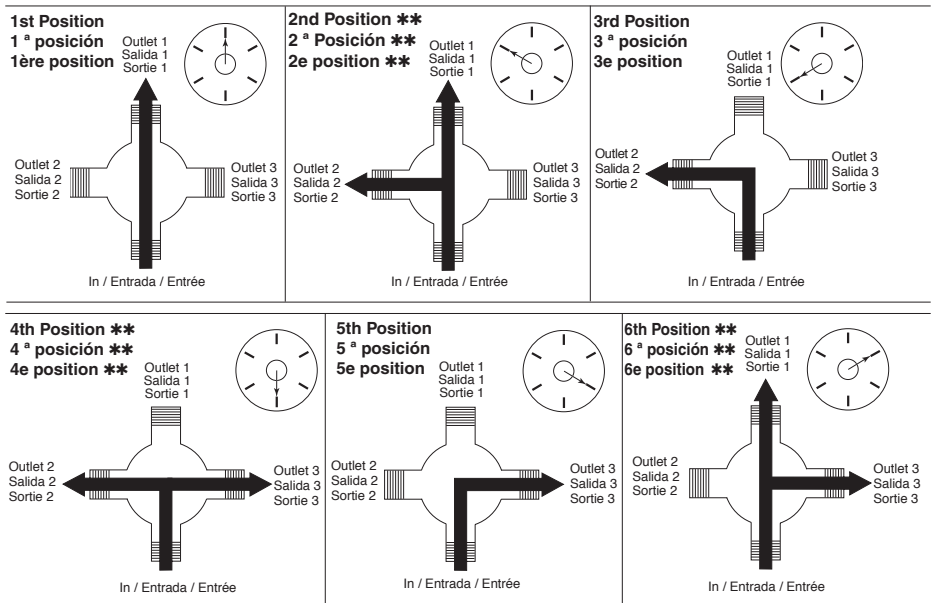


\* Shared positions do not exist in non-shared cartridges.

\* Los ajustes o posiciones compartidas no existen en los cartuchos no-compartidos.

\* Comme leur nom l'indique, les cartouches sans position partagée ne comportent aucune position partagée.

## Water Flow For 6 Function Diverter / Flujo de agua para Desviadores de 6 posiciones / Écoulement de l'eau pour les inverseurs à 6 positions



\*\* Shared positions do not exist in non-shared cartridges.

\*\* Los ajustes o posiciones compartidas no existen en los cartuchos no-compartidos.

\*\* Comme leur nom l'indique, les cartouches sans position partagée ne comportent aucune position partagée.

## Nettoyage et entretien

Ce produit doit être nettoyé avec soin. Bien que le fini soit extrêmement durable, il peut être abîmé par des agents de polissage puissants ou des nettoyants fortement abrasifs. Pour le nettoyer, il suffit de le frotter doucement avec un chiffon humide, puis de l'éponger avec une serviette douce.

## Maintenance

### **Fuite du robinet par la pomme de douche:**

**FERMEZ LES ROBINETS D'ALIMENTATION.**

Remplacez les sièges et les ressorts - trousse de réparation RP4993. Vérifiez l'état des joints toriques inférieurs et remplacez-les au besoin - pièce RP14414. Reportez-vous aux conseils utiles 1, 2 et 3.

### **Si la fuite persiste:**

**FERMEZ LES ROBINETS D'ALIMENTATION.**

Remplacez la cartouche RP46074. Reportez-vous aux conseils utiles 1, 2, 3, 4 et 5.

### **Incapacité de conserver la température de l'eau constante:**

Remplacez le logement par la pièce RP46074 ou suivez les conseils utiles 1, 2, 3, 4 et 5.

### **Conseils utiles:**

1. Avant d'enlever la cartouche de la soupape pour en faire l'entretien, prenez note de la position de la butée de température maximale sur le chapeau. La cartouche de la soupape doit toujours être replacée au même endroit. **PENSEZ SÉCURITÉ!** Après avoir terminé l'installation, ouvrez la soupape pour vous assurer que de L'EAU FROIDE S'ÉCOULE EN PREMIER.

2. Pour retirer la cartouche du corps, fermez les robinets d'alimentation et enlevez la manette ainsi que l'écrou-chapeau. Ne tentez pas d'extraire la cartouche en faisant levier avec un tournevis. Placez la manette sur la tige et tournez-la d'environ  $\frac{1}{4}$  de tour dans le sens inverse à celui des aiguilles d'une montre après avoir atteint la butée. Soulevez la cartouche pour la retirer du corps

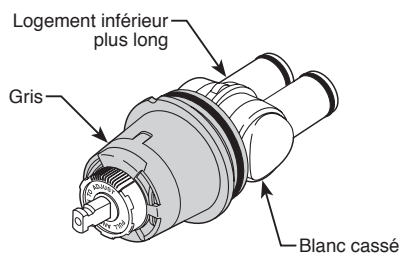
3. Pour enlever les sièges et les ressorts. Enlevez la cartouche de la soupape. Séparez le chapeau du logement en tournant le chapeau de 90° (degrés) dans le sens inverse à celui des aiguilles d'une montre. Séparez ensuite le chapeau du logement.

4. Si l'eau de votre région contient du calcaire, de la rouille, du sable ou d'autres contaminants, la soupape d'équilibrage de la pression doit être inspectée périodiquement. La fréquence de l'inspection dépendra du taux de contaminants dans l'eau. Pour inspecter la cartouche de la soupape, retirez-la et suivez les étapes mentionnées dans la Note 1 ci-dessus. Tournez la soupape en position de mélange complet et secouez vigoureusement la cartouche. Si vous entendez un cliquetis, l'unité est fonctionnelle et peut être réinstallée en suivant les instructions indiquées dans la Note 1. Si vous n'entendez pas de cliquetis, remplacez le logement par la pièce de rechange appropriée.

5. Poussez le disque jusqu'à ce qu'il soit bien calé. Consultez la page 6 pour obtenir plus de renseignements.

## Fiche de référence sommaire de la cartouche

T24



Commandez le kit RP46074 pour remplacer la cartouche.

**For illustrative purposes, the replacement parts for the T24 Classic Series are shown on the following pages. For replacement parts on all other collections, please refer to the parts diagrams available on [www.deltafaucet.com](http://www.deltafaucet.com).**

---

**Para los fines ilustrativos, las piezas de repuesto para la Serie Clásica T24 se muestran en las siguientes páginas. Para las piezas de repuesto sobre todas las demás colecciones, por favor refiérase a los diagramas de piezas disponibles en [www.deltafaucet.com](http://www.deltafaucet.com).**

---

**A des fins d'illustrations, les pièces de rechange pour les Séries Classiques T24 sont montrés sur la page suivante. Pour les pièces de rechange de toutes les autres collections, veuillez vous référer aux diagrammes des pièces sur [www.deltafaucet.com](http://www.deltafaucet.com).**

**RP90542**

Thick Wall Installation Kit

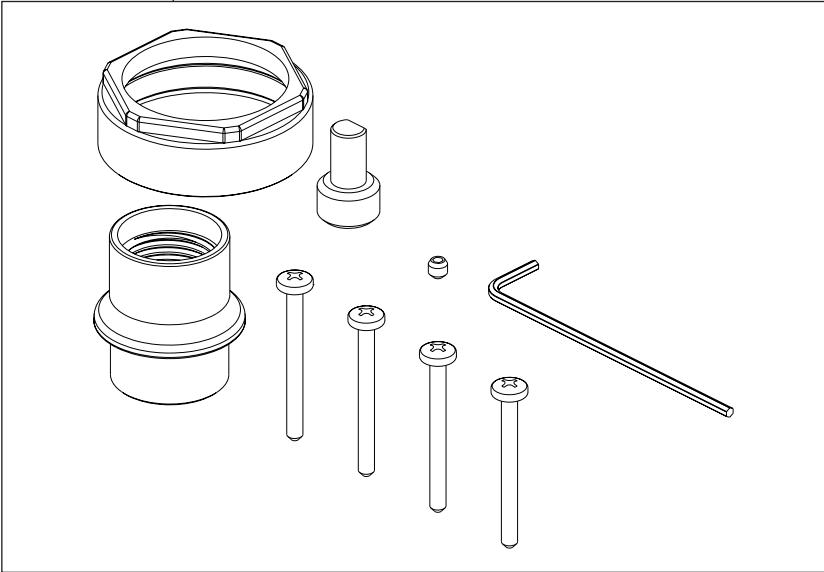
Juego de piezas para la instalación en paredes gruesas

Trousse d'installation pour mur épais

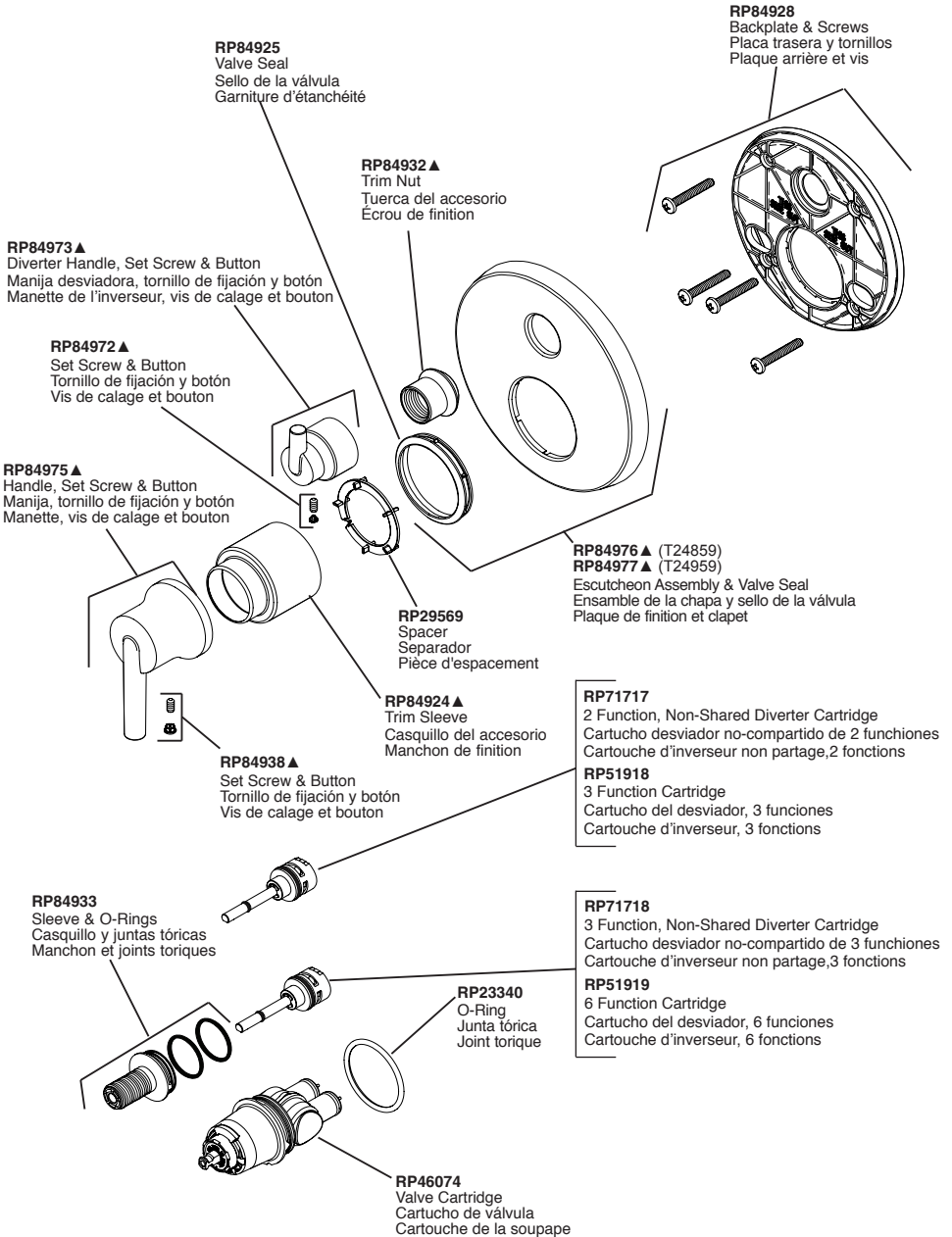
For finished wall thickness over 1 1/8" up to 2 1/8"  
(Order Separately)

Para paredes acabadas de un grosor mayor de 1 1/8"  
hasta 2 1/8" (ordene por separado)

Installation dans un mur fini d'une épaisseur de 1 1/8"  
po à 2 1/8 po (commandez séparément)

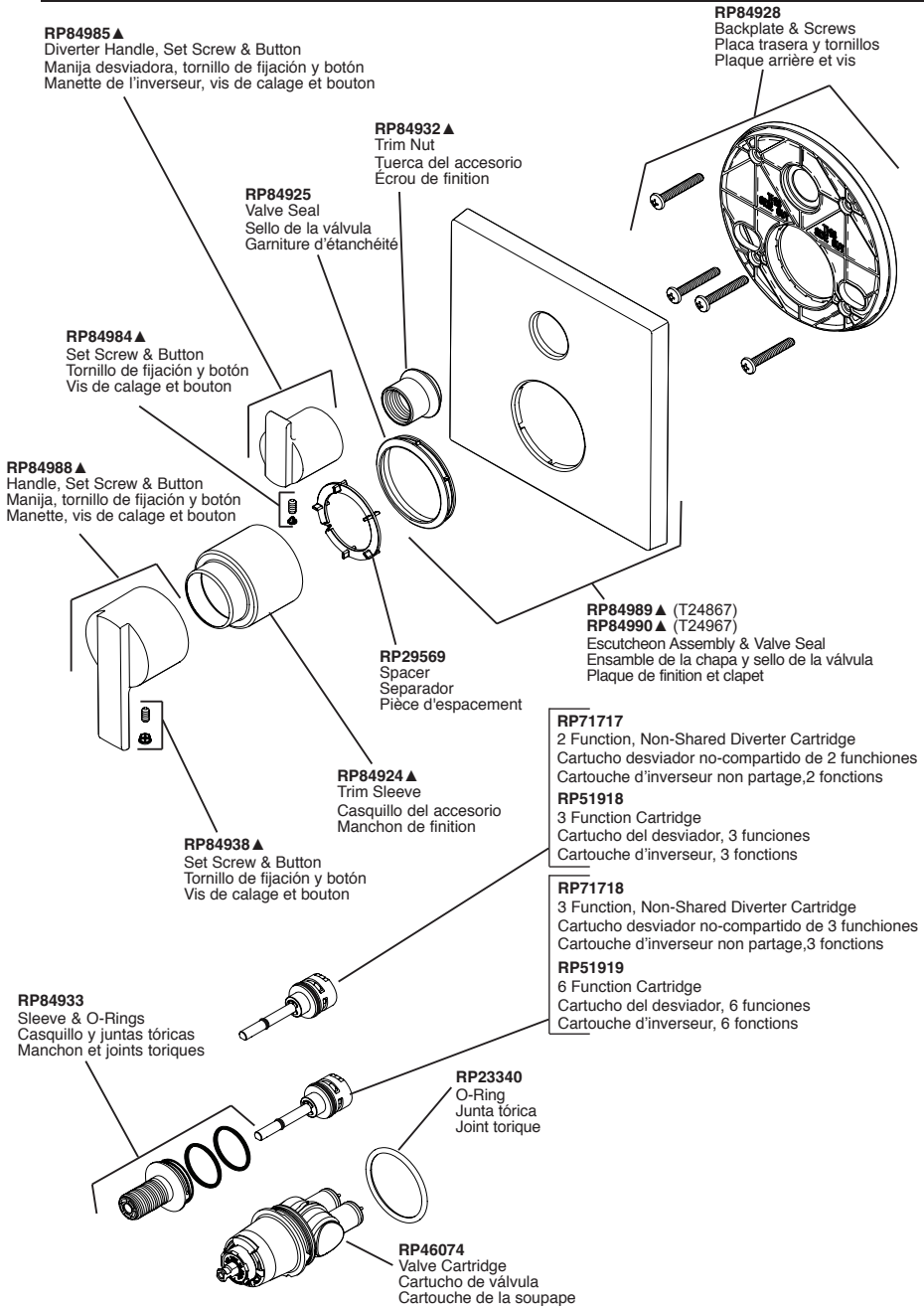


# T24859 & T24959 Models / Modelos / Modèles



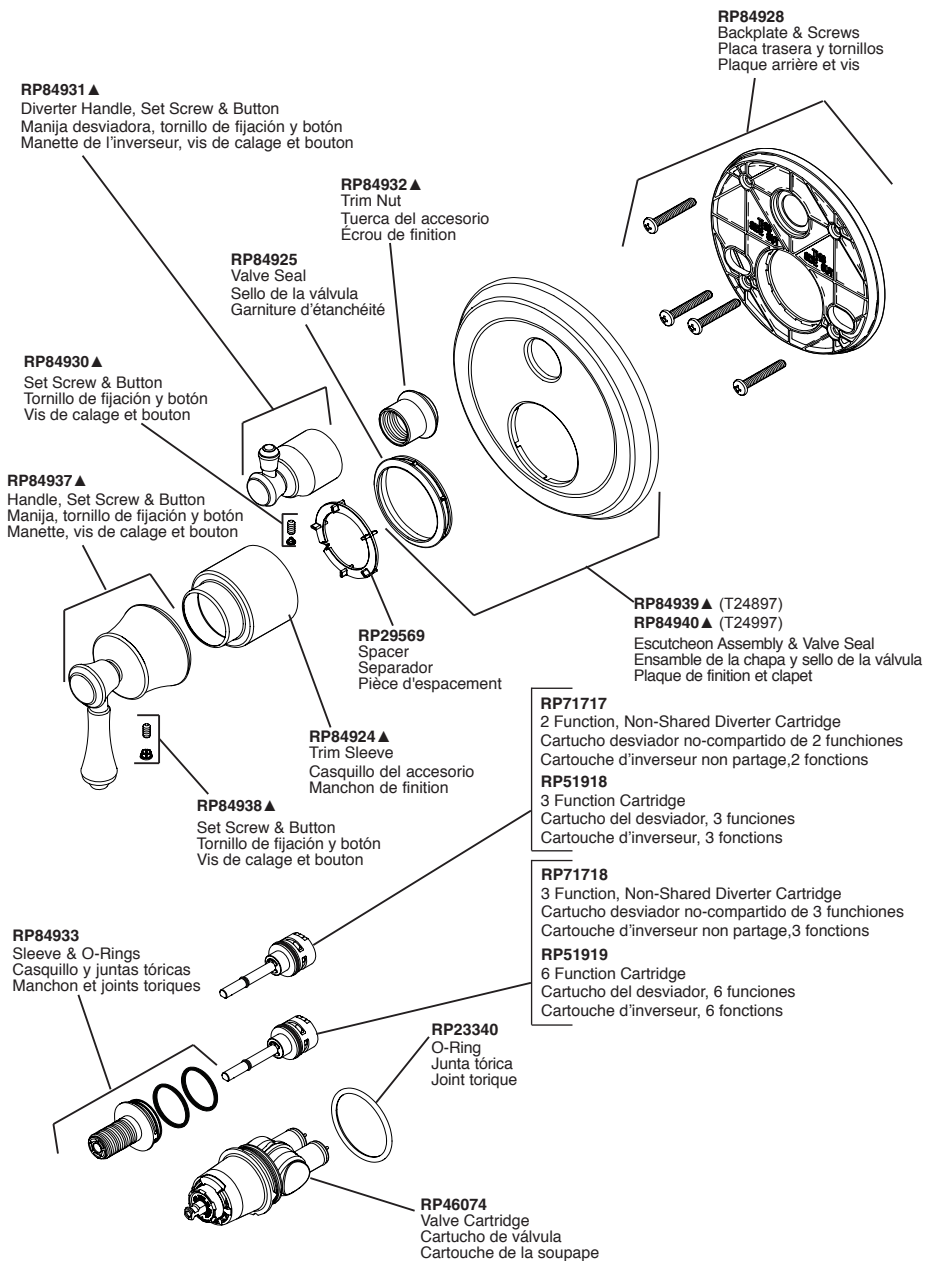
▲ Specify Finish/Especifique el Acabado/ Précisez le fini

# T24867 & T24967 Models / Modelos / Modèles



▲ Specify Finish/Especifique el Acabado/ Précisez le fini

# T24897 & T24997 Models / Modelos / Modèles



▲ Specify Finish/Especifique el Acabado/ Précisez le fini





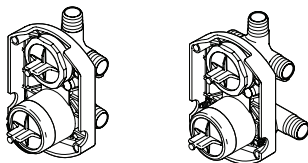
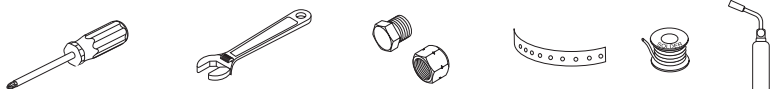


Delta Faucet Company  
Product Service  
55 E. 111th Street  
Indianapolis, IN 46280

**91557****MULTICHOICE® UNIVERSAL WITH INTERGRATED DIVERTER ROUGH****Multichoice® Universal con DESVIADOR INTERGRADO INTERNO****ROBINETTERIE BRUTE MULTICHOICE® UNIVERSELLE AVEC INVERSEUR INTÉGRÉ**

Model/Modelo/Modèle  
R22000 and R22000-WS  
Series/Series/Seria

Write purchased model number here.  
Escriba aquí el número del modelo comprado.  
Inscrivez le numéro de modèle ici.

**You may need/Usted puede necesitar/Articles dont vous pouvez avoir besoin:****For easy installation of your Delta® faucet you will need:**

- To **READ ALL** the instructions completely before beginning.
- To **READ ALL** warnings, care, and maintenance information.

**NOTICE TO INSTALLER: CAUTION!**—As the installer of this rough-in body, it is your responsibility to properly **INSTALL** this rough-in body per the instructions given. **YOU MUST inform the owner/user of this requirement by following the instructions. THIS ROUGH-IN BODY IS NOT RECOMMENDED FOR TUB INSTALLATION.** If you or the owner/user are unsure how to properly install this rough-in body, please refer to the instructions supplied and if still uncertain, call us at 1-800-345-DELTA. Leave this Instruction Sheet for the owner's/user's reference.

**Para instalación fácil de su llave Delta® usted necesitará:**

- **LEER TODAS** las instrucciones completamente antes de empezar
- **LEER TODOS** los avisos, cuidados, e información de mantenimiento.

**AVISO AL INSTALADOR: ¡CAUTELA!** Como instalador de este componente, es su responsabilidad **INSTALAR** correctamente esta pieza para las tuberías dentro de la pared de acuerdo con las instrucciones incluidas. **Debe informarle al propietario/usuario de este requisito siguiendo las instrucciones. ESTA PIEZA DE LAS TUBERÍAS NO SE RECOMIENDA PARA BAÑERAS.** Si usted o el dueño/consumidor no está seguro de cómo instalar la pieza de las tuberías internas, **por favor refiérase a las instrucciones suministradas y si aún tiene duda, llámenos al 1-800-345-DELTA.** Deje esta hoja de instrucciones para referencia del propietario/usuario

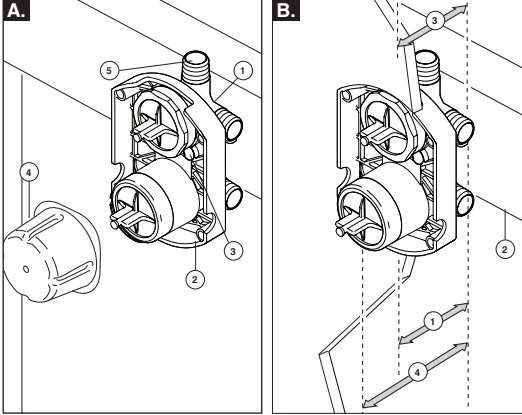
**Pour installer votre robinet Delta® facilement, vous devez:**

- **LIRE TOUTES** les instructions avant de débiter;
- **LIRE TOUS** les avertissements ainsi que toutes les instructions de nettoyage et d'entretien;

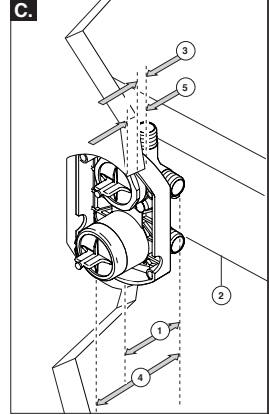
**AVIS À L'INSTALLATEUR : ATTENTION!**  
*En qualité d'installateur de ce corps de robinetterie brute, vous avez la responsabilité D'INSTALLER celui-ci correctement selon les instructions fournies. VOUS DEVEZ informer le propriétaire ou l'utilisateur de cette exigence en suivant les instructions. CE CORPS DE ROBINETTERIE BRUTE N'EST PAS RECOMMANDÉ POUR UNE BAIGNOIRE.*  
Si vous, le propriétaire ou l'utilisateur avez des doutes quant à la marche à suivre pour installer ce corps de robinetterie brute correctement, veuillez **consulter les instructions** fournies et, si vous avez toujours des doutes, veuillez nous appeler **1-800-345-DELTA.** Remettez ce feuillet d'instructions au propriétaire ou à l'utilisateur pour qu'il puisse le consulter au besoin.

# 1

## Standard Installation



## Thick Wall Installation



- A. SHUT OFF WATER SUPPLIES.** Consider the type and thickness of your finished wall before placing your stringer back plate. Install the body (1) so the surface of the finished wall is flush with the front of the rough-in box (2)  $\pm 1/4"$ . Mount body using the two stringer mounting holes (3) on the body.  
**Note: Remove cover (4) to access mounting holes.** Make sure the word "UP" and shower outlet port (5) are on top of the valve body when installing.

- B.** Distance (1) from the stringer (2) to the front of the rough-in box is  $2\ 9/16" \pm 1/4"$  (65 mm  $\pm 6$  mm).  
**Note: This is the same distance to the finished wall (3).** Distance (4) from the stringer (2) to the front of the bonnet is  $3\ 7/8"$  (99 mm). (For reference only)  
**Note: Gap around rough-in box not to exceed  $1/4"$  (6 mm). Use template on page 5.**

- C.** Thick wall installation for finished wall thickness (5) over  $1\ 1/8"$  up to  $2\ 1/8"$ . Distance (1) from the stringer (2) to the front of the rough-in box is  $2\ 9/16" \pm 1/4"$  (65 mm  $\pm 6$  mm). Distance (3) from the front of the rough-in box is  $1\ 1/8" \pm 1/8"$  in front of the framing studs. Distance (4) from the stringer (2) to the front of the bonnet is  $3\ 7/8"$  (99 mm). (For reference only)  
**Note: Gap around rough-in box not to exceed  $1/4"$  (6 mm). Use template on page 5.**

- A. CIERRE LOS SUMINISTROS DE AGUA.** Tenga en cuenta el tipo y el grosor de su pared acabada antes de colocar la chapa trasera del larguero. Instale el cuerpo (1) de modo que la superficie de la pared acabada esté al ras con la parte del frente de la caja del Componente de las tuberías dentro de la pared (2)  $\pm 1/4"$ . Instale el cuerpo o Componente usando los agujeros en los dos largueros de montaje (3) en éste. **Nota: retire la cubierta (4) para alcanzar a los agujeros de montaje.** Asegúrese de que la palabra "UP" y el puerto de salida de la regadera/ducha (5) están en la parte superior del cuerpo de la válvula durante la instalación.

- B.** La distancia (1) desde el larguero (2) a la parte delantera de la caja del Componente de las tuberías internas es  $2\ 9/16" \pm 1/4"$  (65 mm  $\pm 6$  mm). **Nota: Esta es la misma distancia a la pared acabada (3).** La distancia (4) desde el larguero (2) a la parte delantera del casquete es  $3\ 7/8"$  (99 mm). (Solo como referencia) **Nota: el espacio alrededor de la caja del componente de las tuberías internas no debe exceder  $1/4"$  (6 mm). Use la plantilla en la página 5.**

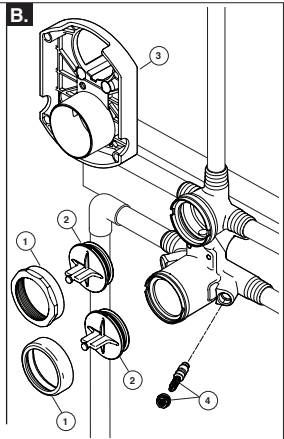
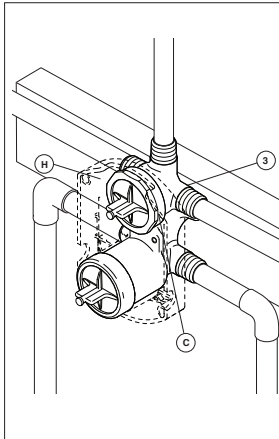
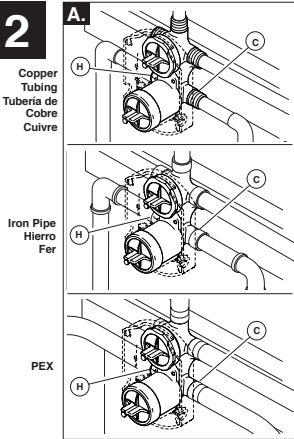
- B.** Retire los casquetes (1), la caja de las tuberías preliminares/detrás de la pared (3) y las tapas de prueba (2) antes de soldar. **Advertencia: evite soldar a temperaturas altas. Asegúrese que los toques de límite (4) se hayan retirado de los toques en la versión c/ toques antes de soldar. (No instale antes de soldar). Nota: asegúrese de volver a colocar la caja de la tubería preliminar (3) y los otros componentes antes de soldar.**

- A. INTERROMPEZ L'ALIMENTATION EN EAU.** Tenez compte du type du mur fini et de son épaisseur avant de poser la plaque de renfort transversale. Installez le corps (1) de sorte que la surface du mur fini soit à égalité avec l'avant du boîtier du corps de robinetterie brute (2)  $\pm 1/4$  po. Montez le corps en le fixant à la plaque de renfort transversale par les deux trous de montage (3) qui se trouvent sur celui-ci. **Note: Enlevez le couvercle (4) pour avoir accès aux trous de montage.** Assurez-vous que le mot « UP » et l'orifice de sortie pour la douche se trouvent dans la partie supérieure du corps de robinetterie.

- B.** La distance (1) entre la plaque de renfort transversale (2) et l'avant du boîtier du corps de robinetterie brute doit être de  $2\ 9/16$  po  $\pm 1/4$  po (65 mm  $\pm 6$  mm). **Note: La distance doit être le même par rapport au mur fini (3).** La distance (4) entre la plaque de renfort transversale (2) et l'avant du chapeau doit être de  $3\ 7/8$  po (99 mm). (A titre indicatif seulement) **Note: L'écart autour du boîtier du corps de robinetterie brute ne doit pas dépasser  $1/4$  po (6 mm). Utilisez le modèle à la page 5.**

- C.** Installation dans un mur fini d'une épaisseur (5) de  $1\ 1/8$  po à  $2\ 1/8$  po. L'écart (1) entre l'entretoise (2) et l'avant du boîtier du corps de robinetterie brute doit être de  $2\ 9/16$  po  $\pm 1/4$  po (65 mm  $\pm 6$  mm). L'écart (3) entre l'avant du boîtier du corps de robinetterie brute et les montants doit être de  $1\ 1/8$  po  $\pm 1/8$  po. L'écart (4) entre l'entretoise (2) et l'avant du chapeau doit être de  $3\ 7/8$  po (99 mm). (A titre indicatif seulement). **Note : L'écart autour du boîtier du corps de robinetterie brute ne doit pas dépasser  $1/4$  po (6 mm). Utilisez le modèle à la page 5.**

# 2



**A.** Connect valve body to water supplies using the proper fittings for your valve body type (copper tubing, iron pipe or Pex).  
**Note:** For PEX, be sure to use the right fitting for crimping and the right tool for cold expansion.  
 If any of the three outlet ports is to be unused, seal the port with a pipe plug.  
**Note:** On rough-in box (C) is the cold

inlet port and (H) is the hot inlet port. Plug right diverter port (3) (marked as 3 on rough-in box) if using a 3 function diverter.  
 If you are making a back to back or reverse installation (hot on right and cold on left) install the valve body as described, but the water supply lines will be reversed.  
**Note:** (C) is the hot inlet port and (H) is the cold inlet port.

**B.** Remove bonnets (1), rough-in box (3) and test caps (2) before soldering. **Warning: Avoid soldering at high temperature. Be sure stops (4) are removed from the w/stops version before soldering. (Do not install before soldering.)**  
**Note:** Be sure to replace rough-in box (3) and other components after soldering.

**A.** Conecte el cuerpo de la válvula de suministro de agua usando los accesorios apropiados para su tipo de cuerpo de válvula (tubería de cobre, tubería de hierro o de PEX).  
**Nota:** Para PEX, asegúrese de utilizar el ajuste correcto para prensar y la herramienta adecuada para la expansión en frío.  
 Si cualquiera de los tres puertos de salida no se va a usar, selle el puerto con un tapón de tubo.  
**Nota:** En la caja del componente de las tuberías internas se encuentra la entrada del agua fría (C) y el puerto de entrada de agua caliente (H) . Tape el puerto del desviador a

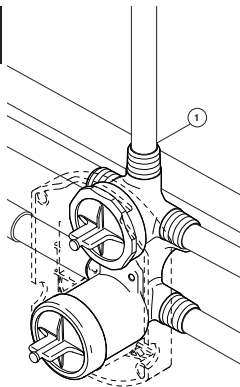
la derecha (3) (marcado como 3 en la caja de tuberías preliminares) si se utiliza un desviador de 3 funciones.  
 Si usted está haciendo una instalación de dorso con dorso o inversa a la instalación (caliente en la derecha y fría en la izquierda) instale el cuerpo de la válvula como se ha descrito, pero se requiere invertir las líneas de suministro de agua.  
**Nota:** (C) sería la entrada de agua caliente (H) sería la entrada del agua fría.

**B.** Retire los casquetes (1), la caja de las tuberías preliminares/ detrás de la pared (3) y las tapas de prueba (2) antes de soldar. **Advertencia: evite soldar a temperaturas altas. Asegúrese que los toques de límite (4) se hayan retirado de los toques en la versión c/ toques antes de soldar. (No instale antes de soldar.)**  
**Nota:** asegúrese de volver a colocar la caja de la tubería preliminar (3) y los otros componentes antes de soldar.

**A.** Raccordez le corps de robinetterie brute aux tuyaux d'alimentation en eau en utilisant des raccords adaptés au type du corps de robinetterie (cuivre, fer ou PEX).  
**note:** Si vous utilisez du PEX, assurez-vous d'utiliser le bon raccord à sertir et le bon outil de dilatation à froid. Si l'un des trois orifices de sortie est inutilisé, obturez-le avec un bouchon à tuyau.  
**Note:** Sur le boîtier du corps de robinetterie brute, (C) est l'orifice d'entrée d'eau froide et (H) est l'orifice d'entrée d'eau chaude. Obtenez l'orifice pour l'inverseur

(3) (identifié par le chiffre 3 sur le boîtier du corps de robinetterie brute) si vous utilisez un inverseur à 3 fonctions.  
 Si vous faites une installation dos-à-dos ou inversée (eau chaude à droite et au froide à gauche), installez le corps de robinetterie de la manière décrite, mais inversez la tuyauterie d'alimentation en eau.  
**Note:** (C) est l'orifice d'entrée d'eau chaude et (H) est l'orifice d'entrée d'eau froide.

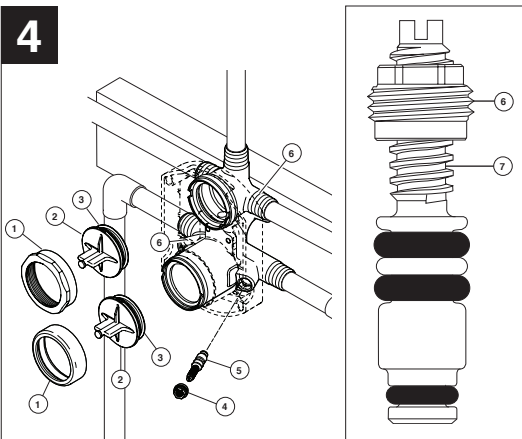
**B.** Enlevez les chapeaux (1), le boîtier du corps de robinetterie brute (3) et les capuchons d'essai (2) avant d'effectuer le brasage. **Mise en garde : Évitez le brasage à haute température. Sur la version munie de robinets d'arrêt (4), enlevez les robinets d'arrêt avant d'entreprendre le brasage. (N'installez pas les robinets d'arrêt avant le brasage.)** **Note :** N'oubliez pas de remettre le boîtier du corps de robinetterie (3) et les autres pièces en place après le brasage.

**3**

Connect top outlet port (1) to shower pipe with proper fittings.

Conecte la salida de arriba (1) a la tubería de la regadera con los accesorios apropiados.

À l'aide des records appropriés, raccordez l'orifice supérieur (1) au tuyau de la douche.

**4**

#### PRESSURE TESTING & FLUSHING THE INSTALLATION

Prior to testing, remove bonnets (1) and caps (2). Ensure O-rings (3) are properly installed. Reinstall cap and bonnet and tighten securely. Using the test plug provided, plug outlets with proper fittings. Check for leaks. After testing remove outlet plugs and flush system. Install stops (4 & 5) in the w/stops version and set to full open. **Note: Install stops in the w/stops version as follows: Thread nut (4) on stem (5) as shown. Then press stem and nut assembly into body (6) and tighten using a 3/8", 6 point, deep well socket. With a flat head screwdriver, adjust stem clockwise to close and counterclockwise to open.**

#### PRUEBA DE PRESIÓN Y LIMPIEZA DE LA INSTALACIÓN

Antes de probar, quite los casquetes (1) y las tapas (2). Asegure que las juntas tóricas (3) están instaladas correctamente. Vuelva a colocar la tapa y el casquete y apriete firmemente. Usando el tapón de prueba proporcionado, conecte salidas con los accesorios apropiados. Asegúrese que no hayan fugas o filtraciones de agua. Después de hacer las pruebas, quite los taponos de salida y deje correr el agua por el sistema. Instale los topes (4 y 5) en la versión que viene con topes y abra el agua completamente abierta. **Nota: Instale los topes en la versión que viene con topes de la siguiente manera: atornille la tuerca (4) en la espiga (5) como se muestra. Luego presione el ensamble de la espiga y la tuerca en el cuerpo (7) y apriete utilizando una llave de copa de 3/8" y 6 puntos. Con un destornillador de cabeza plana, ajuste la espiga hacia la derecha para cerrar y hacia la izquierda para abrir.**

#### ESSAI SOUS PRESSION ET RINÇAGE DE L'INSTALLATION

Avant d'effectuer la mise à l'épreuve, enlevez les chapeaux (1) et les capuchons (2). Assurez-vous que les joints toriques (3) sont bien installés. Reposez les capuchons ainsi que les chapeaux et serrez-les solidement. À l'aide des bouchons d'essai fournis, obturez les orifices de sortie. Cherchez à déceler des fuites. Une fois la mise à l'épreuve terminée, enlevez les bouchons des sorties et rincez le système. Sur la version munie de robinets d'arrêt, installez les robinets d'arrêt (4 et 5), puis ouvrez-les à fond. **Note : Sur une version munie de robinets d'arrêt, installez les robinets d'arrêt de la manière suivante : Vissez l'écrou (4) sur la tige (5) de la manière indiquée sur la figure. Enfoncez ensuite la tige avec l'écrou dans le corps (7) et serrez à l'aide d'une douille longue à 6 pans de 3/8 po. À l'aide d'un tournevis à extrémité plate, tournez la tige dans le sens horaire pour fermer le robinet et dans le sens antihoraire pour l'ouvrir.**

**Wall Finish Template / Terminado plantilla de pared / Gabarit pour le mur fini**

**Notice**  
Property damage and water leak possible. Follow instructions for finished opening.

**Aviso**  
Daños a la propiedad y el agua se filtran posible. Siga las instrucciones para la apertura terminado.

**Avis**  
Dommages à la propriété et de l'eau de fuite possible. Suivez les instructions pour l'ouverture terminée.

When finishing the shower walls, be sure to bring finished surface to within 1/4" of the rough-in box. For thick wall installations, the rough-in box or this template can be used to correctly locate and size the opening.

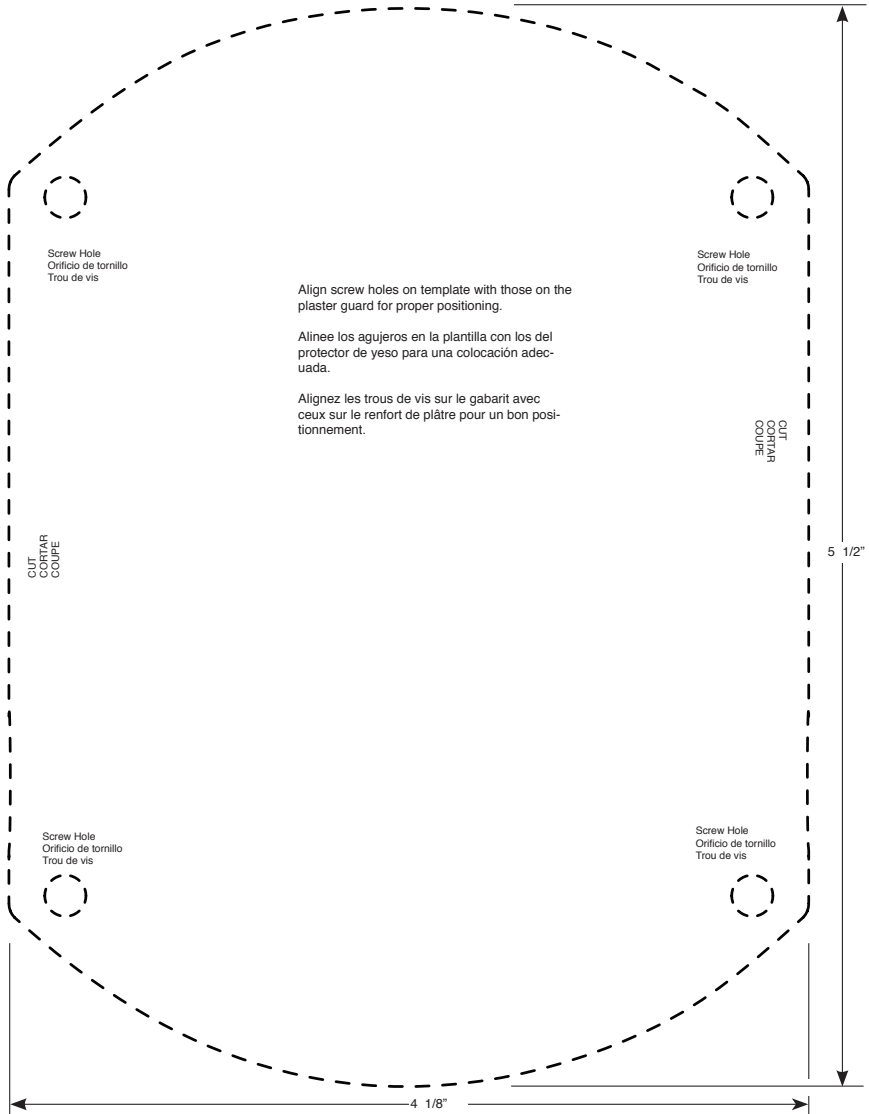
Al terminar las paredes de la ducha, asegúrese de traer superficie acabada dentro de 1/4" del protector de yeso. Para instalaciones en paredes gruesas, la cubierta del protector de yeso o de esta plantilla se puede utilizar para localizar correctamente y el tamaño de la abertura.

Lors de la finition des murs de la douche, n'oubliez pas d'apporter surface finie à l'intérieur 1/4 po de la garde de plâtre. Pour les installations à paroi épaisse, la couverture de garde de plâtre ou de ce modèle peuvent être utilisés pour localiser correctement et la taille de l'ouverture.

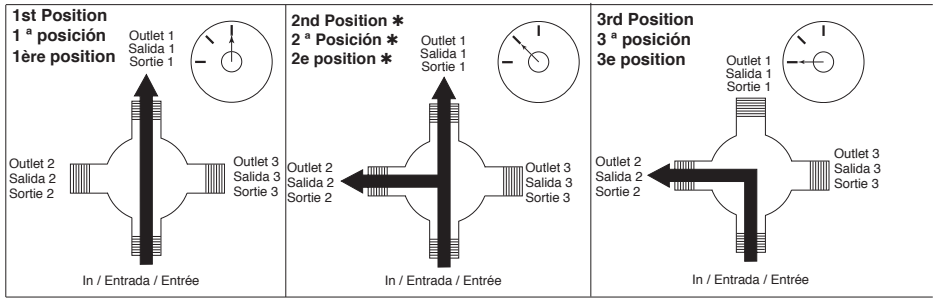
If using the rough-in, install screws to allow adjustment of the cover to the finished wall thickness.

Si se utiliza la cubierta protector de yeso, instale los tornillos que permitan el ajuste de la cubierta con el espesor de la pared terminada.

Si vous utilisez le couvercle de protection en plâtre, installer des vis qui permettraient l'ajustement de la couverture de l'épaisseur du mur fini.

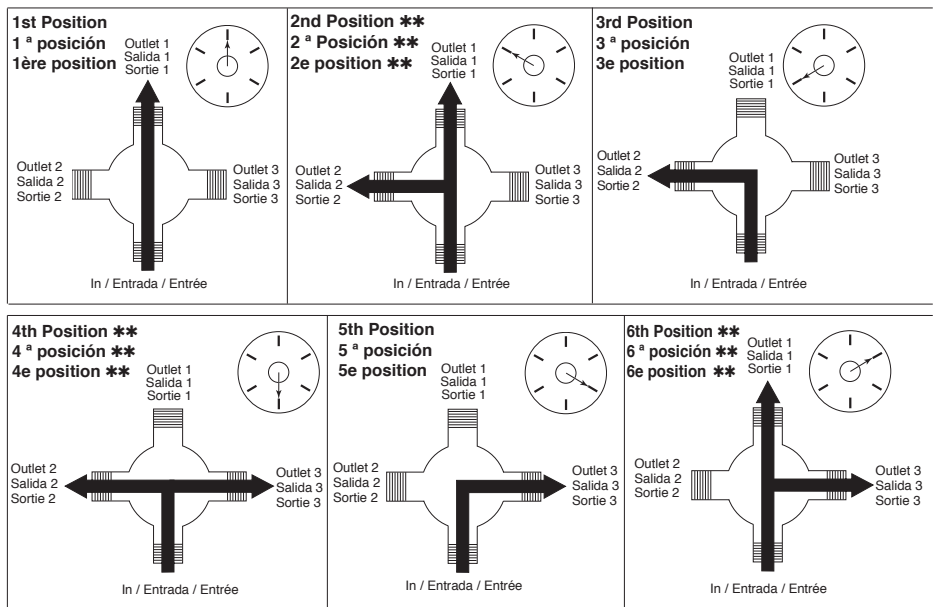


**Water Flow For 3 Function Diverter / Flujo de agua para Desviadores de 3 posiciones / Écoulement de l'eau pour les inverseurs à 3 positions**



- \* Shared positions do not exist in non-shared cartridges.
- \* Los ajustes o posiciones compartidas no existen en los cartuchos no-compartidos.
- \* Comme leur nom l'indique, les cartouches sans position partagée ne comportent aucune position partagée.

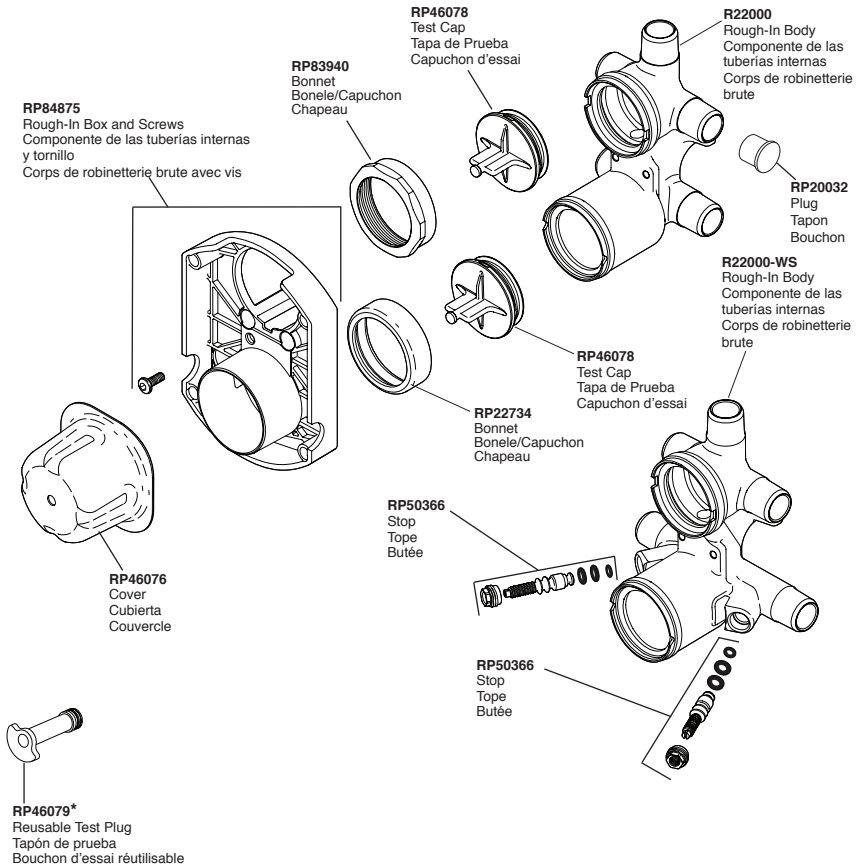
**Water Flow For 6 Function Diverter / Flujo de agua para Desviadores de 6 posiciones / Écoulement de l'eau pour les inverseurs à 6 positions**



- \*\* Shared positions do not exist in non-shared cartridges.
- \*\* Los ajustes o posiciones compartidas no existen en los cartuchos no-compartidos.
- \*\* Comme leur nom l'indique, les cartouches sans position partagée ne comportent aucune position partagée.



**Replacement Parts**  
**Piezas de Repuesto**  
**Pièces de rechange**



\*Used to plug one inlet side (Hot or Cold) to prevent cross flow when checking for leaks before the cartridge is installed. Insert into the inlet, place test cap and use the bonnet to secure in place.

\*For WS models close one of the inlet stops to prevent cross-flow.

\*Tapaban una entrada lateral (caliente o frío) para prevenir flujo cruzado cuando la comprobación para saber si hay escapes antes del cartucho está instalada. El relleno en la entrada, casquillo de la prueba del lugar y utiliza el capo para asegurar en lugar.

\*Branchaient une admission latérale (chaud ou froid) pour empêcher l'écoulement en travers quand la vérification les fuites avant le cartouche est installée. L'insertion dans l'admission, chapeau d'essai d'endroit et emploient le capot pour fixer en place.

## Limited Warranty on Delta® Faucets

### Parts and Finish

All parts (other than electronic parts and batteries) and finishes of this Delta® faucet are warranted to the original consumer purchaser to be free from defects in material and workmanship for as long as the original consumer purchaser owns the home in which the faucet was first installed or, for commercial users, for 5 years from the date of purchase.

### Electronic Parts and Batteries (if applicable)

Electronic parts (other than batteries), if any, of this Delta® faucet are warranted to the original consumer purchaser to be free from defects in material and workmanship for 5 years from the date of purchase or, for commercial users, for one year from the date of purchase. No warranty is provided on batteries.

Delta Faucet Company will replace, FREE OF CHARGE, during the applicable warranty period, any part or finish that proves defective in material and/or workmanship under normal installation, use and service. If repair or replacement is not practical, Delta Faucet Company may elect to refund the purchase price in exchange for the return of the product. **These are your exclusive remedies.**

Delta Faucet Company recommends using a professional plumber for all installation and repair. We also recommend that you use only genuine Delta® replacement parts.

Delta Faucet Company shall not be liable for any damage to the faucet resulting from misuse, abuse, neglect or improper or incorrectly performed installation, maintenance or repair, including failure to follow the applicable care and cleaning instructions.

Replacement parts may be obtained by calling the applicable number below or by writing to:

### In the United States and Mexico:

Delta Faucet Company  
Product Service  
55 E. 111th Street  
Indianapolis, IN 46280  
1-800-345-DELTA (3358)  
customerservice@deltafaucet.com

### In Canada:

Masco Canada Limited, Plumbing Group  
Technical Service Centre  
350 South Edgeware Road  
St. Thomas, Ontario, Canada N5P 4L1  
1-800-345-DELTA (3358)  
customerservice@mascocanada.com

Proof of purchase (original sales receipt) from the original purchaser must be made available to Delta Faucet Company for all warranty claims unless the purchaser has registered the product with Delta Faucet Company. This warranty applies only to Delta® faucets manufactured after January 1, 1995 and installed in the United States of America, Canada and Mexico.

DELTA FAUCET COMPANY SHALL NOT BE LIABLE FOR ANY SPECIAL, INCIDENTAL OR CONSEQUENTIAL DAMAGES (INCLUDING LABOR CHARGES) FOR BREACH OF ANY EXPRESS OR IMPLIED WARRANTY ON THE FAUCET. Some states/provinces do not allow the exclusion or limitation of special, incidental or consequential damages, so these limitations and exclusions may not apply to you. This warranty gives you special legal rights. You may also have other rights which vary from state/province to state/province.

This is Delta Faucet Company's exclusive written warranty and the warranty is not transferable.

If you have any questions or concerns regarding our warranty, please view our Warranty FAQs at [www.deltafaucet.com](http://www.deltafaucet.com), email us at [customerservice@deltafaucet.com](mailto:customerservice@deltafaucet.com) or call us at the applicable number above.

© 2016 Masco Corporation of Indiana

## Garantía Limitada de las Llaves de Agua (grifos) Delta®

### Piezas y acabado

Todas las piezas (excepto las piezas electrónicas y las pilas) y los acabados de esta llave de agua Delta® están garantizados al consumidor comprador original de estar libres de defectos en material y fabricación durante el tiempo que el comprador original posea la vivienda en la que la llave de agua fue originalmente instalada o, para los consumidores comerciales, durante 5 años a partir de la fecha de compra.

### Componentes electrónicos y pilas (si aplicable)

Todas las piezas (salvo las pilas), si hay, de esta llave de agua Delta® están garantizadas al consumidor comprador original de estar libres de defectos en materiales y fabricación durante 5 años a partir de la fecha de compra, para los usuarios comerciales, por un año a partir de la fecha de compra. No se garantizan las pilas.

Delta Faucet Company reemplazará, SIN CARGO, durante el período de garantía aplicable, cualquier pieza o acabado que pruebe tener defectos de material y/o fabricación bajo la instalación, uso y servicio normal. Si la reparación o su reemplazo no es práctico, Delta Faucet Company tiene la opción de reembolsarle su dinero por la cantidad del precio de compra a cambio de la devolución del producto. **Estos son sus únicos recursos.**

Delta Faucet Company recomienda que use los servicios de un plomero profesional para todas las instalaciones y reparaciones. También le recomendamos que utilice sólo las piezas de repuesto originales de Delta®.

Delta Faucet Company no será responsable por cualquier daño a la llave de agua que resulte del mal uso, abuso, negligencia o mala instalación o mantenimiento o reparación incorrecta, incluyendo el no seguir los cuidados aplicables y las instrucciones de limpieza.

Las piezas de repuesto se pueden obtener llamando al número correspondiente más abajo, o escribiendo a:

### En los Estados Unidos y México:

Delta Faucet Company  
Product Service  
55 E. 111th Street  
Indianapolis, IN 46280  
1 800 345 DELTA (3358)  
customerservice@deltafaucet.com

### En Canadá:

Masco Canada Limited, Plumbing Group  
Technical Service Centre  
350 South Edgeware Road  
St. Thomas, Ontario, Canada N5P 4L1  
1 800 345 DELTA (3358)  
customerservice@mascocanada.com

La prueba de compra (recibo original) del comprador original debe ser disponible a Delta Faucet Company para todos los reclamos a menos que el comprador haya registrado el producto con Delta Faucet Company. Esta garantía le aplica sólo a las llaves de agua de Delta® fabricadas después del 1 de enero 1995 e instaladas en los Estados Unidos de América, Canada y México.

DELTA FAUCET COMPANY NO SE HACE RESPONSABLE POR CUALQUIER DAÑO ESPECIAL, INCIDENTAL O CONSECUENTE (INCLUYENDO LOS GASTOS DE MANO DE OBRA) POR EL INCUMPLIMIENTO DE CUALQUIER GARANTÍA EXPRESA O IMPLÍCITA DE LA LLAVE DE AGUA. Algunos estados/provincias no permiten la exclusión o limitación de daños especiales, incidentales o consecuentes, por lo que estas limitaciones y exclusiones pueden no aplicarle a usted. Esta garantía le otorga derechos legales. Usted también puede tener otros derechos que varían de estado/provincia a estado/provincia.

Esta es la garantía exclusiva por escrito de Delta Faucet Company y la garantía no es transferible.

Si usted tiene alguna pregunta o inquietud acerca de nuestra garantía, por favor, vea nuestra sección de preguntas frecuentes FAQ sobre la garantía en [www.deltafaucet.com](http://www.deltafaucet.com), también puede enviarnos un correo electrónico a [customerservice@deltafaucet.com](mailto:customerservice@deltafaucet.com) o llámanos al número que le correspondía anteriormente incluido.

© 2016 Masco Corporation of Indiana

## Garantie limitée des robinets Delta®

### Pièces et finis

Toutes les pièces (à l'exception des composants électroniques et des piles) et tous les finis de ce robinet Delta® sont protégés contre les détériorités du matériau et les vices de fabrication par une garantie qui est consentie au premier acheteur et qui demeure valide tant que celui-ci demeure propriétaire de la maison dans laquelle le robinet a été installé. Dans le cas d'une utilisation commerciale, la garantie est de 5 ans à compter de la date d'achat.

### Composants électroniques et piles (le cas échéant)

Si ce robinet Delta® comporte des composants électroniques, ces composants (à l'exception des piles) sont protégés contre les détériorités du matériau et les vices de fabrication par une garantie consentie au premier acheteur qui est d'une durée de 5 ans à compter de la date d'achat. Dans le cas d'une utilisation commerciale, la garantie est d'un an à compter de la date d'achat. Aucune garantie ne couvre les piles.

Delta Faucet Company remplacera, GRATUITEMENT, pendant la période de garantie applicable, toute pièce ou tout fini qui présentera une détériorité du matériau et/ou un vice de fabrication sur autant que le robinet ait été installé, utilisé et entretenu normalement. Si c'est impossible de réparer ou de remplacer le robinet, Delta Faucet Company pourra décider de rembourser le prix d'achat du produit pour autant que celui-ci lui soit retourné. **Il s'agit de vos seuls recours.**

Delta Faucet Company recommande de confier l'installation et la réparation à un plombier professionnel. Nous vous recommandons également d'utiliser uniquement des pièces de rechange authentiques Delta®.

Delta Faucet Company se dégage de toute responsabilité à l'égard des dommages causés au robinet en raison d'un mauvais usage, d'un usage abusif, de la négligence ou de l'utilisation d'une méthode d'installation, de maintenance ou de réparation incorrecte ou inadéquate, y compris les dommages résultant du non-respect des instructions de nettoyage et d'entretien applicables.

Pour obtenir des pièces de rechange, veuillez appeler au numéro applicable ci-dessous ou écrire à l'adresse applicable ci-dessous.

### Aux États-Unis et au Mexique :

Delta Faucet Company  
Product Service  
55 E. 111th Street  
Indianapolis, IN 46280  
1-800-345-DELTA (3358)  
customerservice@deltafaucet.com

### Au Canada:

Masco Canada Limited, Plumbing Group  
Technical Service Centre  
350 South Edgeware Road  
St. Thomas, Ontario, Canada N5P 4L1  
1-800-345-DELTA (3358)  
customerservice@mascocanada.com

La preuve d'achat (reçu original) du premier acheteur doit être présentée à Delta Faucet Company pour toutes les demandes en vertu de la garantie, sauf si le produit a été enregistré auprès de Delta Faucet Company. La présente garantie s'applique uniquement aux robinets Delta® fabriqués après le 1er janvier 1995 et installés aux États-Unis d'Amérique, au Canada et au Mexique.

DELTA FAUCET COMPANY SE DÉGAGE DE TOUTE RESPONSABILITÉ À L'ÉGARD DES DOMMAGES PARTICULIERS, CONSÉQUENTS OU INDIRECTS (Y COMPRIS LES FRAIS DE MAIN-D'ŒUVRE) QUI POURRAIENT RÉSULTER DE LA VIOLATION D'UNE GARANTIE IMPLICITE OU EXPLICITE QUELCONQUE SUR LE ROBINET. Dans les États ou les provinces où il est interdit de limiter ou d'exclure la responsabilité à l'égard des dommages particuliers, consécutifs ou indirects, les limites et les exclusions susmentionnées ne s'appliquent pas. La présente garantie vous donne des droits précis qui peuvent varier selon l'État ou la province où vous résidez.

La présente garantie écrite est la garantie exclusive offerte par Delta Faucet Company et elle n'est pas transférable.

Si vous avez des questions ou des préoccupations en ce qui concerne notre garantie, veuillez consulter la page Warranty FAQs à [www.deltafaucet.com](http://www.deltafaucet.com), faire parvenir un courriel à [customerservice@deltafaucet.com](mailto:customerservice@deltafaucet.com) ou nous appeler au numéro applicable.

© 2016 Division de Masco Indiana

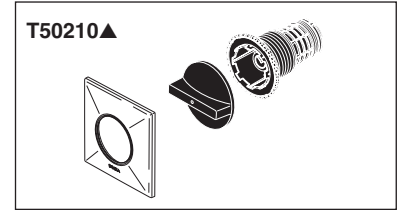
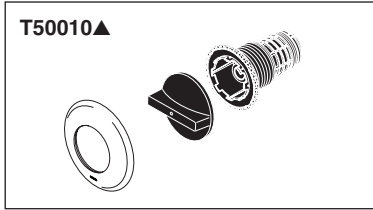


78403

HYDRACHOICE™ BODY SPRAY TRIM
ACCESORIO DEL ROCIADOR PARA EL CUERPO HYDRACHOICE™
FINITION DU JET CORPOREL HYDRACHOICE™

Models/Modelos/Modèles
T50010▲ & T50210▲
Series/Series/Seria

▲ Specify Finish / Especificque el Acabado / Précisez le fini



Limited Warranty on Delta® Faucets

Parts and Finish

All parts (other than electronic parts and batteries) and finishes of this Delta® faucet are warranted to the original consumer purchaser to be free from defects in material and workmanship for as long as the original consumer purchaser owns the home in which the faucet was first installed or, for commercial users, for 5 years from the date of purchase.

Electronic Parts and Batteries (if applicable)

Electronic parts (other than batteries), if any, of this Delta® faucet are warranted to the original consumer purchaser to be free from defects in material and workmanship for 5 years from the date of purchase or, for commercial users, for one year from the date of purchase. No warranty is provided on batteries.

Delta Faucet Company will replace, FREE OF CHARGE, during the applicable warranty period, any part or finish that proves defective in material and/or workmanship under normal installation, use and service. If repair or replacement is not practical, Delta Faucet Company may elect to refund the purchase price in exchange for the return of the product. These are your exclusive remedies.

Delta Faucet Company recommends using a professional plumber for all installation and repair. We also recommend that you use only genuine Delta® replacement parts.

Delta Faucet Company shall not be liable for any damage to the faucet resulting from misuse, abuse, neglect or improper or incorrectly performed installation, maintenance or repair, including failure to follow the applicable care and cleaning instructions.

Replacement parts may be obtained by calling the applicable number below or by writing to:

In the United States and Mexico:

Delta Faucet Company
Product Service
55 E. 111th Street
Indianapolis, IN 46280
1-800-345-DELTA (3358)
customerservice@deltafaucet.com

In Canada:

Masco Canada Limited, Plumbing Group
Technical Service Centre
350 South Edgeware Road
St. Thomas, Ontario, Canada N5P 4L1
1-800-345-DELTA (3358)
customerservice@mascocanada.com

Proof of purchase (original sales receipt) from the original purchaser must be made available to Delta Faucet Company for all warranty claims unless the purchaser has registered the product with Delta Faucet Company. This warranty applies only to Delta® faucets manufactured after January 1, 1995 and installed in the United States of America, Canada and Mexico.

DELTA FAUCET COMPANY SHALL NOT BE LIABLE FOR ANY SPECIAL, INCIDENTAL OR CONSEQUENTIAL DAMAGES (INCLUDING LABOR CHARGES) FOR BREACH OF ANY EXPRESS OR IMPLIED WARRANTY ON THE FAUCET. Some states/provinces do not allow the exclusion or limitation of special, incidental or consequential damages, so these limitations and exclusions may not apply to you. This warranty gives you special legal rights. You may also have other rights which vary from state/province to state/province.

This is Delta Faucet Company's exclusive written warranty and the warranty is not transferable.

If you have any questions or concerns regarding our warranty, please view our Warranty FAQs at www.deltafaucet.com, email us at customerservice@deltafaucet.com or call us at the applicable number above.

Garantía Limitada de las Llaves de Agua (grifos) Delta®

Piezas y acabado

Todas las piezas (excepto las piezas electrónicas y las pilas) y los acabados de esta llave de agua Delta® están garantizados al consumidor comprador original de estar libres de defectos en material y fabricación durante el tiempo que el comprador original posea la vivienda en la que la llave de agua fue originalmente instalada o, para los consumidores comerciales, durante 5 años a partir de la fecha de compra.

Componentes electrónicos y pilas (si aplicable)

Todas las piezas (salvo las pilas), si hay, de esta llave de agua Delta® están garantizadas al consumidor comprador original de estar libres de defectos en materiales y fabricación durante 5 años a partir de la fecha de compra o, para los usuarios comerciales, por un año a partir de la fecha de compra. No se garantizan las pilas.

Delta Faucet Company reemplazará, SIN CARGO, durante el período de garantía aplicable, cualquier pieza o acabado que pruebe tener defectos de material y/o fabricación bajo la instalación, uso y servicio normal. Si la reparación o su reemplazo no es práctico, Delta Faucet Company tiene la opción de reembolsarle su dinero por la cantidad del precio de compra a cambio de la devolución del producto. Estos son sus únicos recursos.

Delta Faucet Company recomienda que use los servicios de un plomero profesional para todas las instalaciones y reparaciones. También le recomendamos que utilice sólo las piezas de repuesto originales de Delta®.

Delta Faucet Company no será responsable por cualquier daño a la llave de agua que resulte del mal uso, abuso, negligencia o mala instalación o mantenimiento o reparación incorrecta, incluyendo el no seguir los cuidados aplicables y las instrucciones de limpieza.

Las piezas de repuesto se pueden obtener llamando al número correspondiente más abajo, o escribiendo a:

En los Estados Unidos y México:

Delta Faucet Company
Product Service
55 E. 111th Street
Indianapolis, IN 46280
1 800 345 DELTA (3358)
customerservice@deltafaucet.com

En Canadá:

Masco Canada Limited, Plumbing Group
Technical Service Centre
350 South Edgeware Road
St. Thomas, Ontario, Canada N5P 4L1
1 800 345 DELTA (3358)
customerservice@mascocanada.com

La prueba de compra (recibo original) del comprador original debe ser disponible a Delta Faucet Company para todos los reclamos a menos que el comprador haya registrado el producto con Delta Faucet Company. Esta garantía le aplica sólo a las llaves de agua de Delta® fabricadas después del 1 de enero 1995 e instaladas en los Estados Unidos de América, Canadá y México.

DELTA FAUCET COMPANY NO SE HACE RESPONSABLE POR CUALQUIER DAÑO ESPECIAL, INCIDENTAL O CONSECUENTE (INCLUYENDO LOS GASTOS DE MANO DE OBRA) POR EL INCUMPLIMIENTO DE CUALQUIER GARANTÍA EXPRESA O IMPLICITA DE LA LLAVE DE AGUA. Algunos estados/provincias no permiten la exclusión o limitación de daños especiales, incidentales o consecuentes, por lo que estas limitaciones y exclusiones pueden no aplicarle a usted. Esta garantía le otorga derechos legales. Usted también puede tener otros derechos que varían de estado/provincia a estado/provincia.

Esta es la garantía exclusiva por escrito de Delta Faucet Company y la garantía no es transferible.

Si usted tiene alguna pregunta o inquietud acerca de nuestra garantía, por favor, vea nuestra sección de preguntas frecuentes FAQ sobre la garantía en www.deltafaucet.com, también puede enviarnos un correo electrónico a customerservice@deltafaucet.com o llámenos al número que le corresponda anteriormente incluido.

Garantie limitée des robinets Delta®

Pièces et finis

Toutes les pièces (à l'exception des composants électroniques et des piles) et tous les finis de ce robinet Delta® sont protégés contre les défauts du matériau et les vices de fabrication par une garantie qui est consentie au premier acheteur et qui demeure valide tant que celui-ci demeure propriétaire de la maison dans laquelle le robinet a été installé. Dans le cas d'une utilisation commerciale, la garantie est de 5 ans à compter de la date d'achat.

Composants électroniques et piles (le cas échéant)

Si ce robinet Delta® comporte des composants électroniques, ces composants (à l'exception des piles) sont protégés contre les défauts du matériau et les vices de fabrication par une garantie consentie au premier acheteur qui est d'une durée de 5 ans à compter de la date d'achat. Dans le cas d'une utilisation commerciale, la garantie est d'un an à compter de la date d'achat. Aucune garantie ne couvre les piles.

Delta Faucet Company remplacera, GRATUITEMENT, pendant la période de garantie applicable, toute pièce ou tout fini qui présentera une défectuosité du matériau et/ou un vice de fabrication pour autant que le robinet ait été installé, utilisé et entretenu normalement. S'il est impossible de réparer ou de remplacer le robinet, Delta Faucet Company pourra décider de rembourser le prix d'achat du produit pour autant que celui-ci lui soit retourné. Il s'agit de vos seuls recours.

Delta Faucet Company recommande de confier l'installation et la réparation à un plombier professionnel. Nous vous recommandons également d'utiliser uniquement des pièces de rechange authentiques Delta®.

Delta Faucet Company se dégage de toute responsabilité à l'égard des dommages causés au robinet en raison d'un mauvais usage, d'un usage abusif, de la négligence ou de l'utilisation d'une méthode d'installation, de maintenance ou de réparation incorrecte ou inadéquate, y compris les dommages résultant du non-respect des instructions de nettoyage et d'entretien applicables.

Pour obtenir des pièces de rechange, veuillez appeler au numéro applicable ci-dessous ou écrire à l'adresse applicable ci-dessous.

Aux États-Unis et au Mexique :

Delta Faucet Company
Product Service
55 E. 111th Street
Indianapolis, IN 46280
1-800-345-DELTA (3358)
customerservice@deltafaucet.com

Au Canada:

Masco Canada Limited, Plumbing Group
Technical Service Centre
350 South Edgeware Road
St. Thomas, Ontario, Canada N5P 4L1
1-800-345-DELTA (3358)
customerservice@mascocanada.com

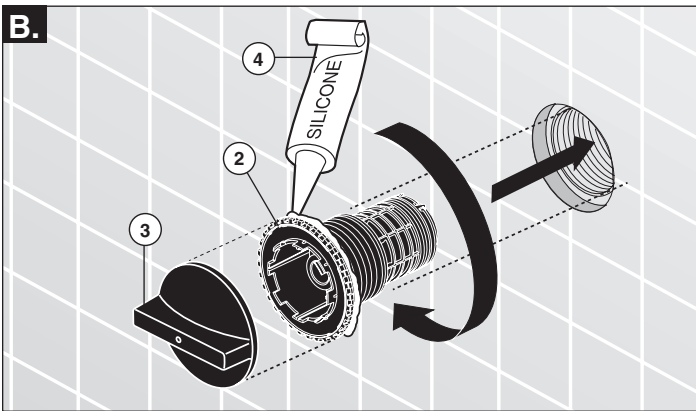
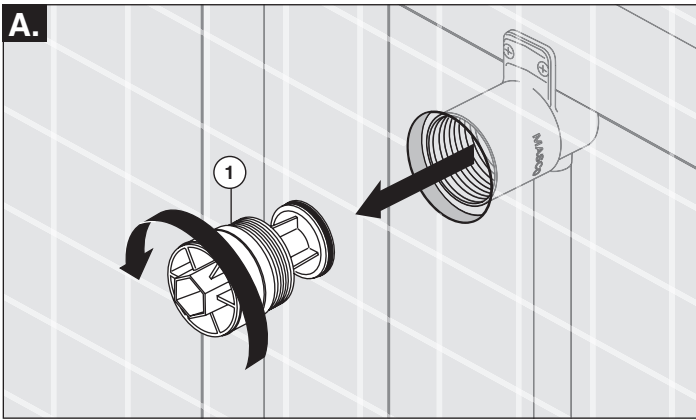
La preuve d'achat (reçu original) du premier acheteur doit être présentée à Delta Faucet Company pour toutes les demandes en vertu de la garantie, sauf si le produit a été enregistré auprès de Delta Faucet Company. La présente garantie s'applique uniquement aux robinets Delta® fabriqués après le 1er janvier 1995 et installés aux États-Unis d'Amérique, au Canada et au Mexique.

DELTA FAUCET COMPANY SE DÉGAGE DE TOUTE RESPONSABILITÉ À L'ÉGARD DES DOMMAGES PARTICULIERS, CONSÉCUTIFS OU INDIRECTS (Y COMPRIS LES FRAIS DE MAIN-D'OEUVRE) QUI POURRAIENT RÉSULTER DE LA VIOLATION D'UNE GARANTIE IMPLICITE OU EXPLICITE QUELCONQUE SUR LE ROBINET. Dans les États ou les provinces où il est interdit de limiter ou d'exclure la responsabilité à l'égard des dommages particuliers, consécutifs ou indirects, les limites et les exclusions susmentionnées ne s'appliquent pas. La présente garantie vous donne des droits précis qui peuvent varier selon l'État ou la province où vous résidez.

La présente garantie écrite est la garantie exclusive offerte par Delta Faucet Company et elle n'est pas transférable.

Si vous avez des questions ou des préoccupations en ce qui concerne notre garantie, veuillez consulter la page Warranty FAQs à www.deltafaucet.com, faire parvenir un courriel à customerservice@deltafaucet.com ou nous appeler au numéro applicable.

## Installing the Trim Module / Instalación del módulo del accesorio / Installation du module de finition



**A.** Remove the test cap/plaster guard (1) from the previously installed rough body and store for future use.

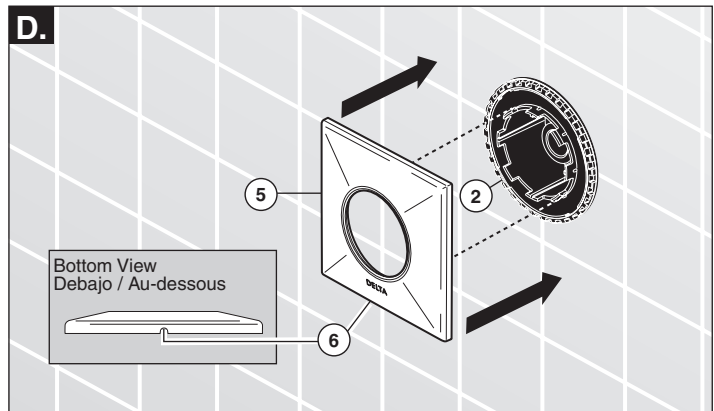
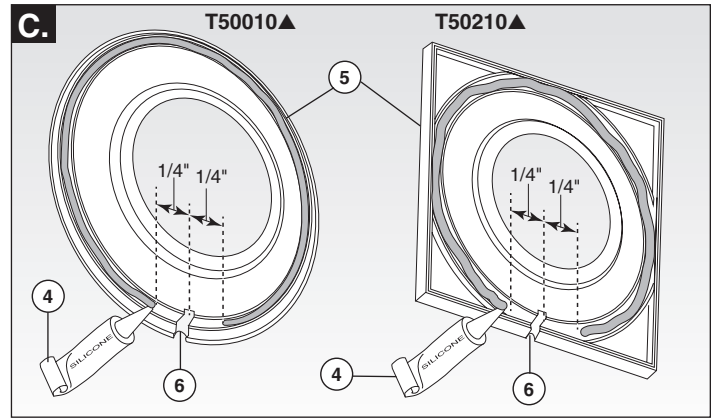
**B.** Apply the provided 100% plumbing silicone / adhesive (4) to back outer edge of trim module (2). Insert trim module (2) and tighten using tool (3). Tighten the trim module until the back surface of the module touches the finished wall. Do not over tighten, finger tight is adequate. Wipe excess silicone clean. Store tool (3) for future use.

**A.** Retire la tapa de prueba/el protector de yeso (1) de la unidad interna/detrás de la pared, previamente instalada y guarde para su uso futuro.

**B.** Aplique el proporcionado 100% de plomería silicona / adhesivo (4) hacer una copia de borde exterior del módulo de ajuste (2). Inserte el módulo de corte (2) y apriete con la herramienta (3). Apretar el módulo de ajuste hasta que la superficie posterior del módulo toca la pared acabada. No apriete, apretado el dedo es suficiente. Limpie el exceso de limpieza de silicona. Guarde la herramienta (3) para su uso futuro.

**A.** Enlevez le capuchon d'essai et le protecteur (1) du corps du jet installé précédemment et conservez-les.

**B.** Appliquez la plomberie fourni 100% silicone / adhésif (4) vers l'arrière le bord extérieur du module de garniture (2). Insérez le module de garniture jusqu'à ce que la surface arrière du module touche le mur fini. Ne pas trop serrer, serrer à la main est suffisant. Essuyer de silicone excès. Conservez l'outil en vue d'une utilisation ultérieure et rangez-le.



**C.** Apply the provided 100% plumbing silicone / adhesive (4) to the indicated flat surface of escutcheon (5) as shown. Take care not to cover the weep hole (6) with silicone/adhesive by leaving a 1/4" gap on either side of the hole.

**D.** Align escutcheon (5) with the retention tabs on trim module (2) making sure the weep hole (6) is positioned facing down as shown. **Note: Depending on your trim model the escutcheon may be round or square.** To ensure proper alignment for appearance, locator notches are provided along the entire circumference of the trim module outer flange. Once properly aligned, press firmly until the escutcheon snaps into place.

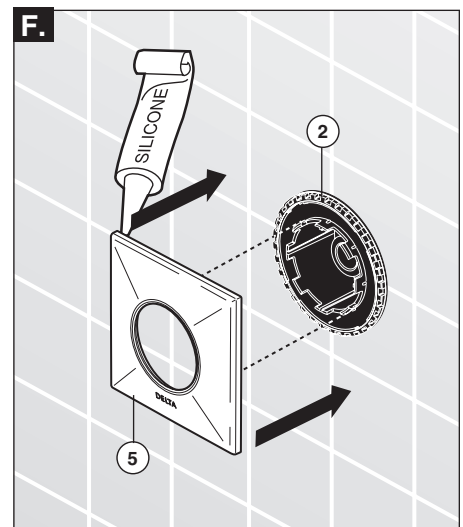
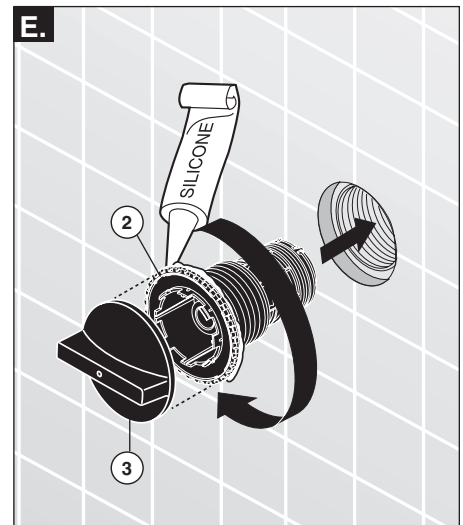
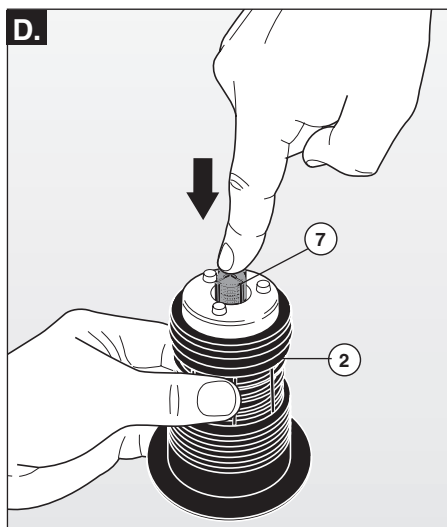
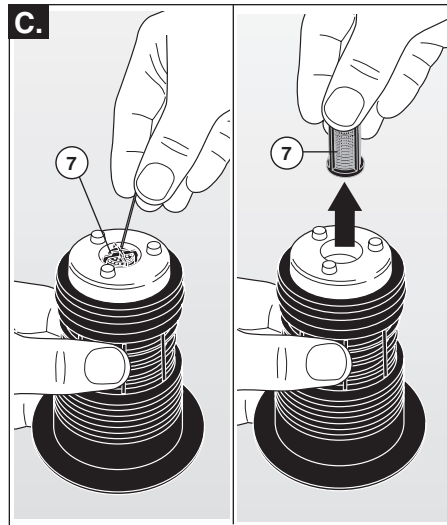
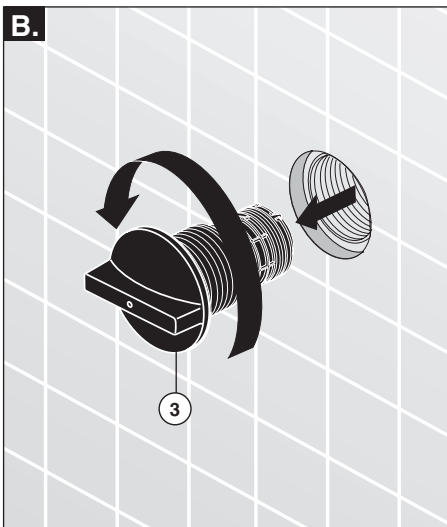
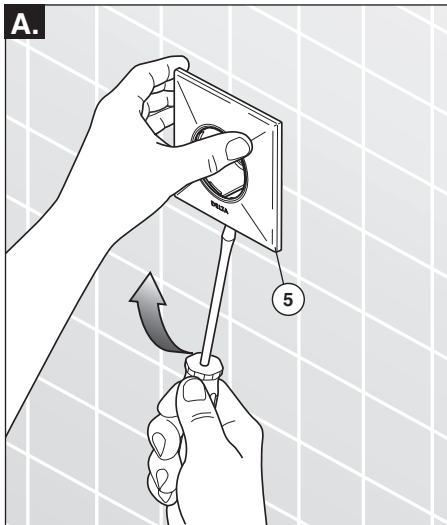
**C.** Aplicar el 100% de plomería de silicona / adhesivo proporcionado (4) a la superficie plana indicado de rosetón (5) como se muestra. Tenga cuidado de no tapar el orificio de drenaje (6) con silicona / adhesivo dejando una "brecha de 1/4 a cada lado del agujero.

**D.** Alinee la chapa de cubierta (5) con las lengüetas de retención del módulo del accesorio (2), asegurándose que el orificio de drenaje (6) está hacia abajo como se muestra. **Nota: Según el modelo del accesorio la chapa puede ser redonda o cuadrada.** Para asegurar una alineación correcta a la vista, las muescas para su ubicación se incluyen a lo largo de toda la circunferencia de la brida exterior del módulo del accesorio. Una vez que está correctamente alineado, presione firmemente hasta que la chapa encaje en su lugar.

**C.** Appliquez la plomberie fourni 100% silicone / adhésif (4) à la surface plane indiqué de rosace (5), comme illustré. Prenez soin de ne pas couvrir le trou d'évacuation (6) avec du silicone / adhésif en laissant un "écart de 1/4 de chaque côté du trou.

**D.** Faites correspondre la plaque de finition (5) avec les pattes de retenue du module de finition (2) et assurez-vous que le trou d'évacuation (6) se trouve au bas de celle-ci comme le montre la figure. **Note : Selon le modèle de la finition, la plaque de finition pourra être ronde ou carrée.** Pour garantir un positionnement procurant une belle apparence, il y a des doigts de détrompage sur toute la circonférence de la collerette extérieure du module de finition. Une fois que le module de finition est bien positionné, appuyez fermement sur la plaque de finition pour la caler.

**Cleaning the Trim Module Filter / Limpieza del filtro del módulo / Nettoyage du filtre du module**



**A.** Gently pry off the escutcheon starting at the weep hole located on the bottom of escutcheon (5). **Note: Take care not to damage the escutcheon finish.**

**B.** Remove the trim module using tool (3).

**C.** Carefully remove filter screen (7) and flush with water until clear of debris.

**D.** Place the cleaned filter screen (7) back into the trim module (2).

**E.** Place the trim module (2) back into the rough body and tighten with tool (3). **Note: Reapply plumbing silicone/adhesive per instruction "B" on page 2.**

**F.** Place escutcheon (5) back onto trim module (2) ensuring it snaps into place and is properly oriented. **Note: Reapply plumbing silicone/adhesive per instruction "C" on page 2.**

**A.** Palanquee suavemente el chapetón comenzando en el lado del orificio de drenaje situado en la parte inferior de cubierta (5). **Nota: Tenga cuidado de no dañar el acabado de la chapa.**

**B.** Retire el módulo que sujeta la chapa con la llave de tuercas (3).

**C.** Retire con cuidado el filtro de rejilla (7) y enjuague con agua hasta que esté limpia de residuos.

**D.** Coloque el filtro de rejilla limpio (7) de nuevo en el módulo del accesorio o chapa de cubierta (2).

**E.** Coloque el módulo del accesorio (2) de nuevo en la unidad interna/detrás de la pared y apriete con la herramienta de tuercas (3). **Nota: Vuelva a aplicar la plomería de silicona / adhesivo por instrucción "B" en la página 2.**

**F.** Coloque la chapa (5) de nuevo en el módulo del accesorio (2) asegurando que encaje en su lugar y esté orientado correctamente. **Nota: Vuelva a aplicar la plomería de silicona / adhesivo por instrucción "C" en la página 2.**

**A.** Écartez la plaque de finition doucement à partir du trou d'évacuation situé au bas de la plaque de finition (5). **Note : Prenez garde d'abîmer le fini de la plaque de finition.**

**B.** Enlevez le module de finition à l'aide de la clé (3).

**C.** Retirez le filtre métallique (7) doucement et rincez-le avec de l'eau pour enlever les corps étrangers.

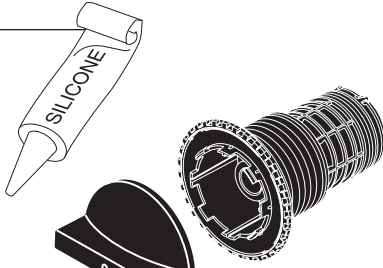
**D.** Remettez le filtre métallique (7) en place dans le module de finition (2).

**E.** Remettez le module (2) en place sur le corps du jet et fixez-le en serrant avec l'outil (3). **Note: Renouveler plomberie silicone / adhésif par instruction "B" à la page 2.**

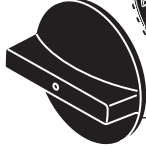
**F.** Remettez la plaque de finition (5) en place sur le module de finition (2) en prenant soin de bien la positionner et de la caler. **Note: Renouveler plomberie silicone / adhésif par instruction "C" à la page 2.**

## T50010▲

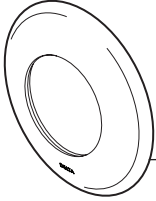
**RP78987**  
Silicone  
Silicona  
Siliconé



**RP79269**  
Tool  
Herramienta  
Outil



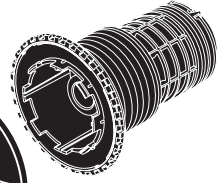
**RP77546▲**  
Escutcheon  
Chapa de cubierta  
Plaque de finition



▲ Specify Finish / Especificque el Acabado / Précisez le fini

## T50210▲

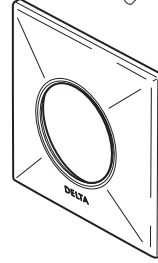
**RP78987**  
Silicone  
Silicona  
Siliconé



**RP79269**  
Tool  
Herramienta  
Outil



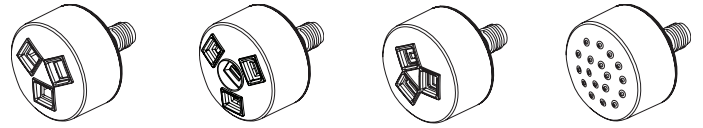
**RP77548▲**  
Escutcheon  
Chapa de cubierta  
Plaque de finition



▲ Specify Finish / Especificque el Acabado / Précisez le fini

**BODY SPRAY  
ROCIADOR PARA EL CUERPO  
BUSE DE PULVÉRISATION**

**78285**



SH84100▲  
SH5003▲

SH84101▲  
SH5005▲

SH84102▲  
SH5002▲

SH84103▲  
SH5000▲

Models/Modelos/Modèles  
SH84100▲, SH84101▲, SH84102▲, SH84103▲,  
SH5000▲, SH5002▲, SH5003▲, SH5005▲,  
Series/Series/Seria

▲ Specify Finish / Especifique el Acabado / Précisez le fini

**Limited Warranty on Delta® Faucets**

**Parts and Finish**

All parts (other than electronic parts and batteries) and finishes of this faucet are warranted to the original consumer purchaser to be free from defects in material and workmanship for as long as the original consumer purchaser owns the home in which the faucet was first installed or, for commercial users, for 5 years from the date of purchase.

**Electronic Parts and Batteries (if applicable)**

Electronic parts (other than batteries), if any, of this faucet are warranted to the original consumer purchaser to be free from defects in material and workmanship for 5 years from the date of purchase or, for commercial users, for one year from the date of purchase. No warranty is provided on batteries.

Delta Faucet Company will replace, FREE OF CHARGE, during the applicable warranty period, any part or finish that proves defective in material and/or workmanship under normal installation, use and service. If repair or replacement is not practical, Delta Faucet Company may elect to refund the purchase price in exchange for the return of the product. **These are your exclusive remedies.**

Delta Faucet Company recommends using a professional plumber for all installation and repair. We also recommend that you use only genuine Delta® replacement parts.

Delta Faucet Company shall not be liable for any damage to the faucet resulting from misuse, abuse, neglect or improper or incorrectly performed installation, maintenance or repair, including failure to follow the applicable care and cleaning instructions.

Replacement parts may be obtained by calling the applicable number below or by writing to:

**In the United States and Mexico:**

Delta Faucet Company  
Product Service  
55 E. 111th Street  
Indianapolis, IN 46280  
1-800-345-DELTA (3358)  
customerservice@deltafaucet.com

**In Canada:**

Masco Canada Limited, Plumbing Group  
Technical Service Centre  
350 South Edgeware Road  
St. Thomas, Ontario, Canada N5P 4L1  
1-800-345-DELTA (3358)  
customerservice@mascocanada.com

Proof of purchase (original sales receipt) from the original purchaser must be made available to Delta Faucet Company for all warranty claims unless the purchaser has registered the product with Delta Faucet Company. This warranty applies only to faucets manufactured after January 1, 1995 and installed in the United States of America, Canada and Mexico.

DELTA FAUCET COMPANY SHALL NOT BE LIABLE FOR ANY SPECIAL, INCIDENTAL OR CONSEQUENTIAL DAMAGES (INCLUDING LABOR CHARGES) FOR BREACH OF ANY EXPRESS OR IMPLIED WARRANTY ON THE FAUCET. Some states/provinces do not allow the exclusion or limitation of special, incidental or consequential damages, so these limitations and exclusions may not apply to you. This warranty gives you special legal rights. You may also have other rights which vary from state/province to state/province.

This is Delta Faucet Company's exclusive written warranty and the warranty is not transferable.

If you have any questions or concerns regarding our warranty, please view our Warranty FAQs at [www.deltafaucet.com](http://www.deltafaucet.com), email us at [customerservice@deltafaucet.com](mailto:customerservice@deltafaucet.com) or call us at the applicable number above.

© 2014 Masco Corporation of Indiana

**Garantía Limitada de las Llaves de Agua (grifos) Delta®**

**Piezas y acabado**

Todas las piezas (excepto las piezas electrónicas y las pilas) y los acabados de esta llave de agua están garantizados al consumidor comprador original de estar libres de defectos en material y fabricación durante el tiempo que el comprador original posea la vivienda en la que la llave de agua fue originalmente instalada o, para los consumidores comerciales, durante 5 años a partir de la fecha de compra.

**Componentes electrónicos y pilas (si aplicable)**

Todas las piezas (salvo las pilas), si hay, de esta llave de agua están garantizadas al consumidor comprador original de estar libres de defectos en materiales y fabricación durante 5 años a partir de la fecha de compra o, para los usuarios comerciales, por un año a partir de la fecha de compra. No se garantizan las pilas.

Delta Faucet Company reemplazará, SIN CARGO, durante el período de garantía aplicable, cualquier pieza o acabado que pruebe tener defectos de material y/o fabricación bajo la instalación, uso y servicio normal. Si la reparación o su reemplazo no es práctico, Delta Faucet Company tiene la opción de reembolsarle su dinero por la cantidad del precio de compra a cambio de la devolución del producto. **Estos son sus únicos recursos.**

Delta Faucet Company recomienda que use los servicios de un plomero profesional para todas las instalaciones y reparaciones. También le recomendamos que utilice sólo las piezas de repuesto originales de Delta®.

Delta Faucet Company no será responsable por cualquier daño a la llave de agua que resulte del mal uso, abuso, negligencia o mala instalación o mantenimiento o reparación incorrecta, incluyendo el no seguir los cuidados aplicables y las instrucciones de limpieza.

Las piezas de repuesto se pueden obtener llamando al número correspondiente más abajo, o escribiendo a:

**En los Estados Unidos y México:**

Delta Faucet Company  
Product Service  
55 E. 111th Street  
Indianapolis, IN 46280  
1 800 345 DELTA (3358)  
customerservice@deltafaucet.com

**En Canadá:**

Masco Canada Limited, Plumbing Group  
Technical Service Centre  
350 South Edgeware Road  
St. Thomas, Ontario, Canada N5P 4L1  
1 800 345 DELTA (3358)  
customerservice@mascocanada.com

La prueba de compra (recibo original) del comprador original debe ser disponible a Delta Faucet Company para todos los reclamos a menos que el comprador haya registrado el producto con Delta Faucet Company. Esta garantía le aplica sólo a las llaves de agua de fabricadas después del 1 de enero 1995 e instaladas en los Estados Unidos de América, Canadá y México.

DELTA FAUCET COMPANY NO SE HACE RESPONSABLE POR CUALQUIER DAÑO ESPECIAL, INCIDENTAL O CONSECUENTE (INCLUYENDO LOS GASTOS DE MANO DE OBRA) POR EL INCUMPLIMIENTO DE CUALQUIER GARANTÍA EXPRESA O IMPLÍCITA DE LA LLAVE DE AGUA. Algunos estados/provincias no permiten la exclusión o limitación de daños especiales, incidentales o consecuentes, por lo que estas limitaciones y exclusiones pueden no aplicarle a usted. Esta garantía le otorga derechos legales. Usted también puede tener otros derechos que varían de estado/provincia a estado/provincia.

Esta es la garantía exclusiva por escrito de Delta Faucet Company y la garantía no es transferible.

Si usted tiene alguna pregunta o inquietud acerca de nuestra garantía, por favor, vea nuestra sección de preguntas frecuentes FAQ sobre la garantía en [www.deltafaucet.com](http://www.deltafaucet.com), también puede enviarnos un correo electrónico a [customerservice@deltafaucet.com](mailto:customerservice@deltafaucet.com) o llámenos al número que le corresponda anteriormente incluido.

© 2014 Masco Corporación de Indiana

**Garantie limitée des robinets Delta®**

**Pièces et finis**

Toutes les pièces (à l'exception des composants électroniques et des piles) et tous les finis de ce robinet sont protégés contre les défauts du matériau et les vices de fabrication par une garantie qui est consentie au premier acheteur et qui demeure valide tant que celui-ci demeure propriétaire de la maison dans laquelle le robinet a été installé. Dans le cas d'une utilisation commerciale, la garantie est de 5 ans à compter de la date d'achat.

**Composants électroniques et piles (le cas échéant)**

Si ce robinet comporte des composants électroniques, ces composants (à l'exception des piles) sont protégés contre les défauts du matériau et les vices de fabrication par une garantie consentie au premier acheteur qui est d'une durée de 5 ans à compter de la date d'achat. Dans le cas d'une utilisation commerciale, la garantie est d'un an à compter de la date d'achat. Aucune garantie ne couvre les piles.

Delta Faucet Company remplacera, GRATUITEMENT, pendant la période de garantie applicable, toute pièce ou tout fini qui présentera une défectuosité du matériau et/ou un vice de fabrication pour autant que le robinet ait été installé, utilisé et entretenu normalement. S'il est impossible de réparer ou de remplacer le robinet, Delta Faucet Company pourra décider de rembourser le prix d'achat du produit pour autant que celui-ci lui soit retourné. **Il s'agit de vos seuls recours.**

Delta Faucet Company recommande de confier l'installation et la réparation à un plombier professionnel. Nous vous recommandons également d'utiliser uniquement des pièces de rechange authentiques Delta®.

Delta Faucet Company se dégage de toute responsabilité à l'égard des dommages causés au robinet en raison d'un mauvais usage, d'un usage abusif, de la négligence ou de l'utilisation d'une méthode d'installation, de maintenance ou de réparation incorrecte ou inadéquate, y compris les dommages résultant du non-respect des instructions de nettoyage et d'entretien applicables. Pour obtenir des pièces de rechange, veuillez appeler au numéro applicable ci-dessous ou écrire

à l'adresse applicable ci-dessous.

**Aux États-Unis et au Mexique :**

Delta Faucet Company  
Product Service  
55 E. 111th Street  
Indianapolis, IN 46280  
1-800-345-DELTA (3358)  
customerservice@deltafaucet.com

**Au Canada:**

Masco Canada Limited, Plumbing Group  
Technical Service Centre  
350 South Edgeware Road  
St. Thomas, Ontario, Canada N5P 4L1  
1-800-345-DELTA (3358)  
customerservice@mascocanada.com

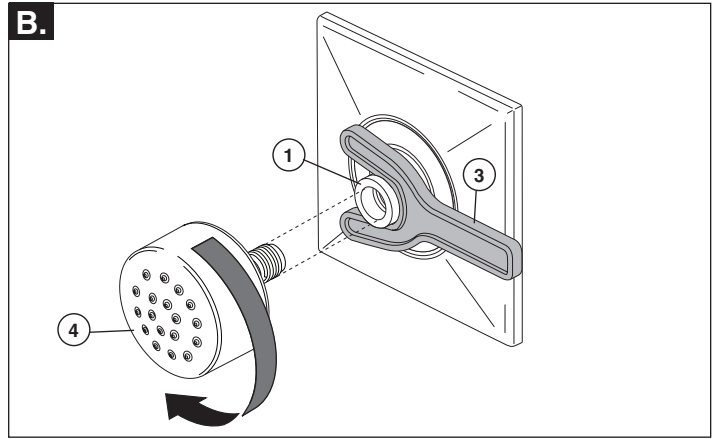
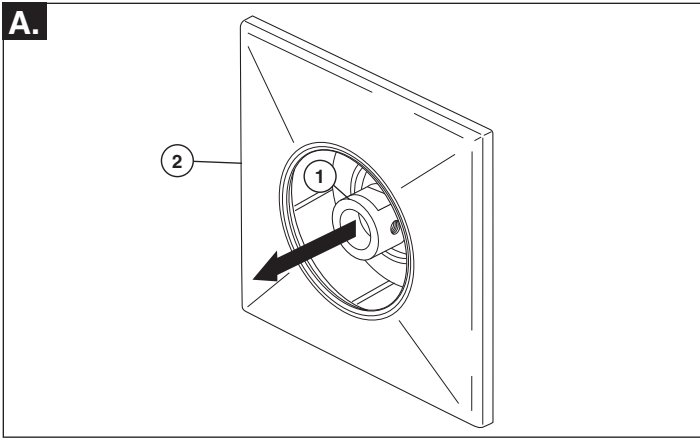
La preuve d'achat (reçu original) du premier acheteur doit être présentée à Delta Faucet Company pour toutes les demandes en vertu de la garantie, sauf si le produit a été enregistré auprès de Delta Faucet Company. La présente garantie s'applique uniquement aux robinets fabriqués après le 1er janvier 1995 et installés aux États-Unis d'Amérique, au Canada et au Mexique.

DELTA FAUCET COMPANY SE DÉGAGE DE TOUTE RESPONSABILITÉ À L'ÉGARD DES DOMMAGES PARTICULIERS, CONSÉCUTIFS OU INDIRECTS (Y COMPRIS LES FRAIS DE MAIN-D'OEUVRE) QUI POURRAIENT RÉSULTER DE LA VIOLATION D'UNE GARANTIE IMPLICITE OU EXPLICITE QUELCONQUE SUR LE ROBINET. Dans les États ou les provinces où il est interdit de limiter ou d'exclure la responsabilité à l'égard des dommages particuliers, consécutifs ou indirects, les limites et les exclusions susmentionnées ne s'appliquent pas. La présente garantie vous donne des droits précis qui peuvent varier selon l'État ou la province où vous résidez.

La présente garantie écrite est la garantie exclusive offerte par Delta Faucet Company et elle n'est pas transférable.

Si vous avez des questions ou des préoccupations en ce qui concerne notre garantie, veuillez consulter la page Warranty FAQs à [www.deltafaucet.com](http://www.deltafaucet.com), faire parvenir un courriel à [customerservice@deltafaucet.com](mailto:customerservice@deltafaucet.com) ou nous appeler au numéro applicable.

© 2014 Division de Masco Indiana



### Installing the Spray Head

**A.** Pull the sliding pop-out mechanism (1) out of the previously installed trim kit model (2) until fully extended. **Note: Depending on your trim kit and spray head model, actual escutcheon and spray face may differ visually from instructional views.**

**B.** Apply wrench (3) to flats on pop-out mechanism (1), as shown, to stop rotation during spray head installation. **Note: The wrench will only properly fit the flats in one direction.** Insert and thread spray head (4) into pop-out mechanism (1) until threading stops. **Note: Take care not to over tighten the spray head.** Store wrench (3) for future use.

### Instalación del cabezal de pulverización

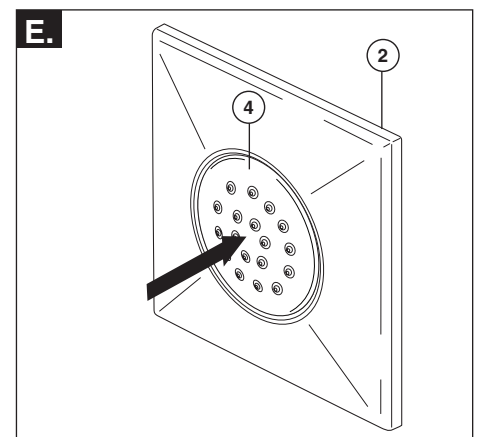
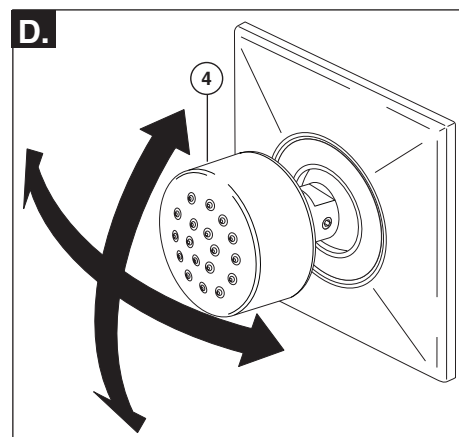
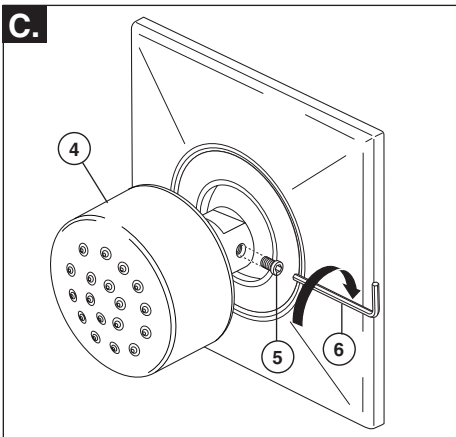
**A.** Extraiga el mecanismo del desagüe automático deslizable (1) del modelo de accesorios previamente instalado (2) hasta que esté completamente extendido. **Nota: Dependiendo de su juego o kit de accesorios y el modelo de la cabeza de la regadera, la chapa y la cara del aerosol pueden tener un aspecto diferente a los diagramas en las instrucciones.**

**B.** Use la llave de tuercas (3) en las partes planas del mecanismo de desagüe automático (1), como se muestra, para detener la rotación durante la instalación de la cabeza de la regadera. **Nota: La llave de tuercas encaja correctamente en las partes planas sólo en una dirección.** Inserte y enrosque la cabeza del rociador (4) en el mecanismo de desagüe automático (1) hasta que el enrosque no de más. **Nota: Tenga cuidado de no apretar demasiado la cabeza de la regadera.** Guarde la llave de tuercas (3) para su uso futuro.

### Installation de la tête de pulvérisation

**A.** Tirez sur le mécanisme coulissant rétractable (1) pour le faire sortir complètement de l'ensemble de finition (2) ayant été installé précédemment. **Note : Selon la trousse de finition qui a été installée et le modèle de la tête de pulvérisation, la plaque de finition et la plaque de pulvérisation peuvent avoir une apparence différente de celles montrées sur les figures incluses avec les instructions.**

**B.** Appliquez la clé (3) sur les méplats du mécanisme coulissant rétractable (1) comme le montre la figure pour l'empêcher de tourner pendant la pose de la tête de pulvérisation. **Note : La clé s'ajuste correctement sur les méplats dans un sens seulement.** Vissez la tête de pulvérisation (4) à fond dans le mécanisme coulissant rétractable (1). **Prenez garde de la serrer excessivement.** Conservez la clé (3) pour un usage ultérieur.



**C.** Secure spray head (4) with set screw (5) using hex wrench (6).

**D.** Swivel the spray head (4) to check full range of motion.

**E.** Press the spray head (4) back into pop-out mechanism until flush with trim kit escutcheon (2).

**C.** Fije la cabeza de la regadera (4) con el tornillo de fijación (5) usando una llave hexagonal (6).

**D.** Gire la cabeza de la regadera (4) para comprobar el alcance de movimiento.

**E.** Oprima la cabeza de la regadera (4) de nuevo en el mecanismo de desagüe hasta que quede nivelado con la chapa del juego de accesorio (2).

**C.** Fixez la tête de pulvérisation (4) à l'aide de la vis de calage (5) et de la clé hexagonale (6).

**D.** Faites pivoter la tête de pulvérisation (4) pour vous assurer qu'elle bouge librement sur toute sa plage.

**E.** Poussez sur la tête de pulvérisation (4) pour faire rentrer le mécanisme coulissant rétractable dans le logement jusqu'à ce qu'elle soit au ras de la plaque de finition (2).

### CLEANING AND CARE

Care should be given to the cleaning of this product. Although its finish is extremely durable, it can be damaged by harsh abrasives or polish. To clean, simply wipe gently with a damp cloth and blot dry with a soft towel.

### LIMPIEZA Y CUIDADO DE SU LLAVE

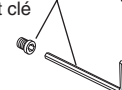
Tenga cuidado al ir a limpiar este producto. Aunque su acabado es sumamente durable, puede ser afectado por agentes de limpieza o para pulir abrasivos. Para limpiar su llave, simplemente frótelas con un trapo húmedo y luego séquela con una toalla suave.

### INSTRUCTIONS DE NETTOYAGE

Il faut le nettoyer avec soin. Même si son fini est extrêmement durable, il peut être abîmé par des produits fortement abrasifs ou des produits dépolissage. Il faut simplement le frotter doucement avec un chiffon humide et le sécher à l'aide d'un chiffon doux.

#### RP77543

Set Screw & Wrench  
Tornillo de Ajuste y Llave  
Vis de calage et clé



#### RP77544

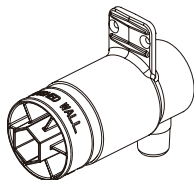
Wrench  
Llave  
Clé



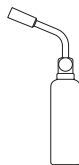
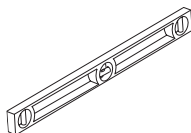
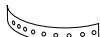
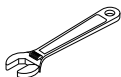
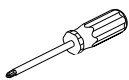


**75391**

ASME A112.18.1 / CSA B125.1

Models/Modelos/Modèles  
R50200**HYDRACHOICE™ ROUGH-IN BODY**  
**CUERPO HYDRACHOICE™ PARA LA**  
**INSTALACIÓN DENTRO DE LA PARED****CORPS DE ROBINET HYDRACHOICE™<sup>MC</sup>**

Write purchased model number here.  
Escriba aquí el número del modelo comprado.  
Inscrivez le numéro de modèle ici.

**You may need/Usted puede necesitar/Articles dont vous pouvez avoir besoin:****For easy installation of your Delta® faucet you will need:**

- To **READ ALL** the instructions completely before beginning.
- To **READ ALL** warnings, care, and maintenance information.

**THIS ROUGH-IN BODY MEETS OR EXCEEDS THE FOLLOWING STANDARDS:**  
ASME A112.18.1 / CSA B125.1.**NOTICE TO INSTALLER: CAUTION!**—As the installer of this rough-in body, it is your responsibility to properly **INSTALL** this rough-in body per the instructions given. **YOU MUST inform the owner/user of this requirement by following the instructions.** If you or the owner/user are unsure how to properly install this rough-in body, please refer to the instructions supplied and if still uncertain, call us at 1-877-345-DELTA. Leave this Instruction Sheet for the owner's/user's reference.**Para instalación fácil de su llave Delta® usted necesitará:**

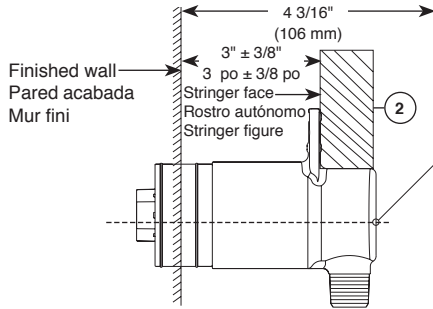
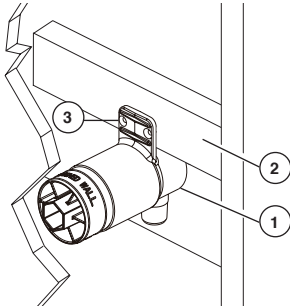
- **LEER TODAS** las instrucciones completamente antes de empezar
- **LEER TODOS** los avisos, cuidados, e información de mantenimiento.

**ESTA VALVULA CUMPLE O EXCEDE LAS SIGUIENTES NORMAS:**  
ASME A112.18.1 / CSA B125.1.**AVISO AL INSTALADOR: ¡PRECAUCIÓN!**— Como instalador de la tubería interna - dentro de la pared/piso, es su responsabilidad **INSTALAR** esta pieza correctamente como se describe en las instrucciones que le damos. **USTED DEBE informarle al propietario/usuario, siguiendo las instrucciones dadas, de este requisito.** Si usted o el propietario/usuario no están seguros como se instalan correctamente las tuberías internas, por favor refiérase a las instrucciones proporcionadas y si todavía no está seguro, llámenos al 1-877-345-DELTA. Deje esta hoja de instrucciones como referencia para el propietario/usuario.**Pour installer votre robinet Delta® facilement, vous devez:**

- **LIRE TOUTES** les instructions avant de débiter;
- **LIRE TOUS** les avertissements ainsi que toutes les instructions de nettoyage et d'entretien;

**CE ROBINET SATISFAIT AUX EXIGENCES DES NORMES ASME A112.18.1 / CSA B125.1 OU LES SURPASSE.****AVIS À L'INSTALLATEUR : ATTENTION!** — En qualité d'installateur, vous est tenu de bien **INSTALLER** ce corps de robinet conformément aux instructions. **VOUS DEVEZ informer le propriétaire ou l'utilisateur de cette exigence.** En cas de doute quant à la marche à suivre pour installer ce corps de robinet, veuillez lire les instructions fournies et, au besoin, veuillez nous appeler au 1-877-345-DELTA. Veuillez laisser ce feuillet d'instructions au propriétaire ou à l'utilisateur pour qu'il puisse le consulter s'il y a lieu.**75391**

1



### SHUT OFF WATER SUPPLIES.

Consider the type and thickness of your finished wall before placing the stringer back plate. Install the valve body (1) so the surface of the finished wall is  $3'' \pm 3/8''$  from the front face of the stringer (2), using the stringer mounting holes (3) on the valve body.

**Note for walls with a finished thickness of  $1/2''$ :** For typical 2X4 stud wall construction the stringer face must be a minimum of  $2 1/8''$  from the stud face. the maximum depth of stringer face will be limited by the clearance between the back of the rough body and the wall depth.

**Note for walls with a finished thickness of  $3''$ :** For typical 2X4 stud wall construction the stringer face must be a maximum of  $3/8''$  from the stud face. the minimum depth of stringer face will be limited by the clearance between the front of the rough mounting tab and the stud wall face.

**Note:** This product is not intended for use in applications where the finished wall is less than  $1/2''$ .

**Note:** It is critical to ensure the rough body face is plumb and parallel with the finished wall for all thicknesses. Failure to do so may result in gaps between the finished wall and escutcheon.

### CIERRE LOS SUMINISTROS DE AGUA.

Considere el tipo y el grosor de su pared acabada antes de colocar la placa trasera de su larguero. Instale el cuerpo (1) de manera que la superficie de la pared acabada sea de  $3'' \pm 3/8''$  de la cara frontal del larguero (2), usando los agujeros de instalación del larguero (3) en el cuerpo.

**Nota para las paredes con un espesor de acabado de  $1/2''$ :** Para la típica construcción de la pared con soportes 2X4 la cara del larguero debe ser de un mínimo de  $2 1/8''$  de la cara del soporte. La profundidad máxima de la cara del larguero se limitará por el espacio libre entre la parte trasera del cuerpo rugoso y la profundidad de la pared.

**Nota para las paredes con un espesor de acabado de  $3''$ :** Para la típica construcción de la pared con soportes 2X4 la cara del larguero debe ser de un máximo de  $3/8''$  de la cara del soporte. La profundidad mínima de la cara del larguero se limitará por el espacio libre entre la parte delantera de la pestaña de montaje rugosa y la cara de la pared con soportes.

**Nota:** Este producto no está diseñado para su uso en aplicaciones en las que la pared acabada es menos de  $1/2''$ .

**Nota:** Es esencial asegurar que la cara del cuerpo rugoso sea vertical y paralela a la pared acabada para todos los espesores. Si no hace esto, podría resultar en brechas entre la pared acabada y el escudo.

### INTERROMPEZ L'ALIMENTATION EN EAU.

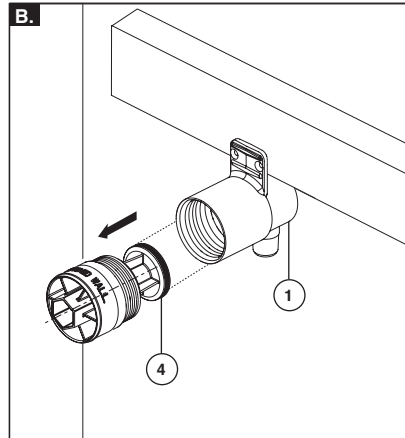
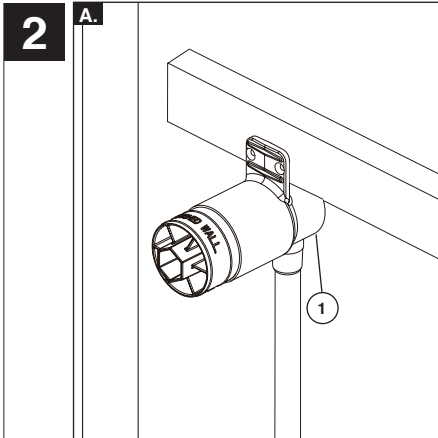
Déterminez le type et l'épaisseur du mur fini avant de placer la plaque de renfort. Installez le corps de robinet (1) de sorte que la surface du mur fini se trouve à  $3 \text{ po} \pm 3/8 \text{ po}$  de la face avant de la plaque de renfort (2), en utilisant les trous de montage de la plaque de renfort (3) dans le corps.

**Remarque pour les murs d'une épaisseur finie de  $1/2''$ :** Pour les montants de constructions de mur typiques 2X4, la face de la poutre doit être d'au minimum de  $2 1/8''$  de la face du montant. La profondeur maximale de la face de la poutre sera limitée par l'écart entre du dos du corps brut et la profondeur du mur.

**Remarque pour les murs d'une épaisseur finie de  $3''$ :** Pour les montants de constructions de mur typiques 2X4, la face de la poutre doit être d'au minimum de  $3/8''$  de la face du montant. La profondeur maximale de la face de la poutre sera limitée par l'écart entre la patte de fixation brute et la face de la poutre du mur.

**Note:** Ce produit n'est pas destiné à être utilisé dans des applications où le mur fini est inférieur à  $1/2''$ .

**Note:** Il est critique d'assurer que la face du corps brut soit verticale et parallèle avec le mur fini pour toutes les épaisseurs. Ne pas faire ainsi peut conduire à des écarts entre le mur fini et l'écusson.



**A.** Connect valve body (1) 1/2"-14 NPT inlet to water supplies using the proper fittings. **WARNING: No back to back installation is allowed with this product.**

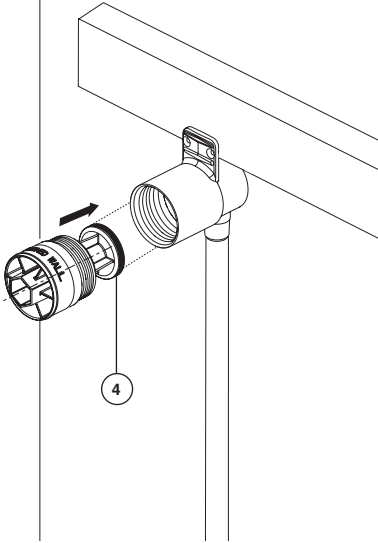
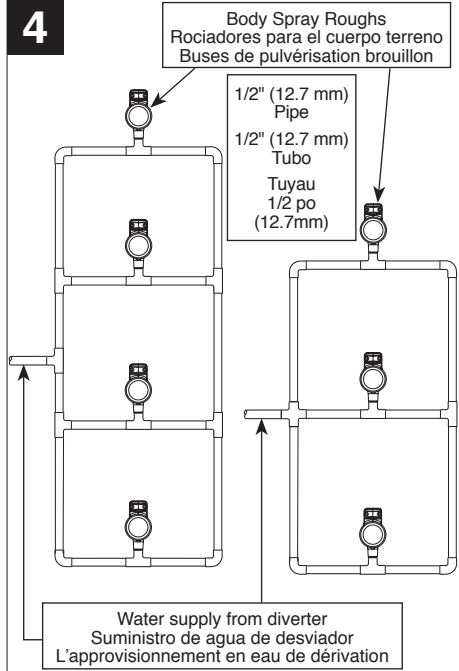
**B.** If soldering is required for any connection, remove test cap / plasterguard (4) before soldering. **WARNING: avoid high temperatures. Be sure to reinstall the test cap / plasterguard (4) after soldering.**

**A.** Conecte el cuerpo de la válvula (1) entrada del 1/2" - 14 NPT a los suministros de agua usando los accesorios apropiados. **ADVERTENCIA: No se permiten instalaciones dorso con dorso con este producto.**

**B.** Si se requiere la soldadura para cualquier conexión, retire la tapa de prueba / cubierta de plástico (4) antes de soldar. **ADVERTENCIA: evite temperaturas elevadas. Asegúrese de que vuelva a instalar la tapa de prueba / cubierta de plástico (4) después de soldar.**

**A.** Raccordez le corps de robinet (1) les entrées de 1/2 po - 14 NPT à la tuyauterie d'alimentation en eau au moyen des raccords appropriés. **AVERTISSEMENT: Ce produit n'est pas conçu pour une installation dos à dos.**

**B.** Si la soudure est nécessaire pour les connexions, retirez le bouchon de test / le protecteur (4) avant de souder. **AVERTISSEMENT: Evitez les hautes températures. Assurez-vous de réinstaller le bouchon de test / le protecteur (4) après soudure.**

**3****4**

### PRESSURE TESTING & FLUSHING THE INSTALLATION

Prior to testing, reinstall test cap (4). Tighten securely. Check for leaks. After testing remove the test cap / plasterguard and flush system. Reinstall test cap / plasterguard (4).

Recommended balance loops for body spray systems.

### PRUEBA DE PRESIÓN Y LIMPIEZA DE LA INSTALACIÓN

Antes de probar, reinstale la tapa (4). Apriete fijos. Fíjese si hay filtraciones. Después de probar quite el tapón de la regadera y deje correr el agua por el sistema. Reinstale el protector de yeso (4).

Se recomiendan balancines para los sistemas de rociador de cuerpo.

### ESSAI SOUS PRESSION ET RINÇAGE DE L'INSTALLATION

Avant d'effectuer l'essai, reposez le capuchon (4). Serrez les éléments solidement. Puis vérifiez l'étanchéité. Après l'essai, enlevez le bouchon de la sortie de la douche et rincez l'installation. Remettez le protecteur (4) en place.

Configuration recommandée pour la tuyauterie des jets de douche.



## Limited Warranty on Delta® Faucets

### Parts and Finish

All parts (other than electronic parts and batteries) and finishes of this Delta® faucet are warranted to the original consumer purchaser to be free from defects in material and workmanship for as long as the original consumer purchaser owns the home in which the faucet was first installed, or, for commercial users, for 5 years from the date of purchase.

### Electronic Parts and Batteries (if applicable)

Electronic parts (other than batteries), if any, of this Delta® faucet are warranted to the original consumer purchaser to be free from defects in material and workmanship for 5 years from the date of purchase or, for commercial users, for one year from the date of purchase. No warranty is provided on batteries.

Delta Faucet Company will replace, FREE OF CHARGE, during the applicable warranty period, any part or finish that proves defective in material and/or workmanship under normal installation, use and service. If repair or replacement is not practical, Delta Faucet Company may elect to refund the purchase price in exchange for the return of the product. These are your **exclusive remedies**.

Delta Faucet Company recommends using a professional plumber for all installation and repair. We also recommend that you use only genuine Delta® replacement parts.

Delta Faucet Company shall not be liable for any damage to the faucet resulting from misuse, abuse, neglect or improper or incorrectly performed installation, maintenance or repair, including failure to follow the applicable care and cleaning instructions.

Replacement parts may be obtained by calling the applicable number below or by writing to:

### In the United States and Mexico:

Delta Faucet Company  
Product Service  
55 E. 111th Street  
Indianapolis, IN 46280  
1-877-345-DELTA (3358)  
customerservice@deltafaucet.com

### In Canada:

Masco Canada Limited, Plumbing Group  
Technical Service Centre  
350 South Edgeware Road  
St. Thomas, Ontario, Canada N5P 4L1  
1-877-345-DELTA (3358)  
customerservice@mascocanada.com

Proof of purchase (original sales receipt) from the original purchaser must be made available to Delta Faucet Company for all warranty claims unless the purchaser has registered the product with Delta Faucet Company. This warranty applies only to Delta® faucets manufactured after January 1, 1995 and installed in the United States of America, Canada and Mexico.

DELTA FAUCET COMPANY SHALL NOT BE LIABLE FOR ANY SPECIAL, INCIDENTAL OR CONSEQUENTIAL DAMAGES (INCLUDING LABOR CHARGES) FOR BREACH OF ANY EXPRESS OR IMPLIED WARRANTY ON THE FAUCET. Some states/provinces do not allow the exclusion or limitation of special, incidental or consequential damages, so these limitations and exclusions may not apply to you. This warranty gives you special legal rights. You may also have other rights which vary from state/province to state/province.

This is Delta Faucet Company's exclusive written warranty and the warranty is not transferable.

If you have any questions or concerns regarding our warranty, please view our Warranty FAQs at [www.deltafaucet.com](http://www.deltafaucet.com), email us at [customerservice@deltafaucet.com](mailto:customerservice@deltafaucet.com) or call us at the applicable number above.

© 2014 Masco Corporation of Indiana

## Garantía Limitada de las Llaves de Agua (grifos) Delta®

### Piezas y acabado

Todas las piezas (excepto las piezas electrónicas y las pilas) y los acabados de esta llave de agua Delta® están garantizados al consumidor comprador original de estar libres de defectos en material y fabricación durante el tiempo que el comprador original posea la vivienda en la que la llave de agua fue originalmente instalada o, para los consumidores comerciales, durante 5 años a partir de la fecha de compra.

### Componentes electrónicos y pilas (si aplicable)

Todas las piezas (salvo las pilas), si hay, de esta llave de agua Delta® están garantizadas al consumidor comprador original de estar libres de defectos en materiales y fabricación durante 5 años a partir de la fecha de compra o, para los usuarios comerciales, por un año a partir de la fecha de compra. No se garantizan las pilas.

Delta Faucet Company reemplazará, SIN CARGO, durante el período de garantía aplicable, cualquier pieza o acabado que pruebe tener defectos de material y/o fabricación bajo la instalación, uso y servicio normal. Si la reparación o su reemplazo no es práctico, Delta Faucet Company tiene la opción de reembolsarle su dinero por la cantidad del precio de compra a cambio de la devolución del producto. **Estos son sus únicos recursos.**

Delta Faucet Company recomienda que use los servicios de un plomero profesional para todas las instalaciones y reparaciones. También le recomendamos que utilice solo las piezas de repuesto originales de Delta®.

Delta Faucet Company no será responsable por cualquier daño a la llave de agua que resulte del mal uso, abuso, negligencia o mala instalación o mantenimiento o reparación incorrecta, incluyendo el no seguir los cuidados aplicables y las instrucciones de limpieza.

Las piezas de repuesto se pueden obtener llamando al número correspondiente más abajo, o escribiendo a:

### En los Estados Unidos y México:

Delta Faucet Company  
Product Service  
55 E. 111th Street  
Indianapolis, IN 46280  
1-877-345-DELTA (3358)  
customerservice@deltafaucet.com

### En Canada:

Masco Canada Limited, Plumbing Group  
Technical Service Centre  
350 South Edgeware Road  
St. Thomas, Ontario, Canada N5P 4L1  
1-877-345-DELTA (3358)  
customerservice@mascocanada.com

La prueba de compra (recibo original) del comprador original debe ser disponible a Delta Faucet Company para todos los reclamos a menos que el comprador haya registrado el producto con Delta Faucet Company. Esta garantía le aplica solo a las llaves de agua de Delta® fabricadas después del 1 de enero 1995 e instaladas en los Estados Unidos de América, Canadá y México.

DELTA FAUCET COMPANY NO SE HACE RESPONSABLE POR CUALQUIER DAÑO ESPECIAL, INCIDENTAL O CONSECUTIVO (INCLUYENDO LOS GASTOS DE MANO DE OBRA) POR EL INCUMPLIMIENTO DE CUALQUIER GARANTÍA EXPRESA O IMPLÍCITA DE LA LLAVE DE AGUA. Algunos estados/provincias no permiten la exclusión o limitación de daños especiales, incidentales o consecutivos, por lo que estas limitaciones y exclusiones pueden no aplicarse a usted. Esta garantía le otorga derechos legales. Usted también puede tener otros derechos que varían de estado/provincia a estado/provincia.

Esta es la garantía exclusiva por escrito de Delta Faucet Company y la garantía no es transferible.

Si usted tiene alguna pregunta o inquietud acerca de nuestra garantía, por favor, vea nuestra sección de preguntas frecuentes FAQ sobre la garantía en [www.deltafaucet.com](http://www.deltafaucet.com), también puede enviarnos un correo electrónico a [customerservice@deltafaucet.com](mailto:customerservice@deltafaucet.com) o llámanos al número que le correspondía anteriormente incluido.

© 2014 Masco Corporation de Indiana

## Garantie limitée des robinets Delta®

### Pièces et finis

Toutes les pièces (à l'exception des composants électroniques et des piles) et tous les finis de ce robinet Delta® sont protégés contre les défectosités du matériau et les vices de fabrication par une garantie qui est consentie au premier acheteur et qui demeure valide tant que celui-ci demeure propriétaire de la maison dans laquelle le robinet a été installé. Dans le cas d'une utilisation commerciale, la garantie est de 5 ans à compter de la date d'achat.

### Composants électroniques et piles (le cas échéant)

Si ce robinet Delta® comporte des composants électroniques, ces composants (à l'exception des piles) sont protégés contre les défectosités du matériau et les vices de fabrication par une garantie consentie au premier acheteur qui est d'une durée de 5 ans à compter de la date d'achat. Dans le cas d'une utilisation commerciale, la garantie est d'un an à compter de la date d'achat. Aucune garantie ne couvre les piles.

Delta Faucet Company remplacera, GRATUITEMENT, pendant la période de garantie applicable, toute pièce ou tout fini qui présentera une défectuosité du matériau et/ou un vice de fabrication pour autant que le robinet ait été installé, utilisé et entretenu normalement. S'il est impossible de réparer ou de remplacer le robinet, Delta Faucet Company pourra décider de rembourser le prix d'achat du produit pour autant que celui-ci lui soit retourné. Il s'agit de vos seuls recours.

Delta Faucet Company recommande de confier l'installation et la réparation à un plombier professionnel. Nous vous recommandons également d'utiliser uniquement des pièces de rechange authentiques Delta®.

Delta Faucet Company se dégage de toute responsabilité à l'égard des dommages causés au robinet en raison d'un mauvais usage, d'un usage abusif, de la négligence ou de l'utilisation d'une méthode d'installation, de maintenance ou de réparation incorrecte ou inadéquate, y compris les dommages résultant du non-respect des instructions de nettoyage et d'entretien applicables.

Pour obtenir des pièces de rechange, veuillez appeler au numéro applicable ci-dessous ou écrire à l'adresse applicable ci-dessous.

### Aux États-Unis et au Mexique :

Delta Faucet Company  
Product Service  
55 E. 111th Street  
Indianapolis, IN 46280  
1-877-345-DELTA (3358)  
customerservice@deltafaucet.com

### au Canada :

Masco Canada Limited, Plumbing Group  
Technical Service Centre  
350 South Edgeware Road  
St. Thomas, Ontario, Canada N5P 4L1  
1-877-345-DELTA (3358)  
customerservice@mascocanada.com

La preuve d'achat (recu original) du premier acheteur doit être présentée à Delta Faucet Company pour toutes les demandes en vertu de la garantie, sauf si le produit a été enregistré auprès des ventes de la garantie. La présente garantie s'applique uniquement aux robinets Delta® fabriqués après le 1er janvier 1995 et installés aux États-Unis d'Amérique, au Canada et au Mexique.

DELTA FAUCET COMPANY SE DÉGAGE DE TOUTE RESPONSABILITÉ À L'ÉGARD DES DOMMAGES PARTICULIERS, CONSÉQUENTS OU INDIRECTS (Y COMPRIS LES FRAIS DE MAIN-D'ŒUVRE) QUI POURRAIENT RÉSULTER DE LA VIOLATION D'UNE GARANTIE IMPLICITE OU EXPLICITE QUELCONQUE SUR LE ROBINET. Dans les États ou les provinces où il est interdit de limiter ou d'exclure la responsabilité à l'égard des dommages particuliers, consécutifs ou indirects, les limites et les exclusions susmentionnées ne s'appliquent pas. La présente garantie vous donne des droits précis qui peuvent varier selon l'État ou la province où vous résidez.

La présente garantie écrite est la garantie exclusive offerte par Delta Faucet Company et elle n'est pas transférable.

Si vous avez des questions ou des préoccupations en ce qui concerne notre garantie, veuillez consulter la page Warranty FAQs à [www.deltafaucet.com](http://www.deltafaucet.com), faire parvenir un courriel à [customerservice@deltafaucet.com](mailto:customerservice@deltafaucet.com) ou nous appeler au numéro applicable.

© 2014 Division de Masco Indiana