



# MultiChoice® Valve Trim Installation Instructions

## Owners Manual

### 17T Series

68883

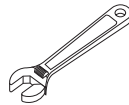
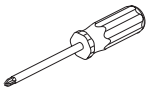
17T Series

17T Series

17T Series

Write purchased model number here.

### You May Need



### Table of Contents:

|   |             |
|---|-------------|
| Warranties .....                        | Page 2      |
| Installation Instructions .....         | Pages 3 - 7 |
| Clean and care .....                    | Page 8      |
| Maintenance .....                       | Page 8      |
| Cartridge Summary Reference Sheet ..... | Page 8      |

To order replacement parts, visit [www.deltafaucet.com](http://www.deltafaucet.com)

**CAUTION:** This system/device must be set by the installer to ensure safe, maximum temperature. Any change in the setting may raise the discharge temperature above the limit considered safe and may lead to hot water burns.

**NOTICE TO INSTALLER: CAUTION!**—As the installer of this valve, it is your responsibility to properly INSTALL and ADJUST this valve per the instructions given. This valve does not automatically adjust for inlet temperature changes, therefore, someone must make the necessary temperature knob adjustments at the time of installation and further adjustments may be necessary due to seasonal water temperature change. YOU MUST inform the owner/user of this requirement by following the instructions. If you or the owner/user are unsure how to properly make these adjustments please refer to page 7 and if still uncertain, call us at 1-800-345-DELTA.

After installation and adjustment, you must affix your name, company name and the date you adjusted the temperature knob to the caution

label provided and apply or attach the label to the back side of the closest cabinet door and the warning label to the water heater. Leave this Instruction Sheet for the owner's/user's reference. **WARNING:** This pressure balanced or thermostatic bath valve is designed to minimize the effects of outlet water temperature changes due to inlet pressure changes, commonly caused by dishwashers, washing machines, toilets and the like. It may not provide protection from hot water burns when there is a failure of other temperature controlling devices elsewhere in the plumbing system, if the temperature knob is not properly set or if the hot water temperature is changed after the settings are made or if the water inlet changes due to seasonal changes. **WARNING:** Do not install a shut-off device on either outlet of this valve. When this type of device shuts off the water flow, it can defeat the ability of the valve to balance the hot and cold water pressures.

## Lifetime Faucet and Finish Limited Warranty

### Parts and Finish

All parts (other than electronic parts and batteries) and finishes of this Delta® faucet are warranted to the original consumer purchaser to be free from defects in material and workmanship for as long as the original consumer purchaser owns the home in which the faucet was first installed or, for commercial users, for 5 years from the date of purchase.

### Electronic Parts and Batteries (if applicable)

Electronic parts (other than batteries), if any, of this Delta® faucet are warranted to the original consumer purchaser to be free from defects in material and workmanship for 5 years from the date of purchase or, for commercial users, for one year from the date of purchase. No warranty is provided on batteries.

Delta Faucet Company will replace, FREE OF CHARGE, during the applicable warranty period, any part or finish that proves defective in material and/or workmanship under normal installation, use and service. If repair or replacement is not practical, Delta Faucet Company may elect to refund the purchase price in exchange for the return of the product. **These are your exclusive remedies.**

Delta Faucet Company recommends using a professional plumber for all installato and repair. We also recommend that you use only genuine Delta™ replacement parts.

Delta Faucet Company shall not be liable for any damage to the faucet resulting from misuse, abuse, neglect or improper or incorrectly performed installation, maintenance or repair, including failure to follow the applicable care and cleaning instructions.

Replacement parts may be obtained by calling the applicable number below or by writing to:

### In the United States and Mexico:

Delta Faucet Company  
Product Service  
55 E. 111th Street  
Indianapolis, IN 46280  
1-800-345-DELTA (3358)  
customerservice@deltafaucet.com

### In Canada:

Masco Canada Limited, Plumbing Group  
Technical Service Centre  
350 South Edgeware Road  
St. Thomas, Ontario, Canada N5P 4L1  
1-800-345-DELTA (3358)  
customerservice@mascocanada.com

Proof of purchase (original sales receipt) from the original purchaser must be made available to Delta Faucet Company for all warranty claims unless the purchaser has registered the product with Delta Faucet Company. This warranty applies only to Delta® faucets manufactured after January 1, 1995 and installed in the United States of America, Canada and Mexico.

DELTA FAUCET COMPANY SHALL NOT BE LIABLE FOR ANY SPECIAL, INCIDENTAL OR CONSEQUENTIAL DAMAGES (INCLUDING LABOR CHARGES) FOR BREACH OF ANY EXPRESS OR IMPLIED WARRANTY ON THE FAUCET. Some states/provinces do not allow the exclusion or limitation of special, incidental or consequential damages, so these limitations and exclusions may not apply to you. This warranty gives you special legal rights. You may also have other rights which vary from state/province to state/province.

This is Delta Faucet Company's exclusive written warranty and the warranty is not transferable.

If you have any questions or concerns regarding our warranty, please view our Warranty FAQs at [www.deltafaucet.com](http://www.deltafaucet.com), email us at [customerservice@deltafaucet.com](mailto:customerservice@deltafaucet.com) or call us at the applicable number above.

## Delta HDF Limited Warranty

All parts of the Delta HDF faucet are warranted to the original consumer purchaser to be free from defects in material and workmanship for a period of five (5) years. This warranty is made to the original consumer purchaser and shall be effective from date of purchase as shown on purchaser's receipt.

Delta will replace, FREE OF CHARGE, during the warranty period, any part which proves defective in material and/or workmanship under normal installation, use and service. Replacement parts can be obtained from your local dealer or distributor listed in the telephone directory or by returning the part along with the purchaser's receipt to our factory, TRANSPORTATION CHARGES PREPAID, at the address listed. **THIS WARRANTY IS THE ONLY EXPRESS WARRANTY MADE BY DELTA. ANY CLAIMS MADE UNDER THIS WARRANTY MUST BE MADE DURING THE FIVE YEAR PERIOD REFERRED TO ABOVE. ANY IMPLIED WARRANTIES, INCLUDING THE IMPLIED WARRANTY OF MERCHANTABILITY OR FITNESS FOR A**

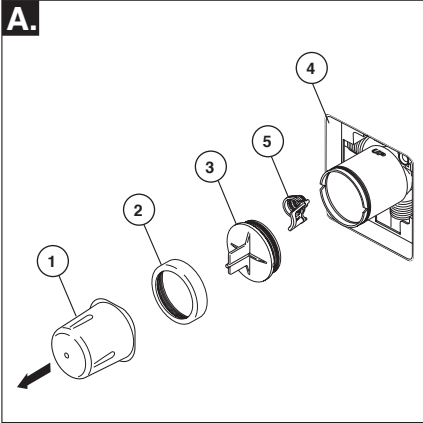
**PARTICULAR PURPOSE, ARE LIMITED IN DURATION TO THE DURATION OF THIS WARRANTY. LABOR CHARGES AND/OR DAMAGE INCURRED IN INSTALLATION, REPAIR OR REPLACEMENT AS WELL AS INCIDENTAL AND CONSEQUENTIAL DAMAGES CONNECTED THEREWITH ARE EXCLUDED AND WILL NOT BE PAID BY DELTA.**

Some states do not allow limitations on how long an implied warranty lasts, or the exclusion or limitation of incidental or consequential damages, so the above limitations or exclusions may not apply to you.

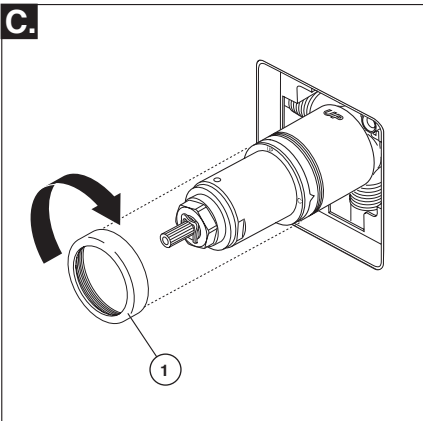
This warranty gives you specific legal rights, and you may also have other rights which vary from state to state.

This warranty is void for any damage to this faucet due to misuse, abuse, neglect, accident, improper installation, any use violative of instructions furnished by us or any use of replacement parts other than genuine Delta parts.

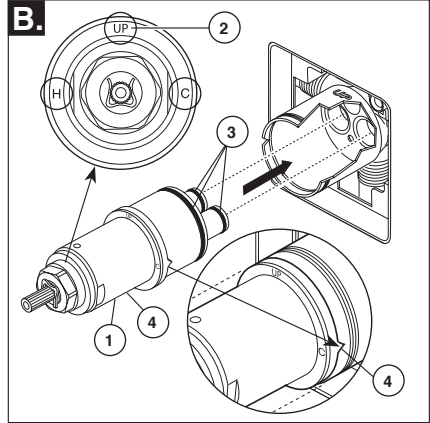
## 1 Cartridge Installation



**Turn off water supplies.** Remove cover (1), bonnet nut (2) and test cap (3) from the body. Place a bucket or small container over the front of the valve body and slowly open the water supplies to flush any debris from the supply lines before installing the cartridge. Turn the water supplies back off. If this is not a thin wall mounting, the entire plasterguard (4) may be removed. If screen (5) is in place, remove before installing cartridge.

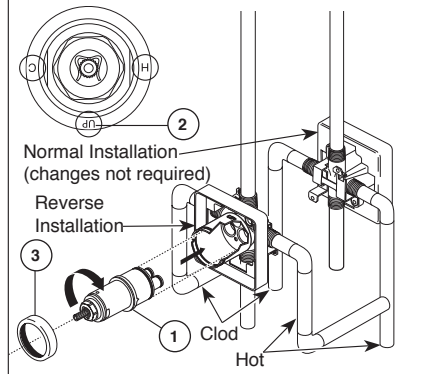


Slide bonnet nut (1) over the cartridge and thread onto the body. Hand tighten securely.



Rotate the cartridge (1) so the word "UP" (2) appears on the top. The "H" must be on the hot side and the "C" must be on the cold side. Add silicone lube to the three o-rings (3) shown above to make the cartridge easier to install and remove from the valve body. Insert cartridge into valve body as shown. Ensure the keys on the body are fully engaged with the slots in the body (4).

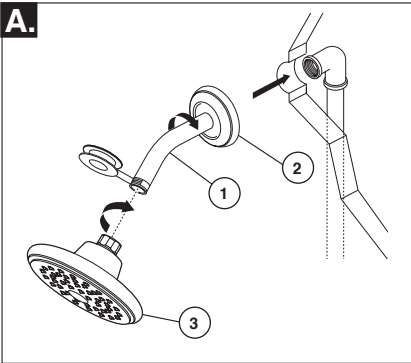
## Back to back Installation



For the exceptions of back to back or reverse installations (hot on right and cold on left) only: Rotate cartridge (1) so "H" is on the hot side and "C" is on the cold side and the word "UP" (2) appears on the bottom. Add silicone lube to the three o-rings shown above to make the cartridge easier to install and remove from the valve body. Install the cartridge making sure that the keys are fully engaged with the slot in the brass body (see step B). Slide bonnet nut (3) over the cartridge and thread onto the body. Hand tighten securely.

# Installation

## 2 Showerhead and Tub Spout Installation



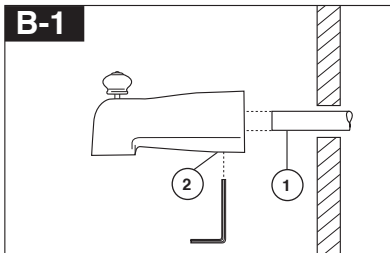
### FOR SHOWERHEAD INSTALLATION:

Apply plumber tape to pipe threads on both ends of the shower arm (1). To prevent damage to finish on shower arm, insert wall end of shower arm into shower flange (2) before screwing arm into riser connection.

Thread showerhead (3) onto shower arm. Do not overtighten showerhead.

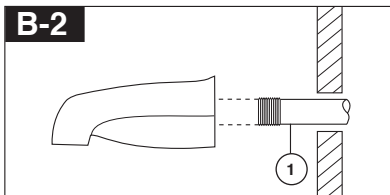
### FOR TUB SPOUT INSTALLATION:

Refer to the installation instructions supplied with your spout. Do not connect deck mount spouts to in-wall valves. Do not use hand showers connected in lieu of a tub spout to a tub/shower valve. Do not use PEX tubing for tub spout drop.



### Slip-On Installation

The copper tube (1) must be 1/2" nominal copper. Important: If it is necessary to cut the copper tube, the end must be chamfered free of burrs to prevent cutting or nicking O-ring inside the spout. Slide spout over copper tube flush with the finished tub or wall surface. Tighten set screw (2), but do not overtighten.

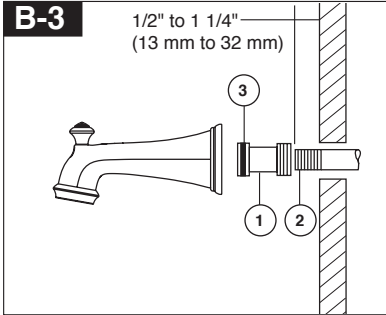


### Iron Pipe Installation

Install threaded pipe nipple (1) to extend past finished wall. Apply plumber tape to threads on pipe nipple and screw on tub spout.



## 2 Showerhead and Tub Spout Installation



### Iron Pipe Installation

#### Installation of easy-on universal tub spout

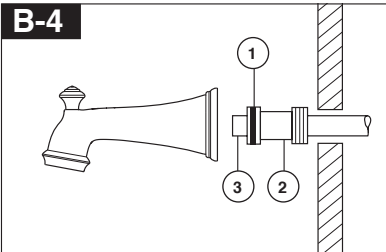
Install pipe nipple so that end of nipple projects out from finished wall surface 1/2" to 1 1/4" (13 mm to 32 mm).

Apply plumber tape or pipe dope to pipe threads.

Hand tighten adapter (1) onto pipe nipple (2).

Finish tightening with standard pipe wrench until a positive seal is implemented. Take care not to damage O-Ring (3) groove. Back of adapter (1) must not project more than 1" (25 mm) from finished wall surface.

Hand tighten tub spout onto adapter (1) taking care not to damage the O-Ring (3).

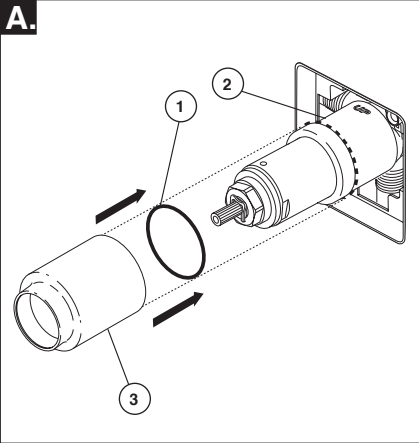


### Copper Sweat Installation

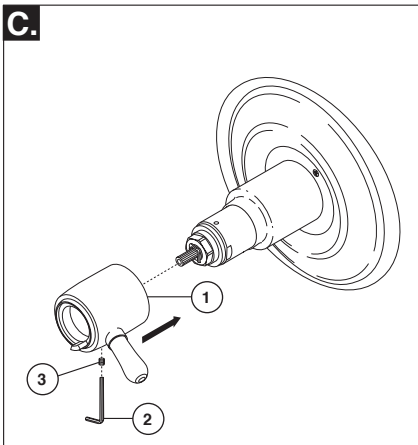
Remove O-ring (1) from adapter (2). Solder adapter to tube taking care to keep solder away from O-ring groove. **CAUTION: NO SOLDER PERMITTED ON OUTSIDE DIAMETER OF ADAPTER ADJACENT TO O-RING GROOVE.** Cut off tube (3) and replace O-ring on groove of brass adapter. Thread tub/spout onto adapter, taking care not to damage O-ring, and hand tighten until spout is firmly against finished wall and all slack is taken up behind wall.

# Installation

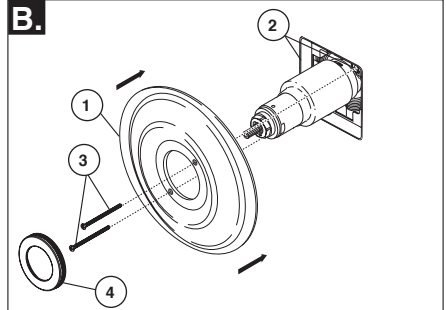
## 3 Valve Trim Installation



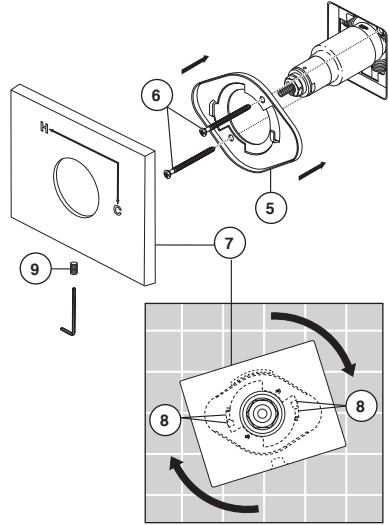
Slide O-ring (1) over cartridge and the bonnet nut (2). The O-ring, which acts as a spacer to steady the sleeve, should rest behind the bonnet nut. Slide the sleeve (3) over the cartridge, body and O-ring. Ensure sleeve is properly positioned over the front of cartridge.



Install volume control handle (1) with lever to the right, using an Allen wrench (2) to secure with the set screw (3).



### Escutcheon Installation for Models T17T053, T17T253, T17T453, T17T067, T17T267 & T17T467.



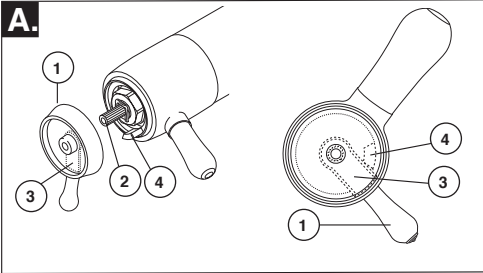
Secure the escutcheon (1) to the bracket (2) with the 2 screws provided (3). Do not overtighten escutcheon screws.

**If you are installing the Cassidy models T17T097, T17T297 & T17T497:** Thread the cover (4) onto the escutcheon (1).

**For models T17T053, T17T253, T17T453, T17T067, T17T267 & T17T467:**

Install bracket (5) over the cartridge body using the 2 screws provided (6). Install escutcheon (7) by placing it over the bracket as shown and rotating it to lock the tabs (8). Secure the escutcheon to the bracket using set screw (9).

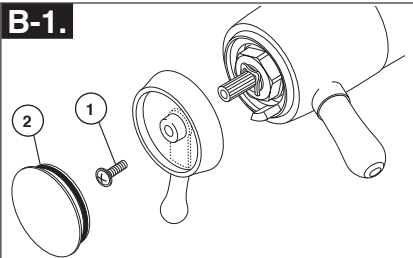
## 4 Installation and Adjustment of the Temperature Knob Failure to do so may cause injury.



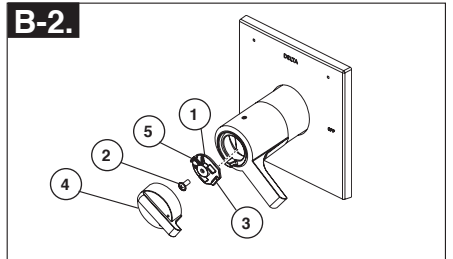
### A. Adjust temperature limit stop!

Turn on water supplies; LET THE WATER RUN AT BOTH FULL HOT AND FULL COLD TO ENSURE THE WATER IS RUNNING AS HOT/ COLD AS POSSIBLE. Place a thermometer in a plastic tumbler, and hold the tumbler in the water stream. Place the temperature knob (1) onto the splines (2), then rotate the temperature knob counter-clockwise until you achieve your maximum desired temperature from the outlet (not more than 120° or the lower temperature mandated by your local plumbing code).

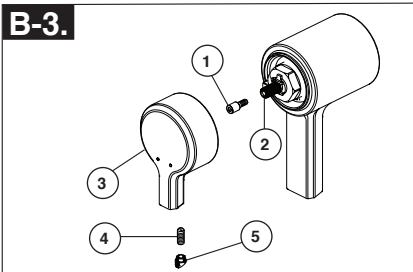
If max temperature is not achieved before limit stop (3) on temperature knob (1) meets the limit stop (4) on the volume control handle. Remove the temperature control knob (1) from splines (2). Rotate temperature control knob (1) clockwise. Place temperature control knob (1) back onto splines (2) and continue to rotate counter-clockwise until maximum desired temperature is achieved. Remove the temperature knob (1) and replace onto the splines (2), making sure that the temperature knob limit stop (3) hits against the volume handle limit stop (4) as shown.



Secure the temperature knob using screw (1) and place cap (2) on knob.



Secure temperature control knob (1) with screw (2). Hook (3) front of temperature control cover (4) onto knob (1) before engaging rear snap (5).



Attach spacer screw (1) to valve stem (2). Slide temperature control handle (3) into place over spacer screw (1) and secure using set screw (4). Cover with decorative button (5).

**5** Potential scald or thermal shock injury could result due to cross flow if outlet at the shower is blocked or restricted (e.g., pause control on showerhead). Be sure to point showerhead away from you when re-starting flow or install inlet check valves on both supply lines to prevent possible injury.

## Cleaning and Care

Care should be given to the cleaning of this product. Although its finish is extremely durable, it can be damaged by harsh abrasives or polish. To clean, simply wipe gently with a damp cloth and blot dry with a soft towel.

**Warning:** *Scrubbing Bubbles® Bathroom Cleaner and Lysol® Basin Tub and Tile Cleaner* must not be used on the clear knob handles and levers. Use of these cleaners can result in cracked or severely damaged handles. If overspray gets onto the handles, immediately wipe them dry with a soft cotton cloth.

## Maintenance

### Cannot receive more than a trickle of water:

Both hot and cold supply lines must be pressurized. If only one side is pressurized, the system will not allow adequate flow of water.

### Faucet leaks from showerhead:

Remove the showerhead then turn the water on and off to verify if the cartridge is leaking or the showerhead is draining slowly (the showerhead may need to be cleaned if water drains slowly).

### If leak persists -SHUT OFF WATER SUPPLIES

Replace cartridge assembly - RP47201.

### Unable to set or maintain mixed water temperature:

SHUT OFF WATER SUPPLIES. Remove handle assembly, trim sleeve, and bonnet nut. Check to make sure the "H" marking on the cartridge aligns with the hot inlet and the "C" marking on the cartridge aligns with the cold inlet to the valve body. The thermostatic cartridge cannot function if hot and cold inlets are reversed.

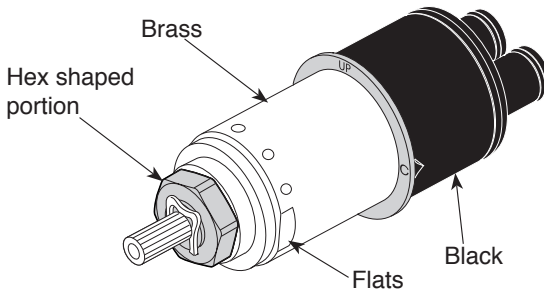
### Low flow:

Low flow may be caused by clogged screens within the thermostatic cartridge. To clean the hot and cold screens in the cartridge, follow the steps below:

1. SHUT OFF WATER SUPPLIES.
2. Remove the handle assembly.
3. Unscrew the hex shaped portion of the cartridge from the brass section of the cartridge. The brass section must be held securely by the flats while the hex is rotated counter-clockwise. Failure to secure the brass section while rotating the hex can result in damage to the cartridge. (See illustration below)
4. Carefully clean any debris from the screens under running water. If the debris is difficult to remove then soak the screens overnight in a 50% water and 50% vinegar solution.
5. Reassemble the cartridge.
6. Replace the handle.
7. Turn the water back on.
8. Reset the limit stop before using the valve.

## Cartridge Summary Reference Sheet

17T



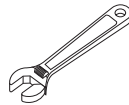
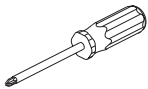
**Order RP47201 to  
Replace Cartridge.**



# Instrucciones para la Instalación del Accesorio para Válvulas MultiChoice® Manual para los Propietarios 17T Series

Escriba aquí el número del modelo comprado.

## Usted puede necesitar



## Contenido:

|   |             |
|---|-------------|
| Garantías .....                                   | Page 2      |
| Instrucciones de Instalación .....                | Pages 3 - 7 |
| Limpieza y Cuidado de su Llave .....              | Page 8      |
| Mantenimiento .....                               | Page 8      |
| Hoja resumen de referencia para el cartucho ..... | Page 8      |

## Para ordenar las piezas de repuesto, visítenos en [www.deltafaucet.com](http://www.deltafaucet.com)

**ADVERTENCIA:** El instalador debe apostar este sistema/divisa para garantizar temperatura máximo y seguro. Cualquier cambio en el ajuste puede subir la temperatura del agua de descarga sobre el límite considerado seguro y puede resultar en quemaduras de agua caliente.

**AVISO PARA EL INSTALADOR: PRECAUCIÓN**  
– Como instalador de esta válvula, es su responsabilidad de **INSTALAR Y AJUSTAR** apropiadamente esta válvula como se describe en las instrucciones, por lo tanto, debe haber una persona para hacer los ajustes necesarios del pomo para la temperatura en el momento que se haga la instalación y pueda necesitar ajustes adicionales por los cambios estacionales de la temperatura del agua. **USTED DEBE** informarle al dueño/usuario sobre este requisito siguiendo las instrucciones. Si usted o el dueño/usuario no están seguros como hacer estos ajustes apropiadamente, por favor refiérase al **Página 7** y si todavía no está seguro, llámenos al **1-800-345-DELTA**.

Después de hacer la instalación y el ajuste, usted puede agregarle a la etiqueta de aviso proporcionada, su nombre, el nombre de la compañía y la fecha cuando ajustó pomo para la temperatura y aplicar

o fijar la etiqueta al dorso de la puerta del gabinete más cercano y la etiqueta de aviso al calentador de agua. Deje la Hoja de Instrucciones para referencia del dueño/usuario. **ADVERTENCIA:** Esta válvula de presión balanceada y termostática está diseñada para minimizar los efectos de los cambios de temperatura de agua por causa de los cambios de presión en el agua de entrada, comúnmente causados por lavadoras de platos, lavadoras de ropa, inodoros, y otros aparatos por el estilo. Puede no proporcionar protección de quemaduras de agua caliente cuando hay alguna falla de otros aparatos para el control de temperatura en otro sitio en el sistema de plomería. También no proporcionará protección si el pomo para el ajuste de la temperatura no está apropiadamente fijo o si cambia la temperatura del agua caliente después de hacer los ajustes o si los cambios del agua de entrada son por los cambios estacionales. **ADVERTENCIA:** No instale un aparato de corte o cierre en cualquiera de las tomas de esta válvula. Cuando este tipo de aparato cierra el flujo de agua, puede hacer fallar la habilidad de la válvula de balancear las presiones del agua caliente y fría.

## Garantía Limitada De Por Vida de la Llave y su Acabado

### Piezas y acabado

Todas las piezas (excepto las piezas electrónicas y las pilas) y los acabados de esta llave de agua Delta® están garantizados al consumidor comprador original de estar libres de defectos en material y fabricación durante el tiempo que el comprador original posea la vivienda en la que la llave de agua fue originalmente instalada o, para los consumidores comerciales, durante 5 años a partir de la fecha de compra.

### Componentes electrónicos y pilas (si aplicable)

Todas las piezas (salvo las pilas), si hay, de esta llave de agua Delta® están garantizadas al consumidor comprador original de estar libres de defectos en materiales y fabricación durante 5 años a partir de la fecha de compra o, para los usuarios comerciales, por un año a partir de la fecha de compra. No se garantizan las pilas.

Delta Faucet Company reemplazará, SIN CARGO, durante el período de garantía aplicable, cualquier pieza o acabado que pruebe tener defectos de material y/o fabricación bajo la instalación, uso y servicio normal. Si la reparación o su reemplazo no es práctico, Delta Faucet Company tiene la opción de reembolsarle su dinero por la cantidad del precio de compra a cambio de la devolución del producto. **Estos son sus únicos recursos.**

Delta Faucet Company recomienda que use los servicios de un plomero profesional para todas las instalaciones y reparaciones. También le recomendamos que utilice sólo las piezas de repuesto originales de Delta®.

Delta Faucet Company no será responsable por cualquier daño a la llave de agua que resulte del mal uso, abuso, negligencia o mala instalación o mantenimiento o reparación incorrecta, incluyendo el no seguir los cuidados aplicables y las instrucciones de limpieza.

Las piezas de repuesto se pueden obtener llamando al número correspondiente más abajo, o escribiendo a:

### En los Estados Unidos y México:

Delta Faucet Company  
Product Service  
55 E. 111th Street  
Indianapolis, IN 46280  
1 800 345 DELTA (3358)  
customerservice@deltafaucet.com

### En Canadá:

Masco Canada Limited, Plumbing Group  
Technical Service Centre  
350 South Edgeware Road  
St. Thomas, Ontario, Canada N5P 4L1  
1 800 345 DELTA (3358)  
customerservice@mascocanada.com

La prueba de compra (recibo original) del comprador original debe ser disponible a Delta Faucet Company para todos los reclamos a menos que el comprador haya registrado el producto con Delta Faucet Company. Esta garantía le aplica sólo a las llaves de agua de Delta fabricadas después del 1 de enero 1995 e instaladas en los Estados Unidos de América, Canadá y México.

**DELTA FAUCET COMPANY NO SE HACE RESPONSABLE POR CUALQUIER DAÑO ESPECIAL, INCIDENTAL O CONSECUENTE (INCLUYENDO LOS GASTOS DE MANO DE OBRA) POR EL INCUMPLIMIENTO DE CUALQUIER GARANTÍA EXPRESA O IMPLÍCITA DE LA LLAVE DE AGUA.** Algunos estados/provincias no permiten la exclusión o limitación de daños especiales, incidentales o consecuentes, por lo que estas limitaciones y exclusiones pueden no aplicarle a usted. Esta garantía le otorga derechos legales. Usted también puede tener otros derechos que varían de estado/provincia a estado/provincia.

Esta es la garantía exclusiva por escrito de Delta Faucet Company y la garantía no es transferible.

Si usted tiene alguna pregunta o inquietud acerca de nuestra garantía, por favor, vea nuestra sección de preguntas frecuentes FAQ sobre la garantía en [www.deltafaucet.com](http://www.deltafaucet.com), también puede enviarnos un correo electrónico a [customerservice@deltafaucet.com](mailto:customerservice@deltafaucet.com) o llámenos al número que le corresponda anteriormente incluido.

## Garantía Limitada de Delta HDF

Todas las piezas de la llave Delta HDF están garantizadas al dueño original de estar libres de defectos en materiales y/o en la mano de obra por un período de cinco (5) años. Esta garantía se hace al dueño original y será efectiva el día de la compra como se ve en el recibo de compra.

Delta reemplazará, LIBRE DE CARGO, durante el período de la garantía, cualquier pieza que resulte defectuosa en materiales y/o en la mano de obra bajo instalación, uso y servicio normal. Las piezas de repuesto pueden ser obtenidas de su comerciante o distribuidor local que se encuentran en la guía telefónica o si usted devuelve la pieza con el recibo de compra a nuestra fabrica, Y LOS CARGOS DE TRANSPORTE PAGADOS CON ANTELACION, a la dirección dada. ESTA GARANTIA ES LA UNICA GARANTIA EXPRESA DE DELTA. CUALQUIER RECLAMO HECHO BAJO ESTA GARANTIA TIENE QUE SER HECHO DURANTE EL PERIODO DE CINCO AÑOS A QUE SE REFIERE ARRIBA. CUALQUIER GARANTIA IMPLICITA, INCLUYENDO LA GARANTIA IMPLICITA DE COMERCIALIZACION O CONVENIENCIA PARA UN PROPOSITO PARTICULAR, SON LIMITADOS EN

DURACION A LA DURACION DE ESTA GARANTIA. LOS CARGOS PARA LA MANO DE OBRA Y/O DAÑOS INCURRIDOS EN LA INSTALACION, REPARACION O REEMPLAZO, ASI COMO LOS DAÑOS INCIDENTALES O CONSECUENTES CONECTADOS CON ELLOS SON EXCLUIDOS Y NO SERAN PAGADOS POR DELTA.

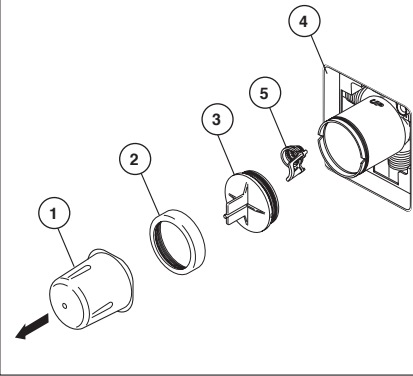
Algunos estados no permiten limitaciones al tiempo que dura la garantía implícita, o la exclusión o limitación de los daños incidentales o consecuentes, así que la limitación o exclusión expresada arriba puede no ser aplicable a usted.

Esta garantía le da a usted derechos legales específicos y usted puede también tener otros derechos que varían de estado a estado.

Esta garantía es nula por cualquier daño a esta llave que sea el resultado del mal uso, abuso, negligencia, accidente, instalación impropia, cualquier uso en violación de las instrucciones suministradas por nosotros o cualquier uso de piezas de repuesto que no sean piezas genuinas Delta.

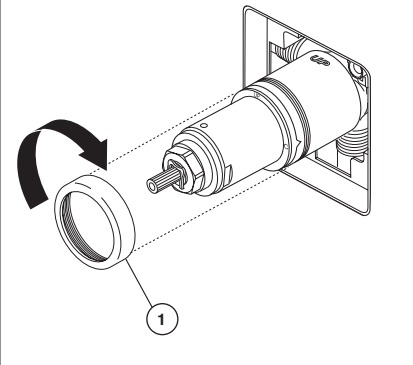
## 1 Instalación del Cartucho

**A.**



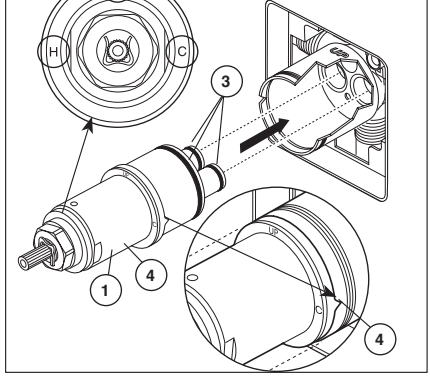
**Cierre los suministros de agua.** Retire la cubierta (1), la tuerca tapa (2) y la tapa de prueba (3) del cuerpo. Coloque un balde o recipiente pequeño en la parte del frente del cuerpo de la válvula y lentamente abra el suministro de agua para eliminar cualquier residuo de las líneas de agua antes de instalar el cartucho. Cierre, de nuevo, el suministro de agua. Si no es para una instalación en pared delgada, puede quitar el protector de yeso completo (4). Si la rejilla o colador (5) está en su lugar, quítela antes de instalar el cartucho.

**C.**



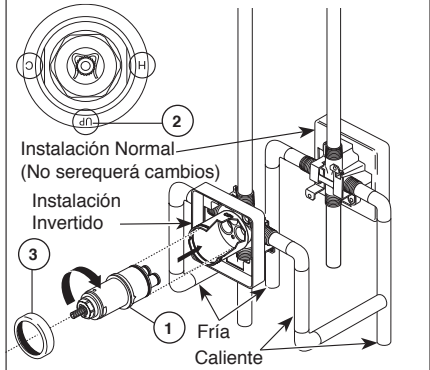
Deslice la tuerca tapa (1) sobre el cartucho y enrosque en el cuerpo de la válvula. Apriete a mano bien.

**B.**



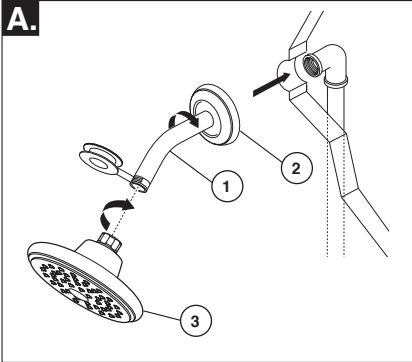
Gire el cartucho (1) de manera que la palabra "UP" (2) aparezca en la parte superior. La "H" debe estar en el lado caliente y la "C" debe estar en el lado frío. Agregue lubricante de silicón a las tres juntas tóricas (3) como se muestra más arriba para facilitar la instalación y la retirada del cartucho del cuerpo de la válvula. Inserte el cartucho en el cuerpo de la válvula como se muestra. Asegúrese que las llaves en el cuerpo están totalmente engranadas en las ranuras en el cuerpo (4).

### Instalación de Espalda a Espalda



Solo para las excepciones en instalaciones de dorso con dorso o en reverso (el agua calienten la derecha y fría en la izquierda): Gire el cartucho (1) de manera que la "H" está en el lado caliente y la "C" está en el lado frío y la palabra "UP" (2) aparece en la parte inferior. Agregue lubricante de silicón a las tres juntas tóricas (3) como se muestra más arriba para facilitar la instalación y la retirada del cartucho del cuerpo de la válvula. Inserte el cartucho en el cuerpo de la válvula como se muestra. Asegúrese que las llaves en el cuerpo están totalmente engranadas en las ranuras en el cuerpo de bronce (vea la página B). Deslice la tuerca tapa (3) sobre el cartucho y enrosque en el cuerpo. Apriete a mano bien.

## 2 Instalación de la Cabeza de la Regadera y el Surtidor de la Bañera



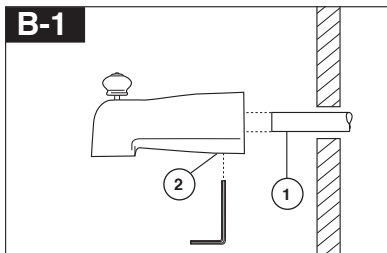
### INSTALACIÓN DE LA REGADERA / DUCHA:

Aplice cinta para plomero a las roscas en ambos extremos del brazo de la regadera (1). Para prevenir daño al acabado del brazo de la regadera, inserte el extremo de la pared del brazo de la regadera en la brida de ésta (2) antes de enrosca el brazo en la conexión a la tubería interior.

Enrosque la regadera (3) en el brazo de la regadera. No apriete la regadera demasiado.

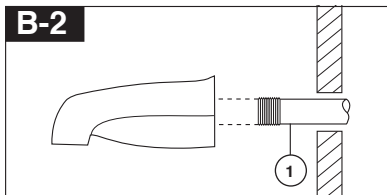
### PARA LA INSTALACIÓN DEL SURTIDOR DE LA BAÑERA:

Refiérase a las instrucciones para la instalación suministradas con su surtidor. No conecte los surtidores para las instalaciones en las superficies horizontales en las válvulas dentro de las paredes. No use las regaderas de mano en vez de un surtidor de bañera conectado a una válvula de bañera/regadera. No use tubería PEX como tubería entre la válvula y el surtidor de la bañera.



### Instalación deslizable

El tubo de cobre (1) debe ser de 1/2" de cobre nominal. Importante: Si es necesario cortar el tubo de cobre, el extremo debe biselarse que quede libre de rebabas para prevenir cortar o mellar el aro O dentro del tubo de cobre. Deslice el surtidor sobre el tubo de cobre al ras con la bañera o la superficie de la pared acabada. Apriete el tornillo de ajuste (2), pero no apriete demasiado.

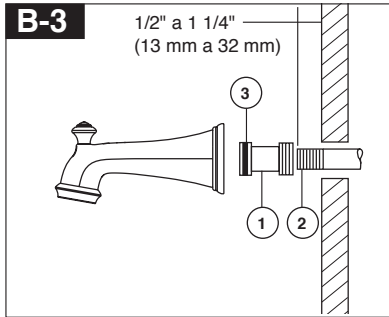


### Instalación de la tubería de Hierro

Instale una entrerroscas de tubo enroscado de 1/2" (13 mm) (1) para extenderse por delante de la pared acabada. Aplice cinta para plomero a las roscas en la entrerroscas de tubo y atornille el surtidor de la bañera.

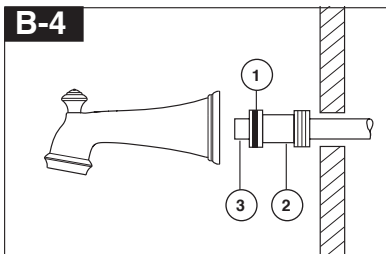


## 2 Instalación de la Cabeza de la Regadera y el Surtidor de la Bañera



### Instalación del tubo de hierro Instalación del tubo de salida de agua del easy-on universal para bañeras

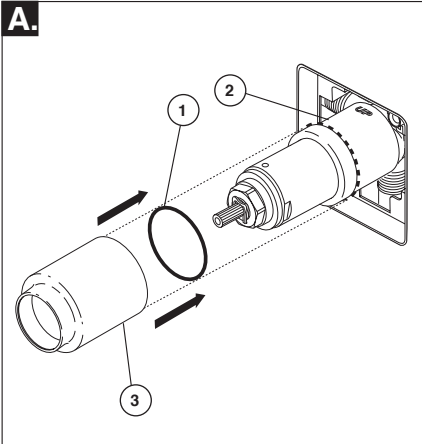
Instale la enterrosca del tubo de manera que el extremo de ésta sobresalga de la pared acabada 1/2" a 1 1/4" (13 mm a 32 mm). Aplique cinta para plomero o compuesto para tubos a las roscas del tubo. Apriete a mano el adaptador (1) a la enterrosca del tubo (2). Termine apretando con una llave de tubos estándar hasta que el sello positivo se implemente. Tenga cuidado de no dañar la muesca del anillo-O (3). La parte posterior del adaptador (1) no debe sobresalirse más de 1" (25 mm) de la superficie de la pared acabada. Apriete a mano el tubo de salida de agua de la bañera al adaptador (1) teniendo cuidado de no dañar el anillo - O (3).



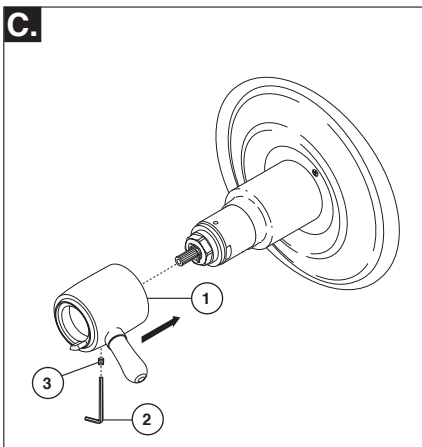
### Instalación de Soldadura de Cobre

Quite el aro O (1) del adaptador (2). Suelde el adaptador al tubo asegurando de mantener la soldadura lejos de las muescas del aro O. **AVISO: NO SE PERMITE SOLDAR EN EL DIAMETRO EXTERIOR DEL ADAPTADOR ADJUNTO A LA MUESCA DEL ARO O.** Corte el tubo (3) y coloque otra vez el aro O en la muesca del adaptador de latón. Atornille la bañera/surtidor al adaptador, asegurando no dañar el aro O, y apriete a mano bien hasta que el surtidor quede firmemente contra la pared acabada y no quede flojo detrás de la pared.

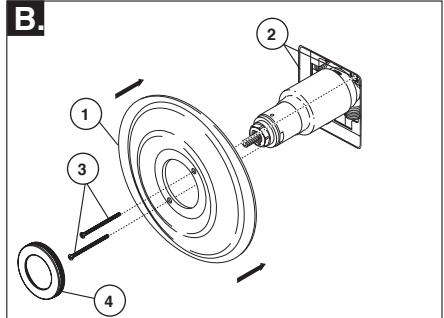
## 3 Instalación Final



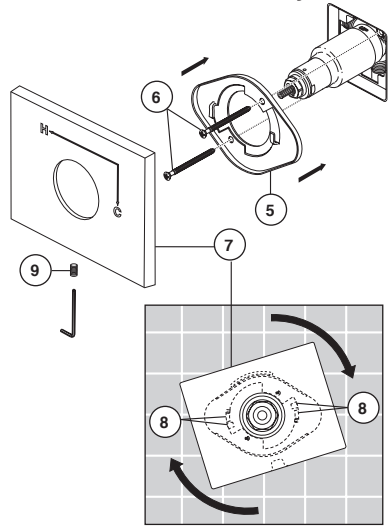
Deslice el aro O (1) sobre el cartucho y la tuerca tapa (2). El aro O, el cual funciona como un separador para estabilizar la manga, debe quedar apoyado en la tuerca tapa. Deslice la manga (3) sobre el cartucho, el cuerpo de la pieza y el aro O.



Instale la manija de control de volumen (1) con la palanca a la derecha, usando una llave Allen (2) de asegurar con el tornillo de presión (3).



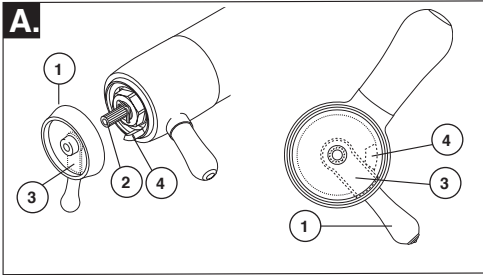
**La instalación de la roseta para los modelos T17T053, T17T253, T17T453 T17T067, T17T267 y T17T467.**



Fije la roseta con orificio (1) al soporte (2) usando los 2 tornillos suministrados (3). No apriete demasiado los tornillos de la roseta. **Si está instalando the Cassidy Modelos T17T097, T17T297 y T17T497:** Gira la tapa (4) en la cubierta de orificio (1).

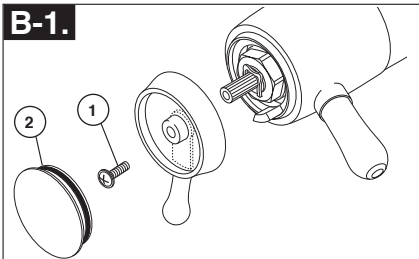
**Para los modelos T17T053, T17T253, T17T453, T17T067, T17T267 y T17T467:** Instale el soporte (5) sobre el cuerpo del cartucho usando los 2 tornillos incluidos (6). Instale la chapa de base (7) colocándola sobre el soporte como se muestra y girándola para que encaje en las muescas (8). Fije la chapa de base al soporte usando el tornillo de ajuste (9).

## 4 Instalación y Ajuste del Pomo de Temperatura El no hacerlo puede causar lesión.

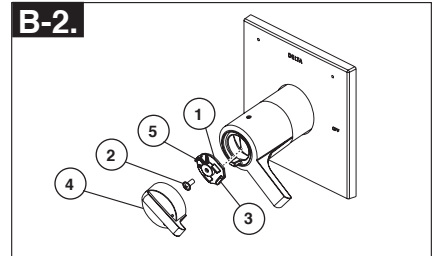


**A. ¡Ajuste el tope del límite de temperatura!**  
Abra los suministros de agua; **DEJE QUE CORRA EL AGUA CALIENTE Y FRÍA TOTALMENTE ABIERTA PARA ASEGURAR QUE EL AGUA ESTÁ FLUYENDO LO MÁS CALIENTE/FRÍA POSIBLE.** Coloque un termómetro en un vaso plástico, y sostenga el vaso bajo un chorro de agua. Coloque la perilla de la temperatura (1) en las ranuras (2), y gire la perilla de la temperatura hacia la izquierda hasta alcanzar su máxima temperatura deseada de salida de agua (no más de 120° o la temperatura más baja autorizada por su código de plomería local). Si la temperatura máxima no se alcanza antes de llegar al tope del límite (3) en el control de

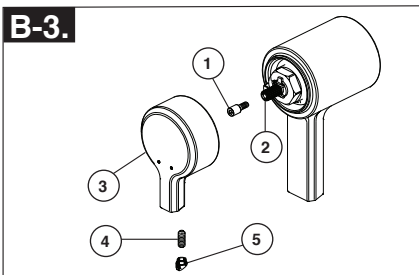
la temperatura (1) donde tropieza con el tope del límite rotacional (4) en la manija del control de volumen. Retire la perilla del control de temperatura (1) de las ranuras (2). Gire la perilla del control de temperatura (1) hacia la derecha. Coloque la perilla del control de temperatura (1) otra vez en las ranuras (2) y continúe girando hacia la izquierda hasta que alcanza la temperatura máxima deseada. Quite el pomo de la temperatura (1) y colóquela otra vez en las ranuras (2), asegurándose que el pomo del tope del límite de la temperatura (3) pegue contra la manija del tope del límite del volumen (4) como se muestra.



Fije el pomo de la temperatura usando un tornillo (1) y coloque la tapa (2) en el pomo.



Fije la perilla para el control de la temperatura (1) con un tornillo (2). Gancho (3) delantero coloque la perilla para el control de couverture (4) encima de perilla (1) antes de la participación parte trasera instantánea (5).



Fije la perilla para el control de la temperatura (1) con un tornillo (2). Gancho (3) delantero coloque la perilla para el control de couverture (4) encima de perilla (1) antes de la participación parte trasera instantánea (5).

**5** Si la ducha está bloqueado o restringido, puede resultar posiblemente quemadura o lesión (por ejemplo, cesa a contral la ducha). Asegúrese salir ducha cuando encender otra vez el flujo o instalar válvulas para evitar lesión posible.

## Limpeza y Cuidado de su Llave

Tenga cuidado al ir a limpiar este producto. Aunque su acabado es sumamente durable, puede ser afectado por agentes de limpieza o para pulir abrasivos. Para limpiar su llave, simplemente frótelas con un trapo húmedo y luego séquela con una toalla suave.

**¡ADVERTENCIA! No se puede usar SCRUBBING BUBBLES® BATHROOM CLEANER o LYSOL® BASIN TUB AND TILE CLEANER en las manijas transparentes.** El uso de estos productos pueden resultar en manijas rajados o severamente dañados. Si estos productos caen sobre la manija, séquelo inmediatamente con una toalla de algodón suave.

## Mantenimiento

### No recibe más de un goteo de agua:

Ambas líneas de suministro de agua, la caliente y la fría, deben estar presurizadas. Si sólo un lado está presurizado, el sistema no permitirá el flujo adecuado de agua.

### Si la llave tiene fugas desde la regadera / ducha:

Retire la cabeza de la regadera luego, cierre y abra el flujo de agua y verifique si el cartucho tiene alguna fuga o si la regadera está escurriéndose lentamente (si el agua dreña lentamente, puede ser necesario limpiar la cabeza de la regadera).

**Si la filtración o fuga persiste -CIERRE LOS SUMINISTROS DE AGUA** Cambie el cartucho - RP47201.

### No se puede establecer o mantener la temperatura del agua mixta:

CIERRE LOS SUMINISTROS DE AGUA. Retire el ensamble de la manija, la manga, y la tuerca tapa. Asegúrese que la marca "H" en el cartucho quede alineada con la entrada de agua caliente y la marca "C", en el cartucho, quede alineada con la entrada del agua fría al cuerpo de la válvula. El cartucho termostático no puede funcionar si las entradas de

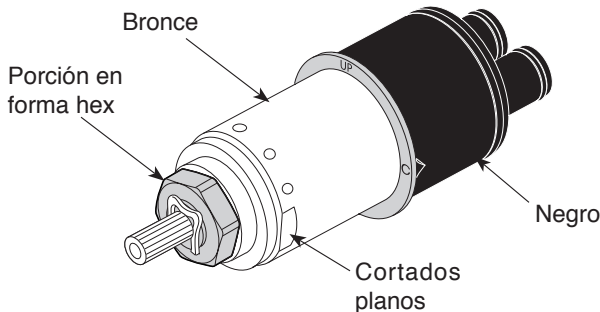
agua fría y caliente están invertidas.

**Flujo bajo:** el flujo bajo puede ser por causa de obstrucciones en los filtros dentro del cartucho termostático. Para limpiar las rejillas o filtros del agua caliente y fría en el cartucho, siga los siguientes pasos:

1. CIERRE LOS SUMINISTROS DE AGUA.
2. Retire el ensamble de la manija.
3. Desatornille la porción en forma hexagonal del cartucho de la sección de bronce del cartucho. La sección de bronce debe mantenerse fija por los cortados planos mientras que la sección hexagonal se gira hacia la izquierda. Si no fija la sección de bronce mientras que gira la parte hexagonal puede resultar en daño al cartucho. (Vea la ilustración a continuación)
4. Limpie cuidadosamente los residuos de los filtros bajo el chorro de agua. Si los residuos son difíciles de eliminar, entonces deje los filtros remojando durante la noche en una solución del 50% de agua y 50% de vinagre.
5. Vuelva a ensamblar el cartucho.
6. Vuelva a colocar la manija.
7. Abra el flujo de agua otra vez.
8. Restablezca el tope del límite antes de utilizar la válvula.

## Hoja resumen de referencia para el cartucho

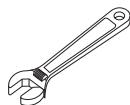
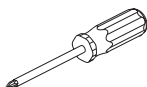
17T



**Ordene el Repuesto RP47201 para cambiar el cartucho.**

Inscrivez le numéro de modèle ici.

#### Articles dont vous pouvez avoir besoin:



#### Table des matières

|   |             |
|---|-------------|
| Garanties .....                                   | Page 2      |
| Instructions d'installation .....                 | Pages 3 - 7 |
| Instructions de nettoyage .....                   | Page 8      |
| Maintenance .....                                 | Page 8      |
| Fiche de référence sommaire de la cartouche ..... | Page 8      |

**Pour commander des pièces de rechange, visitez [www.deltafaucet.com](http://www.deltafaucet.com)**

**ATTENTION:** L'installateur doit régler l'appareil pour que la température maximale de l'eau chaude soit sans danger. Toute modification des réglages peut entraîner une élévation de la température à la sortie du robinet au delà de la température sans danger et pourrait causer un échaudage.

**AVIS À L'INSTALLATEUR: ATTENTION!** – En qualité d'installateur, vous êtes tenu d'INSTALLER et de RÉGLER ce robinet conformément aux instructions. Ce robinet ne s'adapte pas automatiquement aux fluctuations de la température de l'eau d'alimentation. Par conséquent, il faut régler la le bouton de température au moment de l'installation et il peut être nécessaire de faire de nouveaux réglages par la suite en raison des fluctuations saisonnières de la température de l'eau. VOUS DEVEZ informer le propriétaire ou l'utilisateur de cette exigence. En cas de doute quant à la marche à suivre pour faire ces réglages, veuillez consulter page 7 si un doute persiste, et si cette incertitude persiste, appelez-nous au 1-800-345-DELTA.

Après avoir terminé l'installation et le réglage, vous devez inscrire, sur l'étiquette de mise en garde fournie, votre nom, le nom de votre entreprise et la date à laquelle vous avez réglé la le bouton de température, puis fixer l'étiquette à l'endos de

la porte de la coiffeuse. Vous devez également fixer l'étiquette d'avertissement au chauffe-eau. **Veillez laisser ce feuillet d'instructions au propriétaire ou à l'utilisateur pour qu'il puisse le consulter au besoin. MISE EN GARDE –** Ce robinet thermostatique à équilibrage de pression pour baignoire est conçu pour limiter les effets des fluctuations de température de l'eau causées par les variations de la pression d'alimentation attribuables au fonctionnement d'un lave-vaisselle, d'une machine à laver, d'un cabinet d'aisances ou d'un autre appareil qui consomme de l'eau. Il peut ne pas protéger l'utilisateur contre l'échaudage en cas de défectuosité d'un autre dispositif de régulation de la température, si le réglage de la du bouton de température est mauvais, si la température de l'eau chaude a été modifiée après que les réglages ont été effectués ou si la température de l'eau d'alimentation a changé en raison du changement de saison. **MISE EN GARDE –** N'installez pas de dispositif d'arrêt sur une sortie quelconque de ce robinet. En interrompant l'écoulement de l'eau, ce dispositif peut empêcher le robinet d'équilibrer les pressions d'eau chaude et d'eau froide.

## Garantie à vie limitée des robinets et de leurs finis

### Pièces et finis

Toutes les pièces (à l'exception des composants électroniques et des piles) et tous les finis de ce robinet Delta® sont protégés contre les défauts du matériau et les vices de fabrication par une garantie qui est consentie au premier acheteur et qui demeure valide tant que celui-ci demeure propriétaire de la maison dans laquelle le robinet a été installé. Dans le cas d'une utilisation commerciale, la garantie est de 5 ans à compter de la date d'achat.

### Composants électroniques et piles (le cas échéant)

Si ce robinet Delta® comporte des composants électroniques, ces composants (à l'exception des piles) sont protégés contre les défauts du matériau et les vices de fabrication par une garantie consentie au premier acheteur qui est d'une durée de 5 ans à compter de la date d'achat. Dans le cas d'une utilisation commerciale, la garantie est d'un an à compter de la date d'achat. Aucune garantie ne couvre les piles.

Delta Faucet Company remplacera, GRATUITEMENT, pendant la période de garantie applicable, toute pièce ou tout fini qui présentera une défectuosité du matériau et/ou un vice de fabrication pour autant que le robinet ait été installé, utilisé et entretenu normalement. S'il est impossible de réparer ou de remplacer le robinet, Delta Faucet Company pourra décider de rembourser le prix d'achat du produit pour autant que celui-ci lui soit retourné. **Il s'agit de vos seuls recours.**

Delta Faucet Company recommande de confier l'installation et la réparation à un plombier professionnel. Nous vous recommandons également d'utiliser uniquement des pièces de rechange authentiques Delta®.

Delta Faucet Company se dégage de toute responsabilité à l'égard des dommages causés au robinet en raison d'un mauvais usage, d'un usage abusif, de la négligence ou de l'utilisation d'une méthode d'installation, de maintenance ou de réparation incorrecte ou inadéquate, y compris les dommages résultant du non-respect des instructions de nettoyage et d'entretien applicables. Garantie limitée des robinets Delta® Pour obtenir des pièces de rechange, veuillez appeler au numéro applicable ci-dessous ou écrire à l'adresse applicable ci-dessous.

### Aux États-Unis et au Mexique :

Delta Faucet Company  
Product Service  
55 E. 111th Street  
Indianapolis, IN 46280 St.  
1-800-345-DELTA (3358)  
customerservice@deltafaucet.com

### Au Canada:

Masco Canada Limited, Plumbing Group  
Thechnical Service Centre  
350 South Edgware Road  
Thomas, Ontario, Canada N5P 4L1  
1-800-345-DELTA (3358)  
customerservice@mascocanada.com

La preuve d'achat (reçu original) du premier acheteur doit être présentée à Delta Faucet Company pour toutes les demandes en vertu de la garantie, sauf si le produit a été enregistré auprès de Delta Faucet Company. La présente garantie s'applique uniquement aux robinets Delta® fabriqués après le 1er janvier 1995 et installés aux États-Unis d'Amérique, au Canada et au Mexique. DELTA FAUCET COMPANY SE DÉGAGE DE TOUTE RESPONSABILITÉ À L'ÉGARD DES DOMMAGES PARTICULIERS, CONSÉCUTIFS OU INDIRECTS (Y COMPRIS LES FRAIS DE MAIN-D'OEUVRE) QUI POURRAIENT RÉSULTER DE LA VIOLATION D'UNE GARANTIE IMPLICITE OU EXPLICITE QUELCONQUE SUR LE ROBINET. Dans les États ou les provinces où il est interdit de limiter ou d'exclure la responsabilité à l'égard des dommages particuliers, consécutifs ou indirects, les limites et les exclusions susmentionnées ne s'appliquent pas.

La présente garantie vous donne des droits précis qui peuvent varier selon l'État ou la province où vous résidez. La présente garantie écrite est la garantie exclusive offerte par Delta Faucet Company et elle n'est pas transférable.

Si vous avez des questions ou des préoccupations en ce qui concerne notre garantie, veuillez consulter la page Warranty FAQs à [www.deltafaucet.com](http://www.deltafaucet.com), faire parvenir un courriel à [customerservice@deltafaucet.com](mailto:customerservice@deltafaucet.com) ou nous appeler au numéro applicable.

## Garantie Limitée sur les Robinets Ultra-Robustes Delta de la Série HDF

Toutes les pièces des robinets ultra-robustes Delta de la série HDF sont protégées contre les défauts du matériau et les vices de conception par une garantie qui est consentie au premier acheteur pour une période de cinq (5) ans. Cette garantie entre en vigueur à compter de la date d'achat indiquée sur le reçu de l'acheteur.

Pendant la période de garantie, Delta remplacera, SANS FRAIS, toute pièce présentant une défectuosité du matériau et (ou) un vice de fabrication pour autant que l'appareil ait été installé, utilisé et entretenu correctement. Pour obtenir des pièces de rechange, veuillez communiquer avec le distributeur ou le concessionnaire de votre région dont le nom figure dans l'annuaire téléphonique ou retourner la pièce défectueuse accompagnée du reçu de l'acheteur à notre usine, PORT PAYÉ, à l'adresse indiquée. LA PRÉSENTE GARANTIE EST LA SEULE GARANTIE IMPLICITE OFFERTE PAR DELTA. TOUTE RÉCLAMATION EN VERTU DE CETTE GARANTIE DOIT ÊTRE FAITE AU COURS DE LA PÉRIODE DE CINQ ANS SUSMENTIONNÉE. TOUTE GARANTIE IMPLICITE, Y COMPRIS LA GARANTIE IMPLICITE DE QUALITÉ MARCHANDE OU

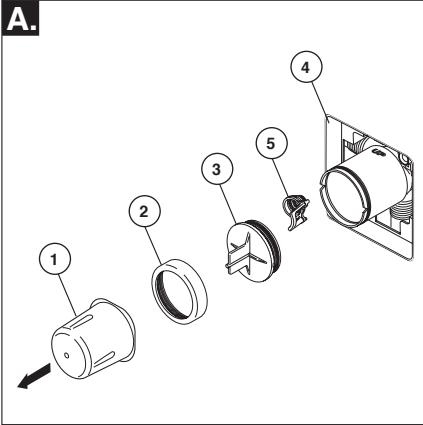
D'ADÉQUATION DU PRODUIT AVEC UN USAGE PARTICULIER, EST LIMITÉE À LA DURÉE DE LA PRÉSENTE GARANTIE. LES FRAIS DE MAIN-D'OEUVRE ET (OU) LES DOMMAGES PROVOQUÉS AU COURS DE L'INSTALLATION, DE LA RÉPARATION OU DU REMPLACEMENT D'UN ÉLÉMENT AINSI QUE LES PERTES OU LES DOMMAGES INDIRECTS EN RÉSULTANT NE SONT PAS COUVERTS PAR CETTE GARANTIE.

Là où il est interdit de limiter la durée de la garantie implicite ou les responsabilités à l'égard des dommages indirects, les exclusions et les limites susmentionnées ne s'appliquent pas.

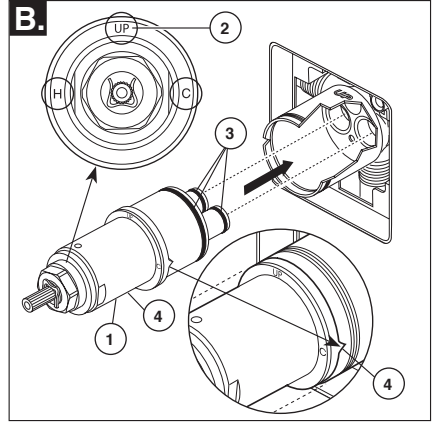
La présente garantie vous donne des droits précis qui peuvent varier selon votre lieu de résidence.

Les dommages résultant d'une mauvaise utilisation, d'une utilisation abusive, de la négligence, d'un accident, d'une mauvaise installation, du non respect de nos instructions ou de l'utilisation de pièces de rechange autres que des pièces d'origine Delta ne sont pas couverts par la garantie.

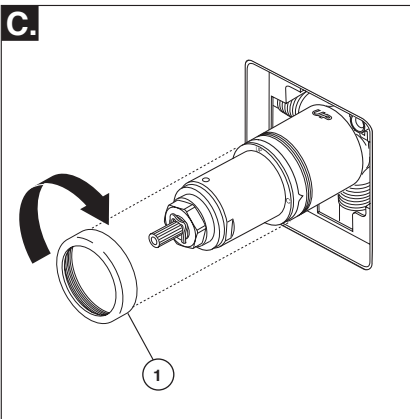
## 1 Installation de la cartouche.



**Fermez les robinets d'arrêt.** Enlevez le couvercle (1), l'écrou-chapeau (2) et le capuchon d'essai (3) du corps. Placez un seau ou un petit contenant sur l'avant du corps de soupape et ouvrez lentement les robinets d'arrêt pour évacuer les corps étrangers de la tuyauterie avant d'installer la cartouche. Fermez de nouveau les robinets d'arrêt. Si le corps n'est pas monté dans un mur mince, vous pouvez enlever le protecteur (4) au complet. Si le filtre métallique (5) est en place, enlevez-le avant d'installer la cartouche.

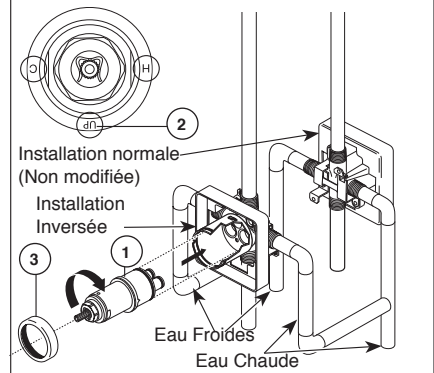


Tournez la cartouche (1) de sorte que le mot « UP » (2) se trouve sur le dessus. La lettre « H » doit se trouver du côté eau chaude et la lettre « C », du côté eau froide. Ajoutez du lubrifiant à base de silicone aux trois joints toriques (3) montrés ci-dessus pour faciliter la pose de la cartouche dans le corps de soupape et sa dépose. Introduisez la cartouche dans le corps de la soupape comme le montre la figure. Assurez-vous que les ergots sont parfaitement engagés dans les rainures du corps (4).



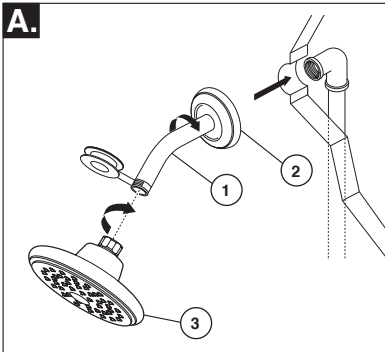
Faites glisser l'écrou à portée sphérique (1) sur la cartouche et vissez-le sur le corps. Serrez à la main fermement.

### Installation dos à dos



Dans le cas d'une installation dos à dos ou inversée (eau chaude à droite et eau froide à gauche) seulement : tournez la cartouche (1) de sorte que la lettre « H » se trouve du côté eau chaude, la lettre « C », du côté eau froide et le mot « UP » (2), sur le dessus. Ajoutez du lubrifiant à base de silicone aux trois joints toriques montrés ci-dessus pour faciliter la pose de la cartouche dans le corps de soupape et sa dépose. Installez la cartouche en prenant soin d'introduire les ergots entièrement dans les rainures du corps de laiton (reportez-vous à l'étape B). Glissez l'écrou-chapeau (3) sur la cartouche et vissez-le sur le corps. Serrez-le à la main solidement.

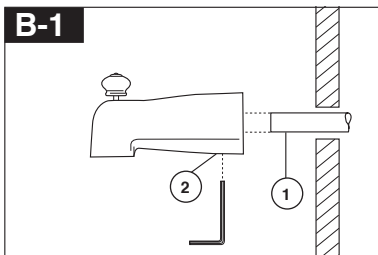
## 2 Installation de la pomme de douche et du bec de baignoire



**INSTALLATION DE LA POMME DE DOUCHE:** appliquez du ruban de plomero sur les filetages aux deux extrémités du bras de douche (1). Pour éviter d'endommager le fini du bras de douche, introduisez le côté mur de celui-ci dans la collerette de douche (2) avant de le visser dans le raccord du tuyau ascendant. Vissez la pomme de douche (3) sur le bras de douche. Évitez de serrer la pomme de douche excessivement.

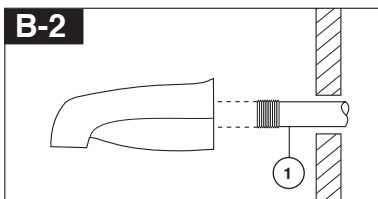
### INSTALLATION DU BEC DE BAINOIRE:

Consultez les instructions d'installation fournies avec le bec. Ne raccordez pas à une soupape murale à un bec conçu pour être monté sur une plage. Ne raccordez pas une douche à main à la sortie d'un robinet de baignoire-douche prévue pour un bec de baignoire. N'utilisez pas de tube PEX pour raccorder le bec.



#### Installation d'un bec coulissant

Le tube de cuivre (1) doit avoir un diamètre nominal de 1/2 po. Important : Si vous devez couper le tube de cuivre, chanfreinez son extrémité de sorte qu'elle ne risque pas d'endommager le joint torique à l'intérieur du bec. Faites glisser le bec sur le tube de cuivre de sorte qu'il s'appuie contre la surface finie de la baignoire ou du mur. Serrez la vis de calage (2), mais prenez garde de la serrer excessivement.

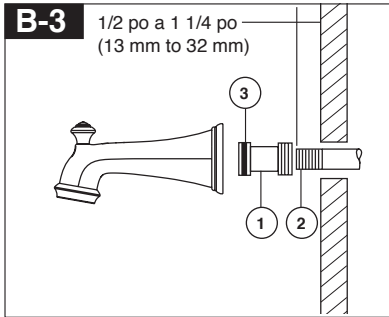


#### Installation à l'aide d'un tuyau de fer

Installez le manchon fileté (1) 1/2 po (13 mm) de manière que sa saillie par rapport à la surface finie du mur. Appliquez du ruban de plomberie sur les filets du manchon et fixez celui-ci au bec de baignoire en vissant.



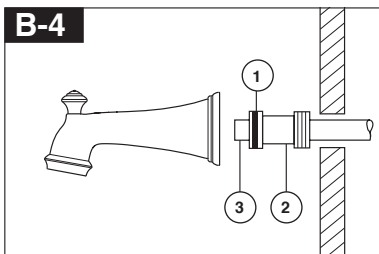
## 2 Installation de la pomme de douche et du bec de baignoire



### Installation sur un tuyau de fer Installation du bec de baignoire polyvalent easy-on

Installez le manchon fileté de manière qu'il présente une saillie de 1/2 à 1 1/4 po (13 mm à 32 mm) par rapport à la surface finie du mur. Appliquez du ruban de plomberie ou du composé à filetage sur les filets. Montez l'adaptateur (1) sur le manchon (2) et serrez-le à la main. Finissez ensuite le serrage à l'aide d'une clé à tube pour rendre le joint étanche. Prenez garde d'abîmer le rainure du joint torique (3). Les dos de l'adaptateur (1) ne doit pas se trouver à plus de 1 pouce (25 mm) par rapport à la surface finie du mur.

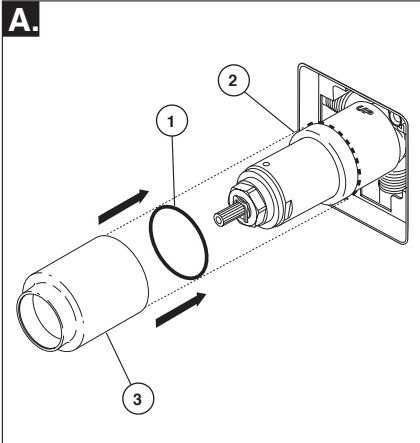
Montez le bec de baignoire sur l'adaptateur (1) et serrez-le à la main en prenant soin de ne pas abîmer le joint torique (3).



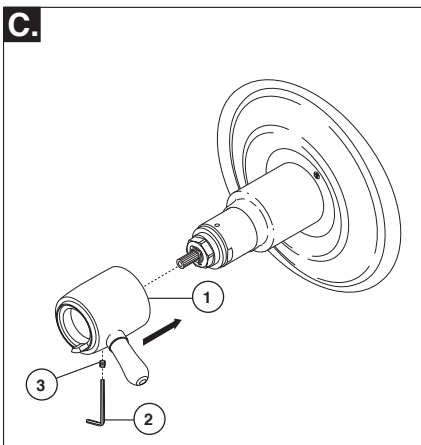
### Installation à l'aide d'un tuyau de cuivre brasé

Retirez le joint torique (1) de l'adaptateur (2). Braisez l'adaptateur au tube en prenant garde d'échapper du métal d'apport dans la rainure pour le joint torique. ATTENTION : IL NE DOIT PAS Y AVOIR DE MÉTAL D'APPORT SUR LA CIRCONFÉRENCE EXTÉRIEURE DE L'ADAPTATEUR PRÈS DE LA RAINURE POUR LE JOINT TORIQUE. Coupez le tube (3) et remettez le joint torique en place dans la rainure de l'adaptateur en laiton. Vissez le bec de baignoire sur l'adaptateur et prenez garde d'abîmer le joint torique. Serrez le bec à la main jusqu'à ce qu'il s'appuie solidement contre la surface finie de la paroi et qu'il n'y ait plus de jeu derrière le mur.

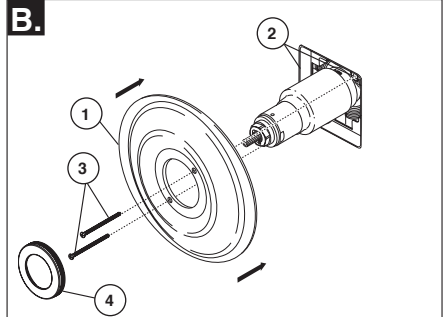
## 3 Installation des pièces de finition



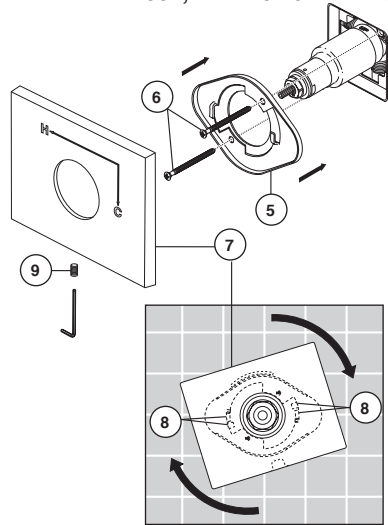
Faites glisser le joint torique (1) sur la cartouche et l'écrou à portée sphérique (2). Le joint sert de pièce d'espacement et il stabilise le manchon; il doit se trouver derrière l'écrou à portée sphérique. Faites glisser le manchon (3) sur la cartouche, le corps et le joint torique.



Installez la poignée de commande de volume (1) avec le levier vers la droite, utilisant une clé Allen (2) de fixer avec la vis de réglage (3).



**Installation de la rosace pour les modèles T17T053, T17T253, T17T453 T17T067, T17T267 et T17T467.**



Fixez la rosace (1) sur le support (2) à l'aide des 2 vis fournies (3). Prenez garde de serrer les vis de la rosace excessivement.

**Si vous installez Cassidy Modèles T17T097, T17T297 & T17T497:** Enfilez le couvercle (4) sur l'écusson (1).

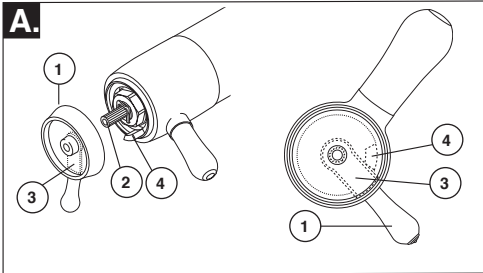
**Pour les modèles T17T053, T17T253, T17T453, T17T067, T17T267 et T17T467:**

Montez la fixation (5) sur le corps de la cartouche à l'aide des 2 vis fournies (6). Installez la plaque de finition (7) en la plaçant sur la fixation comme le montre la figure et tournez-la pour bloquer les pattes (8). Fixez la plaque de finition à la fixation à l'aide de la vis de calage (9).

## 4

### Installation et réglage du bouton de température

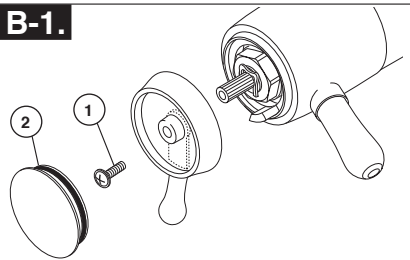
Il y a risque de blessure si le bouton de température n'est pas réglé.



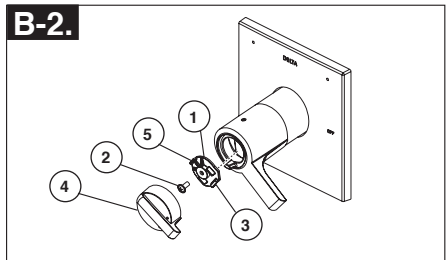
#### Réglez la butée limitatrice de température!

Rétablissee l'alimentation en eau. LAISSEZ COULER CHAUDE JUSQU'À CE QU'ELLE SOIT AUSSI CHAUDE QUE POSSIBLE ET FAITES DE MÊME POUR L'EAU FROIDE. Placez un thermomètre dans un gobelet en plastique et tenez le gobelet sous le jet d'eau. Placez le bouton de température (1) sur les cannelures (2), puis tournez-le dans le sens antihoraire jusqu'à ce que l'eau soit à la température maximale voulue (pas plus de 120° ou température plus basse exigée par le code de plomberie local). Si l'eau n'atteint pas la température maximale avant que la butée de température maximale (4) sur le

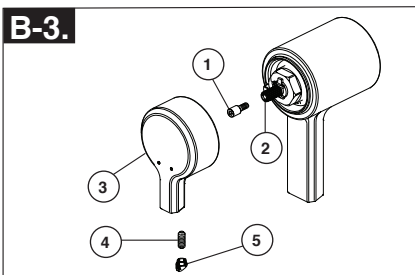
bouton de température (1) n'atteigne la butée de température maximale (4) sur la manette de débit, retirez le bouton de réglage de température (1) des cannelures (2). Tournez le bouton de réglage de température (1) dans le sens horaire. Remplacez le bouton de réglage de température (1) sur les cannelures (2) et continuez de le tourner dans le sens antihoraire jusqu'à ce que l'eau soit à la température maximale voulue. Enlevez le bouton de température (1) et remplacez-le sur les cannelures (2) en vous assurant que la butée limitatrice de température (3) s'appuie contre la butée de la manette de débit (4) comme le montre la figure.



Fixez le bouton de température à l'aide de la vis (1) et placez le capuchon (2) sur le bouton.



Fixez le bouton de réglage de température (1) avec la vis (2) et, accrocher avant ou poussant fermement sur calez le couvercle (3) sur bouton avant de engageant arrière bouton (1).



Fixez la vis d'espacement (1) à la tige de soupape (2). Glissez la manette de réglage de température (3) en place sur la vis d'espacement (1) et fixez-la à l'aide de la vis de calage (4). Recouvrez le trou avec le bouton décoratif (5).

## 5

La brûlure potentielle ou la blessure de choc thermique pourraient résulter du flux si la sortie à la douche est bloquée ou restreint (par exemple, le contrôle de pause sur douche). Assurez-vous de diriger la douche loin de vous en reprenant le flux ou installer des valves de contrôle d'admission sur les deux conduites d'alimentation pour empêcher la blessure possible.

## Instructions de nettoyage

Il faut le nettoyer avec soin. Même si son fini est extrêmement durable, il peut être abîmé par des produits fortement abrasifs ou des produits de polissage. Il faut simplement le frotter doucement avec un chiffon humide et le sécher à l'aide d'un chiffon doux.

**AVERTISSEMENT: N'employez pas le nettoyant pour salle de bain Scrubbing Bubbles® ni le Nettoyant de Lavabos,**

**de Baignoires et de Carreaux Lysoi®** sur les manettes et les poignées sphériques transparentes. Ces produits peuvent faire fissurer les poignées et les manettes ou les abîmer gravement. Si ces poignées ou ces manettes sont aspergées accidentellement par l'un ou l'autre des produits mentionnés, les essuyer immédiatement à l'aide d'un chiffon de coton doux.

## Maintenance

### Évitez de serrer la pomme de douche excessivement.

Les conduites d'eau chaude et en eau froide doivent être toutes les deux sous pression. Si seulement un côté est sous pression, le débit d'eau à la sortie du système sera insuffisant.

**La pomme de douche fuit :** retirez la pomme de douche, puis ouvrez et fermez les robinets d'arrêt et vérifiez si la cartouche fuit ou si la pomme de peut avoir besoin d'un nettoyage si elle se vide lentement.

**Si la fuite persiste - FERMEZ LES ROBINETS D'ARRÊT.**

Remplacez la cartouche - RP47201.

### Incapacité de régler ou de maintenir la température de l'eau mitigée :

**FERMEZ LES ROBINETS D'ARRÊT.** Retirez la manette, le manchon de finition et l'écrou-chapeau. Assurez-vous que la lettre « H » qui figure sur la cartouche est orientée vers l'entrée d'eau chaude et que la lettre « C » est orientée vers l'entrée d'eau froide du corps de soupape. La cartouche thermostatique ne fonctionnera pas si l'entrée d'eau

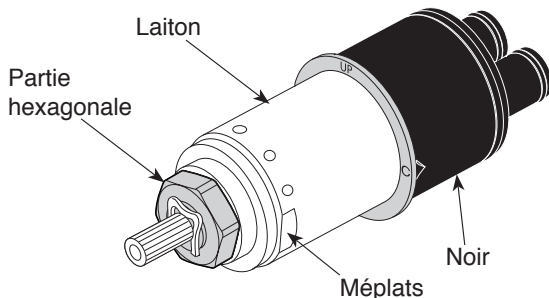
chaude et l'entrée d'eau froide sont inversées.

**Faible débit:** un faible débit peut être attribuable à des filtres métalliques obstrués à l'intérieur de la cartouche thermostatique.

1. FERMEZ LES ROBINETS D'ARRÊT.
2. Enlevez la manette.
3. Dévissez la partie hexagonale de la cartouche de la section en laiton de la cartouche. Tenez solidement la section en laiton par les méplats pendant que vous tournez la partie hexagonale dans le sens antihoraire. Si vous ne tenez pas la section en laiton assez solidement, la cartouche risque d'être endommagée. (Voir l'illustration ci-dessous).
4. Nettoyez soigneusement les filtres métalliques en faisant couler de l'eau au travers pour évacuer les saletés. Si les saletés sont difficile à enlever, faites tremper les filtres métalliques toute la nuit dans une solution composée à part égales d'eau et de vinaigre.
5. Remontez la cartouche.
6. Remontez la manette.
7. Ouvrez les robinets d'arrêt.
8. Remettez la butée de température maximale à sa position initiale avant d'utiliser la soupape.

## Fiche de référence sommaire de la cartouche

17T



**Commandez le kit RP47201  
pour remplacer la cartouche.**

**Notes / Notas / Notes**

**Notes / Notas / Notes**

**Notes / Notas / Notes**



Delta Faucet Company  
Product Service  
55 E. 111th Street  
Indianapolis, IN 46280

---





50353

MULTICHOICE® ROUGH-IN BODY

PIEZAS PARA LA INSTALACIÓN INTERNA MULTICHOICE®

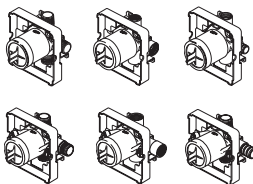
CORPS DE ROBINET MULTICHOICE®



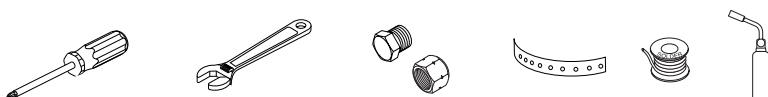
ASME A112.18.1 / CSA B125.1

Model/Modelo/Modèle  
R10000  
Series/Series/Seria

Write purchased model number here.  
Escriba aquí el número del modelo comprado.  
Inscrivez le numéro de modèle ici.



You may need/Usted puede necesitar/Articles dont vous pouvez avoir besoin:



For easy installation of your Delta® faucet you will need:

- To **READ ALL** the instructions completely before beginning.
- To **READ ALL** warnings, care, and maintenance information.

**THIS ROUGH-IN BODY MEETS OR EXCEEDS THE FOLLOWING STANDARDS:**  
ASME A112.18.1 / CSA B125.1.

**NOTICE TO INSTALLER: CAUTION!**—As the installer of this rough-in body, it is your responsibility to properly **INSTALL** this rough-in body per the instructions given. **YOU MUST inform the owner/user of this requirement by following the instructions.** If you or the owner/user are unsure how to properly install this rough-in body, please refer to the instructions supplied and if still uncertain, call us at 1-800-345-DELTA. Leave this Instruction Sheet for the owner's/user's reference.

Para instalación fácil de su llave Delta® usted necesitará:

- **LEER TODAS** las instrucciones completamente antes de empezar
- **LEER TODOS** los avisos, cuidados, e información de mantenimiento.

**ESTA VALVULA CUMPLE O EXCEDE LAS SIGUIENTES NORMAS:**  
ASME A112.18.1 / CSA B125.1.

**AVISO AL INSTALADOR: ¡PRECAUCIÓN!**— Como instalador de la tubería interna - dentro de la pared/piso, es su responsabilidad **INSTALAR** esta pieza correctamente como se describe en las instrucciones que le damos. **USTED DEBE informarle al propietario/usuario, siguiendo las instrucciones dadas, de este requisito.** Si usted o el propietario/usuario no están seguros como se instalan correctamente las tuberías internas, por favor refiérase a las instrucciones proporcionadas y si todavía no está seguro, llámenos al 1-800-345-DELTA. Deje esta hoja de instrucciones como referencia para el propietario/usuario.

Pour installer votre robinet Delta® facilement, vous devez:

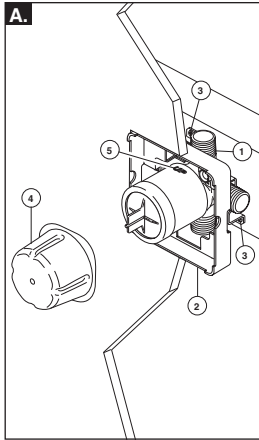
- **LIRE TOUTES** les instructions avant de débiter;
- **LIRE TOUS** les avertissements ainsi que toutes les instructions de nettoyage et d'entretien;

**CE ROBINET SATISFAIT AUX EXIGENCES DES NORMES ASME A112.18.1 / CSA B125.1 OU LES SURPASSE.**

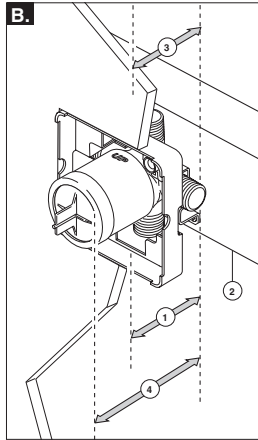
**AVIS À L'INSTALLATEUR : ATTENTION!** – En qualité d'installateur, vous est tenu de bien **INSTALLER** ce corps de robinet conformément aux instructions. **VOUS DEVEZ informer le propriétaire ou l'utilisateur de cette exigence.** En cas de doute quant à la marche à suivre pour installer ce corps de robinet, veuillez lire les instructions fournies et, au besoin, veuillez nous appeler au 1-800-345-DELTA. Veuillez laisser ce feuillet d'instructions au propriétaire ou à l'utilisateur pour qu'il puisse le consulter s'il y a lieu.

50353

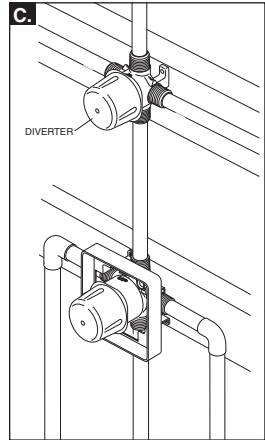
1



- A. SHUT OFF WATER SUPPLIES.** Consider the type and thickness of your finished wall before placing your stringer back plate. Install the body (1) so the surface of the finished wall is flush with the front of the plasterguard (2)  $\pm 1/4"$ . **Note: For with stops models, plasterguard must be flush or subflush  $1/4"$  to finished wall.** Mount body using the two stringer mounting holes (3) on the bracket. **Note: Remove cover (4) to access mounting holes.** Make sure the word "UP" (5) is on top of the valve body when installing.



- B.** Distance (1) from the stringer (2) to the front of the plasterguard is  $2 3/4" \pm 1/4"$  (70 mm  $\pm 6$  mm). **Note: This is the same distance to the finished wall (3).** Distance (4) from the stringer (2) to the front of the bonnet is  $3 7/8"$  (99 mm). (For reference only)  
If a thin wall is used, be sure to have the plasterguard behind the wall, otherwise the wall should always be flush with the front of the plasterguard. See instruction on the bag for thin wall mounting. **Note: For thin wall installation, RP47202 might be needed.**



- C.** The figure illustrates the diverter and MultiChoice installed in the same finished wall.

**Note: Refer to the diverter rough installation instructions for more information.**

**A. CIERRE LOS SUMINISTROS DE AGUA.**

Considere el tipo y el grosor de su pared terminada antes de colocar su placa trasera de acoplamiento de las tuberías. Instale la pieza (1) de manera que la superficie de la pared terminada quede al ras con el frente del protector de yeso (2)  $\pm 3/8"$ . **Nota: Para con los modelos de las paradas, el protector del yeso debe ser el rubor rasante o secundario el  $3/8"$  a la pared acabada.** Instale la pieza usando los dos agujeros de instalación del acoplamiento (3) en el soporte. **Nota: Quite la cubierta (4) para tener acceso a los agujeros de instalación.** Cuando esté haciendo la instalación, asegúrese que la palabra "UP" (5) quede arriba de la válvula.

- B.** La distancia (1) desde el larguero (2) al frente del protector de yeso es  $2 3/4" \pm 1/4"$  (70 mm  $\pm 6$  mm). **Nota: Esta es la misma distancia a la pared acabada (3).** La distancia (4) desde el larguero (2) en la parte delantera del capuchón o tuerca tapa de  $3 7/8"$  (99 mm). (Sólo como referencia)

Si está haciendo la instalación en una pared delgada, asegúrese tener el protector de yeso detrás de la pared, de lo contrario la pared debe siempre estar al ras con la parte delantera del protector de yeso. Lea las instrucciones en la bolsa para instalación en paredes delgadas. **Nota: Para una instalación en pared delgada, puede requerir RP47202.**

- C.** La figura muestra el desviador y MultiChoice instalado en la misma pared terminada.

**Nota: Para más información, consulte con las instrucciones de instalación preliminar del desviador.**

**A. INTERROMPEZ L'ALIMENTATION EN EAUX.**

Déterminez le type de la paroi et son épaisseur totale avant de placer la plaque arrière. Installez le corps (1) de sorte que la surface finie de la paroi soit à égalité avec l'avant du protecteur (2)  $\pm 3/8$  po. **Note : Pour avec des modèles d'arrêts, la garde de plâtre doit être l'éclat affleurant ou secondaire  $3/8$  po au mur fini.** Installez le corps utilisez les deux trous (3) de la fixation qui donnent sur l'entretoise. **Note : Enlevez le couvercle (4) pour découvrir les trous de montage.** Au moment de l'installation, assurez-vous que le mot « UP » (5) sur le dessus du corps de robinet se trouve en haut.

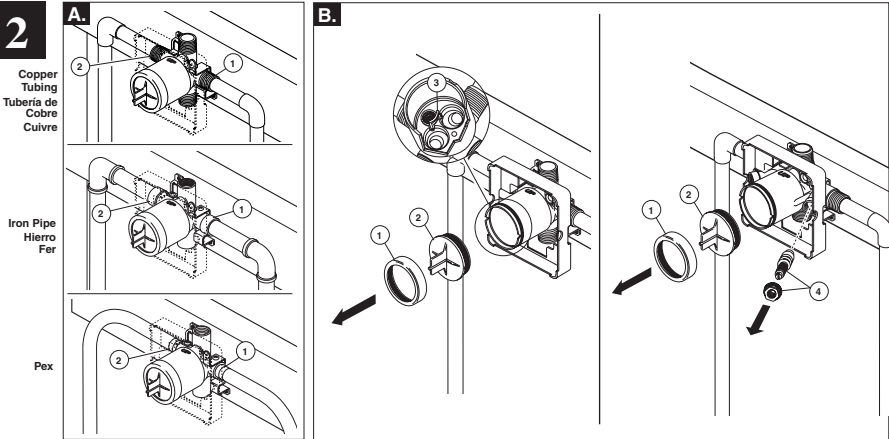
- B.** L'écart (1) entre la traverse (2) et l'avant du protecteur est de  $2 3/4$  po  $\pm 1/4$  po (70 mm  $\pm 6$  mm). **Note : L'écart est le même que par rapport au mur fini (3).** L'écart (4) entre la traverse (2) et l'avant du chapeau est de  $3 7/8"$  (99 mm) (pour référence seulement).

Si le mur est mince, vous devez placer le protecteur derrière le mur. Autrement, l'avant du protecteur doit toujours se trouver à égalité de la surface du mur fini. Consultez les instructions d'installation dans un mur mince qui se trouvent sur le sac. **Note : Dans le cas d'une installation dans un mur mince, le kit RP47202 peut être nécessaire.**

- C.** La figure montre l'inverseur et la soupape MultiChoice installés dans le même mur fini.

**Note : Consultez les instructions d'installation de la soupape de l'inverseur pour obtenir plus de renseignements.**

2



- A.** Connect valve body to water supplies using the proper fittings for your valve body type (copper tubing, iron pipe or Pex). **Note: For Pex, be sure to use the right fitting for crimping and the right tool for cold expansion.** If either of the two outlet ports is to be unused, seal the port with a pipe plug. **Note: (1) is the cold inlet port and (2) is the hot inlet port.**

If you are making a back to back or reverse installation (hot on right and cold on left) install the valve body as described, but the water supply lines will be reversed. **Note: (1) is the hot inlet port and (2) is the cold inlet port.**

- B.** Remove bonnet (1) and test cap (2) before soldering. Leave screen (3) installed. **Warning: Avoid soldering at high temperature. Exposure to high temperatures may damage screen. Be sure stops (4) are removed from the w/stops version before soldering. (Do not install before soldering.)**

- A.** Conecte el cuerpo de la válvula a los suministros de agua usando los accesorios apropiados para el tipo de su válvula (tubería de cobre, hierro o Pex). **Nota: Para Pex, asegúrese de usar el accesorio correcto para plegar y la herramienta adecuada para la expansión en frío.** Si no va a usar alguna de las dos entradas de agua, séllela con un tapón de tubería. **Nota: (1) es la entrada del agua fría y el (2) es la entrada del agua caliente.**

Si está haciendo una instalación dorso con dorso o a la inversa (caliente en la derecha y fría en la izquierda) instale el cuerpo de la válvula como se describe arriba, pero coloque al inverso las líneas de suministro de agua. **Nota: (1) es la entrada de agua caliente (2) es la entrada del agua fría.**

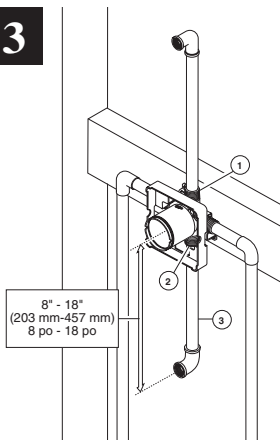
- B.** Quite la tuerca tapa (1) y la tapa de prueba (2) antes de soldar. Deje la rejilla (3) instalada. **AVISO: Evite soldar a temperaturas altas. Si se deja expuesto a temperaturas altas pudiera dañar la rejilla. Sea seguro que las válvulas apagadas (4) están quitadas de la versión con las paradas antes de soldar. (no instale antes de soldar.)**

- A.** Raccorder le corps de robinet à la tuyauterie (cuivre, fer ou Pex). **Note : Si la tuyauterie est en Pex, assurez-vous d'avoir le bon raccord pour le sertissage et le bon outil pour la dilatation à froid.** Si l'une des entrées est inutilisée, obturez-la avec un bouchon. **Note : (1) correspond à l'entrée d'eau froide et (2) correspond à l'entrée d'eau chaude.**

Dans le cas d'une installation dos à dos ou inversée (eau chaude à droite et eau froide à gauche), installez le corps de robinet de la manière indiquée ci-dessus. La tuyauterie d'alimentation doit toutefois être inversée. **Note : (1) est l'entrée d'eau chaude et (2) est l'entrée d'eau froide.**

- B.** Enlevez le chapeau (1) et le capuchon d'essai (2) avant d'effectuer le brasage. Laissez le tamis (3) en place. **Mise en garde : évitez le brasage à haute température pour ne pas abîmer le tamis. Soyez sûr que des valves coupées (4) sont enlevées de la version avec des arrêts avant la soudure. (n'installez pas avant la soudure.)**

3

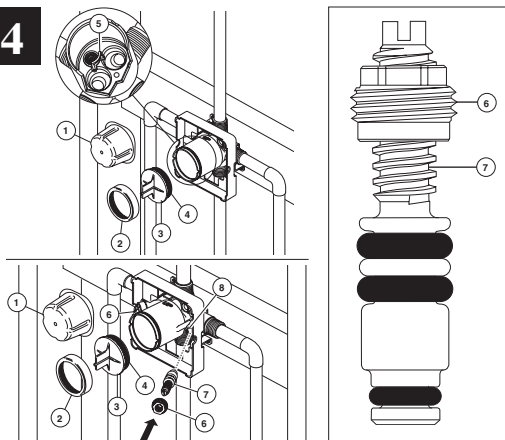


Connect top outlet (1) to shower pipe with proper fittings. Connect bottom outlet (2) to tub spout pipe with proper fittings. Pipe (3) between valve body and tub spout must be a minimum of 1/2" (13 mm) copper pipe or 1/2" (13 mm) iron pipe in a **straight drop** no less than 8" (203 mm) but no more than 18" (457 mm) long with only **one** iron pipe or copper 90 degree elbow to the tub spout nipple. **Do not use PEX tubing for tub spout drop. Note: There is no tub outlet in high flow models.**

Conecte la salida de arriba (1) a la tubería de la regadera con los accesorios apropiados. Conecte la salida de abajo (2) a la tubería del surtidor de la bañera con los accesorios apropiados. La tubería (3) entre el cuerpo de la válvula y el de la bañera debe ser de un mínimo de 1/2" (13 mm) de tubería de cobre o 1/2" (13 mm) de tubería de hierro en caída recta no menos de 8" (203 mm) pero no más de 18" (457 mm) de largo a la entroncesca del surtidor de la bañera y con sólo un codo de 90 grados, de tubería de hierro o cobre. **No use la tubería PEX como tubería entre la válvula y el surtidor de la bañera.**

À l'aide des raccords appropriés, raccordez l'orifice supérieur (1) au tuyau de la douche et l'orifice inférieur (2) au tuyau du bec de baignoire. Le corps de robinet doit être relié au bec de baignoire par un tuyau de cuivre d'au moins 1/2 po (13 mm) ou un tuyau de fer d'au moins 1/2 po (13 mm). Ce tuyau (3) doit être droit et il doit avoir une longueur d'au moins 8 po (203 mm) et d'au plus 18 po (457 mm); il doit être relié au tuyau du bec de baignoire par un seul coude à 90 degrés en cuivre ou en fer. **N'utilisez pas de tube PEX pour raccorder le bec.**

4



#### PRESSURE TESTING & FLUSHING THE INSTALLATION

Prior to testing, remove cover (1), bonnet (2) and cap (3). Ensure O-ring (4) and filter screen (5) are properly installed. Reinstall cap and bonnet and tighten securely. Plug both outlets with proper fittings. Check for leaks. After testing remove shower and/or tub spout plug and flush system. After flushing remove filter screen (5) and reinstall cap, bonnet and cover. Install stops (6 & 7) in the w/stops version and set to full open. **Note: Install stops in the w/stops version as follows: Thread nut (6) on stem (7) as shown. Then press stem and nut assembly into body (8) and tighten using a 3/8", 6 point, deep well socket. With a flat head screwdriver, adjust stem clockwise to close and counterclockwise to open.**

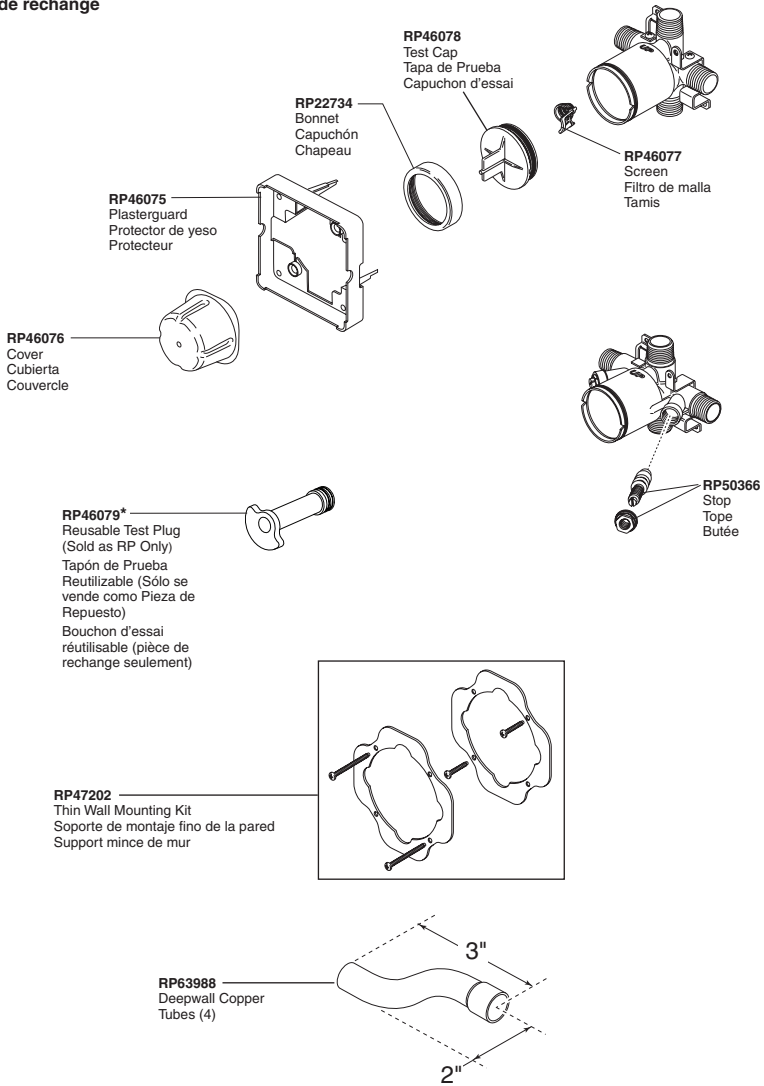
#### PRUEBA DE PRESIÓN Y LIMPIEZA DE LA INSTALACIÓN

Antes de probar, quite la cubierta (1), el capuchón (2) y la tapa (3). Asegúrese que el aro O (4) y el filtro de malla (5) están correctamente instalados. Si lo ha quitado, instale otra vez la tapa y el capuchón, y apriete bien. Tape ambas salidas con los accesorios apropiados. Examine si hay filtraciones o fugas. Después de hacer la prueba quite el tapón de la regadera y/o bañera y deje que el agua corra para limpiar el sistema de tuberías. Después de dejar el agua correr quite el filtro de malla (5) y reinstale la tapa, el capuchón y la cubierta. Instale las válvulas apagadas (6 y 7) en con las paradas versión y sistema para abrirse por completo. **Nota: Instale las paradas en con la versión de las válvulas apagadas como sigue: Rosque la tuerca (6) en el vástago (7) según lo demostrado. Después presione el montaje del vástago y de tuerca en cuerpo (8) y apriete con un 3/8", 6 puntos, zócalo bien profundo. Con un destornillador principal plano, ajuste el vástago a la derecha al cierre y a la izquierda abrirse.**

#### ESSAI SOUS PRESSION ET RINÇAGE DE L'INSTALLATION

Avant d'effectuer l'essai, enlevez le couvercle (1), le chapeau (2) et le capuchon (3). Assurez-vous que le joint torique (4) et le tamis (5) sont bien installés. Remposez le capuchon et le chapeau si vous les avez enlevés et serrez-les solidement. Obturez les deux sorties à l'aide des bouchons appropriés. Vérifiez l'étanchéité. Après avoir réalisé l'essai, enlevez le bouchon de la sortie de la douche et/ou le bouchon de la sortie du bec de baignoire et rincez l'installation. Une fois l'installation rincée, enlevez le tamis (5) et remposez le capuchon, le chapeau ainsi que le couvercle. Installez les valves coupées (6 et 7) dans avec des arrêts version et assemble sur grand ouvert. **Note : Installez les arrêts dans avec la version de valves coupées comme suit : Filetez l'écrou (6) sur la tige (7) comme montré. Alors serrez l'ensemble de tige et d'écrou dans le corps (8) et serrez en utilisant un 3/8", 6 points, douille bonne profonde. Avec un tournevis principal plat, ajustez la tige dans le sens des aiguilles d'une montre sur la fin et s'ouvrir dans le sens contraire des aiguilles d'une montre.**

**Replacement Parts**  
**Piezas de Repuesto**  
**Pièces de rechange**



\*Used to plug one inlet side (Hot or Cold) to prevent cross flow when checking for leaks before the cartridge is installed. Insert into the inlet, place test cap and use the bonnet to secure in place.

\*Tapaban una entrada lateral (caliente o frío) para prevenir flujo cruzado cuando la comprobación para saber si hay escapes antes del cartucho está instalada. El relleno en la entrada, casquillo de la prueba del lugar y utiliza el capo para asegurar en lugar.

\*Branchaient une admission latérale (chaud ou froid) pour empêcher l'écoulement en travers quand la vérification les fuites avant la cartouche est installée. L'insertion dans l'admission, chapeau d'essai d'endroit et emploient le capot pour fixer en place.

## LIFETIME FAUCET AND FINISH LIMITED WARRANTY

All parts and finishes of the Delta<sup>®</sup> faucet are warranted to the original consumer purchaser to be free from defects in material & workmanship for as long as the original consumer purchaser owns their home. Delta Faucet Company recommends using a professional plumber for all installation & repair.

Delta will replace, FREE OF CHARGE, during the warranty period, any part or finish that proves defective in material and/or workmanship under normal installation, use & service. Replacement parts may be obtained by calling 1-800-345-DELTA (in the U.S. and Canada) or by writing to:

**In the United States:**  
Delta Faucet Company  
Product Service  
55 E. 111th Street  
Indianapolis, IN 46280

**In Canada:**  
Masco Canada Limited, Plumbing Group  
350 South Edgeware Road,  
St. Thomas, Ontario, Canada N5P 4L1

This warranty is extensive in that it covers replacement of all defective parts and even finish, but these are the only two things that are covered. LABOR CHARGES AND/OR DAMAGE INCURRED IN INSTALLATION, REPAIR, OR REPLACEMENT AS WELL

AS ANY OTHER KIND OF LOSS OR DAMAGES ARE EXCLUDED. Proof of purchase (original sales receipt) from the original consumer purchaser must be made available to Delta for all warranty claims. THIS IS THE EXCLUSIVE WARRANTY BY DELTA FAUCET COMPANY, WHICH DOES NOT MAKE ANY OTHER WARRANTY OF ANY KIND, INCLUDING THE IMPLIED WARRANTY OF MERCHANTABILITY.

This warranty excludes all industrial, commercial & business usage, whose purchasers are hereby extended a five year limited warranty from the date of purchase, with all other terms of this warranty applying except the duration of the warranty. This warranty is applicable to Delta<sup>®</sup> faucets manufactured after January 1, 1995.

Some states/provinces do not allow the exclusion or limitation of incidental or consequential damages, so the above limitation or exclusion may not apply to you. Any damage to this faucet as a result of misuse, abuse, or neglect, or any use of other than genuine Delta<sup>®</sup> replacement parts WILL VOID THE WARRANTY.

This warranty gives you specific legal rights, and you may also have other rights which vary from state/province to state/province. It applies only for Delta<sup>®</sup> faucets installed in the United States of America, Canada, and Mexico.

© 2011 Masco Corporation of Indiana

## GARANTÍA LIMITADA DE POR VIDA DE LA LLAVE Y SU ACABADO

Todas las piezas y acabados de la llave Delta<sup>®</sup> están garantizados al consumidor comprador original, de estar libres de defectos de material y fabricación, por el tiempo que el consumidor comprador original sea dueño de su casa. Delta Faucet Company recomienda que use un plomero profesional para todas las instalaciones y reparaciones.

Delta reemplazará, LIBRE DE CARGO, durante el período de garantía, cualquier pieza o acabado que pruebe tener defectos de material y/o fabricación bajo instalación normal, uso y servicio. Piezas de repuesto pueden ser obtenidas llamando al 1-800-345-DELTA (en los Estados Unidos y Canadá) o escribiendo a:

**En los Estados Unidos:**  
In the United States:  
Delta Faucet Company  
Product Service  
55 E. 111th Street  
Indianapolis, IN 46280

**En Canada:**  
In Canada:  
Masco Canada Limited, Plumbing Group  
350 South Edgeware Road,  
St. Thomas, Ontario, Canada N5P 4L1

Esta garantía es extensiva en lo que cubre el reemplazamiento de todas las piezas defectuosas y hasta el acabado, pero éstas son las únicas dos cosas que están cubiertas. CARGOS DE LABOR Y/O DAÑOS INCURRIDOS EN LA INSTALACIÓN, REPARACIÓN, O REEMPLAZAMIENTO COMO TAMBIÉN CUALQUIER OTRO TIPO DE PERDIDA O

DAÑOS ESTÁN EXCLUIDOS. Prueba de compra (recibo original de venta) del comprador consumidor original debe de ser disponible a Delta para todos los reclamos. ESTA ES LA GARANTÍA EXCLUSIVA DE DELTA FAUCET COMPANY, QUE NO HACE CUALQUIER OTRA GARANTÍA DE CUALQUIER TIPO, INCLUYENDO LA GARANTÍA IMPLÍCITA DE COMERCIALIZACIÓN.

Esta garantía excluye todo uso industrial, comercial y de negocio, a cuyos compradores se les da una garantía limitada extendida de cinco años desde la fecha de compra, con todos los otros términos de esta garantía aplicados, excepto el de duración de ésta. Esta garantía es aplicable a las llaves de Delta<sup>®</sup> fabricadas después de Enero 1, 1995.

Algunos estados/provincias no permiten la exclusión o limitación de daños incidentales o consecuentes, de manera que la limitación o exclusión arriba escrita puede no aplicarle a usted. Cualquier daño a esta llave, resultado del mal uso, abuso, o descuido, o cualquier otro uso de piezas de repuesto que no sean genuinas de Delta<sup>®</sup> ANULARÁN LA GARANTÍA.

Esta garantía le da derechos legales específicos, y usted puede, también tener otros derechos que varían de estado/provincia a estado/provincia. Es aplicable sólo a las llaves Delta<sup>®</sup> instaladas en los Estados Unidos de America, Canada y Mexico.

© 2011 Masco Corporación de Indiana

## GARANTIE À VIE LIMITÉE DES ROBINETS ET DE LEURS FINIS

Toutes les pièces et les finis du robinet Delta<sup>®</sup> sont protégés contre les défauts de matériau et les vices de fabrication par une garantie qui est consentie au premier acheteur et qui demeure valide tant que celui-ci demeure propriétaire de sa maison. Delta recommande de faire appel à un plombier compétent pour l'installation et la réparation du robinet.

Pendant la période de garantie, Delta remplacera GRATUITEMENT toute pièce ou tout fini, présentant un défaut de matériau ou un vice de fabrication pour autant que l'appareil ait été installé, utilisé et entretenu correctement. Pour obtenir des pièces de rechange, veuillez communiquer par téléphone au numéro 1-800-345-DELTA (aux États-Unis ou au Canada) et par écrit à l'une des adresses suivantes :

**Aux États-Unis**  
In the United States:  
Delta Faucet Company  
Product Service  
55 E. 111th Street  
Indianapolis, IN 46280

**Au Canada**  
In Canada:  
Masco Canada Limited, Plumbing Group  
350 South Edgeware Road,  
St. Thomas, Ontario, Canada N5P 4L1

La présente garantie s'applique au remplacement de toutes les pièces défectueuses, y compris le fini, et elle ne couvre que ces éléments. LES FRAIS DE MAIN-D'OEUVRE ET (OU) LES DOMMAGES PROVOQUÉS AU COURS DE L'INSTALLATION, DE LA RÉPARATION OU DU REMPLACEMENT D'UN ÉLÉMENT AINSI QUE LES PERTES OU DOMMAGES DE TOUTE AUTRE NATURE NE SONT PAS COUVERTS PAR LA

GARANTIE. Toute réclamation en vertu de la présente garantie doit être adressée à Delta, accompagnée de la preuve d'achat (original de la facture) du premier acheteur. CETTE GARANTIE EST LA SEULE OFFERTE PAR DELTA FAUCET COMPANY OU DELTA FAUCET CANADA, SELON LE CAS. ELLE EXCLUT TOUTE AUTRE GARANTIE, Y COMPRIS LA GARANTIE IMPLICITE DE QUALITÉ MARCHANDE.

Les robinets installés dans un établissement industriel ou commercial ou dans une pièce d'affaires sont protégés par une garantie étendue de cinq ans qui prend effet à compter de la date d'achat. Toutes les autres conditions de la garantie de cinq ans sont identiques à celle de la présente garantie. La présente garantie s'applique à tous les robinets Delta<sup>®</sup> fabriqués après le 1er janvier 1995.

Dans les États ou les provinces où il est interdit d'exclure ou de limiter les responsabilités à l'égard des dommages indirects ou fortuits, les exclusions et les limites susmentionnées ne s'appliquent pas. Les dommages résultant d'une mauvaise utilisation, d'une utilisation abusive de la négligence ou de l'utilisation de pièces autres que des pièces d'origine Delta<sup>®</sup> RENDENT LA GARANTIE NULLE ET SANS EFFET.

La présente garantie vous donne des droits précis qui peuvent varier selon votre lieu de résidence. Elle ne s'applique qu'aux robinets Delta<sup>®</sup> installés aux États-Unis, au Canada et au Mexique.

© 2011 Division de Masco Indiana



92343

3-PORT, THREE AND SIX FUNCTION  
DIVERTER TRIM

see what Delta can do™

ACCESORIO PARA EL DESVIADOR DE TRES  
Y SEIS FUNCIONES, DE 3 TOMAS

Models/Modelos/Modèles

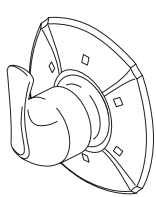
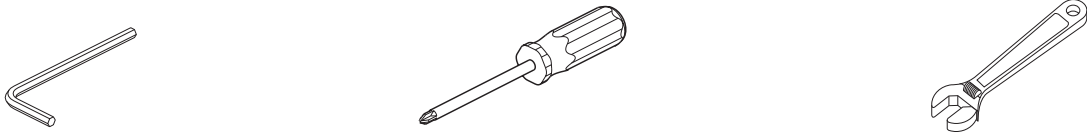
ÉLÉMENTS DE FINITION DE L'INVERSEUR À  
3 ORIFICES, À TROIS ET SIX FONCTIONS

T11800, T11851, T11853, T11855, T11859, T11861,  
T11864, T11867, T11874, T11885, T11886, T11892,  
T11894, T11897-LHP, T11899, T11900, T11951,  
T11953, T11955, T11959, T11961, T11964,  
T11967, T11974, T11985, T11986, T11992, T11994,  
T11997-LHP, T11852, T11952 & T11999

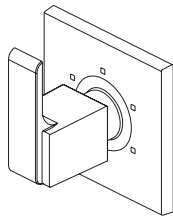
Write purchased model number here.  
Escriba aquí el número del modelo comprado.  
Inscrivez le numéro de modèle ici.

Rough-in R11000 required for installation  
Rough-in R11000 necesario para la instalación  
Rough-in R11000 requis pour l'installation

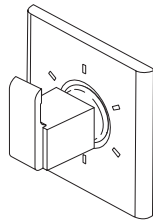
You may need/Usted puede necesitar/Articles dont vous pouvez avoir besoin:



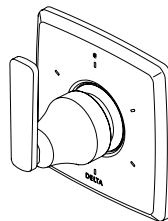
Addison™



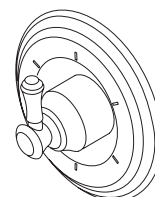
Ara®



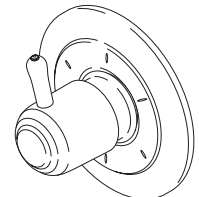
Arzo®



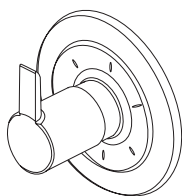
Ashlyn®



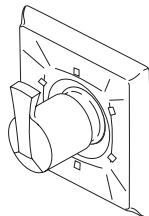
Cassidy™



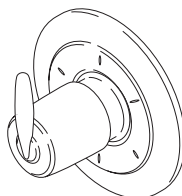
Classic



Compel®



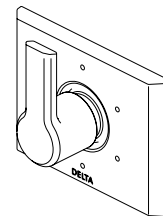
Dryden™



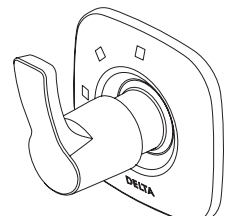
Grail®



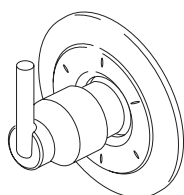
Linden™



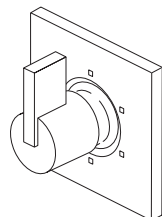
Pivotal™



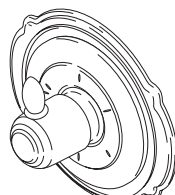
Tesla®



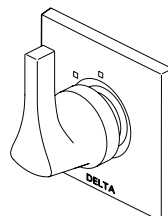
Trinsic®



Vero®

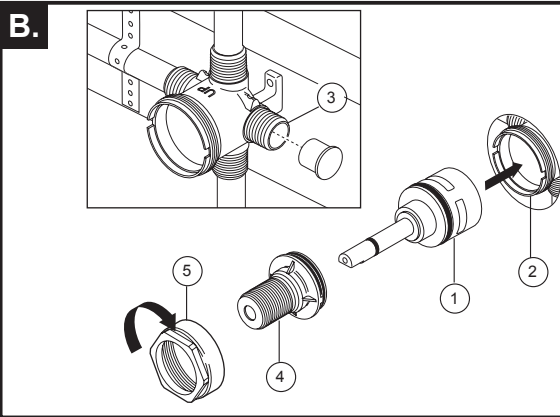
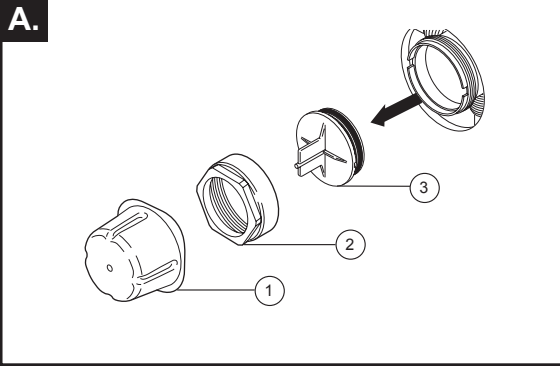


Victorian®



Zura™



**1**

**A.** When the diverter is ready for trim remove plasterguard (1), bonnet (2) and test cap (3) from the body.

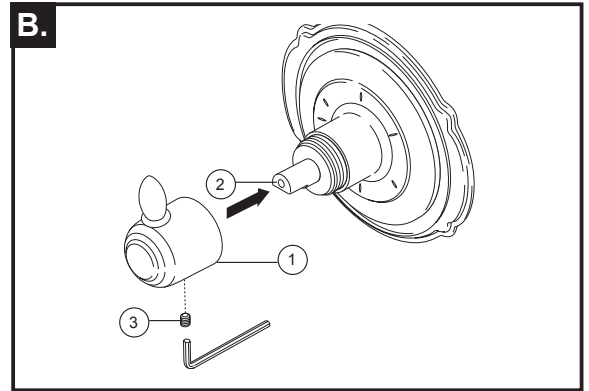
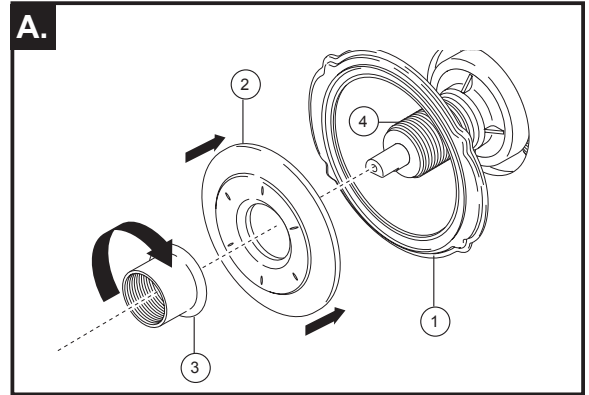
**B.** Install cartridge assembly (1) into body (2) assuring that the locating pin on the bottom of the cartridge aligns with mating hole in body. **Note: Right port (3) must be plugged if using a 3 function diverter cartridge.** Slide threaded sleeve (4) over cartridge stem aligning tabs on sleeve with slots in body (2) and tighten securely with bonnet (5).

**A.** Cuando el desviador está listo el accesorio quite el protector de yeso (1), en capuchón (2) y la tapa de prueba (3) del cuerpo.

**B.** Instale el ensamble del cartucho (1) en el cuerpo (2) asegurándose que la clavija localizadora en la parte inferior del cartucho está alineada con el agujero correspondiente en el cuerpo. **Nota: La toma de agua en la derecha (3) debe estar tapada si se utiliza un cartucho desviador de 3 funciones.** Deslice la manga enroscada (4) sobre la espiga del cartucho alineando las lengüetas en la manga con las ranuras en el cuerpo (2) y apriete bien con el capuchón (5).

**A.** Lorsque l'inverseur est prêt à recevoir les éléments de finition, retirez le protecteur (1), le chapeau (2) et le capuchon d'essai (3) du corps.

**B.** Installez la cartouche (1) dans le corps (2) en prenant soin de faire correspondre l'axe de détrompage au bas de la cartouche avec le trou dans le corps. **Note: Vous devez obturer l'orifice droit (3) si vous utilisez une cartouche d'inverseur à trois fonctions.** Glissez le manchon fileté (4) sur la tige de la cartouche en prenant soin de faire correspondre les pattes sur le manchon avec les rainures dans le corps (2) et serrez-le solidement avec le chapeau (5).

**2**

**A.** Place and hold backplate (1) (T11855/T11955 Only) and escutcheon (2) over diverter. Thread trim sleeve (3) onto threaded sleeve (4) until escutcheon and backplate are secure against wall. Do not overtighten.

**B.** Place handle (1) onto stem (2) and tighten set screw (3).

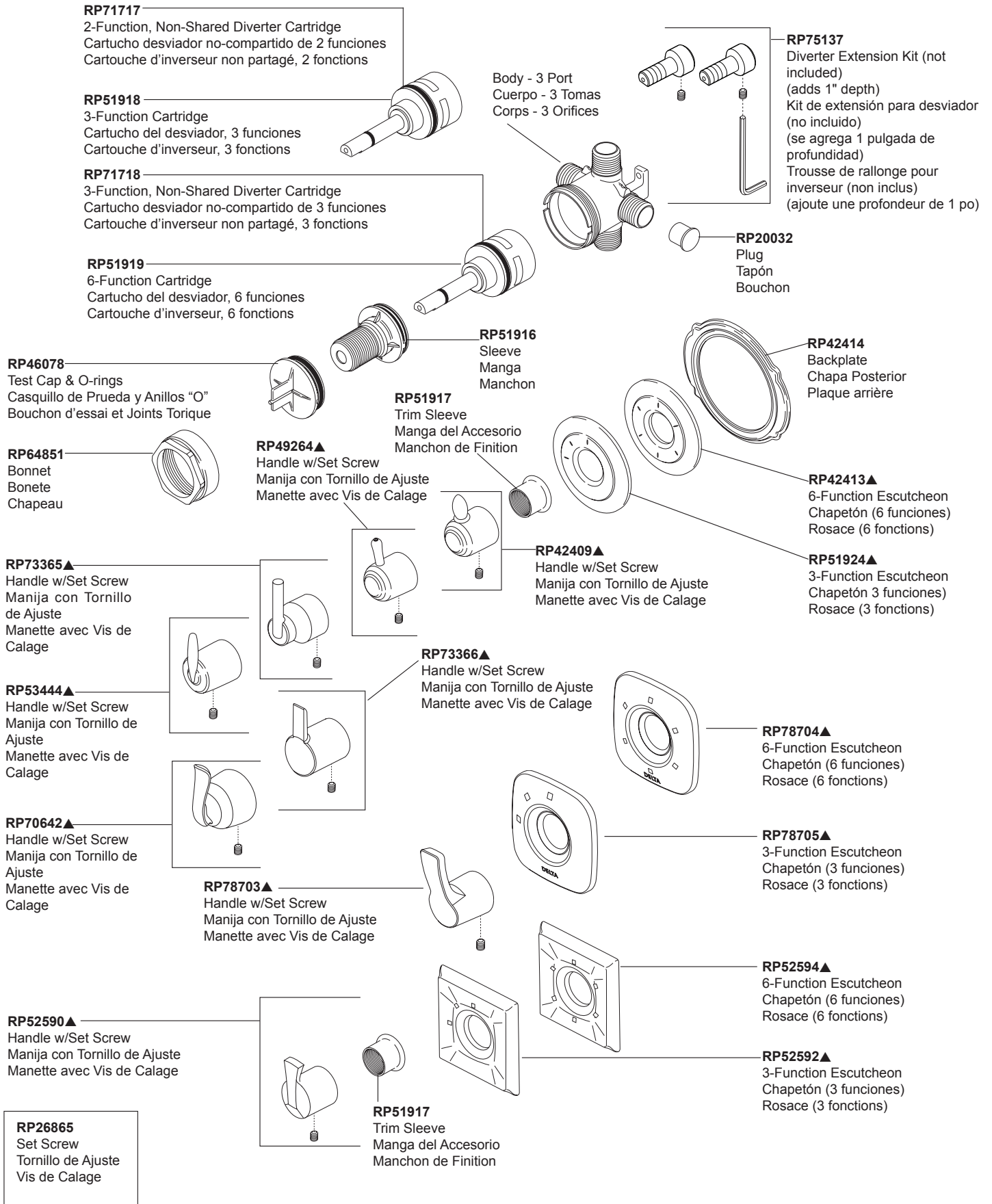
**A.** Coloque y sostenga la placa posterior (1) (T11855/ T11955 solamente) y la chapa de cubierta (2) sobre el desviador. Enrosque la manga de accesorio (3) en la manga enroscada (4) hasta que la chapa de cubierta y la placa posterior queden fijas contra la pared. No apriete demasiado.

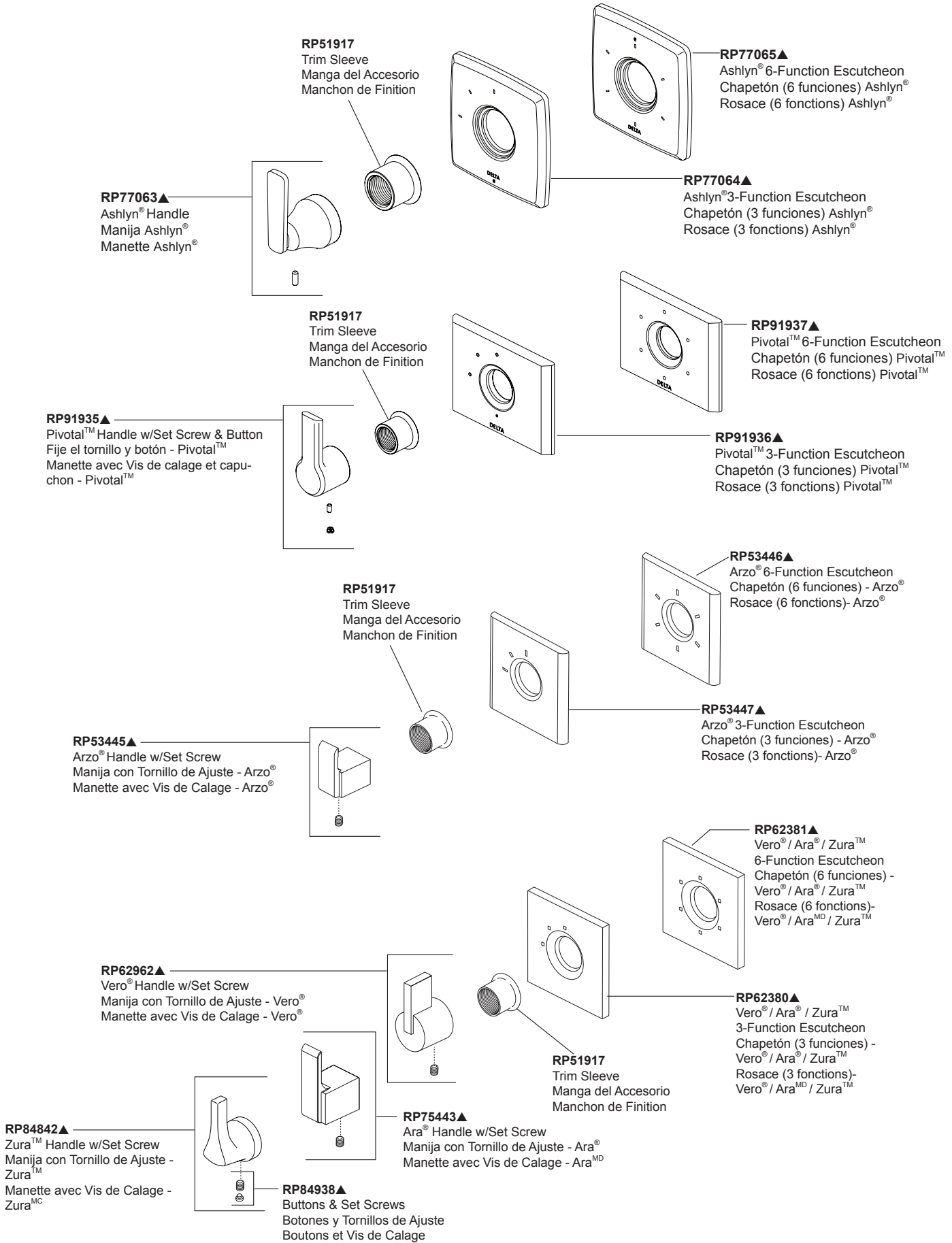
**B.** Coloque la manija (1) en la espiga (2) y apriete el tornillo de ajuste (3).

**A.** Placez la plaque arrière (1) (T11855/T11955 seulement) et la plaque de finition (2) sur l'inverseur et maintenez-les en place. Vissez le manchon de finition (3) sur le manchon fileté (4) jusqu'à ce que la plaque de finition et la plaque arrière soient immobilisées contre le mur. Évitez de serrer excessivement.

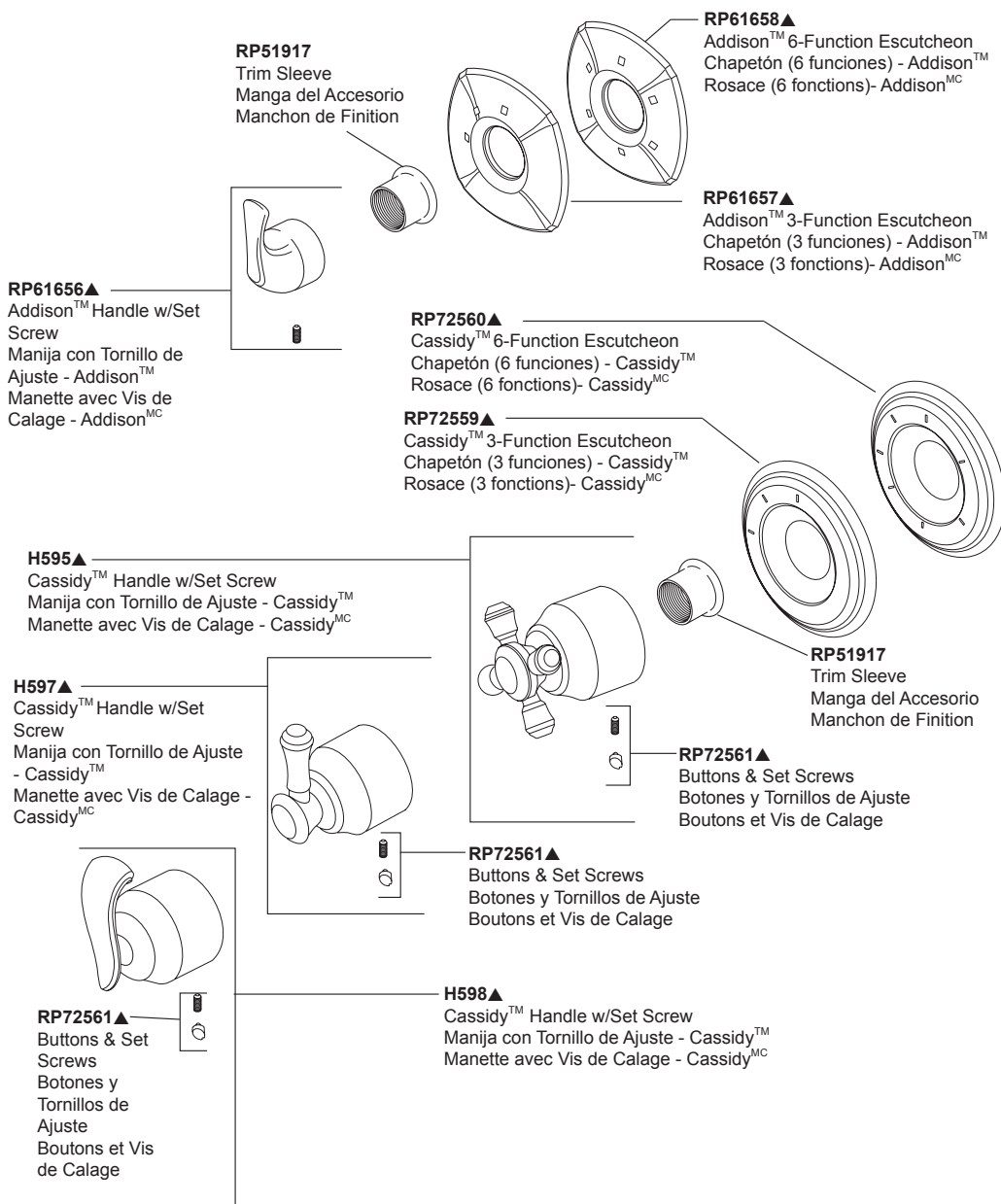
**B.** Placez la manette (1) sur la tige (2) et serrez la vis de calage (3).







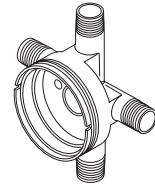
▲Specify Finish / Especificque el Acabado / Précisez le Fini



### Using New Trim With Rough R11600

Para el uso de un accesorio nuevo  
con tuberías internas R11600

Utilisation de la nouvelle finition avec  
les soupapes R11600



**R11600**

If you have **R11600** installed you will need to order **RP42410** (cartridge assembly), **RP37902** (3 function stem extender) OR **RP37903** (6 function stem extender) and **RP37890** (extension screw) to use the new trim.

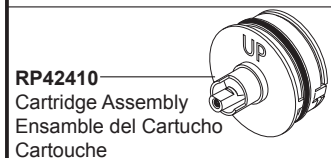
**Note: RP42412 (trim sleeve) may be needed for installations between 3.5 and 4.0 inches deep from the finished wall surface.**

Si usted tiene instalado la pieza **R11600**, necesitará ordenar **RP42410** (ensamble del cartucho), **RP37902** (extensión de espiga de 3 funciones) o **RP37903** (extensión de espiga de 6 funciones) y **RP37890** (tornillo de extensión) para utilizar el accesorio nuevo.

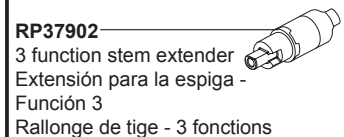
**Nota: La pieza RP42412 (manga de accesorio) puede ser necesaria para las instalaciones de 3.5 a 4.0 pulgadas de profundidad desde la superficial de la pared acabada.**

Si vous avez installé l'article **R11600**, vous devez commander les articles **RP42410** (cartouche), **RP37902** (rallonge de tige pour soupape à 3 fonctions) OU **RP37903** (rallonge de tige pour soupape à 6 fonctions) et **RP37890** (vis de rallonge) et les utiliser avec la nouvelle finition.

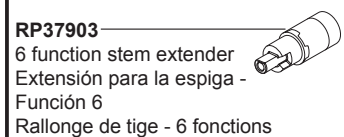
**Note: L'article RP42412 (manchon de finition) peut être nécessaire pour les installations présentant un écart de 3,5 à 4 pouces de profondeur par rapport à la surface finie du mur.**



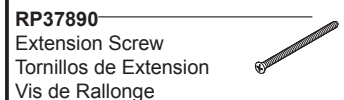
**RP42410**  
Cartridge Assembly  
Ensamble del Cartucho  
Cartouche



**RP37902**  
3 function stem extender  
Extensión para la espiga -  
Función 3  
Rallonge de tige - 3 fonctions



**RP37903**  
6 function stem extender  
Extensión para la espiga -  
Función 6  
Rallonge de tige - 6 fonctions

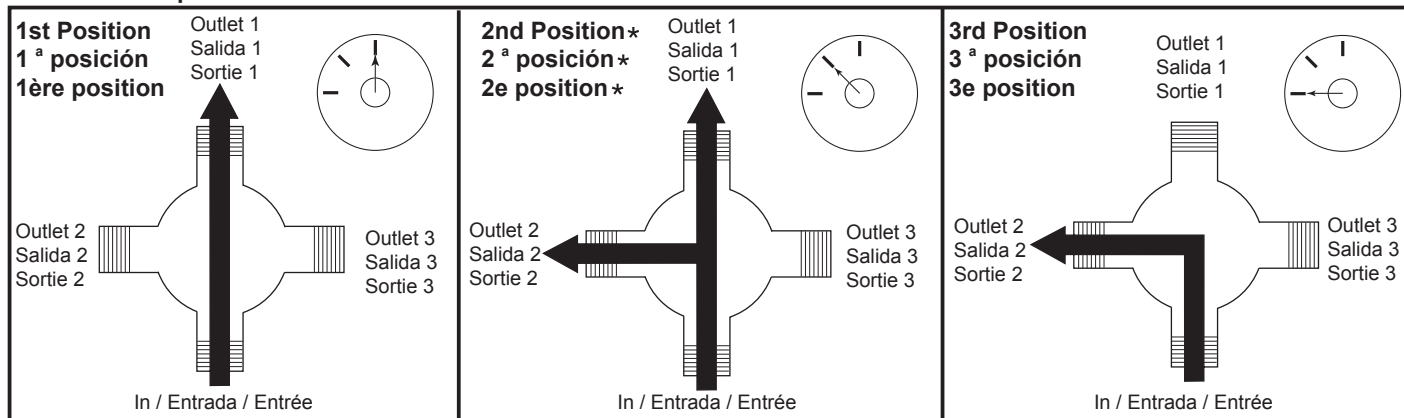


**RP37890**  
Extension Screw  
Tornillos de Extension  
Vis de Rallonge



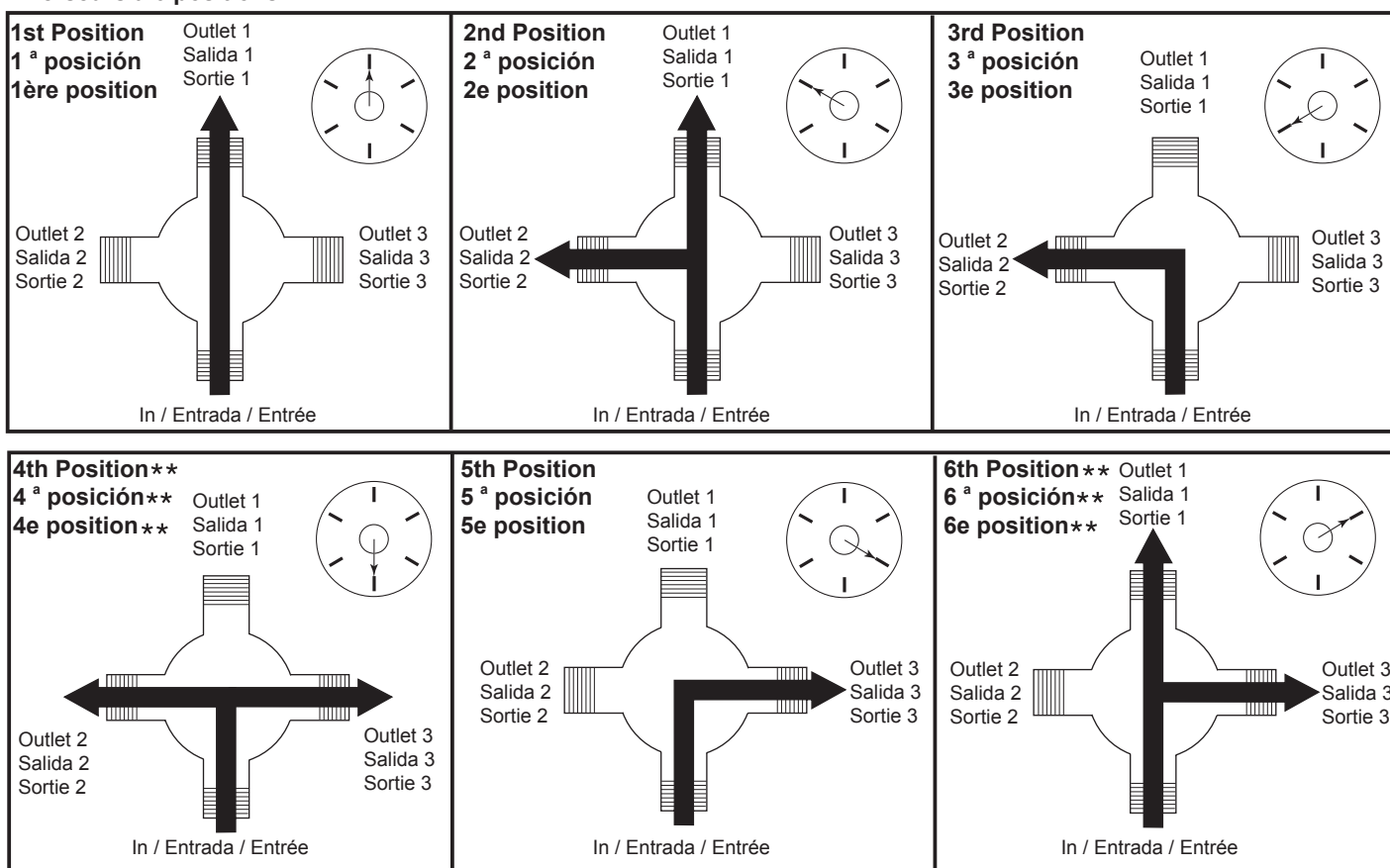
**RP42412**  
Trim Sleeve  
Manga del Accesorio  
Manchon de Finition

**Water Flow For 3 Function Diverter / Flujo de agua para Desviadores de 3 posiciones / Écoulement de l'eau pour les inverseurs à 3 positions**



\* Shared positions do not exist in non-shared cartridges.  
 \* Los ajustes o posiciones compartidas no existen en los cartuchos no-compartidos.  
 \* Comme leur nom l'indique, les cartouches sans position partagée ne comportent aucune position partagée.

**Water Flow For 6 Function Diverter / Flujo de agua para Desviadores de 6 posiciones / Écoulement de l'eau pour les inverseurs à 6 positions**



\*\* Shared positions do not exist in non-shared cartridges.  
 \*\* Los ajustes o posiciones compartidas no existen en los cartuchos no-compartidos.  
 \*\* Comme leur nom l'indique, les cartouches sans position partagée ne comportent aucune position partagée.

**CLEANING AND CARE**

Care should be given to the cleaning of this product. Although its finish is extremely durable, it can be damaged by harsh abrasives or polish. To clean, simply wipe gently with a damp cloth and blot dry with a soft towel.

**LIMPIEZA Y CUIDADO DE SU LLAVE**

Tenga cuidado al ir a limpiar este producto. Aunque su acabado es sumamente durable, puede ser afectado por agentes de limpieza o para pulir abrasivos. Para limpiar su llave, simplemente frótelas con un trapo húmedo y luego séquela con una toalla suave.

**INSTRUCTIONS DE NETTOYAGE**

Il faut le nettoyer avec soin. Même si son fini est extrêmement durable, il peut être abîmé par des produits fortement abrasifs ou des produits de polissage. Il faut simplement le frotter doucement avec un chiffon humide et le sécher à l'aide d'un chiffon doux.

## CLEANING AND CARE

Care should be given to the cleaning of this product. Although its finish is extremely durable, it can be damaged by harsh abrasives or polish. To clean, simply wipe gently with a damp cloth and blot dry with a soft towel.

### Limited Warranty on Delta® Faucets

#### Parts and Finish

All parts (other than electronic parts and batteries) and finishes of this Delta® faucet are warranted to the original consumer purchaser to be free from defects in material and workmanship for as long as the original consumer purchaser owns the home in which the faucet was first installed or, for commercial users, for 5 years from the date of purchase.

#### Electronic Parts and Batteries (if applicable)

Electronic parts (other than batteries), if any, of this Delta® faucet are warranted to the original consumer purchaser to be free from defects in material and workmanship for 5 years from the date of purchase or, for commercial users, for one year from the date of purchase. No warranty is provided on batteries.

Delta Faucet Company will replace, FREE OF CHARGE, during the applicable warranty period, any part or finish that proves defective in material and/or workmanship under normal installation, use and service. If repair or replacement is not practical, Delta Faucet Company may elect to refund the purchase price in exchange for the return of the product. **These are your exclusive remedies.**

Delta Faucet Company recommends using a professional plumber for all installation and repair. We also recommend that you use only genuine Delta® replacement parts.

Delta Faucet Company shall not be liable for any damage to the faucet resulting from misuse, abuse, neglect or improper or incorrectly performed installation, maintenance or repair, including failure to follow the applicable care and cleaning instructions.

Replacement parts may be obtained by calling the applicable number below or by writing to:

#### In the United States and Mexico:

Delta Faucet Company  
Product Service  
55 E. 111th Street  
Indianapolis, IN 46280  
1-800-345-DELTA (3358)  
customerservice@deltafaucet.com

#### In Canada:

Masco Canada Limited, Plumbing Group  
Technical Service Centre  
350 South Edgeware Road  
St. Thomas, Ontario, Canada N5P 4L1  
1-800-345-DELTA (3358)  
customerservice@mascocanada.com

Proof of purchase (original sales receipt) from the original purchaser must be made available to Delta Faucet Company for all warranty claims unless the purchaser has registered the product with Delta Faucet Company. This warranty applies only to Delta® faucets manufactured after January 1, 1995 and installed in the United States of America, Canada and Mexico.

DELTA FAUCET COMPANY SHALL NOT BE LIABLE FOR ANY SPECIAL, INCIDENTAL OR CONSEQUENTIAL DAMAGES (INCLUDING LABOR CHARGES) FOR BREACH OF ANY EXPRESS OR IMPLIED WARRANTY ON THE FAUCET. Some states/provinces do not allow the exclusion or limitation of special, incidental or consequential damages, so these limitations and exclusions may not apply to you. This warranty gives you special legal rights. You may also have other rights which vary from state/province to state/province.

This is Delta Faucet Company's exclusive written warranty and the warranty is not transferable.

If you have any questions or concerns regarding our warranty, please view our Warranty FAQs at [www.deltafaucet.com](http://www.deltafaucet.com), email us at [customerservice@deltafaucet.com](mailto:customerservice@deltafaucet.com) or call us at the applicable number above.

© 2018 Delta Faucet Company of Indiana

## LIMPIEZA Y CUIDADO DE SU LLAVE

Tenga cuidado al ir a limpiar este producto. Aunque su acabado es sumamente durable, puede ser afectado por agentes de limpieza o para pulir abrasivos. Para limpiar su llave, simplemente frótelas con un trapo húmedo y luego séquela con una toalla suave.

### Garantía Limitada de las Llaves de Agua (grifos) Delta®

#### Piezas y acabado

Todas las piezas (excepto las piezas electrónicas y las pilas) y los acabados de esta llave de agua Delta® están garantizados al consumidor comprador original de estar libres de defectos en material y fabricación durante el tiempo que el comprador original posea la vivienda en la que la llave de agua fue originalmente instalada o, para los consumidores comerciales, durante 5 años a partir de la fecha de compra.

#### Componentes electrónicos y pilas (si aplicable)

Todas las piezas (salvo las pilas), si hay, de esta llave de agua Delta® están garantizadas al consumidor comprador original de estar libres de defectos en materiales y fabricación durante 5 años a partir de la fecha de compra o, para los usuarios comerciales, por un año a partir de la fecha de compra. No se garantizan las pilas.

Delta Faucet Company reemplazará, SIN CARGO, durante el período de garantía aplicable, cualquier pieza o acabado que pruebe tener defectos de material y/o fabricación bajo la instalación, uso y servicio normal. Si la reparación o su reemplazo no es práctico, Delta Faucet Company tiene la opción de reembolsarle su dinero por la cantidad del precio de compra a cambio de la devolución del producto. **Estos son sus únicos recursos.**

Delta Faucet Company recomienda que use los servicios de un plomero profesional para todas las instalaciones y reparaciones. También le recomendamos que utilice sólo las piezas de repuesto originales de Delta®.

Delta Faucet Company no será responsable por cualquier daño a la llave de agua que resulte del mal uso, abuso, negligencia o mala instalación o mantenimiento o reparación incorrecta, incluyendo el no seguir los cuidados aplicables y las instrucciones de limpieza.

Las piezas de repuesto se pueden obtener llamando al número correspondiente más abajo, o escribiendo a:

#### En los Estados Unidos y México:

Delta Faucet Company  
Product Service  
55 E. 111th Street  
Indianapolis, IN 46280  
1-800-345-DELTA (3358)  
customerservice@deltafaucet.com

#### En Canadá:

Masco Canada Limited, Plumbing Group  
Technical Service Centre  
350 South Edgeware Road  
St. Thomas, Ontario, Canada N5P 4L1  
1-800-345-DELTA (3358)  
customerservice@mascocanada.com

La prueba de compra (recibo original) del comprador original debe ser disponible a Delta Faucet Company para todos los reclamos a menos que el comprador haya registrado el producto con Delta Faucet Company. Esta garantía le aplica sólo a las llaves de agua de Delta® fabricadas después del 1 de enero 1995 e instaladas en los Estados Unidos de América, Canadá y México.

DELTA FAUCET COMPANY NO SE HACE RESPONSABLE POR CUALQUIER DAÑO ESPECIAL, INCIDENTAL O CONSECUENTE (INCLUYENDO LOS GASTOS DE MANO DE OBRA) POR EL INCUMPLIMIENTO DE CUALQUIER GARANTÍA EXPRESA O IMPLÍCITA DE LA LLAVE DE AGUA. Algunos estados/provincias no permiten la exclusión o limitación de daños especiales, incidentales o consecuentes, por lo que estas limitaciones y exclusiones pueden no aplicarle a usted. Esta garantía le otorga derechos legales. Usted también puede tener otros derechos que varían de estado/provincia a estado/provincia.

Esta es la garantía exclusiva por escrito de Delta Faucet Company y la garantía no es transferible.

Si usted tiene alguna pregunta o inquietud acerca de nuestra garantía, por favor, vea nuestra sección de preguntas frecuentes FAQ sobre la garantía en [www.deltafaucet.com](http://www.deltafaucet.com), también puede enviarnos un correo electrónico a [customerservice@deltafaucet.com](mailto:customerservice@deltafaucet.com) o llámenos al número que le corresponda anteriormente incluido.

© 2018 Delta Faucet Company de Indiana

## INSTRUCTIONS DE NETTOYAGE

Il faut le nettoyer avec soin. Même si son fini est extrêmement durable, il peut être abîmé par des produits fortement abrasifs ou des produits de polissage. Il faut simplement le frotter doucement avec un chiffon humide et le sécher à l'aide d'un chiffon doux.

### Garantie limitée des robinets Delta®

#### Pièces et finis

Toutes les pièces (à l'exception des composants électroniques et des piles) et tous les finis de ce robinet Delta® sont protégés contre les défauts de matériel et les vices de fabrication par une garantie qui est consentie au premier acheteur et qui demeure valide tant que celui-ci demeure propriétaire de la maison dans laquelle le robinet a été installé. Dans le cas d'une utilisation commerciale, la garantie est de 5 ans à compter de la date d'achat.

#### Composants électroniques et piles (le cas échéant)

Si ce robinet Delta® comporte des composants électroniques, ces composants (à l'exception des piles) sont protégés contre les défauts de matériel et les vices de fabrication par une garantie consentie au premier acheteur qui est d'une durée de 5 ans à compter de la date d'achat. Dans le cas d'une utilisation commerciale, la garantie est d'un an à compter de la date d'achat. Aucune garantie ne couvre les piles.

Delta Faucet Company remplacera, GRATUITEMENT, pendant la période de garantie applicable, toute pièce ou tout fini qui présentera une déficience du matériel et/ou un vice de fabrication pour autant que le robinet ait été installé, utilisé et entretenu normalement. S'il est impossible de réparer ou de remplacer le robinet, Delta Faucet Company pourra décider de rembourser le prix d'achat du produit pour autant que celui-ci lui soit retourné. **Il s'agit de vos seuls recours.**

Delta Faucet Company recommande de confier l'installation et la réparation à un plombier professionnel. Nous vous recommandons également d'utiliser uniquement des pièces de rechange authentiques Delta®.

Delta Faucet Company se dégage de toute responsabilité à l'égard des dommages causés au robinet en raison d'un mauvais usage, d'un usage abusif, de la négligence ou de l'utilisation d'une méthode d'installation, de maintenance ou de réparation incorrecte ou inadéquate, y compris les dommages résultant du non-respect des instructions de nettoyage et d'entretien applicables. Pour obtenir des pièces de rechange, veuillez appeler au numéro applicable ci-dessous ou écrire à l'adresse applicable ci-dessous.

#### Aux États-Unis et au Mexique :

Delta Faucet Company  
Product Service  
55 E. 111th Street  
Indianapolis, IN 46280  
1-800-345-DELTA (3358)  
customerservice@deltafaucet.com

#### Au Canada:

Masco Canada Limited, Plumbing Group  
Technical Service Centre  
350 South Edgeware Road  
St. Thomas, Ontario, Canada N5P 4L1  
1-800-345-DELTA (3358)  
customerservice@mascocanada.com

La preuve d'achat (reçu original) du premier acheteur doit être présentée à Delta Faucet Company pour toutes les demandes en vertu de la garantie, sauf si le produit a été enregistré auprès de Delta Faucet Company. La présente garantie s'applique uniquement aux robinets Delta® fabriqués après le 1er janvier 1995 et installés aux États-Unis d'Amérique, au Canada et au Mexique.

DELTA FAUCET COMPANY SE DÉGAGE DE TOUTE RESPONSABILITÉ À L'ÉGARD DES DOMMAGES PARTICULIERS, CONSÉCUTIFS OU INDIRECTS (Y COMPRIS LES FRAIS DE MAIN-D'ŒUVRE) QUI POURRAIENT RÉSULTER DE LA VIOLATION D'UNE GARANTIE IMPLICITE OU EXPLICITE QUELCONQUE SUR LE ROBINET. Dans les États ou les provinces où il est interdit de limiter ou d'exclure la responsabilité à l'égard des dommages particuliers, consécutifs ou indirects, les limites et les exclusions susmentionnées ne s'appliquent pas. La présente garantie vous donne des droits précis qui peuvent varier selon l'État ou la province où vous résidez.

La présente garantie écrite est la garantie exclusive offerte par Delta Faucet Company et elle n'est pas transférable.

Si vous avez des questions ou des préoccupations en ce qui concerne notre garantie, veuillez consulter la page Warranty FAQs à [www.deltafaucet.com](http://www.deltafaucet.com), faire parvenir un courriel à [customerservice@deltafaucet.com](mailto:customerservice@deltafaucet.com) ou nous appeler au numéro applicable.

© 2018 Delta Faucet Company de Indiana





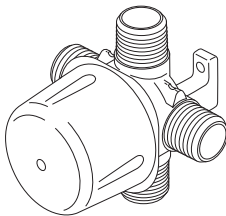


50757



ASME A112.18.1 / CSA B125.1

Model/Modelo/Modèle  
R11000  
Series/Series/Seria

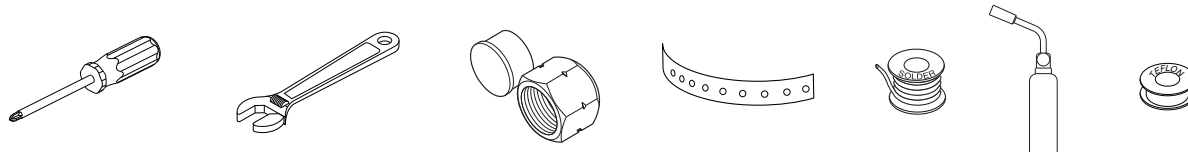


### 3-PORT, THREE AND SIX FUNCTION DIVERTER ROUGH-IN

TUBERÍAS DENTRO DE LA PARED PARA EL DESVIADOR DE TRES Y SEIS FUNCIONES, DE 3 TOMAS.

PLOMBERIE BRUTE DE L'INVERSEUR À 3 ORIFICES, À TROIS ET SIX FONCTIONS

#### You may need/Usted puede necesitar/Articles dont vous pouvez avoir besoin:



#### LIFETIME FAUCET AND FINISH LIMITED WARRANTY

All parts and finishes of the Delta® faucet are warranted to the original consumer purchaser to be free from defects in material & workmanship for as long as the original consumer purchaser owns their home. Delta Faucet Company recommends using a professional plumber for all installation & repair.

Delta will replace, FREE OF CHARGE, during the warranty period, any part or finish that proves defective in material and/or workmanship under normal installation, use & service. Replacement parts may be obtained by calling 1-800-345-DELTA (in the U.S. and Canada) or by writing to:

**In the United States:**  
Delta Faucet Company  
Product Service  
55 E. 111th Street  
Indianapolis, IN 46280

**In Canada:**  
Masco Canada  
Technical Service Centre  
420 Burbrook Place  
London, ON N6A 4L6

This warranty is extensive in that it covers replacement of all defective parts and even finish, but these are the only two things that are covered. LABOR CHARGES AND/OR DAMAGE INCURRED IN INSTALLATION, REPAIR, OR REPLACEMENT AS WELL AS

ANY OTHER KIND OF LOSS OR DAMAGES ARE EXCLUDED. Proof of purchase (original sales receipt) from the original consumer purchaser must be made available to Delta for all warranty claims. THIS IS THE EXCLUSIVE WARRANTY BY DELTA FAUCET COMPANY, WHICH DOES NOT MAKE ANY OTHER WARRANTY OF ANY KIND, INCLUDING THE IMPLIED WARRANTY OF MERCHANTABILITY.

This warranty excludes all industrial, commercial & business usage, whose purchasers are hereby extended a five year limited warranty from the date of purchase, with all other terms of this warranty applying except the duration of the warranty. This warranty is applicable to Delta® faucets manufactured after January 1, 1995.

Some states/provinces do not allow the exclusion or limitation of incidental or consequential damages, so the above limitation or exclusion may not apply to you. Any damage to this faucet as a result of misuse, abuse, or neglect, or any use of other than genuine Delta® replacement parts WILL VOID THE WARRANTY.

This warranty gives you specific legal rights, and you may also have other rights which vary from state/province to state/province. It applies only for Delta® faucets installed in the United States of America, Canada, and Mexico.

© 2009 Masco Corporation of Indiana

#### GARANTÍA LIMITADA DE POR VIDA DE LA LLAVE Y SU ACABADO

Todas las piezas y acabados de la llave Delta® están garantizados al consumidor comprador original, de estar libres de defectos de material y fabricación, por el tiempo que el consumidor comprador original sea dueño de su casa. Delta Faucet Company recomienda que use un plomero profesional para todas las instalaciones y reparaciones.

Delta reemplazará, LIBRE DE CARGO, durante el período de garantía, cualquier pieza o acabado que pruebe tener defectos de material y/o fabricación bajo instalación normal, uso y servicio. Piezas de repuesto pueden ser obtenidas llamando al 1-800-345-DELTA (en los Estados Unidos y Canadá) o escribiendo a:

**En los Estados Unidos:**  
Delta Faucet Company  
Product Service  
55 E. 111th Street  
Indianapolis, IN 46280

**En Canada:**  
Masco Canada  
Technical Service Centre  
420 Burbrook Place  
London, ON N6A 4L6

Esta garantía es extensiva en lo que cubre el reemplazamiento de todas las piezas defectuosas y hasta el acabado, pero éstas son las únicas dos cosas que están cubiertas. CARGOS DE LABOR Y/O DAÑOS INCURRIDOS EN LA INSTALACIÓN, REPARACIÓN, O REEMPLAZAMIENTO COMO TAMBIÉN CUALQUIER OTRO TIPO DE PÉRDIDA O

DAÑOS ESTÁN EXCLUIDOS. Prueba de compra (recibo original de venta) del comprador consumidor original debe de ser disponible a Delta para todos los reclamos. ESTA ES LA GARANTÍA EXCLUSIVA DE DELTA FAUCET COMPANY, QUE NO HACE CUALQUIER OTRA GARANTÍA DE CUALQUIER TIPO, INCLUYENDO LA GARANTÍA IMPLÍCITA DE COMERCIALIZACIÓN.

Esta garantía excluye todo uso industrial, comercial y de negocio, a cuyos compradores se les da una garantía limitada extendida de cinco años desde la fecha de compra, con todos los otros términos de esta garantía aplicados, excepto el de duración de ésta. Esta garantía es aplicable a las llaves de Delta® fabricadas después de Enero 1, 1995.

Algunos estados/provincias no permiten la exclusión o limitación de daños incidentales o consecuentes, de manera que la limitación o exclusión arriba escrita puede no aplicarse a usted. Cualquier daño a esta llave, resultado del mal uso, abuso, o descuido, o cualquier otro uso de piezas de repuesto que no sean genuinas de Delta® ANULARÁN LA GARANTÍA.

Esta garantía le da derechos legales específicos, y usted puede, también tener otros derechos que varían de estado/provincia a estado/provincia. Es aplicable sólo a las llaves Delta® instaladas en los Estados Unidos de America, Canada y Mexico.

© 2009 Masco Corporación de Indiana

#### GARANTIE À VIE LIMITÉE DES ROBINETS ET DE LEURS FINIS

Toutes les pièces et les finis du robinet Delta® sont protégés contre les défauts de matériau et les vices de fabrication par une garantie qui est consentie au premier acheteur et qui demeure valide tant que celui-ci demeure propriétaire de sa maison. Delta recommande de faire appel à un plombier compétent pour l'installation et la réparation du robinet.

Pendant la période de garantie, Delta remplacera GRATUITEMENT toute pièce ou tout fini, présentant une déficience de matériau ou un vice de fabrication pour autant que l'appareil ait été installé, utilisé et entretenu correctement. Pour obtenir des pièces de rechange, veuillez communiquer par téléphone au numéro 1-800-345-DELTA (aux États-Unis ou au Canada) et par écrit à l'une des adresses suivantes :

**Aux États-Unis**  
Delta Faucet Company  
Product Service  
55 E. 111th Street  
Indianapolis, IN 46280

**Au Canada**  
Masco Canada  
Centre de services techniques  
420 Burbrook Place  
London, Ontario N6A 4L6

La présente garantie s'applique au remplacement de toutes les pièces défectueuses, y compris le fini, et elle ne couvre que ces éléments. LES FRAIS DE MAIN-D'OEUVRE ET (OU) LES DOMMAGES PROVOQUÉS AU COURS DE L'INSTALLATION, DE LA RÉPARATION OU DU REMPLACEMENT D'UN ÉLÉMENT AINSI QUE LES PERTES OU

DOMMAGES DE TOUTE AUTRE NATURE NE SONT PAS COUVERTS PAR LA GARANTIE. Toute réclamation en vertu de la présente garantie doit être adressée à Delta, accompagnée de la preuve d'achat (original de la facture) du premier acheteur. CETTE GARANTIE EST LA SEULE OFFERTE PAR DELTA FAUCET COMPANY OU DELTA FAUCET CANADA, SELON LE CAS. ELLE EXCLUT TOUTE AUTRE GARANTIE, Y COMPRIS LA GARANTIE IMPLICITE DE QUALITÉ MARCHANDE.

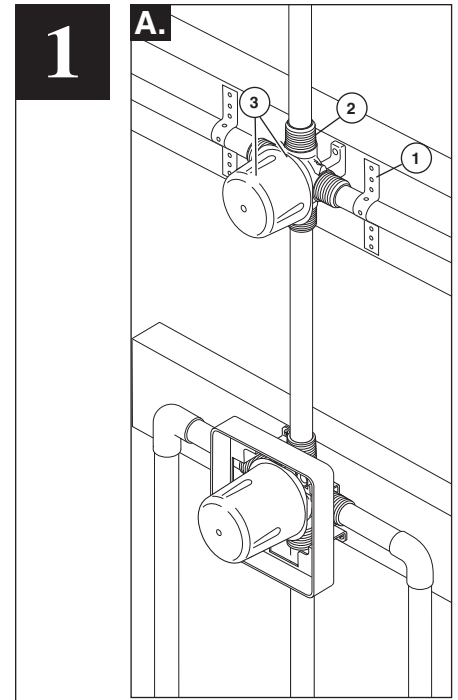
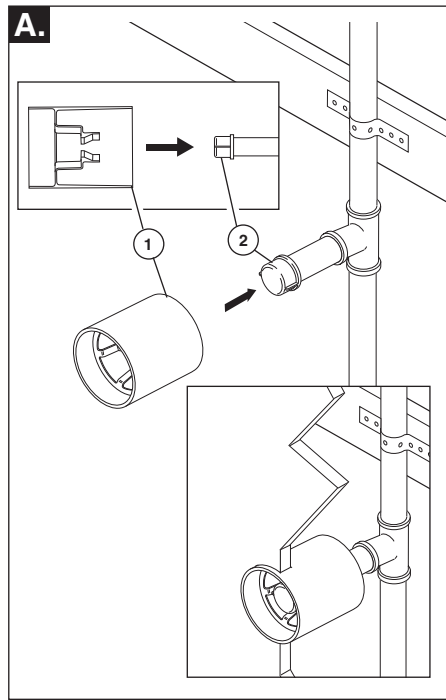
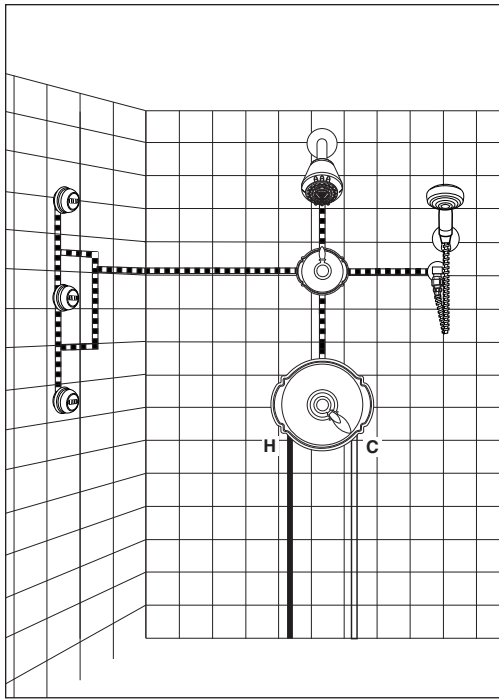
Les robinets installés dans un établissement industriel ou commercial ou dans une place d'affaires sont protégés par une garantie étendue de cinq ans qui prend effet à compter de la date d'achat. Toutes les autres conditions de la garantie de cinq ans sont identiques à celle de la présente garantie. La présente garantie s'applique à tous les robinets Delta® fabriqués après le 1er janvier 1995.

Dans les États ou les provinces où il est interdit d'exclure ou de limiter les responsabilités à l'égard des dommages indirects ou fortuits, les exclusions et les limites susmentionnées ne s'appliquent pas. Les dommages résultant d'une mauvaise utilisation, d'une utilisation abusive de la négligence ou de l'utilisation de pièces autres que des pièces d'origine Delta® RENDENT LA GARANTIE NULLE ET SANS EFFET.

La présente garantie vous donne des droits précis qui peuvent varier selon votre lieu de résidence. Elle ne s'applique qu'aux robinets Delta® installés aux États-Unis, au Canada et au Mexique.

© 2009 Division de Masco Indiana

50757



#### PLACEMENT GUIDE FOR R11000 SHOWER COMPONENTS

User height is one of the more important considerations when deciding on component placement in the Delta thermostatic shower system you have designed. Remember that all users should be taken into account, from the shortest to the tallest. Special considerations should also be made if children or seated bathers will be using the system.

1. The temperature/volume control should be placed about waist high, which is usually about 36" from the bottom of the shower enclosure.
2. The lowest body spray/body jet is usually placed at knee or thigh height.
3. The middle body spray/body jet is usually placed at hip or waist level.
4. The highest body spray/body jet is usually placed at shoulder or back height.

- A.** If using the model 50000 Delta body spray, use plasterguard RP42206 to maintain the proper hole size in the finished wall.

Prior to finish trim installation, a plasterguard has been provided to help maintain the proper sized opening in the finished wall.

To install this plasterguard, ensure you have the proper orientation of the plasterguard (1) then snap it over the pipe nipple cap (2). **Note:** The opening in the wall cavity must be between 2-7/8" (73 mm) and 3-3/4" (95 mm) for proper coverage.

- A.** Consider the type and thickness of your finished wall before placing your stringer back plate. Using pipe straps for thick wall installations (1), install the diverter (2) so the surface of the finished wall lies within the designated area on the plasterguard (3).

#### GUIA DE COLOCACIÓN PARA LOS COMPONENTES DE REGADERAS R11000

La altura de la persona que se va a duchar es una de las consideraciones más importantes cuando decide en la ubicación del componente en el sistema de regadera termostática de Delta que ha diseñado. Recuerde considerar todas las personas que van a usar la regadera, desde la más baja hasta la más alta. Consideraciones especiales deben también hacerse si niños o personas que se bañan sentadas van a usar el sistema.

1. El control de temperatura termostática debe colocarse aproximadamente a la altura de la cintura, que usualmente es 36" desde el fondo del compartimiento de la regadera.
2. El rociador/chorro de cuerpo más bajo usualmente se coloca a nivel de la rodilla o a nivel del muslo.
3. El rociador/chorro de cuerpo del medio usualmente se coloca a nivel de la cadera o la cintura.
4. El rociador/chorro más alto usualmente se coloca a la altura del hombro o espalda.

- A.** Si va a usar el modelo de rociador de cuerpo 50000 de Delta, use protector de yeso RP42206 para mantener el tamaño del agujero correcto en la pared acabada.

Antes de terminar con la instalación de las piezas accesorias, un protector de yeso se proporciona para ayudar a mantener la abertura de tamaño apropiado en la pared acabada.

Para instalar este protector de yeso, asegúrese que tenga la orientación apropiada del protector de yeso (1) luego colóquelo a presión sobre la tapa de la entrerroscas de la tubería (2). **Nota:** La abertura en la cavidad de la pared debe estar entre 2-7/8" (73 mm) y 3-3/4" (95 mm) para obtener una cobertura apropiada.

- A.** Considere el tipo y grosor de su pared acabada antes de colocar su chapa posterior del larguero. Instale la válvula (1) de manera que la superficie de la pared acabada quede entre el área designada en el protector de yeso (2), usando trabas de tubería (3).

#### GUIDE POUR LA MISE EN PLACE DES ÉLÉMENTS DU SYSTÈME DE DOUCHE R11000

La grandeur des utilisateurs est l'un des facteurs les plus importants dont vous devez tenir compte pour la mise en place des éléments de votre système de douche thermostatique Delta. N'oubliez pas que vous devez tenir compte de la grandeur de tous les utilisateurs, du plus petit au plus grand. Si des enfants ou des personnes assises utiliseront le système, il est particulièrement important d'en tenir compte.

1. La commande de température thermostatique doit se trouver au niveau de la taille, c'est-à-dire à environ 36 po du fond de l'enceinte de douche.
2. Le jet de douche inférieur est habituellement placé au niveau des genoux ou des cuisses.
3. Le jet de douche du milieu est habituellement placé au niveau des hanches ou de la taille.
4. Le jet de douche supérieur est habituellement placé au niveau des épaules ou du dos.

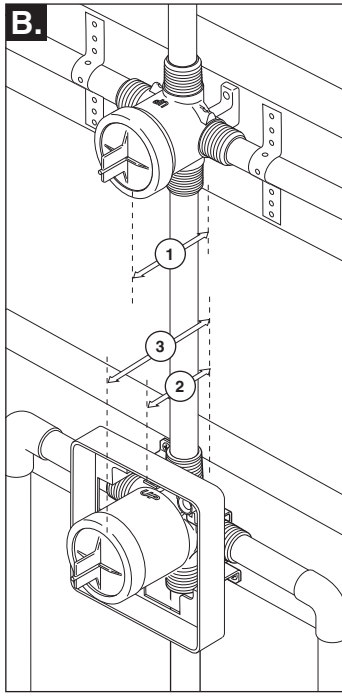
- A.** Pour installer le jet de douche Delta, modèle 50000, utilisez le protecteur d'orifice RP42206 pour que l'orifice dans la paroi conserve le bon diamètre.

Avant d'installer les éléments de finition, installez le protecteur d'orifice fourni pour que l'ouverture dans la paroi finie conserve la bonne taille.

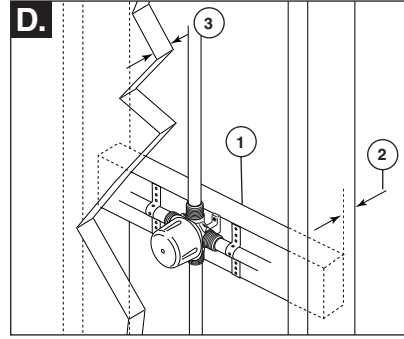
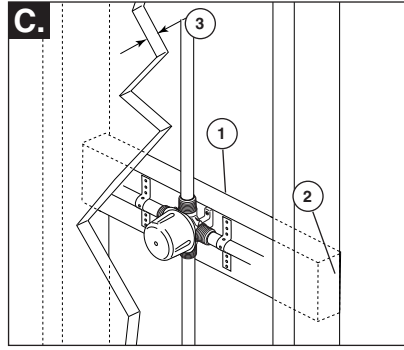
Avant d'installer le protecteur d'orifice (1), prenez soin de bien l'orienter, puis introduisez-le sur le capuchon (2) du manchon fileté du tuyau. **Note** - L'ouverture dans la paroi doit avoir entre 2-7/8 po (73 mm) et 3-3/4 po (95 mm).

- A.** Tenez compte du type et de l'épaisseur de la paroi finie avant d'installer le renfort. À l'aide de feuillards (1), installez la dérivation (2) de manière que la surface de la paroi finie coïncide avec la zone désignée sur le protecteur d'orifice (3).



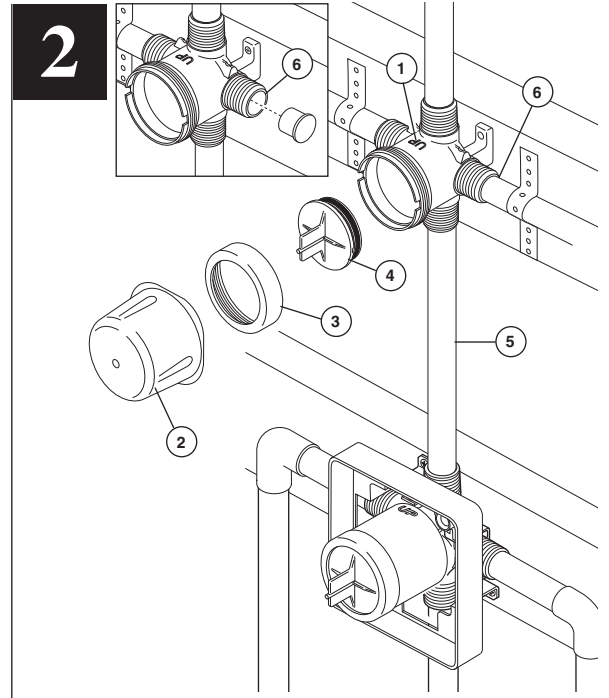


**B.** The distance (1) from the stringer to the front of the diverter bonnet is 3" (76 mm). Distance (2) from the stringer to the front of the valve plasterguard is 2.8" (71 mm). Distance (3) from the stringer to the front of the valve bonnet is 3.9" (99 mm).



**C.** This illustration shows the stringer (1) installed to maximize the wall depth. The stringer is flush with the back of the 2"x4" stud (2). In this position, you may utilize a finished wall thickness between 5/32" (4 mm) to 1-1/16" (27 mm) (3).

**D.** This illustration shows the stringer (1) installed to maximize the wall thickness. The stringer is installed 7/8" (22 mm) from the back of the 2"x4" stud (2). In this position, you may utilize a finished wall thickness between 1-1/16" (27 mm) to 2 -1/16" (52 mm) (3).



#### DIVERTER INSTALLATION

**Shut off water supplies.** Install the diverter so that the word "UP" (1) is facing upward as shown. Connect diverter to the desired valve. Remove plasterguard (2), bonnet (3), test cap and o-ring (4) prior to soldering. After soldering be sure to reinstall all parts. Line pressure can only be tested if the test cap and o-ring are installed and the bonnet is secured. Solder copper tubing (5) from diverter inlet to shower outlet of valve. Once secure, connect desired outlet devices. **Note: Plug right port (6) if using a 3-function diverter cartridge.**

**B.** La distancia (1) desde el larguero al frente del capuchón / bonete del desviador es de 3" (76 mm). La distancia (2) desde el larguero al frente del protector del yeso de la válvula es 2.8" (71 mm). La distancia (3) desde el larguero al frente del capuchón / bonete de la válvula es 3.9" (99 mm).

**C.** La ilustración muestra el larguero (1) instalado para maximizar la profundidad de la pared. El larguero queda junto al dorso del entramado de 2" x 4" (2). En esta posición, puede usar un grosor de pared acabada entre 5/32" (4 mm) to 1-1/16" (27 mm) (3).

**D.** La ilustración 2 muestra el larguero (1) instalado para maximizar el grosor de la pared. El larguero está instalado a 7/8" (22 mm) del dorso del entramado de 2" x 4" (2). En esta posición, puede usar un grosor de pared acabada entre 1-1/16" (27 mm) to 2 -1/16" (52 mm) (3).

#### INSTALACIÓN DEL DESVIADOR

**Cierre los suministros de agua.** Instale el desviador de manera que la palabra "UP" (1) quede hacia arriba como se muestra. Conecte el desviador a la válvula deseada. Quite el protector de yeso (2), el capuchón (3), la tapa de prueba y la junta tórica (4) antes de soldar. Después de soldar asegúrese de reinstalar todas las piezas. Sólo se puede probar la presión en las líneas si la tapa de prueba y la junta tórica están instaladas y el casquete están fijos. Suelde la tubería de cobre (5) de la entrada del desviador a la salida de la válvula de la regadera. Una vez que esté fijo, conecte los aparatos deseados. **Nota: Enchufe la toma derecho (6) si usando un cartucho desviador de 3 funciones.**

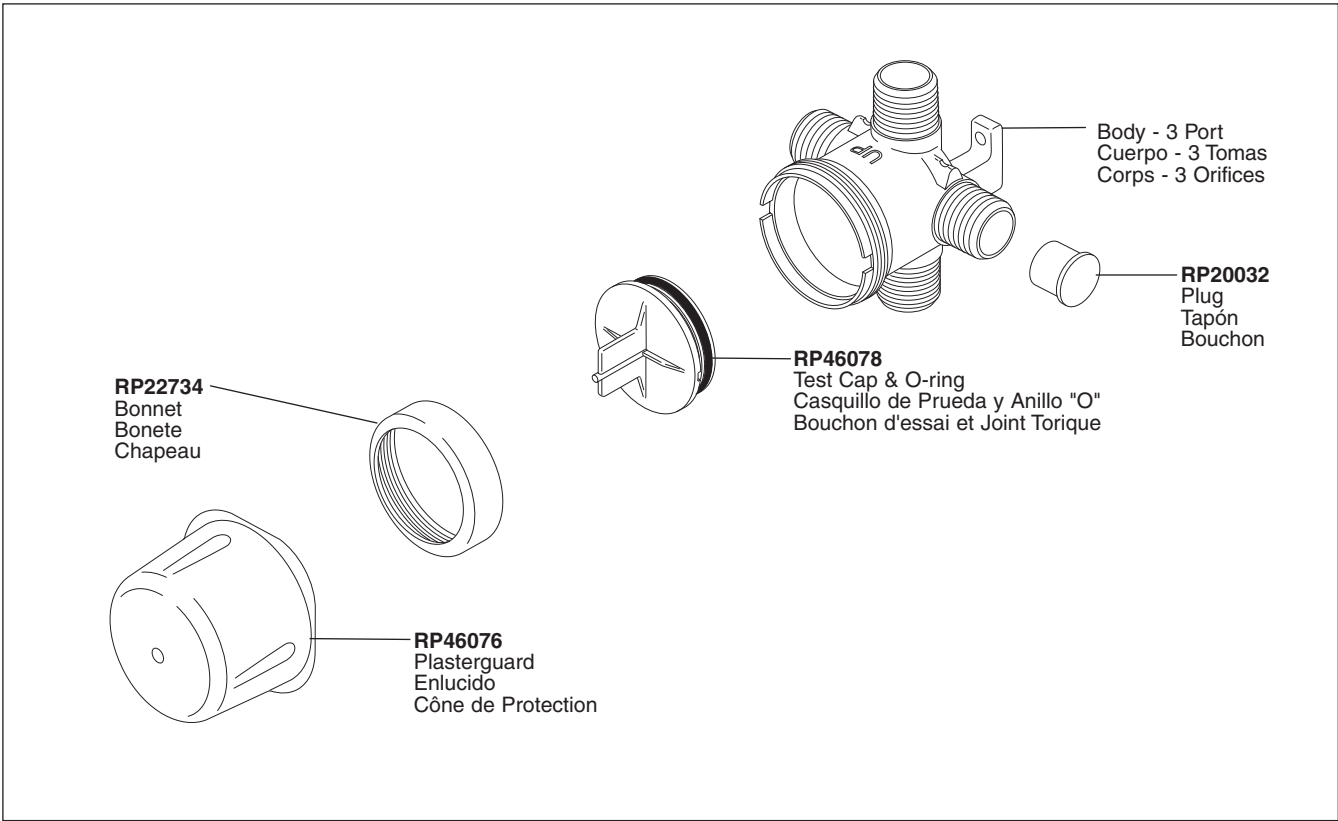
**B.** La distance (1) entre l'entretoise et l'avant du chapeau de l'inverseur est de 3 po (76 mm). La distance (2) entre l'entretoise et l'avant du protecteur est de 2,8 po (71 mm). La distance (3) entre l'entretoise et l'avant du chapeau de la soupape est de 3,9 po (99 mm).

**C.** La figure montre le renfort (1) installé de manière à optimiser la profondeur de la paroi. Le renfort se trouve au ras du dos du montant de 2 po sur 4 po (2). Cette position convient pour une paroi de 5/32 po (4 mm) à 1-1/16 po (27 mm) (3).

**D.** La figure montre le renfort (1) installé de manière à optimiser l'épaisseur de la paroi. Le renfort se trouve à 7/8 po (22 mm) du dos du montant de 2 po sur 4 po (2). Cette position convient à une paroi d'une épaisseur de 1-1/16 po (27 mm) à 2 -1/16 po (52 mm) (3).

#### INSTALLATION DE L'INVERSEUR

**Interrompez l'alimentation en eau.** Installez l'inverseur de sorte que le mot « UP » (1) se trouve orienté vers le haut comme le montre la figure. Raccordez l'inverseur au robinet. Enlevez le protecteur (2), le chapeau (3), le capuchon d'essai et le joint torique (4) avant de souder. Après le soudage, prenez soin de remettre tous les éléments en place. L'essai sous pression peut être réalisé uniquement si le capuchon d'essai et les joints toriques sont installés et si le chapeau est fixé. Soudez le tube en cuivre (5) entre l'entrée de l'inverseur et la sortie du robinet destinée à la douche. Raccordez ensuite les sorties requises. **Note : Vous devez obtenir l'orifice droite (6) si vous utilisez une cartouche d'inverseur à trois fonctions.**

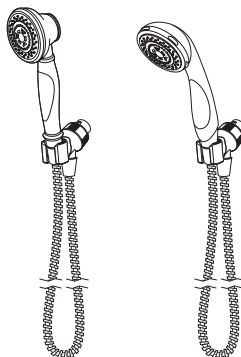




see what Delta can do™

86512

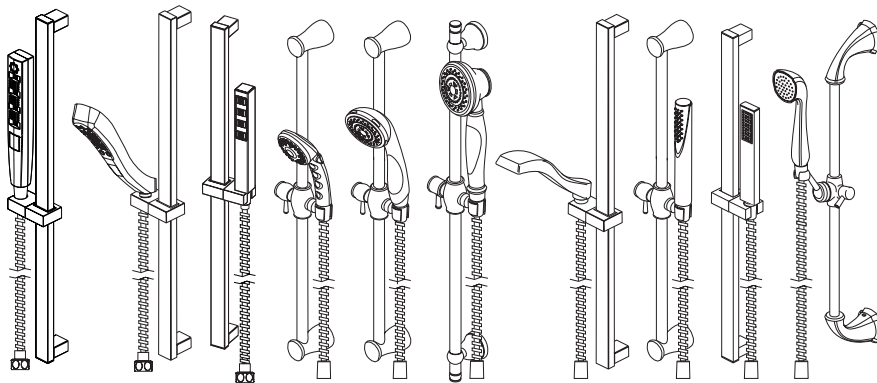
Write purchased model number here.  
Escriba aquí el número del modelo comprado.  
Inscrivez le numéro de modèle ici.



54613 & 56613 SERIES  
SHOWER MOUNT HAND SHOWER  
INSTALLATION INSTRUCTIONS

SERIES 54613 Y 56613  
INSTRUCCIONES PARA LA  
INSTALACIÓN DE LA REGADERA  
MANUAL EN LA REGADERA

SÉRIES 54613 ET 56613  
INSTRUCTIONS D'INSTALLATION  
DU PORTE-DOUCHE



51140, 51552, 51567, 57011, 57014, 57021,  
57051, 57085, 57530, & 59210 SERIES

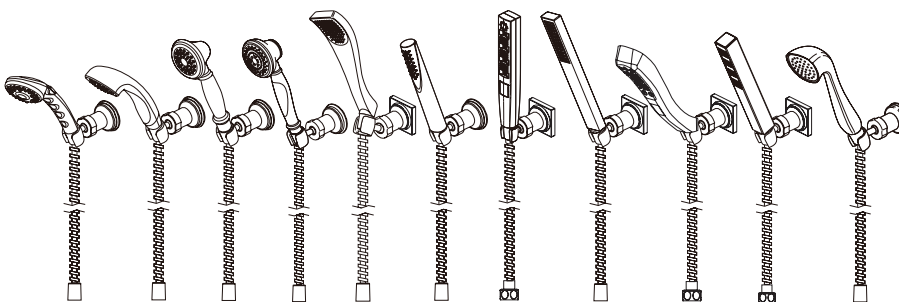
WALL BAR HAND SHOWER UNIT  
INSTALLATION INSTRUCTIONS

SERIES 51140, 51552, 51567, 57011, 57014,  
57021, 57051, 57085, 57530 Y 59210

INSTRUCCIONES PARA LA INSTALACIÓN  
DE LA BARRA EN LA PARED PARA  
SOSTENER LA REGADERA MANUAL

SÉRIES 51140, 51552, 51567, 57011, 57014,  
57021, 57051, 57085, 57530 ET 59210

INSTRUCTIONS D'INSTALLATION DE LA  
COULISSE DE DOUCHE À MAIN



55011, 55013, 55020, 55021, 55051, 55085, 55140,  
55530, 55552, 55567 & 57923 SERIES

WALL MOUNT HAND SHOWER  
INSTALLATION INSTRUCTIONS

SERIES 55011, 55013, 55020, 55021, 55051,  
55085, 55140, 55530, 55552, 55567 Y 57923

INSTRUCCIONES PARA LA INSTALACIÓN  
DE LA REGADERA MANUAL EN LA PARED

SÉRIES 55011, 55013, 55020, 55021, 55051,  
55085, 55140, 55530, 55552, 55567 ET 57923  
INSTRUCTIONS D'INSTALLATION DES  
SUPPORTS MURAUX

**For easy installation of your Delta faucet you will need:**

- To **READ ALL** the instructions completely before beginning.
- To **READ ALL** warnings, care, and maintenance information.
- To purchase the correct **water supply hook-up**.

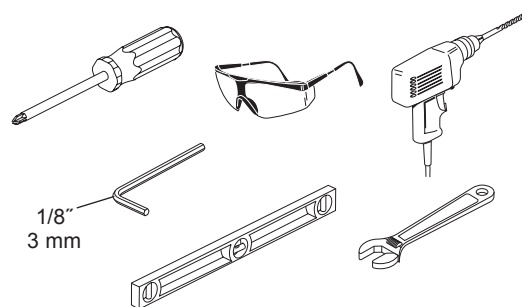
**Para instalación fácil de su llave Delta® usted necesitará:**

- **LEER TODAS** las instrucciones completamente antes de empezar.
- **LEER TODOS** los avisos, cuidados, e información de mantenimiento.
- Comprar las conexiones correctas para el **suministro de agua**.

**Pour installer votre robinet Delta® facilement, vous devez:**

- **LIRE TOUTES** les instructions avant de débiter;
- **LIRE TOUS** les avertissements ainsi que toutes les instructions de nettoyage et d'entretien;
- Acheter le bon nécessaire de raccordement.

**You may need / Usted puede necesitar /  
Articles dont vous pouvez avoir besoin:**



86512

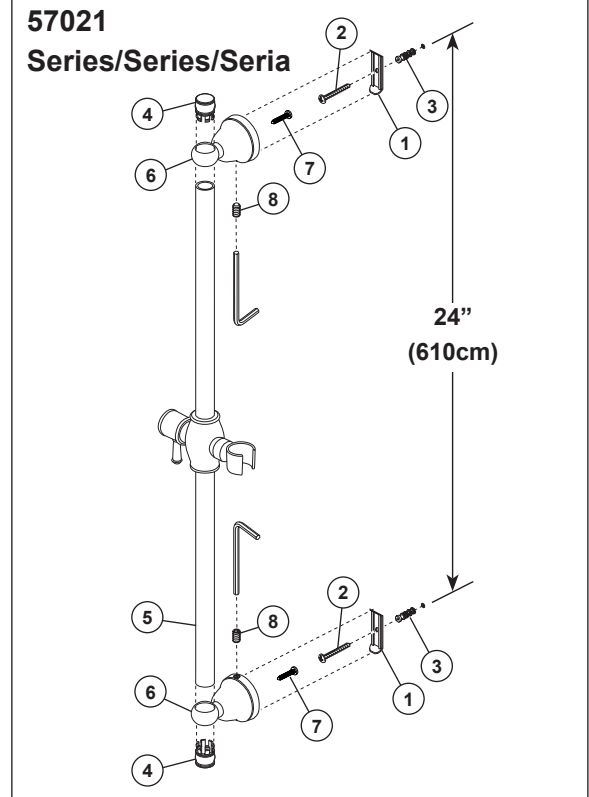
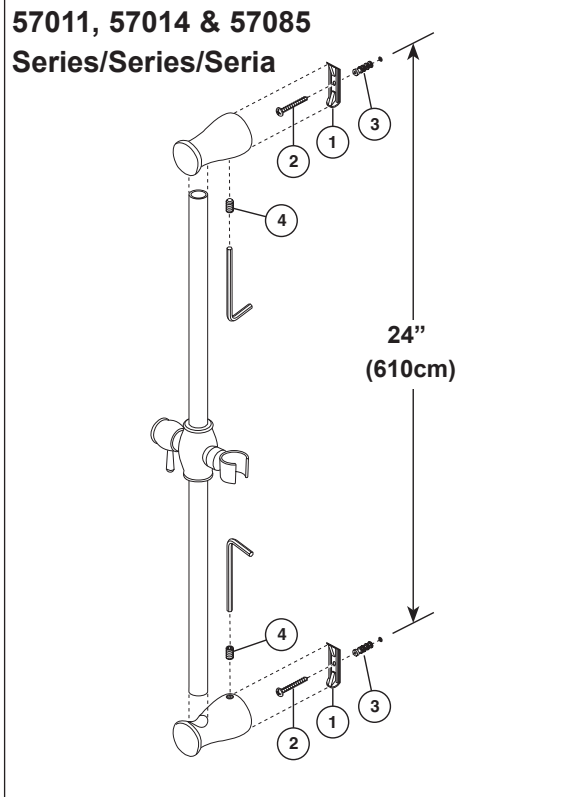
# 1

## Slide Bar Barra deslizable Coulisse

Select wall position for wall bar or wall mount bracket based on family's needs. **NOTE: Locate so there will be slack in the hose when hand shower is in extreme up or down position.** Follow the mounting instructions for your specific model.

Elija la posición en la pared para la barra de pared basada en las necesidades de su familia. **NOTA: Ubíquela de manera que tenga la manguera algo floja cuando use la regadera manual, en la posición extrema hacia arriba o hacia abajo.**

Choisissez un endroit sur le mur qui convient aux besoins de votre famille. **NOTE : Laissez suffisamment de jeu au tuyau de sorte que la douche à main puisse atteindre les points inférieur et supérieur extrêmes librement.**



### SLIDE BAR INSTALLATION

**Models 57011, 57014 & 57085:** Locate stud for secure mounting. Mark mounting locations at 24 inches on center. Secure brackets (1) on wall with screws (2). Use anchors (3) only if required. **Note: For ceramic tile installation drill holes in grout (if possible) and insert anchors.** For fiberglass/acrylic surfaces use toggle bolts (not included). Place wall bar assembly onto brackets and tighten set screws (4).

**Model 57021:** Locate stud for secure mounting. Mark mounting locations at 24 inches on center. Secure brackets (1) on wall with screws (2). Use anchors (3) only if required. **Note: For ceramic tile installation drill holes in grout (if possible) and insert anchors.** For fiberglass/acrylic surfaces use toggle bolts (not included). Remove caps (4) from both ends of the bar (5). Slide bar (5) into mount (6) and align the hole located in the side of the bar with the hole in the back of the mount. Install screw (7) through the hole in back of mount (6) and into the hole in the side of the bar (5). Repeat on the other end of the bar. Place wall bar assembly onto brackets and tighten set screws (8).

### INSTALACIÓN DE LA BARRA DESLIZABLE

**Los modelos 57011, 57014 y 57085:** Encuentre el entramado para obtener un montaje seguro. Marque la ubicación a 24 pulgadas en el centro. Fije los soportes (1) en la pared con tornillos (2). Use las anclas (3) sólo si es necesario. **Nota: Para los agujeros en losa/cerámica, perforo los agujeros en la lechada de cemento (si es posible) e inserte los anclajes.** Para la fibra de vidrio o superficies de acrílico use los pernos de palanca (no incluidos). Coloque el ensamble de la barra de pared en los soportes y apriete los tornillos de fijación (4).

**Los modelo 57021:** Encuentre el entramado para obtener un montaje seguro. Marque la ubicación a 24 pulgadas en el centro. Fije los soportes (1) en la pared con tornillos (2). Use las anclas (3) sólo si es necesario. **Nota: Para los agujeros en losa/cerámica, perforo los agujeros en la lechada de cemento (si es posible) e inserte los anclajes.** Para la fibra de vidrio o superficies de acrílico use los pernos de palanca (no incluidos). Retire las tapas (4) de ambos extremos de la barra (5). Deslice la barra (5) en el soporte (6) y alinee el orificio ubicado en el costado de la barra con el orificio en la parte posterior del soporte. Instale el tornillo (7) a través del orificio en la parte posterior del soporte (6) y en el orificio en el lado de la barra (5). Repita en el otro extremo de la barra. Coloque el conjunto de la barra de pared sobre los soportes y apriete los tornillos de fijación (8).

### INSTALLATION DE LA COULISSE

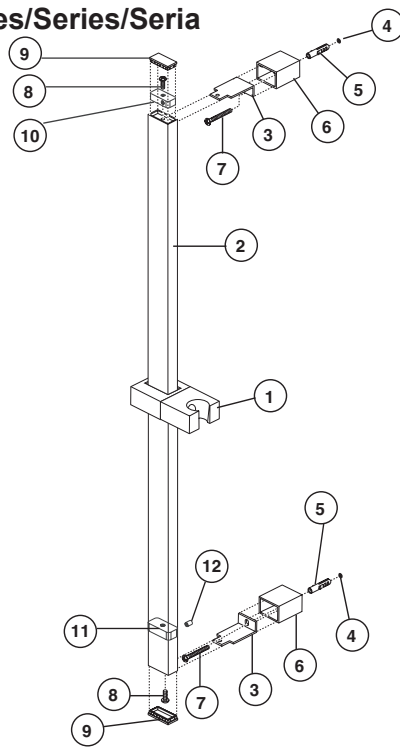
**Modèles 57011, 57014 et 57085:** Localisez un montant où la barre murale pourra être fixée solidement. Marquez les points de fixation espacés de 24 pouces centre à centre. Fixez les fixations (1) au mur à l'aide des vis (2). Utilisez des ancrages (3) au besoin seulement. **Note: Si vous installez la barre sur des carreaux de céramique, percez les trous dans le coulis (dans la mesure du possible) et insérez des ancrages.** Dans les surfaces en acrylique ou en fibre de verre, utilisez des boulons à ailettes (non inclus). Placez la barre murale sur les fixations et serrez les vis de calage (4).

**Modèle 57021:** Localisez un montant où la barre murale pourra être fixée solidement. Marquez les points de fixation espacés de 24 pouces centre à centre. Fixez les fixations (1) au mur à l'aide des vis (2). Utilisez des ancrages (3) au besoin seulement. **Note: Si vous installez la barre sur des carreaux de céramique, percez les trous dans le coulis (dans la mesure du possible) et insérez des ancrages.** Dans les surfaces en acrylique ou en fibre de verre, utilisez des boulons à ailettes (non inclus). Retirez les capuchons (4) des deux extrémités de la barre (5). Glissez la barre (5) dans la monture (6) et alignez le trou situé sur le côté de la barre avec le trou à l'arrière de la monture. Installez la vis (7) à travers le trou à l'arrière du support (6) et dans le trou sur le côté de la barre (5). Répétez à l'autre bout de la barre. Placer l'assemblage de la barre murale sur les supports et serrer les vis de réglage (8).

**Slide Bar  
Barra deslizable  
Coulisse**

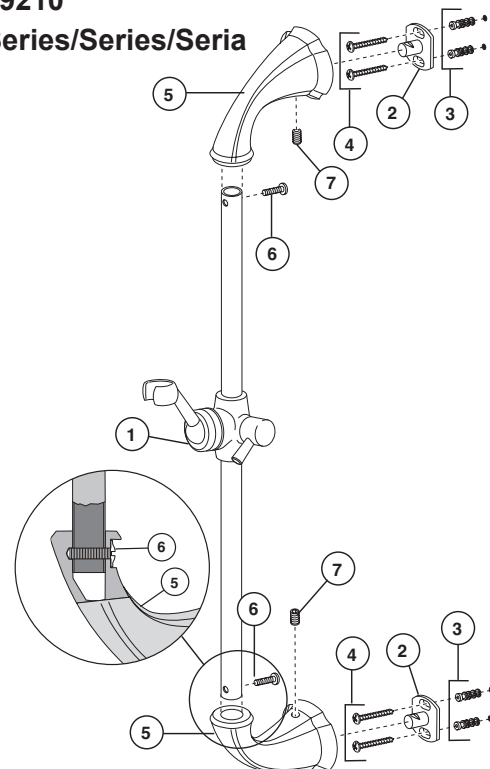
**51140, 51552, 51567, 57051 & 57530**

**Series/Series/Seria**



**59210**

**Series/Series/Seria**



**SLIDE BAR INSTALLATION**

**Model 51140, 51552, 51567, 57051 & 57530:** Slide the slide mechanism (1) and elbow (10) onto the wall bar (2). The slide mechanism must be on the bar before mounting it to the brackets. Temporarily insert brackets (3) into slots in wall bar. Using a level, position the bar in a level vertical position and mark the drill holes (4). Move the bar out of the way and drill 1/4" holes. **Note: For ceramic tile installation, drill holes in grout (if possible) and insert anchors. For fiberglass/acrylic surfaces, use toggle bolts (not included).** For most secure mounting, attach to wall stud. Insert anchors (5) into drilled holes. Remove brackets (3) from wall bar. Slide covers (6) over brackets, and insert screws (7) into bracket/cover assembly. Secure assembly to wall with screws. Slide wall bar over bracket tabs and secure the wall bar unit with screws (8) provided. Install caps (9) into ends of wall bar. Lower elbow (11) & screw (12) was pre-installed prior to shipping, tighten screw if you find it is sliding inside bar.

**SLIDE BAR INSTALLATION**

**Model 59210 -** Slide the slide mechanism (1) onto the bar. The slide mechanism must be on the bar before mounting it to the brackets. Secure mounting posts (2) to wall with anchors (3) and screws (4). **Note: For ceramic tile installation, drill holes in grout (if possible) and insert anchors. For fiberglass/acrylic surfaces, use toggle bolts (not included).** Install end brackets (5) onto slide bar with screws (6). End brackets must be attached before the next step. Place slide bar assembly over mounting posts (2) and secure with set screws (7).

**INSTALACIÓN DE LA BARRA DESLIZABLE**

**Modelos 51140, 51552, 51567, 57051 y 57530 -** deslice el mecanismo de deslizamiento (1) y codo (10) en la barra del apareo (2). El mecanismo de deslizamiento debe estar en la barra antes de montar los soportes. Temporalmente inserte los soportes (3) en las ranuras en la barra de la pared. Con un nivel, coloque la barra en posición nivelada, vertical, y marque los agujeros de perforación (4). Mueva la barra a un lado y perforo los agujeros de 1/4". **Nota: Para la instalación en baldosas de cerámica, perforo los agujeros en la lechada (si es posible) e inserte las anclas.** Para obtener una instalación segura, fije al entramado de la pared. En superficies de fibra de vidrio / acrílicas, use pernos fiadores (no incluidos). Inserte las anclas (5) en los agujeros perforados. Quite los soportes (3) de la barra de la pared. Deslice las tapas de cubierta (6) sobre los soportes e inserte los tornillos (7) en el ensamble del soporte/tapa. Fije el ensamble a la pared con tornillos. Deslice la barra de la pared sobre las lengüetas del soporte y fije la unidad de la barra de la pared con los tornillos (8) incluidos. Instale las tapas (9) en los extremos de la barra de la pared. Antes del envío, por debajo del codo (11) y los tornillos (12) han sido conectadas en el producto, si se encuentra baja la suelta, apriete los tornillos por favor.

**INSTALACIÓN DE LA BARRA DESLIZABLE**

**Modelo 59210 -** Deslice el mecanismo de la diapositiva (1) sobre la barra. El mecanismo de la diapositiva debe ser en la barra antes del montaje él a los soportes. Asegure los postes del montaje (2) a la pared con las anclas (3) y los tornillos (4). **Nota: Para la instalación de la baldosa cerámica, los agujeros de taladro en lechada (si es posible) y las anclas del parte movable. Para la fibra de vidrio/las superficies de acrílico, utilice los pernos de palanca (no incluidos).** Instale los soportes del extremo (5) sobre barra de diapositiva con los tornillos (6). Los soportes del extremo se deben atar antes del paso siguiente. Ponga el montaje de la barra de diapositiva sobre los postes del montaje (2) y asegúrelo con los tornillos de presión (7).

**INSTALLATION DE LA COULISSE**

**Modèles 51140, 51552, 51567, 57051 et 57530 -** Glissez le coulisseau (1) en coude (10) sur la barre murale (2). Vous devez placer le coulisseau sur la barre avant de monter celle-ci sur les fixations. Insérez temporairement les fixations (3) dans les rainures de la barre murale. À l'aide d'un niveau, placez la barre murale parfaitement à la verticale et marquez l'emplacement des trous à percer (4). Enlevez la barre et percez les trous de 1/4 po. **Note: Si vous installez la barre sur des carreaux de céramique, percez les trous dans les joints de coulis dans la mesure du possible et insérez des ancrages.** Pour installer la barre aussi solidement que possible, fixez-la dans un montant. Si la surface est en fibre de verre ou en acrylique, utilisez des boulons à ailettes (non fournis). Insérez les ancrages (5) dans les trous. Retirez les fixations (3) de la barre murale. Glissez les couvercles (6) sur les fixations et introduisez les vis (7) dans les fixations avec leur couvercle. Fixez les fixations avec leur couvercle au mur en serrant les vis. Glissez la barre murale sur les pattes des fixations et fixez-la avec les vis (8) fournies. Installez les capuchons (9) dans les extrémités de la barre murale. Le coude inférieur (11) et la vis ont (12) été préinstallés avant l'expédition, serrez la vis si vous constatez qu'il glisse à l'intérieur de la barre.

**INSTALLATION DE LA COULISSE**

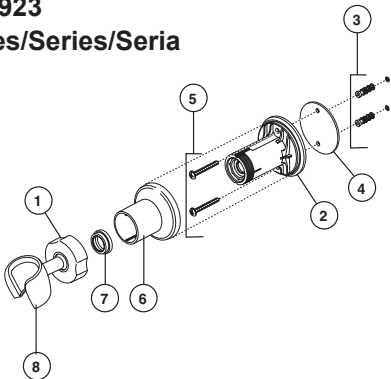
**Modèle 59210 -** Glissez le mécanisme de glissière (1) sur la barre. Le mécanisme de glissière doit être sur la barre avant le support lui aux parenthèses. Fixez les poteaux de support (2) au mur avec des ancrés (3) et des vis (4). **Note: Pour l'installation de carreau de céramique, les trous de foret en coulis (si possible) et les ancrés d'insertion. Pour la fibre de verre/surfaces acryliques, utilisez les boulons à bascule (non inclus).** Installez les parenthèses d'extrémité (5) sur la barre coulissante avec des vis (6). Des parenthèses d'extrémité doivent être attachées avant la prochaine étape. Placez le montage de barre coulissante au-dessus des poteaux de support (2) et le fixez avec des vis de réglage (7).



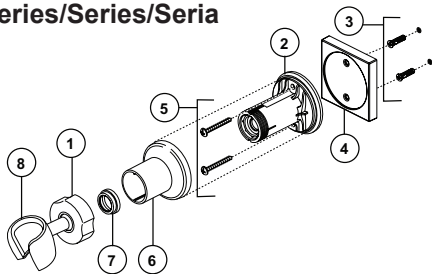
## Wall Mount Montaje en la pared Supports Muraux

55011, 55013, 55020, 55021, 55085  
& 57923

Series/Series/Seria



55552, 55567, 55051, 55140 & 55530  
Series/Series/Seria



### WALL MOUNT BRACKET INSTALLATION

**Models 55011, 55013, 55020, 55021, 55051, 55085, 55140, 55530, 55552, 55567 & 57923** - Select wall position for hand shower wall mount based on family's needs. Remove the locknut (1) from the bracket (2). Using the bracket (2), mark the 2 holes in the desired location. Remove the bracket and drill 1/4" holes. Insert anchors (3). **Note: For ceramic tile installation, drill holes in grout (if possible) and insert anchors. For fiberglass/acrylic surfaces, use toggle bolts (not included).** Secure the wall bracket (2) and gasket (4) with the screws (5) provided. Slide the bracket cover (6) over the bracket. Install glide ring (7). Install hand shower mount (8) onto bracket (2). Secure locknut (1).

### INSTALACIÓN DEL MONTAJE EN LA PARED

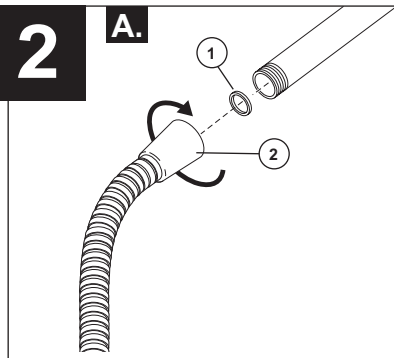
**Modelos 55011, 55013, 55020, 55021, 55051, 55085, 55140, 55530, 55552, 55567 y 57923** - Posición selecta de la pared para el montaje de la pared de la ducha de la mano basado en las necesidades de la familia. Para la mayoría de montaje seguro, se adhiere al poste de la pared. Quite la tuerca de fijación (1) del soporte (2). Usando el soporte (2), marque los 2 agujeros en la localización deseada. Quite el soporte y el taladro 1/4" agujeros. Inserte las anclas (3). **Nota: Para la instalación de la baldosa cerámica, los agujeros de taladro en lechada (si es posible) y las anclas del parte movable. Para la fibra de vidrio/las superficies de acrílico, utilice los pernos de palanca (no incluidos).** Asegure el soporte de pared (2) y la junta (4) o brida (4) (Sólo para los modelo 55567) con los tornillos (5) proporcionados. Deslice la cubierta del soporte (6) sobre el soporte. Instale el anillo del deslizamiento (7). Instale el montaje de la ducha de la mano (8) sobre el soporte (2). Asegure la tuerca de fijación (1).

### INSTALLATION DES SUPPORTS MURAUX

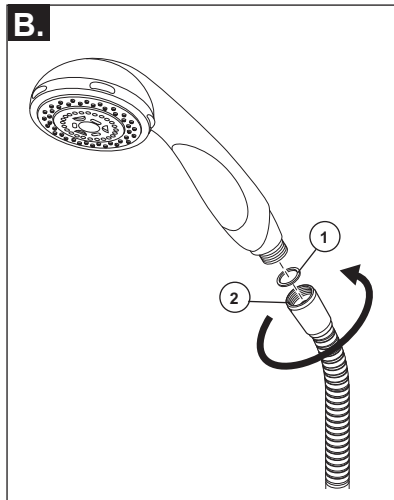
**Modèles 55011, 55013, 55020, 55021, 55051, 55085, 55140, 55530, 55552, 55567 et 57923** - Position choisie de mur pour le bâti de mur de douche de main basé sur les besoins du famille. Pour la plupart de montage sécurisé, se fixer au poteau de mur. Enlevez le contre-écrou (1) de la parenthèse (2). Utilisant la parenthèse (2), marquez les 2 trous dans l'endroit désiré. Enlevez l'enthèse et le foret 1/4" trous. Insérez les ancrés (3). Note: Pour l'installation de carreau de céramique, les trous de foret en coulis (si possible) et les ancrés d'insertion. Pour la fibre de verre/surfaces acryliques, utilisez les boulons à bascule (non inclus). Fixez la parenthèse de mur (2) et la garniture (4) ou collerette (4) (modèle 55567 seulement) avec les vis (5) fournies. Glissez la couverture de parenthèse(6) audessus de la parenthèse. Installez l'anneau de glissement (7). Installez le bâti de douche de main (8) sur la parenthèse (2). Fixez le contre-écrou (1).

2

A.



B.



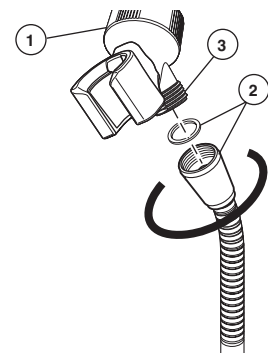
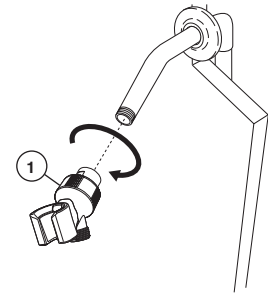
- A.** Ensure gasket (1) is inserted into the hose (2). Connect the hose to your designated water supply.
- B.** **Connect tapered end of hose to hand shower:** Seat the gasket (1) firmly into the hose nut (2). Carefully align the thread of the tapered end of the hose (2) directly to the hand shower. **Hand Tighten – do not use a wrench or pliers.** Then place the hand shower into the wall mount holder.

- A.** Asegúrese que el empaque o junta (1) esté introducido dentro de la manguera (2). Conecte la manguera al suministro de agua designado.
- B.** **Conecte el extremo estrecho de la manguera a la regadera manual:** Asiente la arandela (1) firmemente en la tuerca de la manguera (2). Cuidadosamente, alinee el enrosque del extremo estrecho de la manguera (2) directamente a la regadera manual. **Apriete a mano – no use llave de tuercas o alicates.** Luego coloque la regadera manual en el sujetador en la barra de la pared.

- A.** Assurez-vous que le joint (1) est inséré dans le tuyau souple (2). Raccordez le tuyau souple au tuyau d'alimentation en eau.
- B.** **Raccordez l'embout conique du tuyau souple à la douche à main:** Mettez solidement en place la rondelle (1) dans l'écrou (2) du tuyau souple. Alignez soigneusement le filetage de l'embout conique du tuyau souple (2) directement avec la douche à main. **Serrez à la main – n'utilisez pas de clé ni de pince.** Placez ensuite la douche à main dans le porte-douche.

## Shower Mount Regadera en la pared Porte-douche

54613 & 56613  
Series/Series/Seria



### SHOWER MOUNT INSTALLATION

**Models 54510, 54513** - Remove present shower head. Screw the hand shower bracket (1) to the shower arm. Attach the shower hose and gasket (2) to the threaded connection (3) on the bottom of the bracket.

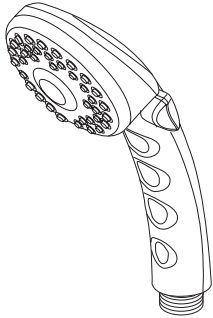
### INSTALACIÓN DE LA REGADERA EN LA PARED

**Modelos 54510 y 54513** - Quite la cabeza de la regadera existente. Atornille el sujetador de la regadera manual (1) al brazo de la regadera. Conecte la manguera de la regadera y el empaque (2) a la conexión enroscada (3) en la parte inferior del sujetador.

### INSTALLATION DU PORTE-DOUCHE

**Modèles 54510 et 54513** - Enlevez la pomme de douche existante. Vissez la de la fixation douche à main (1) au manchon de la douche. Fixez le tuyau souple de la douche et le joint (2) au raccord fileté (3) au bas de la fixation.

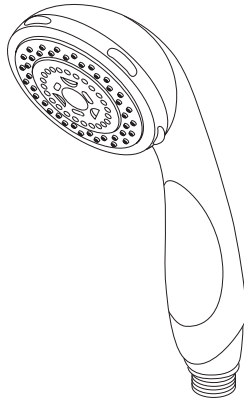
**55011 & 57011**  
**Series/Series/Seria**



**Transitional Hand Piece**  
**2 Setting**  
**Pieza de Mano Transicional**  
**2 Ajustes**  
**Douche à main Transicional**  
**2 réglages**

**RP7405▲**  
Hand Held Shower  
Regadera de Mano  
Douche à main

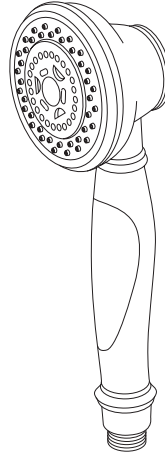
**57014 & 56613**  
**Series/Series/Seria**



**Transitional Hand Piece**  
**3 Setting**  
**Pieza de Mano Transicional**  
**3 Ajustes**  
**Douche à main Transicional**  
**3 réglages**

**RP48769▲**  
Hand Held Shower  
Regadera de Mano  
Douche à main

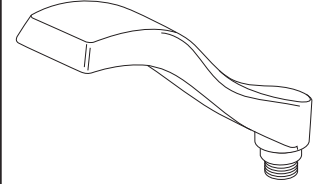
**55021,57021& 54613**  
**Series/Series/Seria**



**Traditional Hand Piece**  
**3 Setting**  
**Pieza de Mano Tradicional**  
**3 Ajustes**  
**Douche à main Tradicional**  
**3 réglages**

**RP48770▲**  
Hand Held Shower  
Regadera de Mano  
Douche à main

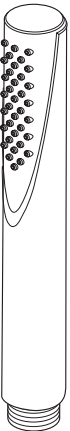
**55051 & 57051**  
**Series/Series/Seria**



**Dryden™ Hand Piece**  
**Single Setting**  
**Pieza de Mano Dryden™**  
**Un Ajuste**  
**Douche à main Dryden™**  
**Un réglage**

**RP52589▲**  
Hand Held Shower  
Regadera de Mano  
Douche à main

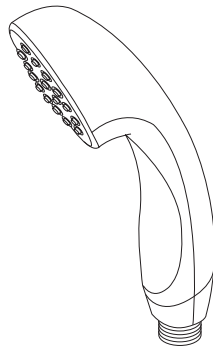
**55085 & 57085**  
**Series/Series/Seria**



**Trinsic™ / Compel™**  
**Single Function**  
**Pieza de Mano Trinsic™ /**  
**Compel™ Una Función**  
**Douche à main Trinsic™ /**  
**Compel™ Une fonction**

**RP73384▲**  
Hand Held Shower  
Ducha Manual

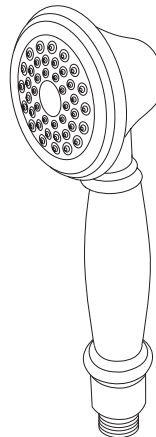
**55013**  
**Series/Series/Seria**



**Transitional Hand Piece**  
**Single Setting**  
**Pieza de Mano Transicional**  
**Un Ajuste**  
**Douche à main Transicional**  
**Un réglage**

**RP46683▲**  
Hand Held Shower  
Ducha Manual

**55020**  
**Series/Series/Seria**



**Traditional Hand Piece**  
**Single Setting**  
**Pieza de Mano Tradicional**  
**Un Ajuste**  
**Douche à main Tradicional**  
**Un réglage**

**RP46680▲**  
Hand Held Shower  
Ducha Manual

**55530 & 57530**  
**Series/Series/Seria**

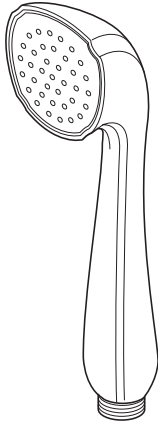


**Vero™ Hand Piece**  
**Single Setting**  
**Pieza de Mano Vero™**  
**Un Ajuste**  
**Douche à main Vero™**  
**Un réglage**

**RP62954▲**  
Hand Held Shower  
Ducha Manual

▲Specify Finish / Especificque el Acabado / Précisez le Fini

**57923 & 59210  
Series/Series/Seria**



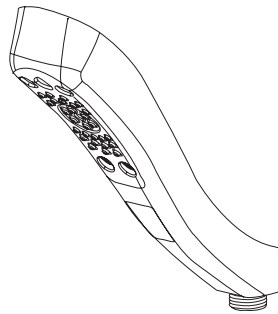
**Addison® Hand Piece  
Single Setting  
Pieza de Mano Addison®  
Un Ajuste  
Douche à main Addison®  
Un réglage**

**51567 & 55567  
Series/Series/Seria**



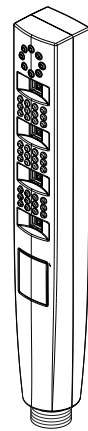
**Ara™ Hand Piece  
Single Setting  
Pieza de Mano Ara™  
Un Ajuste  
Douche à main Ara™  
Un réglage**

**51552 & 55552  
Series/Series/Seria**



**Hand Piece 4 Setting  
Pieza de Mano 4 Ajustes  
Douche à main 4 réglages**

**51140 & 55140  
Series/Series/Seria**



**Hand Piece 5 Setting  
Pieza de Mano 5 Ajustes  
Douche à main 5 réglages**

**RP61294▲**  
Mounting Bracket  
Consola de montaje  
Support

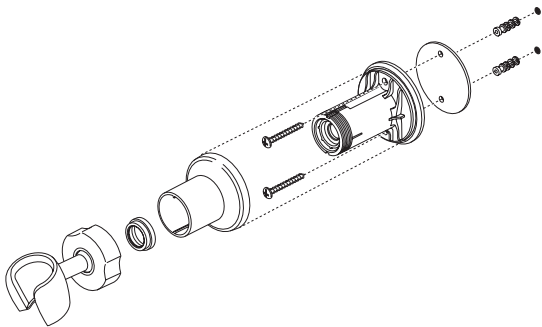
**RP61283▲**  
Hand Held Shower  
Regadera de Mano  
Douche à main

**59567-PK▲**  
Handshower  
Regadera de Mano  
Douche à main

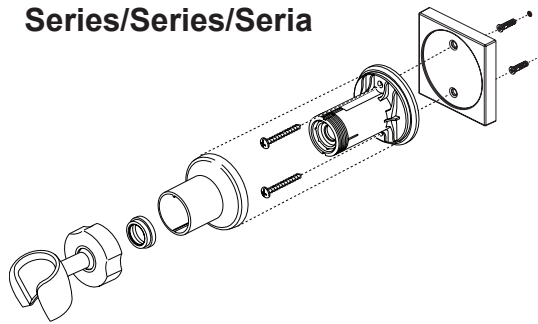
**59552-PK▲**  
Handshower  
Regadera de Mano  
Douche à main

**59140-PK▲**  
Handshower  
Regadera de Mano  
Douche à main

**55011, 55013, 55020, 55021, 55085  
& 57923  
Series/Series/Seria**

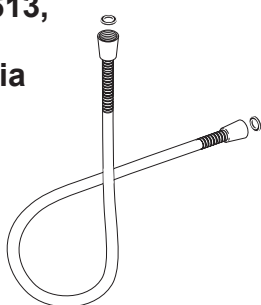


**55552, 55567, 55051, 55140  
& 55530  
Series/Series/Seria**



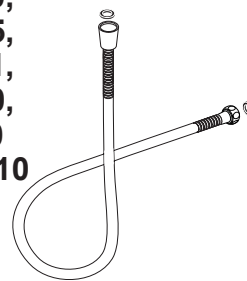
**U4010-PK▲**  
Handshower holder  
Teleducha titular  
Support douchette

**55011, 55013, 56613,  
57011 & 57014  
Series/Series/Seria**



**RP64157▲**  
Hose & Gaskets  
Manguera y Empaques  
Tuyau souple et joints

**51552, 54613, 55020,  
55021, 55051, 55085,  
55530, 55552, 57021,  
57051, 57085, 57530,  
57923, 51140, 55140  
51567, 55567 & 59210  
Series/Series/Seria**

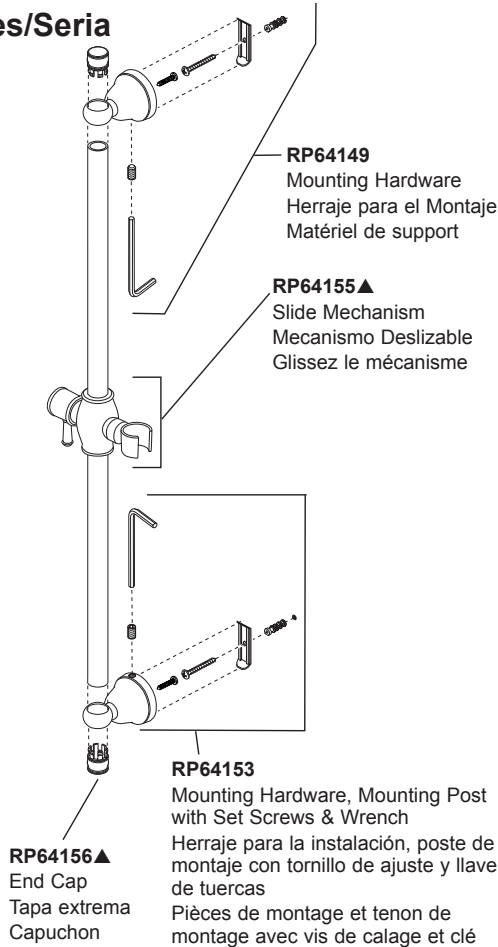


**U495D -▲60-PK**  
Hose & Gaskets  
Manguera y Empaques  
Tuyau souple et joints

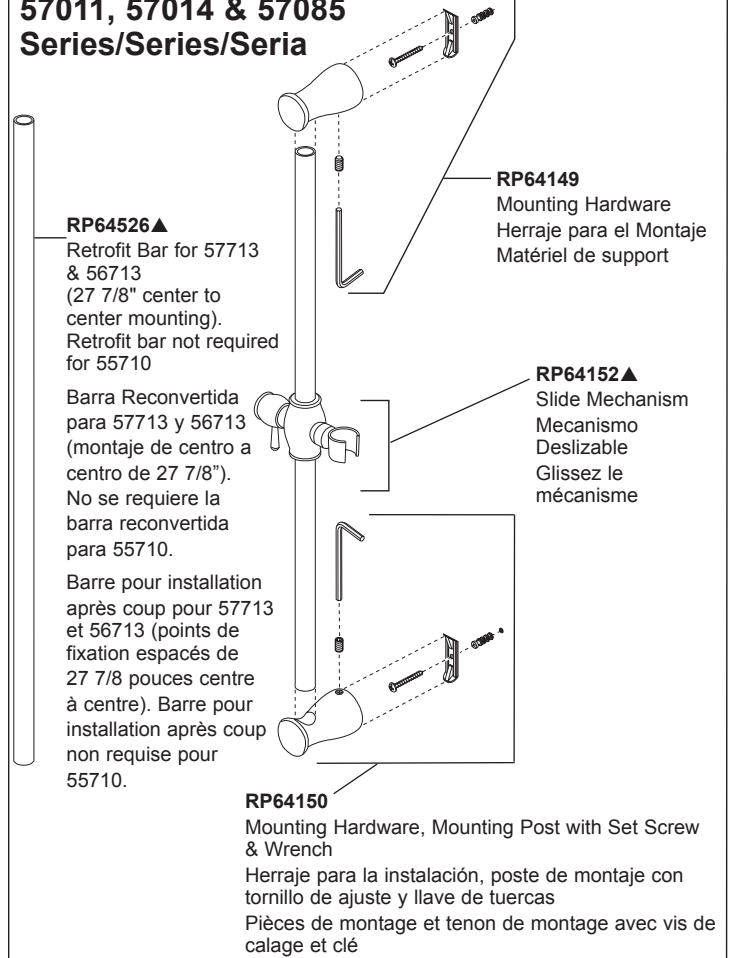
▲Specify Finish / Especificque el Acabado / Précisez le Fini



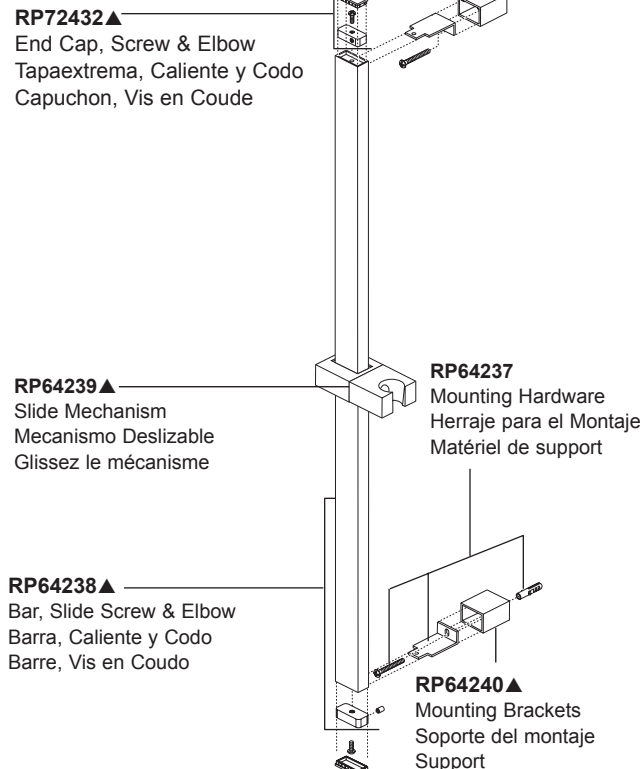
**57021**  
Series/Series/Seria



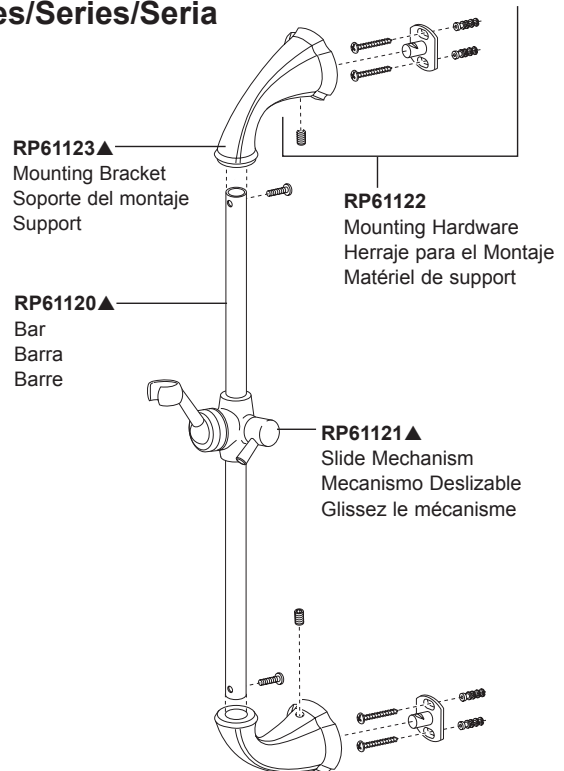
**57011, 57014 & 57085**  
Series/Series/Seria



**51140, 51552, 51567, 57051 & 57530**  
Series/Series/Seria



**59210**  
Series/Series/Seria



▲Specify Finish / Especificque el Acabado / Précisez le Fini

## Backflow Protection System

Your Delta® faucet handshower incorporates a backflow protection system that has been tested to be in compliance with ASME A112.18.3 and ASME A112.18.1 / CSA B125.1. It incorporates two certified check valves in series, which operate independently and are integral, non-serviceable parts of the wand assembly.

### Limited Warranty on Delta® Faucets

#### Parts and Finish

All parts (other than electronic parts and batteries) and finishes of this Delta® faucet are warranted to the original consumer purchaser to be free from defects in material and workmanship for as long as the original consumer purchaser owns the home in which the faucet was first installed or, for commercial users, for 5 years from the date of purchase.

#### Electronic Parts and Batteries (if applicable)

Electronic parts (other than batteries), if any, of this Delta® faucet are warranted to the original consumer purchaser to be free from defects in material and workmanship for 5 years from the date of purchase or, for commercial users, for one year from the date of purchase. No warranty is provided on batteries.

Delta Faucet Company will replace, FREE OF CHARGE, during the applicable warranty period, any part or finish that proves defective in material and/or workmanship under normal installation, use and service. If repair or replacement is not practical, Delta Faucet Company may elect to refund the purchase price in exchange for the return of the product. **These are your exclusive remedies.**

Delta Faucet Company recommends using a professional plumber for all installation and repair. We also recommend that you use only genuine Delta® replacement parts.

Delta Faucet Company shall not be liable for any damage to the faucet resulting from misuse, abuse, neglect or improper or incorrectly performed installation, maintenance or repair, including failure to follow the applicable care and cleaning instructions.

Replacement parts may be obtained by calling the applicable number below or by writing to:

#### In the United States and Mexico:

Delta Faucet Company  
Product Service  
55 E. 111th Street  
Indianapolis, IN 46280  
1-800-345-DELTA (3358)  
customerservice@deltafaucet.com

#### In Canada:

Masco Canada Limited, Plumbing Group  
Technical Service Centre  
350 South Edgeware Road  
St. Thomas, Ontario, Canada N5P 4L1  
1-800-345-DELTA (3358)  
customerservice@mascoincanada.com

Proof of purchase (original sales receipt) from the original purchaser must be made available to Delta Faucet Company for all warranty claims unless the purchaser has registered the product with Delta Faucet Company. This warranty applies only to Delta® faucets manufactured after January 1, 1995 and installed in the United States of America, Canada and Mexico.

DELTA FAUCET COMPANY SHALL NOT BE LIABLE FOR ANY SPECIAL, INCIDENTAL OR CONSEQUENTIAL DAMAGES (INCLUDING LABOR CHARGES) FOR BREACH OF ANY EXPRESS OR IMPLIED WARRANTY ON THE FAUCET. Some states/provinces do not allow the exclusion or limitation of special, incidental or consequential damages, so these limitations and exclusions may not apply to you. This warranty gives you special legal rights. You may also have other rights which vary from state/province to state/province.

This is Delta Faucet Company's exclusive written warranty and the warranty is not transferable.

If you have any questions or concerns regarding our warranty, please view our Warranty FAQs at [www.deltafaucet.com](http://www.deltafaucet.com), email us at [customerservice@deltafaucet.com](mailto:customerservice@deltafaucet.com) or call us at the applicable number above.

© 2017 Delta Faucet Company of Indiana

## Sistema de protección contra el contraflujo

Su regadera de mano de Delta® incorpora un sistema de protección de contra-flujo que ha sido probado y cumple con ASMEA112.18.3 y ASMEA112.18.1/CSAB125.1. Este incorpora en la pieza de mano dos válvulas de retención o checadoras certificadas en una serie, las cuales operan independientemente y son piezas integrantes que no requieren servicio.

### Garantía Limitada de las Llaves de Agua (grifos) Delta®

#### Piezas y acabado

Todas las piezas (excepto las piezas electrónicas y las pilas) y los acabados de esta llave de agua Delta® están garantizados al consumidor comprador original de estar libres de defectos en material y fabricación durante el tiempo que el comprador original posea la vivienda en la que la llave de agua fue originalmente instalada o, para los consumidores comerciales, durante 5 años a partir de la fecha de compra.

#### Componentes electrónicos y pilas (si aplicable)

Todas las piezas (salvo las pilas), si hay, de esta llave de agua Delta® están garantizadas al consumidor comprador original de estar libres de defectos en materiales y fabricación durante 5 años a partir de la fecha de compra o, para los usuarios comerciales, por un año a partir de la fecha de compra. No se garantizan las pilas.

Delta Faucet Company reemplazará, SIN CARGO, durante el período de garantía aplicable, cualquier pieza o acabado que pruebe tener defectos de material y/o fabricación bajo la instalación, uso y servicio normal. Si la reparación o su reemplazo no es práctico, Delta Faucet Company tiene la opción de reembolsarle su dinero por la cantidad del precio de compra a cambio de la devolución del producto. **Estos son sus únicos recursos.**

Delta Faucet Company recomienda que use los servicios de un plomero profesional para todas las instalaciones y reparaciones. También le recomendamos que utilice sólo las piezas de repuesto originales de Delta®.

Delta Faucet Company no será responsable por cualquier daño a la llave de agua que resulte del mal uso, abuso, negligencia o mala instalación o mantenimiento o reparación incorrecta, incluyendo el no seguir los cuidados aplicables y las instrucciones de limpieza.

Las piezas de repuesto se pueden obtener llamando al número correspondiente más abajo, o escribiendo a:

#### En los Estados Unidos y México:

Delta Faucet Company  
Product Service  
55 E. 111th Street  
Indianapolis, IN 46280  
1 800 345 DELTA (3358)  
customerservice@deltafaucet.com

#### En Canadá:

Masco Canada Limited, Plumbing Group  
Technical Service Centre  
350 South Edgeware Road  
St. Thomas, Ontario, Canada N5P 4L1  
1-800-345-DELTA (3358)  
customerservice@mascoincanada.com

La prueba de compra (recibo original) del comprador original debe ser disponible a Delta Faucet Company para todos los reclamos a menos que el comprador haya registrado el producto con Delta Faucet Company. Esta garantía le aplica sólo a las llaves de agua de Delta® fabricadas después del 1 de enero 1995 e instaladas en los Estados Unidos de América, Canadá y México.

DELTA FAUCET COMPANY NO SE HACE RESPONSABLE POR CUALQUIER DAÑO ESPECIAL, INCIDENTAL O CONSECUENTE (INCLUYENDO LOS GASTOS DE MANO DE OBRA) POR EL INCUMPLIMIENTO DE CUALQUIER GARANTÍA EXPRESA O IMPLÍCITA DE LA LLAVE DE AGUA. Algunos estados/provincias no permiten la exclusión o limitación de daños especiales, incidentales o consecuentes, por lo que estas limitaciones y exclusiones pueden no aplicarle a usted. Esta garantía le otorga derechos legales. Usted también puede tener otros derechos que varían de estado/provincia a estado/provincia.

Esta es la garantía exclusiva por escrito de Delta Faucet Company y la garantía no es transferible.

Si usted tiene alguna pregunta o inquietud acerca de nuestra garantía, por favor, vea nuestra sección de preguntas frecuentes FAQ sobre la garantía en [www.deltafaucet.com](http://www.deltafaucet.com), también puede enviarnos un correo electrónico a [customerservice@deltafaucet.com](mailto:customerservice@deltafaucet.com) o llámenos al número que le corresponda anteriormente incluido.

© 2017 Delta Faucet Company de Indiana

## Dispositif anti-siphonnage

Votre douche à main Delta® est munie d'un dispositif anti-siphonnement qui est conforme aux normes ASMEA112.18.3 et ASMEA112.18.1/CSAB125.1. Ce dispositif se compose de deux clapets indépendants homologués, montés en série dans le tube rigide, qui sont non réparables.

### Garantie limitée des robinets Delta®

#### Pièces et finis

Toutes les pièces (à l'exception des composants électroniques et des piles) et tous les finis de ce robinet Delta® sont protégés contre les défauts du matériau et les vices de fabrication par une garantie qui est consentie au premier acheteur et qui demeure valide tant que celui-ci demeure propriétaire de la maison dans laquelle le robinet a été installé. Dans le cas d'une utilisation commerciale, la garantie est de 5 ans à compter de la date d'achat.

#### Composants électroniques et piles (le cas échéant)

Si ce robinet Delta® comporte des composants électroniques, ces composants (à l'exception des piles) sont protégés contre les défauts du matériau et les vices de fabrication par une garantie consentie au premier acheteur qui est d'une durée de 5 ans à compter de la date d'achat. Dans le cas d'une utilisation commerciale, la garantie est d'un an à compter de la date d'achat. Aucune garantie ne couvre les piles.

Delta Faucet Company remplacera, GRATUITEMENT, pendant la période de garantie applicable, toute pièce ou tout fini qui présentera une défectuosité du matériau et/ou un vice de fabrication pour autant que le robinet ait été installé, utilisé et entretenu normalement. S'il est impossible de réparer ou de remplacer le robinet, Delta Faucet Company pourra décider de rembourser le prix d'achat du produit pour autant que celui-ci lui soit retourné. **Il s'agit de vos seuls recours.**

Delta Faucet Company recommande de confier l'installation et la réparation à un plombier professionnel. Nous vous recommandons également d'utiliser uniquement des pièces de rechange authentiques Delta®.

Delta Faucet Company se dégage de toute responsabilité à l'égard des dommages causés au robinet en raison d'un mauvais usage, d'un usage abusif, de la négligence ou de l'utilisation d'une méthode d'installation, de maintenance ou de réparation incorrecte ou inadéquate, y compris les dommages résultant du non-respect des instructions de nettoyage et d'entretien applicables. Pour obtenir des pièces de rechange, veuillez appeler au numéro applicable ci-dessous ou écrire à l'adresse applicable ci-dessous.

#### Aux États-Unis et au Mexique :

Delta Faucet Company  
Product Service  
55 E. 111th Street  
Indianapolis, IN 46280  
1-800-345-DELTA (3358)  
customerservice@deltafaucet.com

#### Au Canada:

Masco Canada Limited, Plumbing Group  
Technical Service Centre  
350 South Edgeware Road  
St. Thomas, Ontario, Canada N5P 4L1  
1-800-345-DELTA (3358)  
customerservice@mascoincanada.com

La preuve d'achat (reçu original) du premier acheteur doit être présentée à Delta Faucet Company pour toutes les demandes en vertu de la garantie, sauf si le produit a été enregistré auprès de Delta Faucet Company. La présente garantie s'applique uniquement aux robinets Delta® fabriqués après le 1er janvier 1995 et installés aux États-Unis d'Amérique, au Canada et au Mexique.

DELTA FAUCET COMPANY SE DÉGAGE DE TOUTE RESPONSABILITÉ À L'ÉGARD DES DOMMAGES PARTICULIERS, CONSÉCUTIFS OU INDIRECTS (Y COMPRIS LES FRAIS DE MAIN-D'ŒUVRE) QUI POURRAIENT RÉSULTER DE LA VIOLATION D'UNE GARANTIE IMPLICITE OU EXPLICITE QUELCONQUE SUR LE ROBINET. Dans les États ou les provinces où il est interdit de limiter ou d'exclure la responsabilité à l'égard des dommages particuliers, consécutifs ou indirects, les limites et les exclusions susmentionnées ne s'appliquent pas. La présente garantie vous donne des droits précis qui peuvent varier selon l'État ou la province où vous résidez.

La présente garantie écrite est la garantie exclusive offerte par Delta Faucet Company et elle n'est pas transférable.

Si vous avez des questions ou des préoccupations en ce qui concerne notre garantie, veuillez consulter la page Warranty FAQs à [www.deltafaucet.com](http://www.deltafaucet.com), faire parvenir un courriel à [customerservice@deltafaucet.com](mailto:customerservice@deltafaucet.com) ou nous appeler au numéro applicable.

© 2017 Delta Faucet Company de Indiana