

Electronic Basin/Sink Faucet 3000T & 3001T Series Adjustable Program

TECK[®]
COMMERCIAL



Specification: (example)

- **Battery** (4 'C' cell) or **Hardwire** (24 VAC) infrared electronic handwash system
 - H₂OPTICS™ technology – no external adjustments required
 - Chrome plated one piece cast main body with integral sensor and rigid spout
 - Field adjustable water resistant program controller with LCD screen
 - Controller retains adjusted settings in event of power failure
 - Visual battery strength indicator
 - Forged brass solenoid valve (control box No. 0 only)
 - Tempered water supplied to solenoid valve, (except control box options No. 0, 1 and 2)
- and... with... (specify battery or hardwire)
 with... (add spout required)
 with... (add outlet required)
 with... (add control box required)
 with... (add suffix **-KS** if required - See Back Page)
 with... (add suffix **-HP** if required - See Back Page)
 with... (transformer - specify separately - See Back Page)



3001T3470A

Engineer/Architect Approval





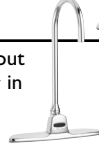


Model Specified:

Approval:

Date:

DESCRIPTION	PRODUCT NO.				
Hardwire	3000T3				A
Battery Operated	3001T3				A
Hardwire with Battery Backup	3000T3				A -BB



SPOUT & SENSOR		OUTLET		CONTROL BOX	
0	<input type="checkbox"/>	0	<input type="checkbox"/>	0	Base Model with Surface ★ount Housing* SEE Specification Drawing #5 (3) <input type="checkbox"/>
1	<input type="checkbox"/>	1	<input type="checkbox"/>	1	For RECESSED MOUNTING Components ASSEMBLED in 10" Box w/S/S Cover.* SEE Specification Drawing #6 <input type="checkbox"/>
2	<input type="checkbox"/>	2	Vandal Resistant 1.5 USGPM (5.7 L/min) Laminar w/Agion* Antimicrobial  <input type="checkbox"/>	2	For SURFACE MOUNTING Components ASSEMBLED in 10" Box w/Aluminum Cover.* SEE Specification Drawing #6 <input type="checkbox"/>
3	(R5) Single Hole Deckmount Gooseneck Spout with Integral Sensor in Base (2)  <input type="checkbox"/>	3	Vandal Resistant 1.5 USGPM (5.7 L/min) Flow Control Aerator  <input type="checkbox"/>	3	<input type="checkbox"/>
4	(R5) Deckmount Gooseneck Spout with Integral Sensor in Base and 4" Forged Coverplate (2)  <input type="checkbox"/>	4	<input type="checkbox"/>	4	<input type="checkbox"/>
5	(R5) Gooseneck Spout with Integral Sensor in Base and 8" Forged Coverplate (2)  <input type="checkbox"/>	5	<input type="checkbox"/>	5	<input type="checkbox"/>
6	<input type="checkbox"/>	6	<input type="checkbox"/>	6	For RECESSED MOUNTING Components & Mechanical Mixing Valve (1) ASSEMBLED in 10" Box w/S/S Cover. SEE Specification Drawing #7 <input type="checkbox"/>
7	<input type="checkbox"/>	7	Smooth End, Laminar Flow Control in Base of Gooseneck Spout 1.5 USGPM (5.7 L/min.)  <input type="checkbox"/>	7	For SURFACE MOUNTING Components & Mechanical Mixing Valve (1) ASSEMBLED in 10" Box w/Aluminum Cover. SEE Specification Drawing #7 <input type="checkbox"/>
8	<input type="checkbox"/>	8	Smooth End, Laminar Flow Control in Base of Gooseneck Spout 0.5 USGPM (1.9 L/min.)  <input type="checkbox"/>	8	For RECESSED MOUNTING Components & Thermostatic Mixing Valve ASSEMBLED in 10" Box w/S/S Cover. SEE Specification Drawing #8 <input type="checkbox"/>
9	<input type="checkbox"/>	9	<input type="checkbox"/>	9	For SURFACE MOUNTING Components & Thermostatic Mixing Valve ASSEMBLED in 10" Box w/Aluminum Cover. SEE Specification Drawing #8 <input type="checkbox"/>

* **Mixing Valve** supplied by others. Flowrates are at 60 PSI.
 (1) With Thermostatic Limit Stop. (2) Optional spouts R3, R4, R7 and R35 **only** available in this series due to fixed gooseneck supplied. (3) Hydro Power* available. Add suffix **-HP**.
 Refer to www.specselect.com for individual models. Note: Use this page front and back, with specification drawing page referenced above, as product submittal sheets.

Delta reserves the right (1) to make changes in specifications and materials, and (2) to change or discontinue models, both without notice or obligation. Dimensions are for reference only. See current full-line price book or www.specselect.com for finish options and product availability.



TECK[®]
COMMERCIAL

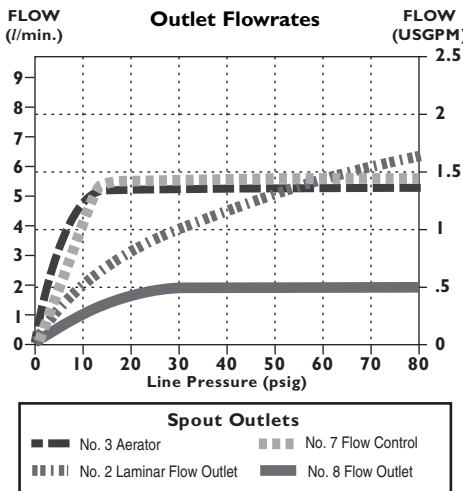
Electronic Basin/Sink Faucet 3000T & 3001T Series Adjustable Program

Approvals:

- CSA certified
- Complies to ASME A112.18.1
- ADA Compliant and meets Handicapped Accessibility Standard ASME A117.1 of less than 5 lbs. handle operating force.
- IAPMO listed
- Control Box Option 6 & 7 Mechanical Mixing Valve CSA certified
- Control Box Option 8 & 9 Thermostatic Mixing Valve CSA certified and meets ASSE 1016, 1017, 1070

(Contact Delta Representative for State and/or Local Approvals.)

FLOWRATE vs PRESSURE



OPERATION: (Optional Adjustments)

- Water flows when sensor is activated.
- Water flow stops at the selected run-on time after user removes hands from sensing zone. Run-on time selections are 0 to 8 seconds or 1 to 8 minutes for scrub-up applications. Factory set to 0 seconds.
- Blocking time between uses has selectable range of 1 to 8 seconds. Factory set to 1 second.
- Adjustable response time.
- Auto shut-off feature.
- Optional metered program mode with selection of 7 to 240 seconds of continuous operation.
- Adjustable sensing distance 76 to 381mm (3" to 15") factory set to 254mm (10") (+/- 1.0")

GOOSENECK SPOUT ASSEMBLIES

Spout/Outlet	"A"		"C"		"L"	
	mm	in.	mm	in.	mm	in.
Gooseneck-Standard (R5) for Outlet #2,3	152	6	124	4.9	188	7.4
Gooseneck-Standard (R5) for Outlet #7 and 8	152	6	117	4.6	196	7.7

Note: Measurements may vary ± 6mm (0.25")

Refer to www.specselect.com for individual models. Product supplied as shown by solid lines. All items shown by dotted lines supplied by others.

GOOSENECK SPOUT #3

with Outlet #2 and 3

with Outlet #7 and 8

3000T3421A Typical Installation

3 POSITION SWITCH
 Add suffix **"-KS"** to Product Number for Keyed Switch
 See **DSP-ELACC Rev.A** for detailed specification

GOOSENECK SPOUT #4 & #5

HYDRO POWER™
 Add suffix **"-HP"** to Product Number for Hydro Power™. See **DSP-HP** for detailed specification. Available on Battery Powered #0 Control Box and #2, 3, 7 outlets only.

HARDWIRE WITH BATTERY BACKUP
 Add suffix **"-BB"** to Product Number. See **DSP-BB** for detailed specification.

with Outlet #2 and 3

with Outlet #7 and 8

OUTLET NO.	"D"	
	mm	in.
2	18	0.69
3	18	0.69

3000T & 3001T ELECTRONIC FAUCET OPTIONAL ACCESSORIES:

✓	TRANSFORMERS:
	060704A 110 to 24VAC Class II 20VA (Up to 5 Electronic Valves)
	060771A 110 to 24VAC Class II 40VA (Up to 10 Electronic Valves)
	060772A 110 to 24VAC Class II 100VA (Up to 25 Electronic Valves)
✓	CORDS:
	060690A 36" Cable Extension

COMPONENTS ONLY UNASSEMBLED

3000T AND 3001T SERIES: ADJUSTABLE PROGRAM

✓	PRODUCT NO.				VALVE TYPE	COVER
	3000T	3		0	A	Deckmount Handwash Hardwire
	3001T	3		0	A	Deckmount Handwash Battery

3000T and 3001T SERIES

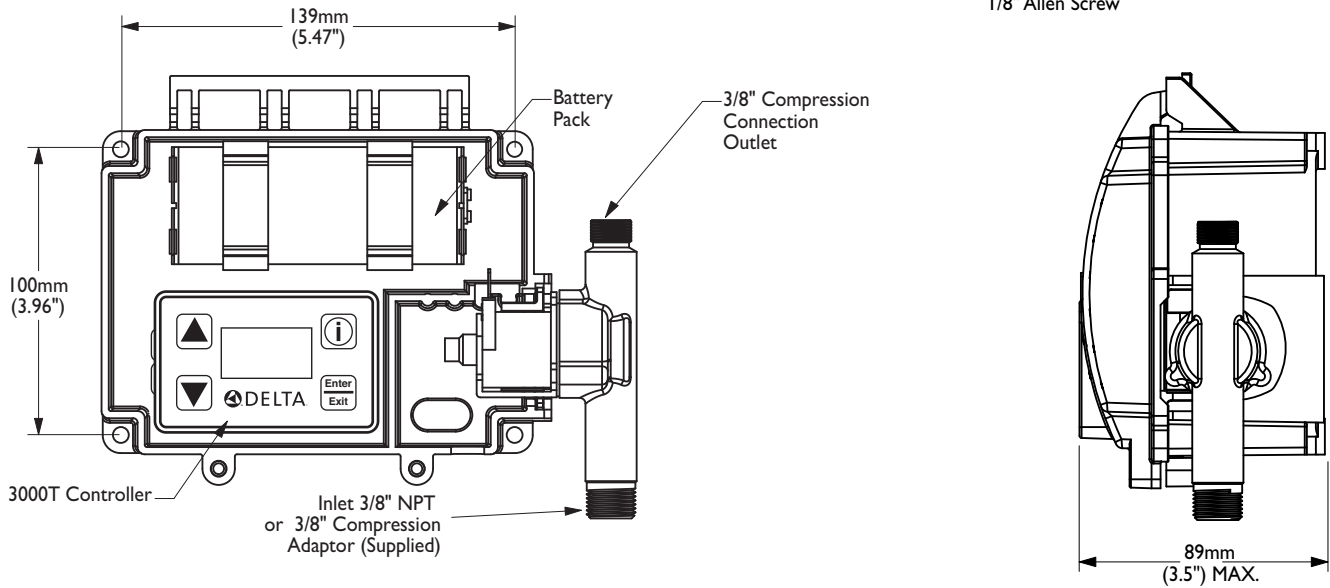
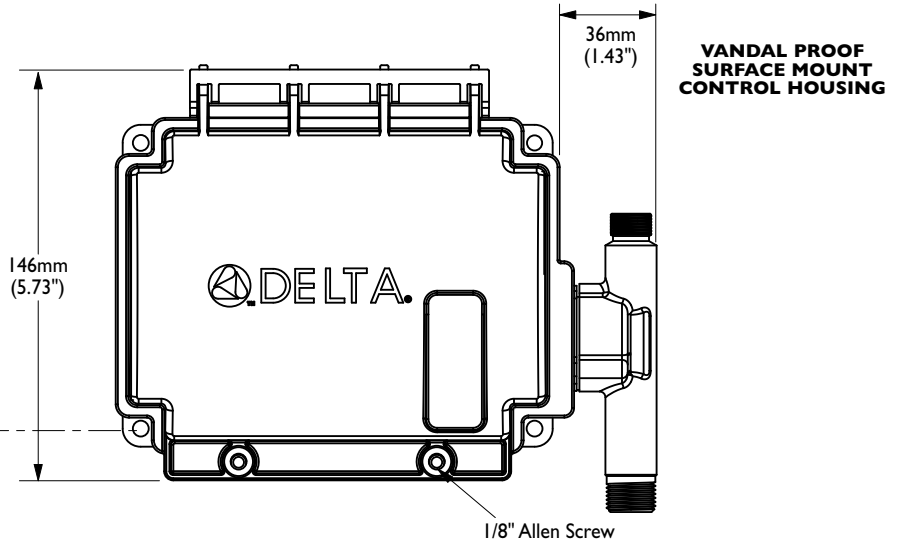
Battery Operated box shown.

Hardwire Version
comes complete with Watertight Connector and Hardwire Converter 24VAC to 6VDC.

Hardwire with Battery Backup (-BB) comes complete with Watertight Connector, Hardwire Converter 24VAC to 6VDC and 9V battery. See **DSP-BB**.

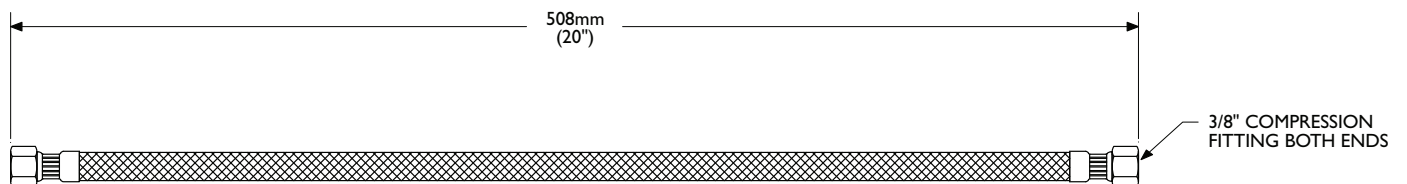
Hydro Power™ Version
comes with Generator Assembly, Power Module and 3/8" compression x 1/2" FIP Hose. See **DSP-HP**.

Recommended 381mm (15" max.) to top of counter



Note: Stainless Steel hose connection supplied between Solenoid Valve and Spout

S/S HOSE



Note: Measurements may vary $\pm 6\text{mm}$ (0.25")

TEMPERED WATER - ASSEMBLED CONTROL BOX
3000T AND 3001T SERIES: ADJUSTABLE PROGRAM

✓	PRODUCT NO.					FAUCET TYPE	MOUNT TYPE	COVER		
	*3000T	3			1	A	Deckmount Handwash Hardwire	Recessed Mount	305mm (12")	Stainless Steel
	3000T	3			2	A	Deckmount Handwash Hardwire	Surface Mount	254mm (10")	Aluminum
	*3001T	3			1	A	Deckmount Handwash Battery	Recessed Mount	305mm (12")	Stainless Steel
	3001T	3			2	A	Deckmount Handwash Battery	Surface Mount	254mm (10")	Aluminum
*This product is supplied with Flexible Sensor Cord Conduit on Recessed Mount Installations.										

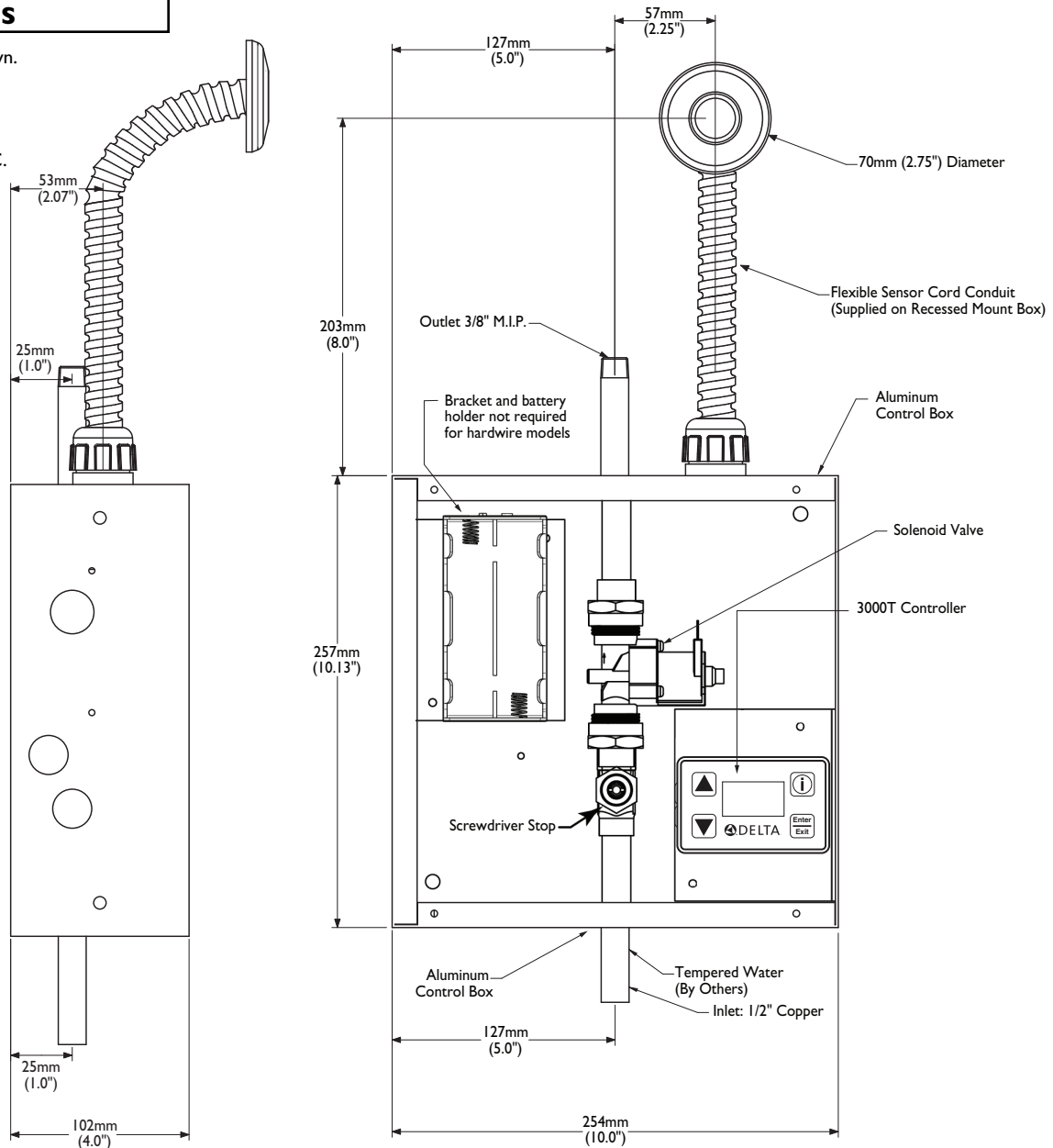
3000T AND 3001T SERIES

Battery Operated box shown.

Hardwire Version comes complete with Watertight Connector and Hardwire Converter 24VAC to 6VDC.

Hardwire with Battery Backup (-BB) comes complete with Watertight Connector, Hardwire Converter 24VAC to 6VDC and 9V battery. See **DSP-BB**.

Connection from box to spout by others.



Note: For wallhung sink installations, sensor conduit rough-in should be directly under basin to minimize sensor cord exposure.

Note: Measurements may vary ± 6mm (0.25")

MECHANICAL MIXING VALVE ASSEMBLED CONTROL BOX

3000T AND 300IT SERIES: ADJUSTABLE PROGRAM

✓	PRODUCT NO.						FAUCET TYPE	MOUNT TYPE	COVER
	*3000T	3			6	A	Deckmount Handwash Hardwire	Recessed Mount	305mm (12") Stainless Steel
	3000T	3			7	A	Deckmount Handwash Hardwire	Surface Mount	254mm (10") Aluminum
	*300IT	3			6	A	Deckmount Handwash Battery	Recessed Mount	305mm (12") Stainless Steel
	300IT	3			7	A	Deckmount Handwash Battery	Surface Mount	254mm (10") Aluminum
*This product is supplied with Flexible Sensor Cord Conduit on Recessed Mount Installations.									

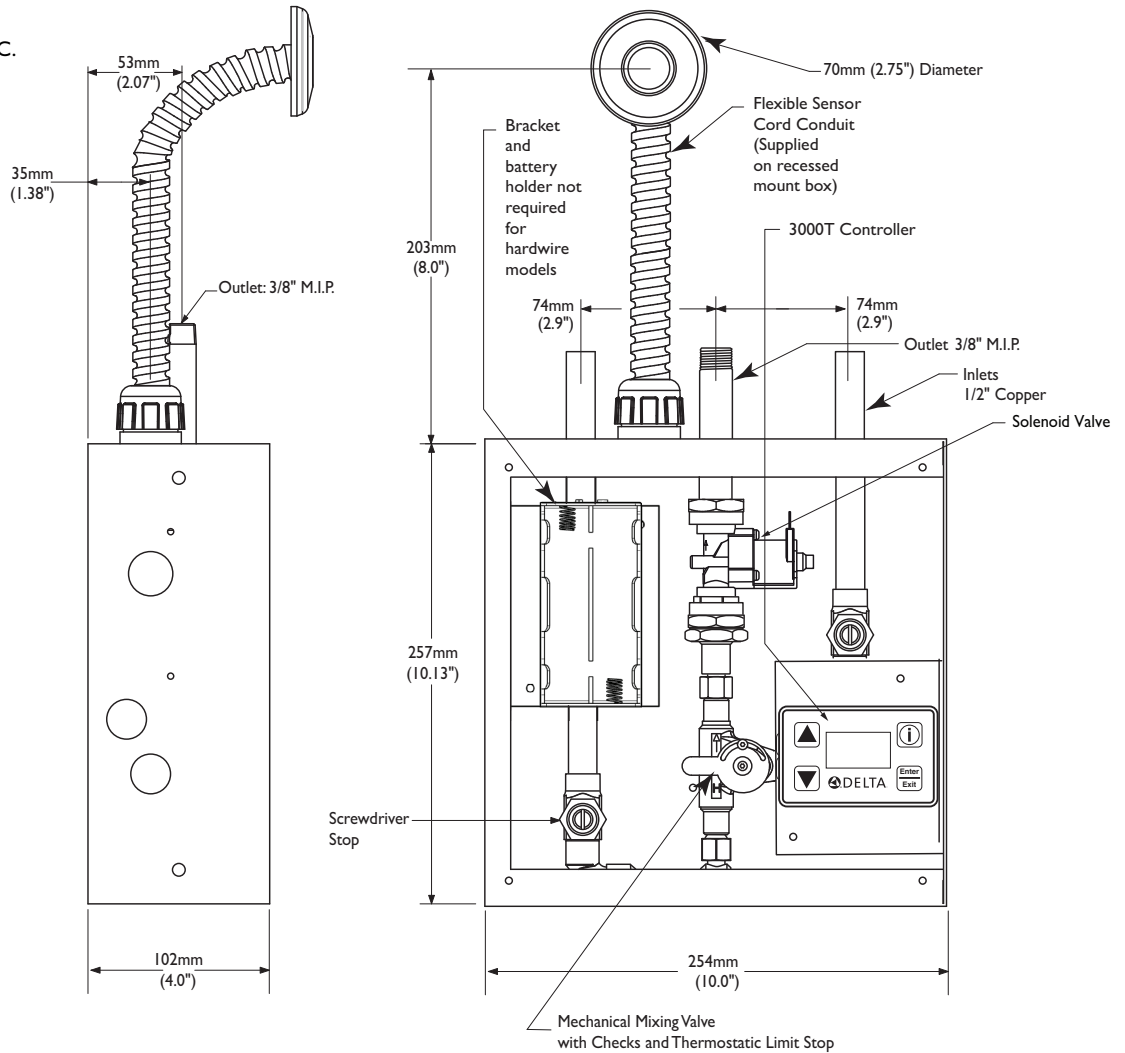
3000T and 300IT SERIES

Battery Operated box shown.

Hardwire Version comes complete with Watertight Connector and Hardwire Converter 24VAC to 6VDC.

Hardwire with Battery Backup (-BB) comes complete with Watertight Connector, Hardwire Converter 24VAC to 6VDC and 9V battery. See DSP-BB.

Connection from box to spout by others.



Note: For wallhung sink installations, sensor conduit rough-in should be directly under basin to minimize sensor cord exposure.

Note: Measurements may vary ± 6mm (0.25")

THERMOSTATIC MIXING VALVE ASSEMBLED CONTROL BOX
3000T AND 3001T SERIES: ADJUSTABLE PROGRAM

✓	PRODUCT NO.					FAUCET TYPE	MOUNT TYPE	COVER		
	*3000T	3			8	A	Deckmount Handwash Hardwire	Recessed Mount	305mm (12")	Stainless Steel
	3000T	3			9	A	Deckmount Handwash Hardwire	Surface Mount	254mm (10")	Aluminum
	*3001T	3			8	A	Deckmount Handwash Battery	Recessed Mount	305mm (12")	Stainless Steel
	3001T	3			9	A	Deckmount Handwash Battery	Surface Mount	254mm (10")	Aluminum

*This product is supplied with Flexible Sensor Cord Conduit on Recessed Mount Installations.

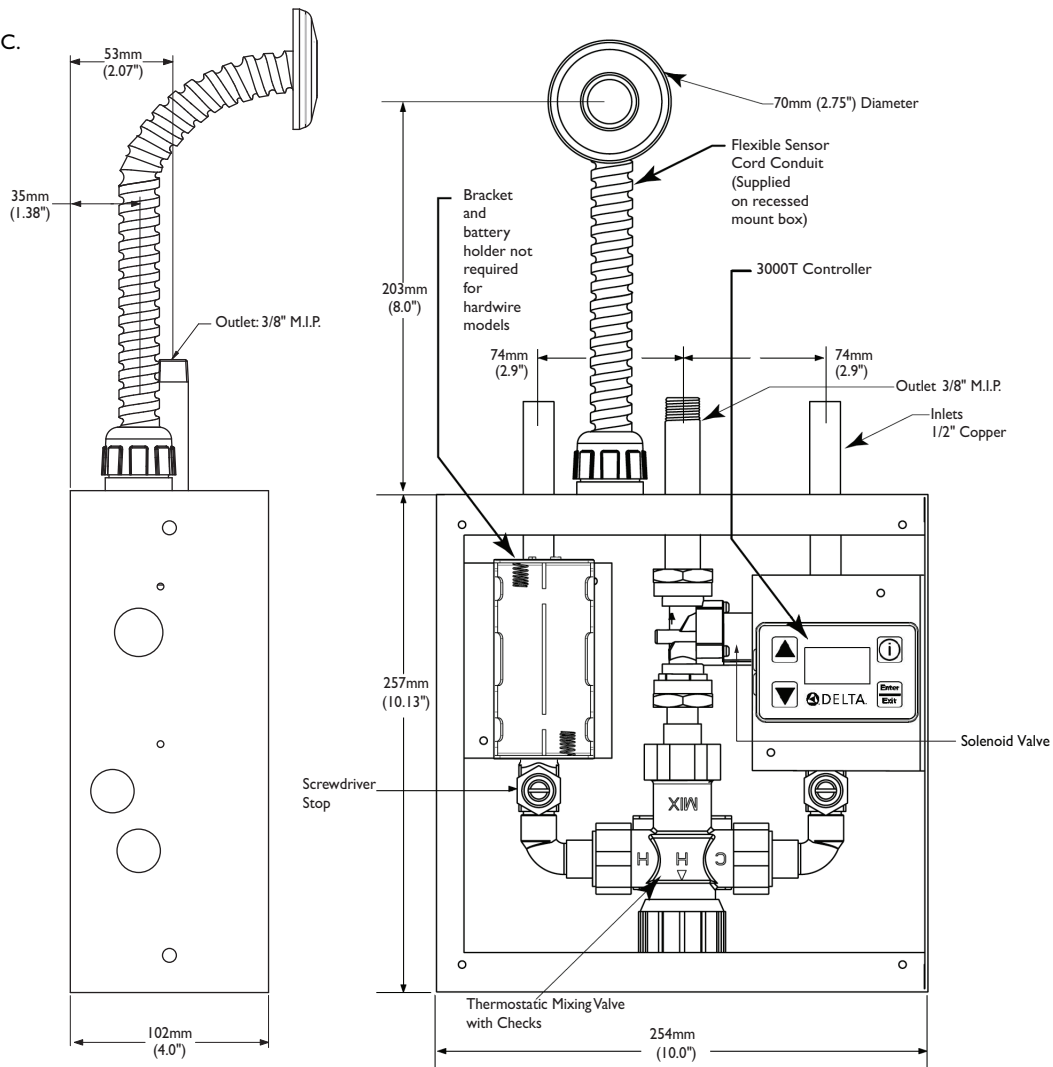
3000T and 3001T SERIES

Battery Operated box shown.

Hardwire Version comes complete with Watertight Connector and Hardwire Converter 24VAC to 6VDC.

Hardwire with Battery Backup (-BB) comes complete with Watertight Connector, Hardwire Converter 24VAC to 6VDC and 9V battery. See DSP-BB.

Connection from box to spout by others.



Note: For wallhung sink installations, sensor conduit rough-in should be directly under basin to minimize sensor cord exposure.

Note: Measurements may vary ± 6mm (0.25")