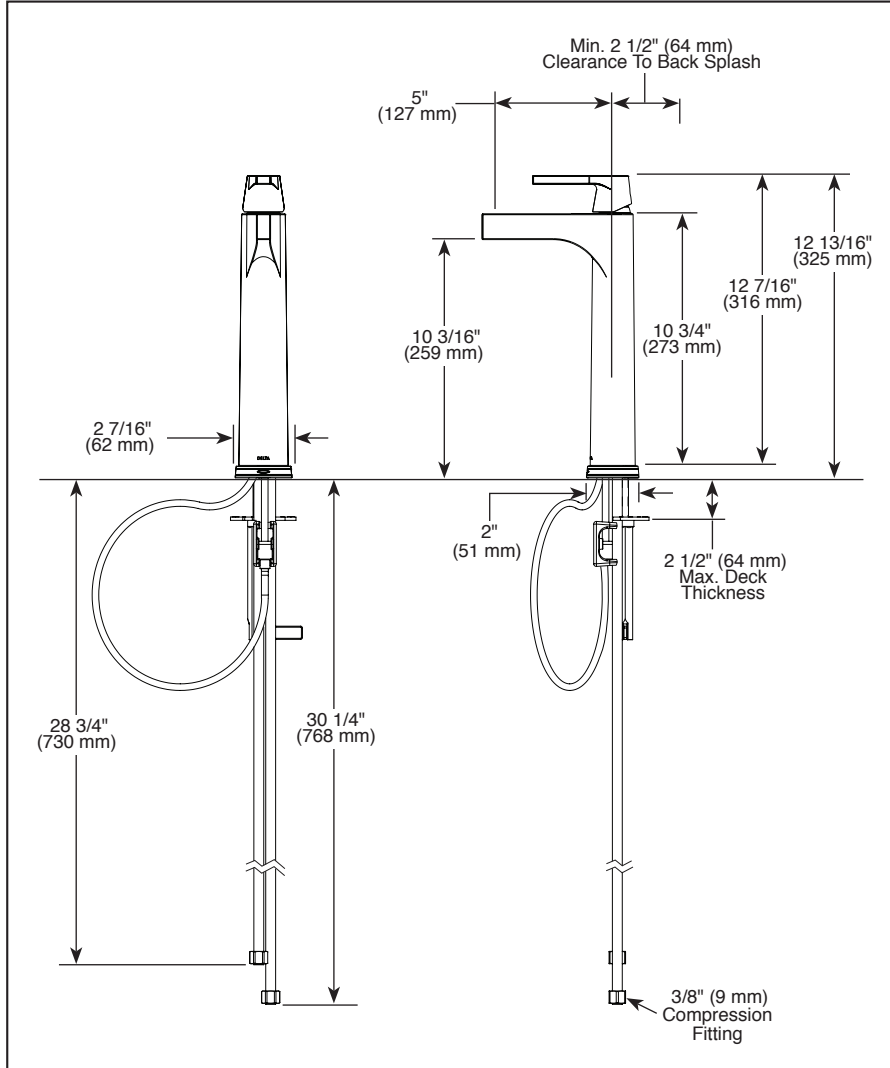


Submitted Model No.: _____

Specific Features: _____



▲ Designate Proper Finish Suffix



LAVATORY FAUCETS

- Zura™ Bath Collection
- Single Handle Deck Mount Vessel
- Single Hole Mount

FEATURES:

- Touch₂O_{xt}® Technology
- DIAMOND Seal® Technology

STANDARD SPECIFICATIONS:


- Maximum 1.20 gpm @ 60 psi, 4.50 L/min @ 414 kPa
- 1 1/8" minimum - 1 1/2" maximum hole size.
- Control mechanism is the diamond embedded ceramic disc cartridge.
- 3/8" O.D. straight, staggered PEX supply tubes 28 3/4" (730 mm) and 30 1/4" (768 mm) long.
- Delta Touch₂O_{xt}™ Technology offers both touch and proximity sensing technology to control water flow.
- Blue light flashes for proximity activation and solid blue for touch activation.
- On-Off indicator light signals red when batteries are low.
- Uses 6 AA batteries (included).
- Red/blue indicators.
- Drain sold separately.

WARRANTY

- Lifetime limited warranty on parts (other than electronic parts and batteries) and finishes: or, for commercial users, for 5 years from date of purchase.
- 5 year limited warranty on electronic parts (other than batteries); or, for commercial users, for 1 year from the date of purchase. No warranty is provided on batteries.



COMPLIES WITH:

- ASME A112.18.1 / CSA B125.1
- Indicates compliance to  ICC/ANSI A117.
- Verified compliant with .25% weighted average wetted Pb content regulations.
- EPA WaterSense®

Delta reserves the right (1) to make changes in specifications and materials, and (2) to change or discontinue models, both without notice or obligation. Dimensions are for reference only. See current full-line price book or www.deltafaucet.com for finish options and product availability.

DSP-L-774T-DST Rev. A



55 E. 111th Street, Indianapolis, Indiana 46280
350 South Edgeware Road, St. Thomas, ON N5P 4L1
© 2016 Masco Corporation of Indiana